

mody

ELECTRIC SUBMERSIBLE VORTEX STAINLESS STEEL

MSVSS NON-CLOG VORTEX SLUDGE PUMP SERIES 316 STAINLESS STEEL 50 HZ

PORTABLE ELECTRIC
SUBMERSIBLE SLUDGE PUMP
FOR
CORROSIVE & ABRASIVE
APPLICATIONS

PH Range of 3-11

DESIGN ADVANTAGES

- 316 Stainless Steel (CF8M) Construction for maximum corrosion resistance.
- 316 Stainless Steel (CF8M) Vortex Impeller.
- Double Silicon Carbide/Silicon Carbide and Carbon/Ceramic Mechanical seals.
- External Oil Seal for added protection against abrasives.
- Viton® Elastomers
- Automatic ON/OFF/ON Thermal Overloads in Single Phase Motors with Automatic On/Off In-Built Float.
- CLASS H 180°C Motor Insulation– Invertor Duty Rated
- Dual Wired 240/480v Continuous Duty Rated Motors
- Hi-Torque Single Phase Split Capacitor Motor design
- 50 feet of power cable with plug (Single Phase)
- Built-in Automatic ON/OFF Float in Single Phase Pumps.
- Permanent Wet Well Guide Rail Installation Optional.



0.5 -1HP



2HP



3 - 5HP



7.5 -10HP

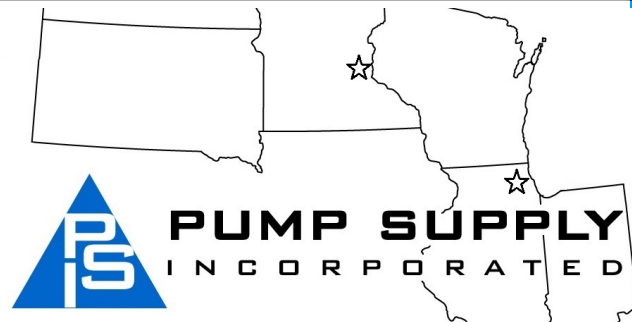
Illinois Location:

(847) 841-7867
860 Church Rd Elgin, IL 60120

Minnesota Location:

(651) 758-7867
330 Mill Bay South Suite
Afton, MN 55001

PumpSupplyInc.com

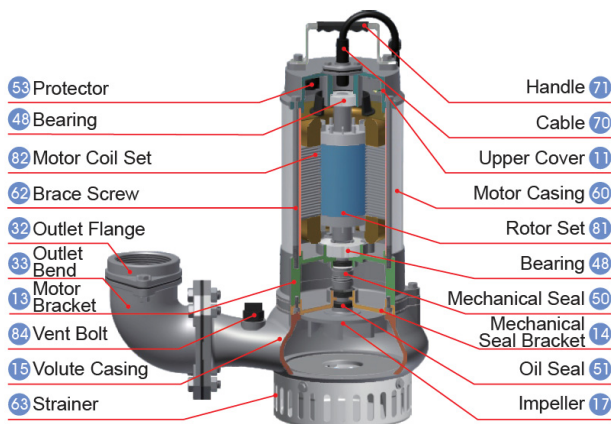


mody

ELECTRIC SUBMERSIBLE VORTEX STAINLESS STEEL

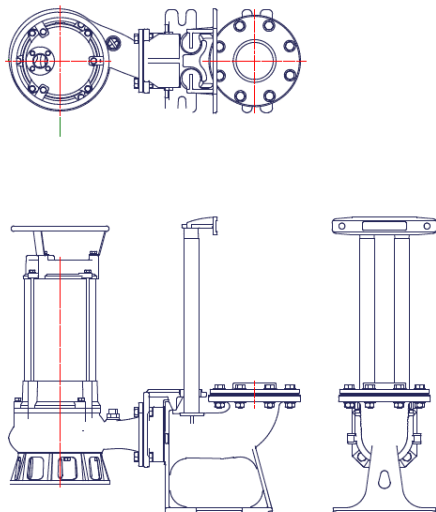
NON-CLOG / SLUDGE SERIES 0.5 - 10 HP (0.4 - 7.5kW)

PORTABLE INSTALLATION



Max. Sphere Size 35 - 50mm/1.4" - 2"

PERMANENT INSTALLATION



NON-CLOG MSVSS SERIES

MATERIALS OF CONSTRUCTION AND ENGINEERING DATA

MOTOR

2-pole induction **continuous rated** motor with squirrel cage rotor.
Stator insulation class 'H' (180°C)
Speed : 3400 RPM @ 60 Hz, 2800 RPM @ 50 Hz
Power Rating : 0.5HP - 10HP @ 60 Hz, 0.4 - 7.5kW @ 50Hz Full Load
Current FLA: Refer To Chart
Max. temperature of the pump liquid : 104°F/40°C
Max. start/stop per hour : 15

POWER SUPPLY

3 phase, 50/60 Hz, AC Supply. Available in any voltage frequency combination. (120/208/220/230/380/415/460/575/1000V) Moisture sensor available in 3 Phase configurations only with thermal protection that require External Controls. In-Built bi-metallc switches in the winding which trips at excessively high motor temperatures in Single Phase Motors.

BALL BEARINGS

The rotor shaft is carried in two single row, deep groove ball bearings. The bearings are enclosed with high temperature grease-containing special Anti-corrosion additive.

POWER CABLE

Waterproof/oil proof, rubber-insulated, neoprene-sheathed copper conductor flexible cable, 50ft. (15m) length standard. Type SOOW in North America, EPR in the Middle East and HO7RN in the EU.

SHAFT SEAL

Double Silicon Carbide/Silicon Carbide and Carbon/Ceramic Mechanical seals.

CORROSION RESISTANT

Stator Casing: 316 Stainless Steel (CF8M)
Wear plate: 316 Stainless Steel (CF8M)
Shaft: 316 Stainless Steel (CF8M)
Hardware: 316 Stainless Steel (CF8M)
Impeller: Vortex Stainless Steel (CF8M)
Volute: 316 Stainless Steel (CF8M)
pH Range 3 - 11

SUBMERGENCE

Submergence below liquid surface: Refer to Chart Dimension H1

WEIGHTS

Refer to Specifications Chart

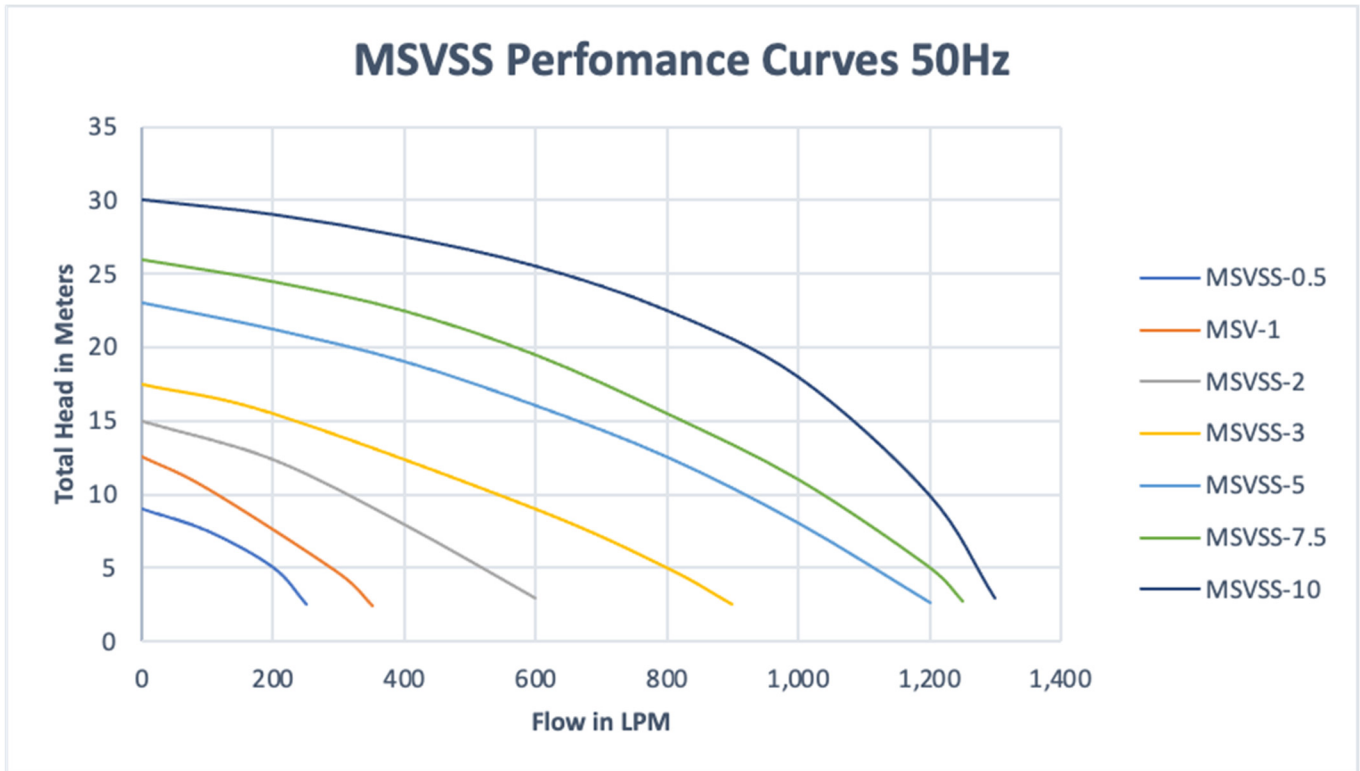


PUMP SUPPLY INCORPORATED



ELECTRIC SUBMERSIBLE VORTEX STAINLESS STEEL

MODY MSVSS SERIES PERFORMANCE CURVES 50 HZ



SPECIFICATIONS

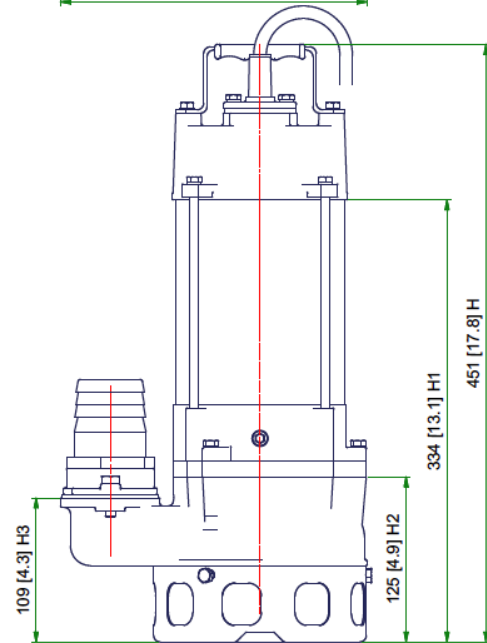
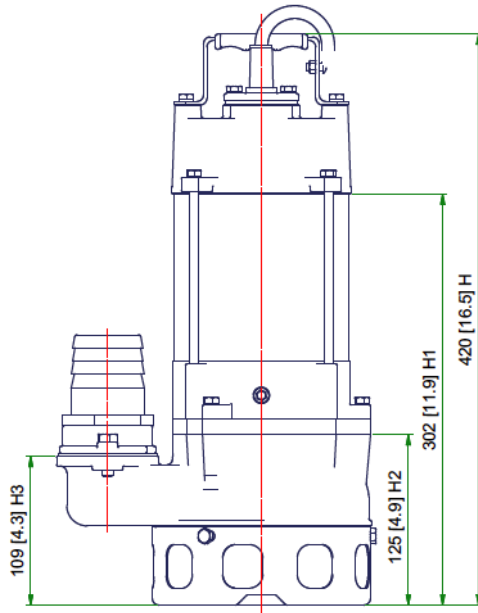
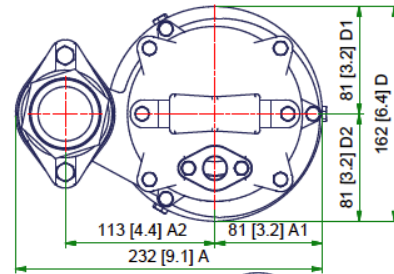
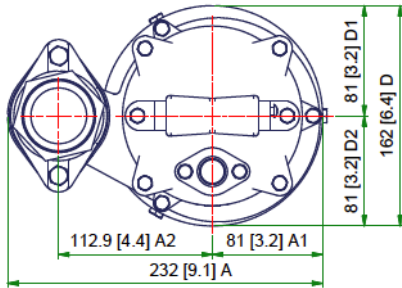
MODEL	KW	HP	Phase	Voltage	Amps	Auto Float	Frequency	Speed	Discharge	Solds Size in.	Solds Size mm	Weight Kg	Weight Lbs.
MSVSS05-1	0.4	0.5	1	220	7.5	Yes	50Hz	2850	2"	1.4	35	15	33
MSVSS1-1	0.75	1	1	220	11	Yes	50Hz	2850	2"	1.4	35	18	40
MSVSS1-3	0.75	1	3	400	2.2	Yes	50Hz	2850	2"	1.4	35	18	40
MSVSS2-1	1.5	2	1	220	12	NO	50Hz	2850	2"/3"	1.6	40	36	79
MSVSS2-3	1.5	2	3	400	3.5	NO	50Hz	2850	2"/3"	1.6	40	36	79
MSVSS3-3	2.2	3	3	400	5	NO	50Hz	2850	3"	1.75	45	60	132
MSVSS3-5	3.7	5	3	400	8	NO	50Hz	2850	3"	1.75	45	63	139
MSVSS4-7.5	5.5	7.5	3	400	11	NO	50Hz	2850	4"	2	50	73	161
MSVSS4-10	7.5	10	3	400	15	NO	50Hz	2850	4"	2	50	78	172



**PUMP SUPPLY
INCORPORATED**

mody

ELECTRIC SUBMERSIBLE VORTEX STAINLESS STEEL



MSVSS05-1

MSVSS1-1

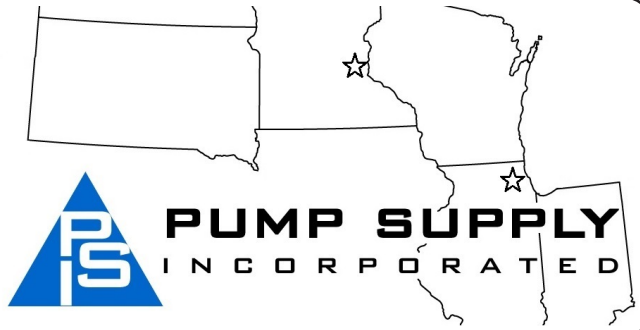
Illinois Location:

(847) 841-7867
860 Church Rd Elgin, IL 61

Minnesota Location:

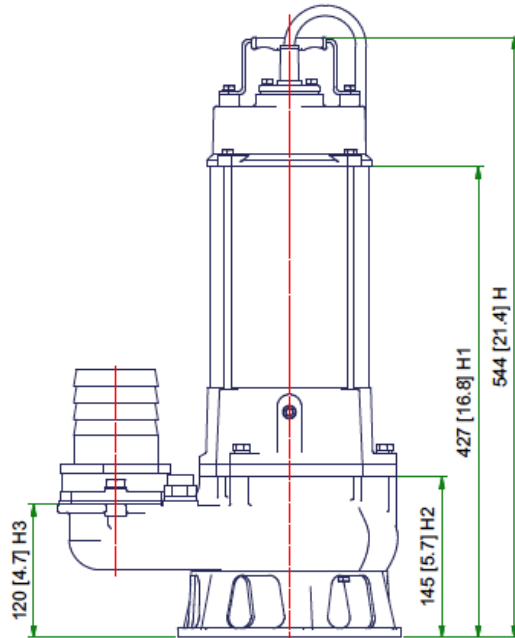
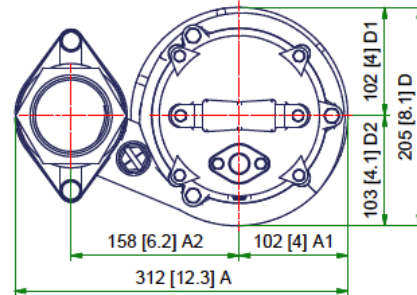
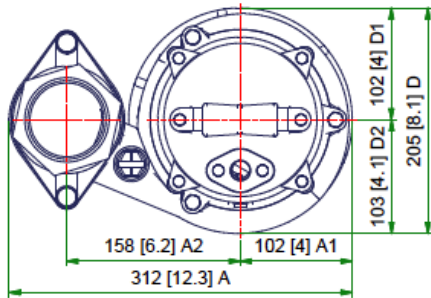
(651) 758-7867
330 Mill Bay South Suite
Afton, MN 55001

PumpSupplyInc.com

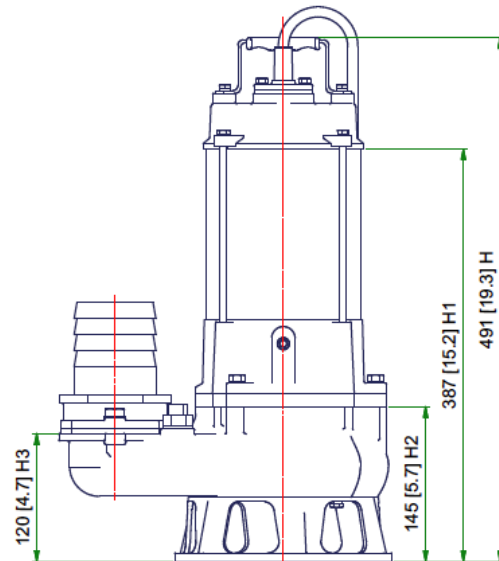


mody

ELECTRIC SUBMERSIBLE VORTEX STAINLESS STEEL



MSVSS2-1



MSVSS2-3

Illinois Location:
(847) 841-7867
860 Church Rd Elgin, IL 61

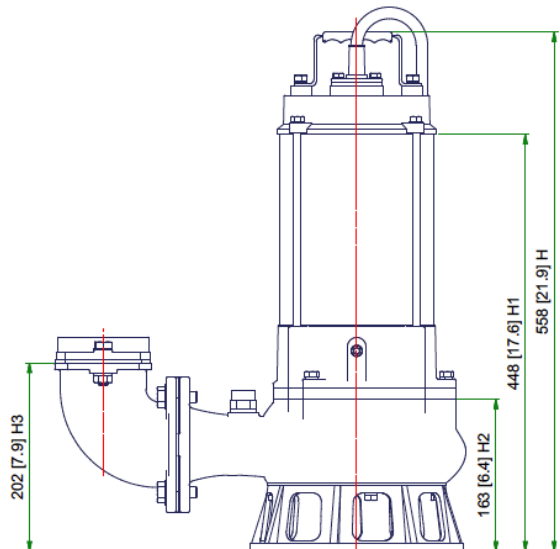
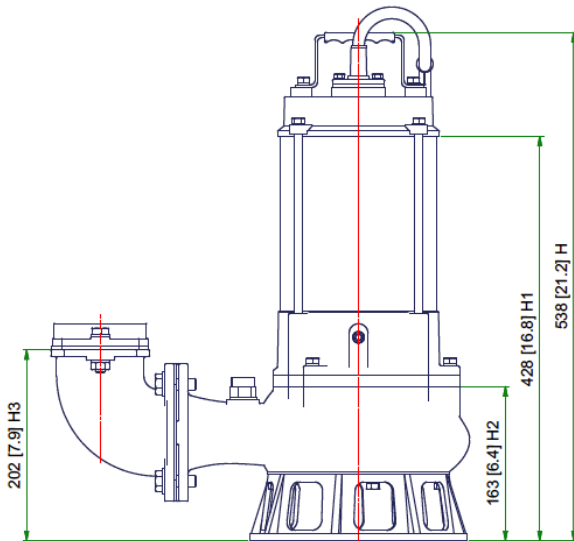
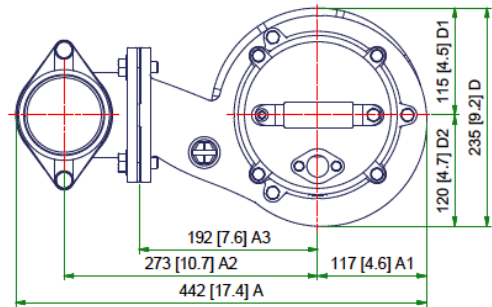
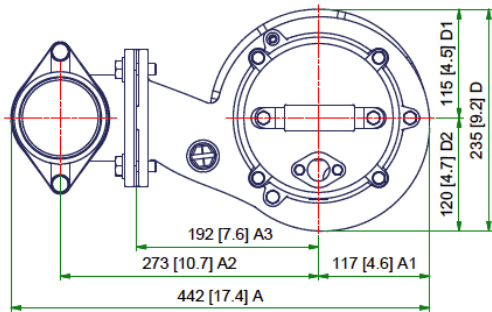
Minnesota Location:
(651) 758-7867
330 Mill Bay South Suite:
Afton, MN 55001

PumpSupplyInc.com



mody

ELECTRIC SUBMERSIBLE VORTEX STAINLESS STEEL



MSVSS3-3

MSVSS3-5

Illinois Location:

(847) 841-7867

860 Church Rd Elgin, IL 61

Minnesota Location:

(651) 758-7867

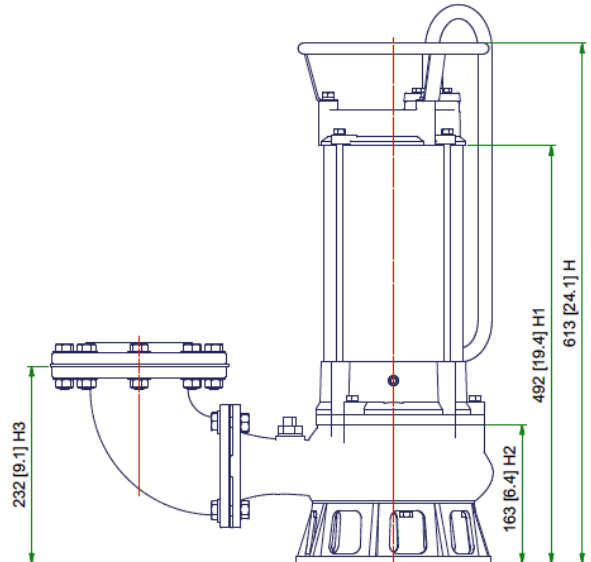
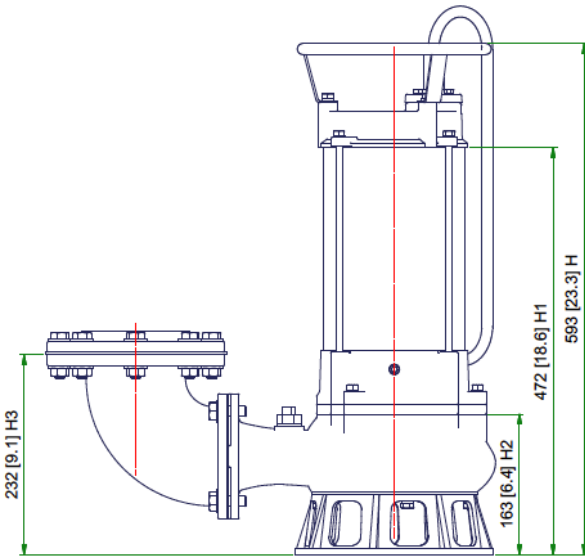
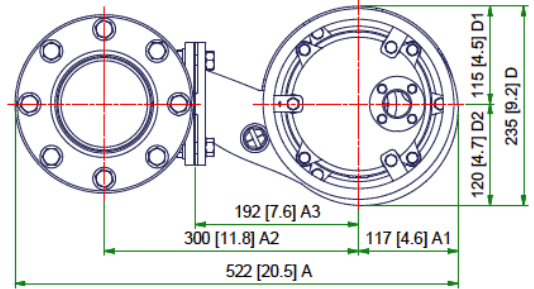
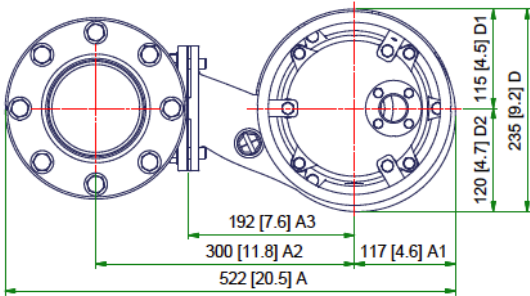
330 Mill Bay South Suite
Afton, MN 55001

PumpSupplyInc.com



mody

ELECTRIC SUBMERSIBLE VORTEX STAINLESS STEEL



MSVSS4-7.5

MSVSS4-10

Illinois Location:
(847) 841-7867
860 Church Rd Elgin, IL 60120

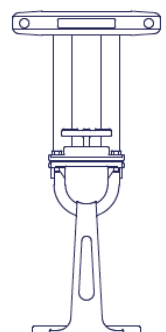
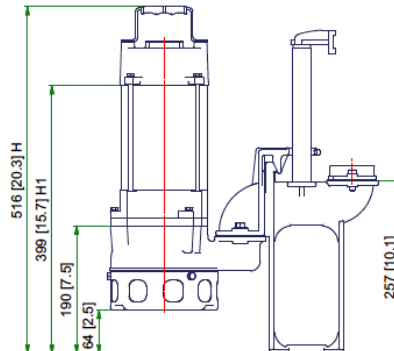
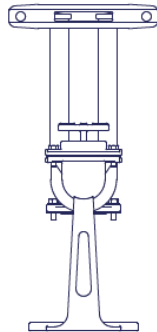
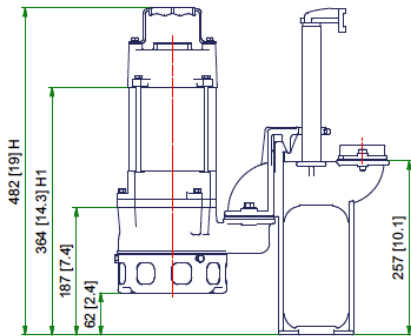
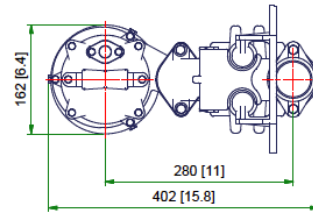
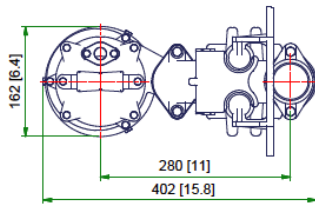
Minnesota Location:
(651) 758-7867
330 Mill Bay South Suite
Afton, MN 55001

PumpSupplyInc.com



mody

ELECTRIC SUBMERSIBLE VORTEX STAINLESS STEEL



TUS2" + MSVSS0.5-1

TUS2" + MSVSS1-1

Illinois Location:

(847) 841-7867
860 Church Rd Elgin, IL 61

Minnesota Location:

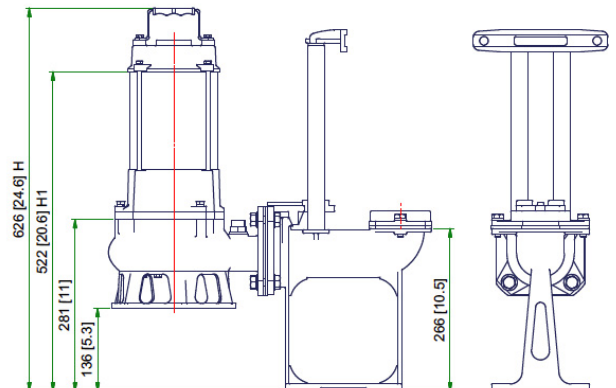
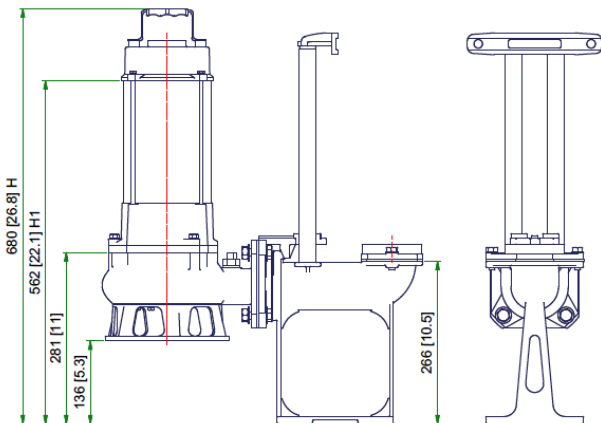
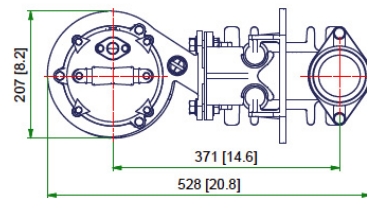
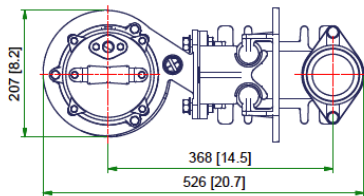
(651) 758-7867
330 Mill Bay South Suite
Afton, MN 55001

PumpSupplyInc.com



mody

ELECTRIC SUBMERSIBLE VORTEX STAINLESS STEEL



TUS3" + MSVSS2-1

TUS3" + MSVSS2-3

Illinois Location:
(847) 841-7867
860 Church Rd Elgin, IL 61

Minnesota Location:
(651) 758-7867
330 Mill Bay South Suite
Afton, MN 55001

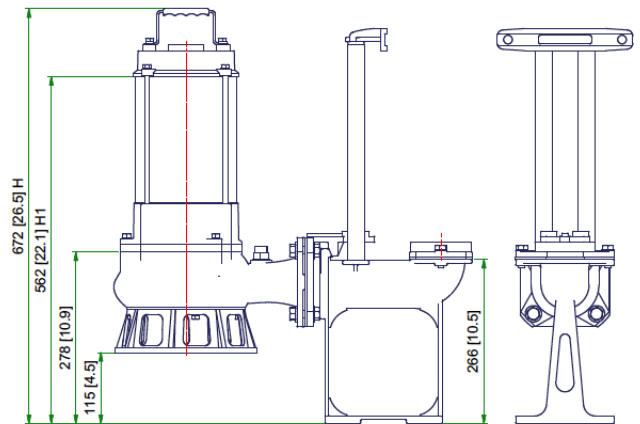
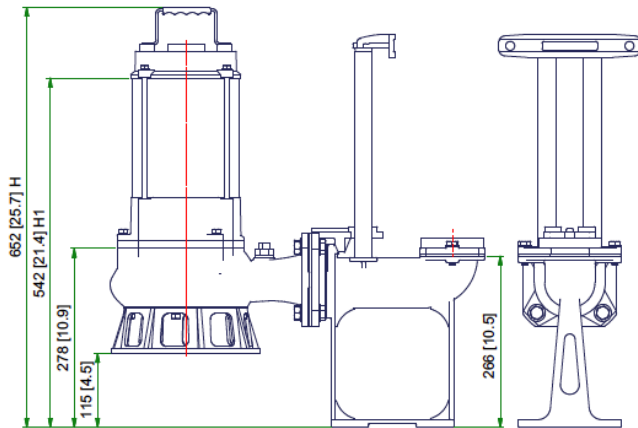
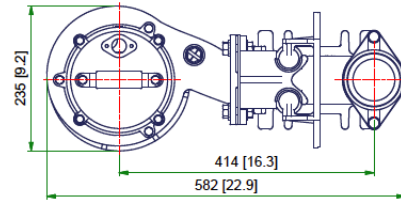
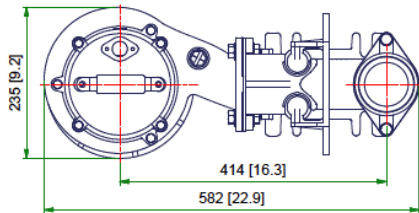
PumpSupplyInc.com



PUMP SUPPLY
INCORPORATED

mody

ELECTRIC SUBMERSIBLE VORTEX STAINLESS STEEL



TUS3'' + MSVSS3-3

TUS3'' + MSVSS3-5

Illinois Location:

(847) 841-7867
860 Church Rd Elgin, IL 60120

Minnesota Location:

(651) 758-7867
330 Mill Bay South Suite 100
Afton, MN 55001

PumpSupplyInc.com

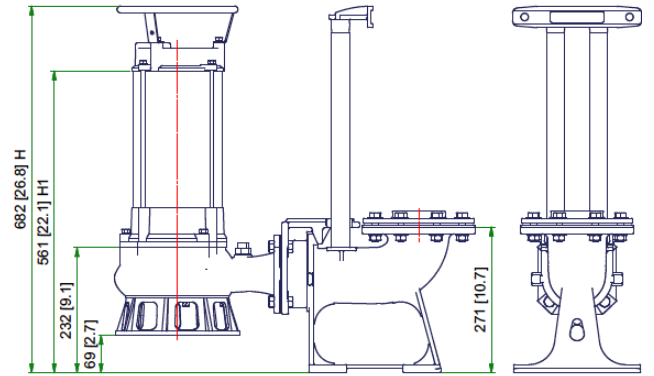
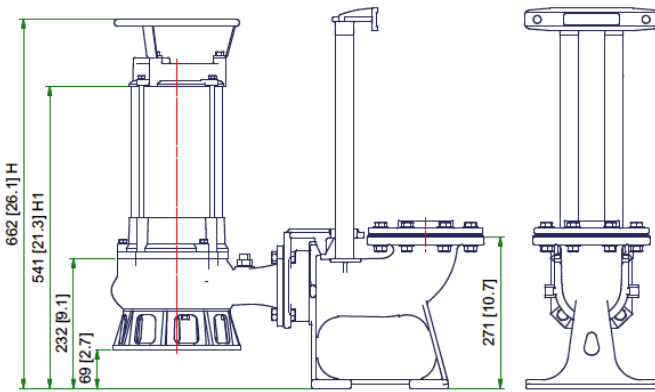
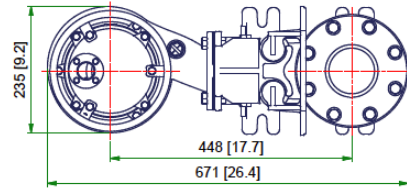
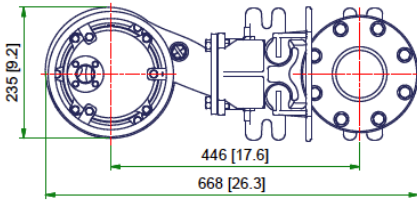


**PUMP SUPPLY
INCORPORATED**



mody

ELECTRIC SUBMERSIBLE VORTEX STAINLESS STEEL



TUS4" + MSVSS4-7.5

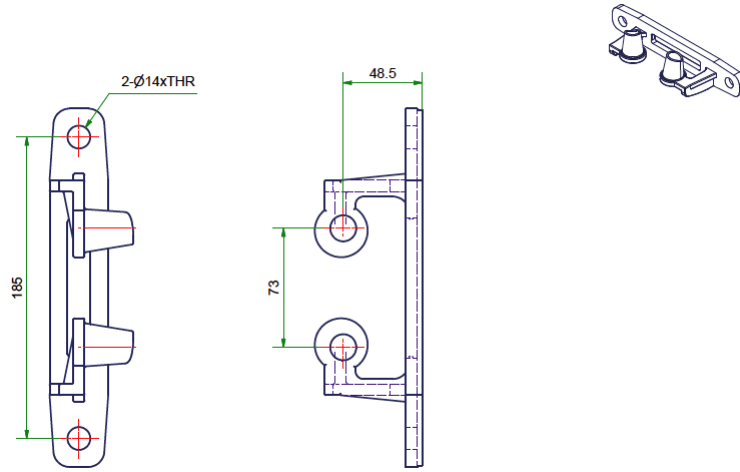
TUS3" + MSVSS4-10

Illinois Location:
(847) 841-7867
860 Church Rd Elgin, IL 60120

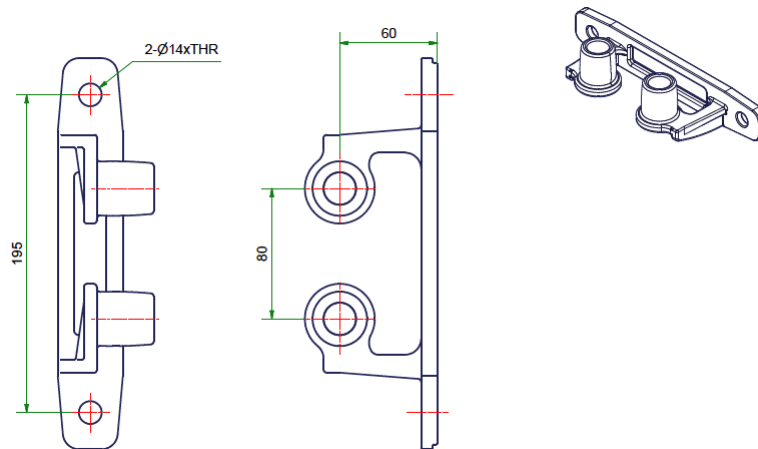
Minnesota Location:
(651) 758-7867
330 Mill Bay South Suite 100
Afton, MN 55001

PumpSupplyInc.com





TUS2 3/4" Upper Guide Rail Bracket



TUS4" Upper Guide Rail Bracket