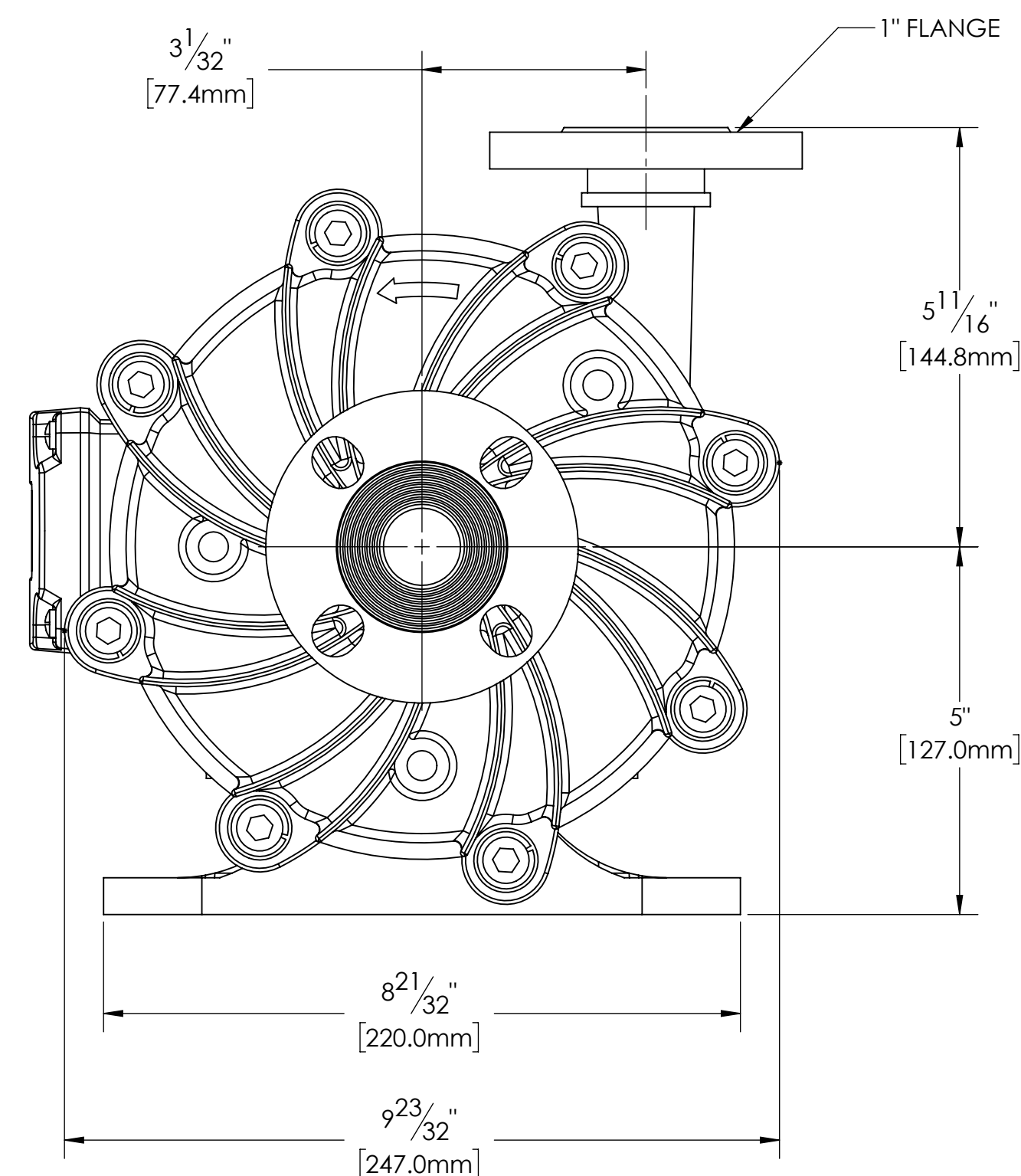
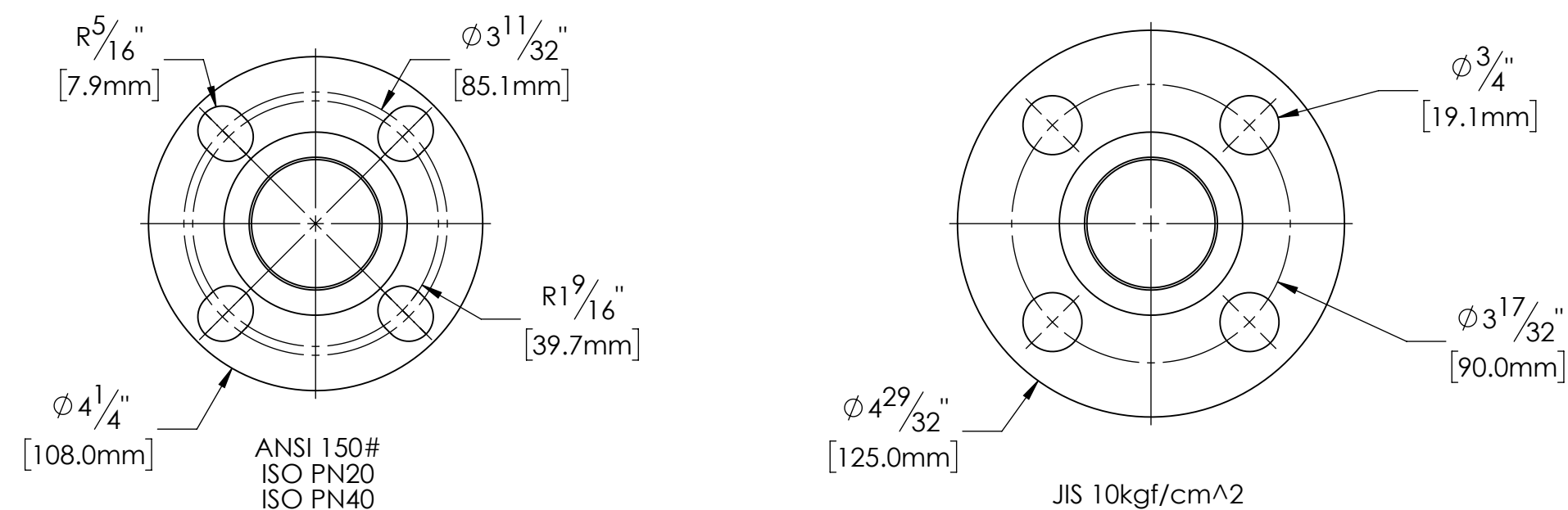




REVISIONS				
REV	DESCRIPTION	DATE	APPR'D	TRACK



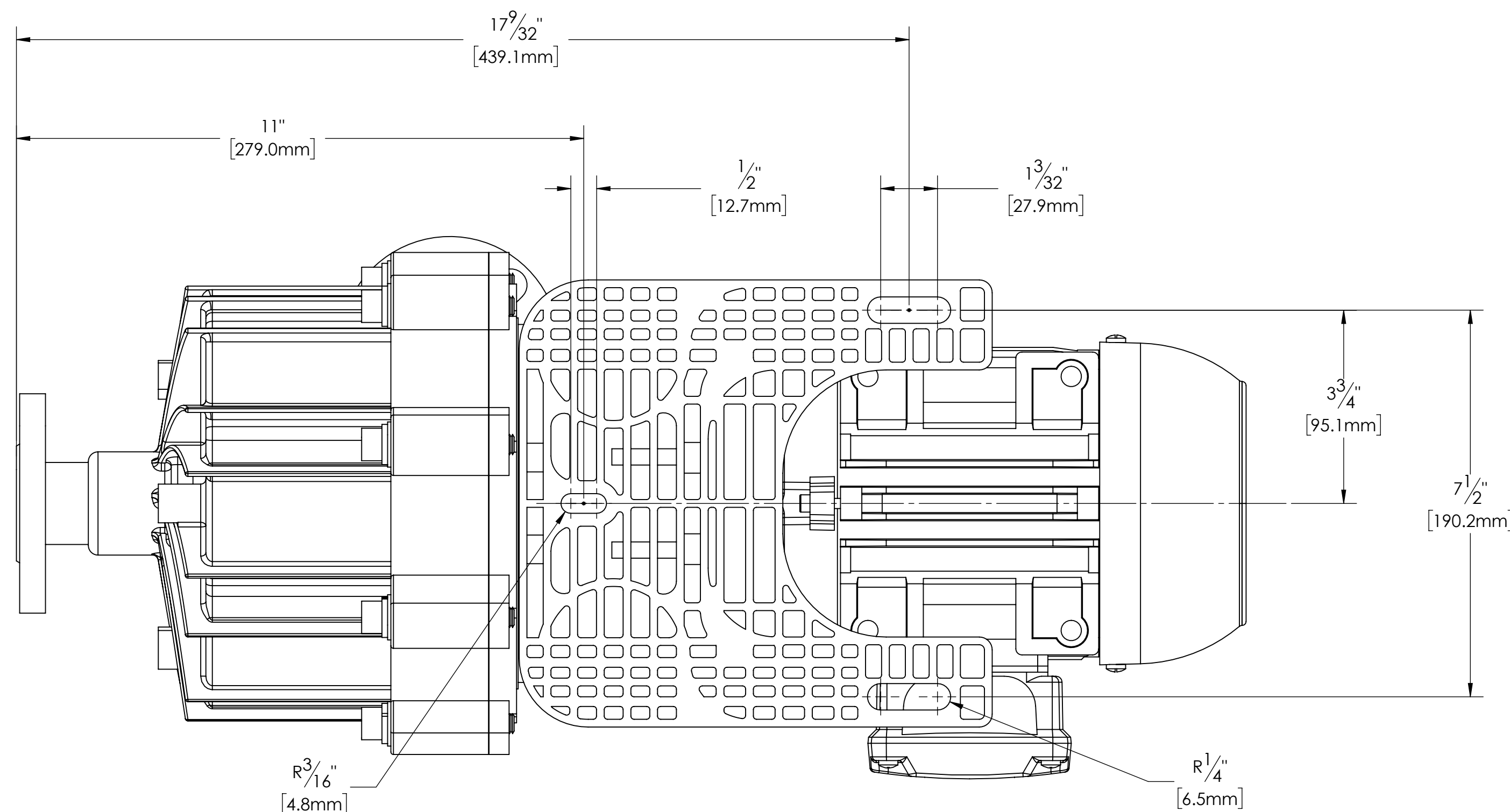
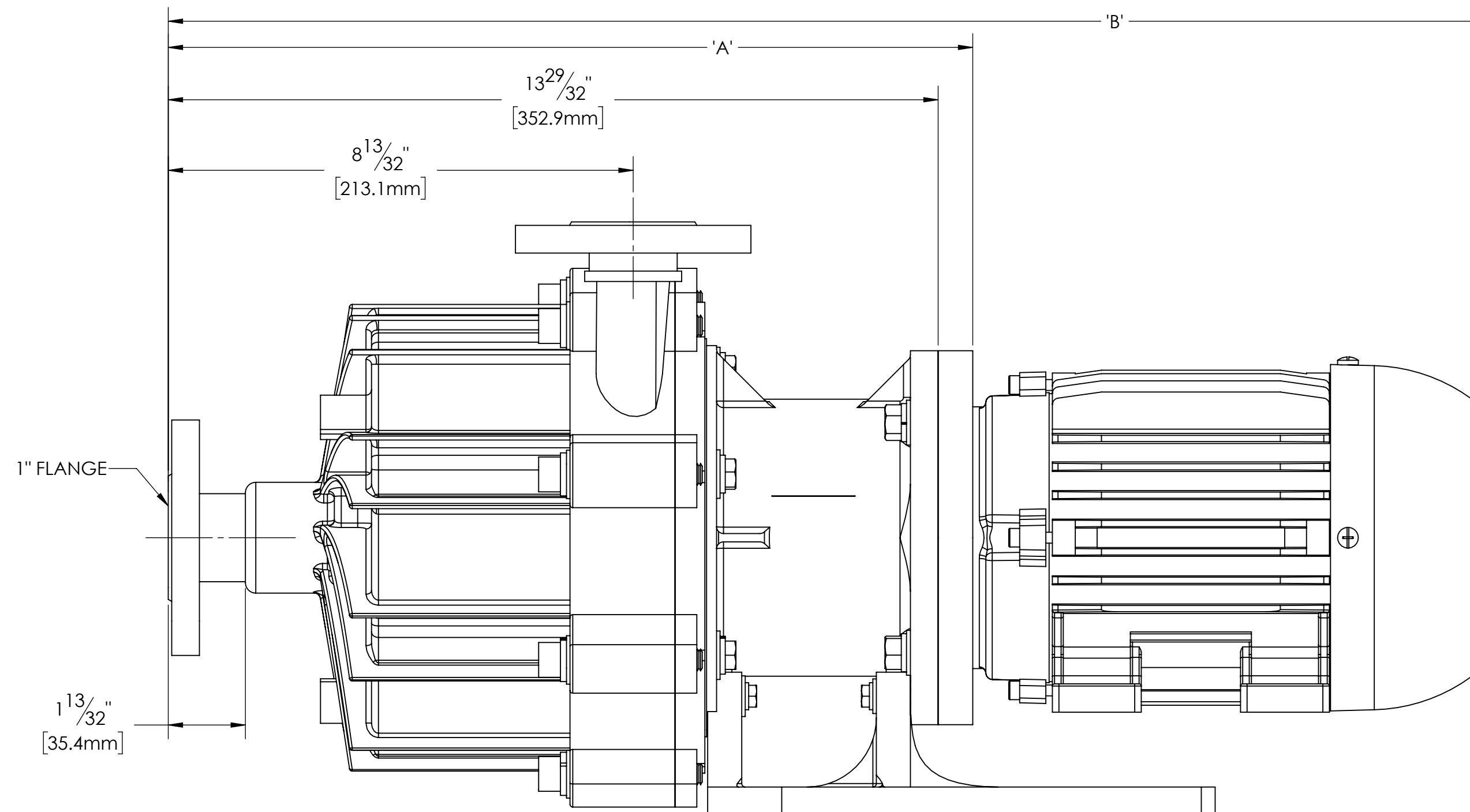
SUCTION & DISCHARGE FLANGE DETAIL



NOTE:

1. ALL WEIGHTS ARE ESTIMATED AND FOR REFERENCE ONLY
2. PUMP WEIGHT IS ESTIMATED USING POLYPRO PUMP COMPONENTS
3. ALL DIMENSIONS ARE FOR REFERENCE ONLY

\*- DIMENSION DEPENDS UPON MOTOR MANUFACTURER  
 \*\*- MOTOR WEIGHT DEPENDS UPON MOTOR MANUFACTURER AND STYLE OF MOTOR USED

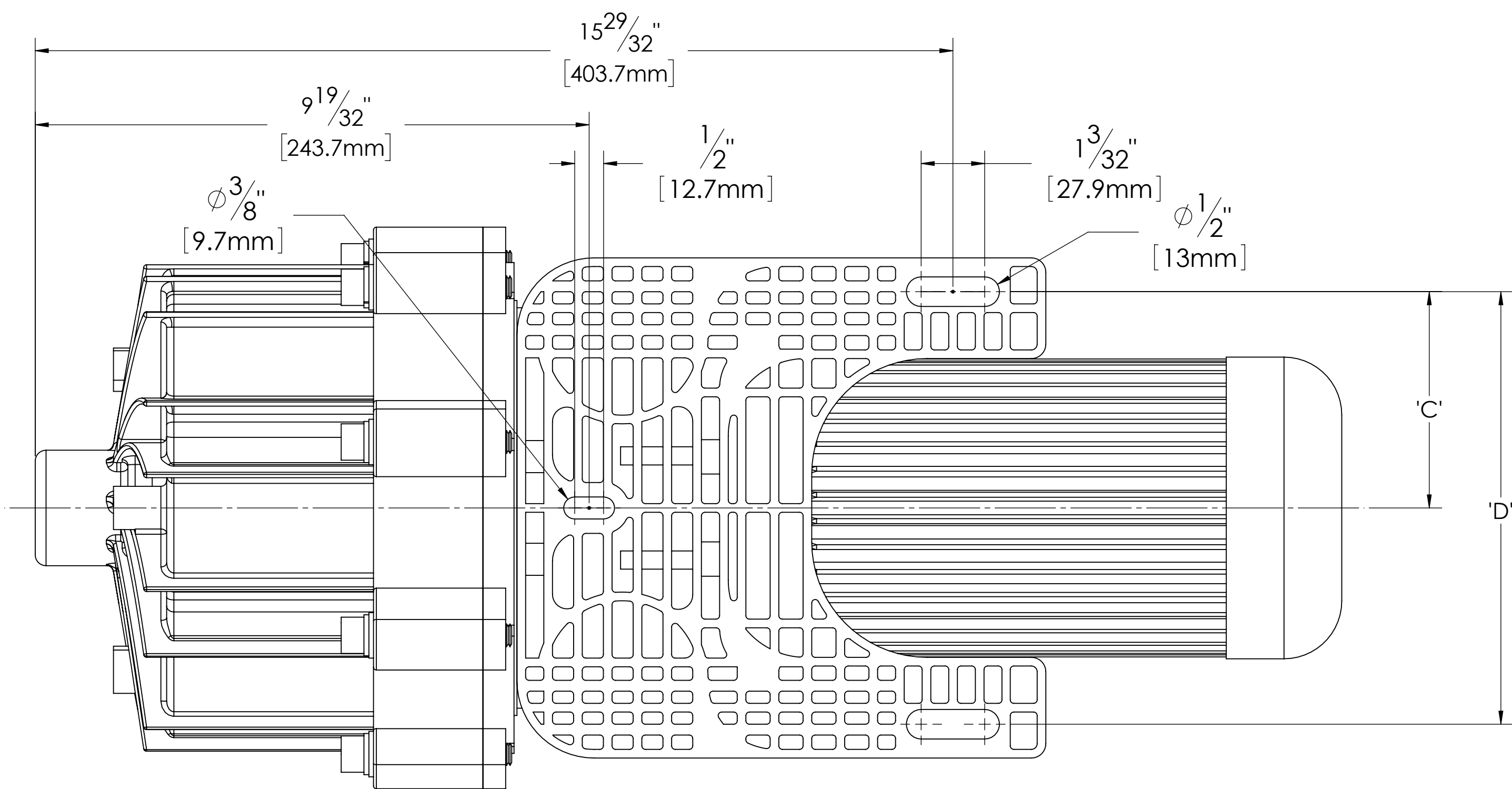
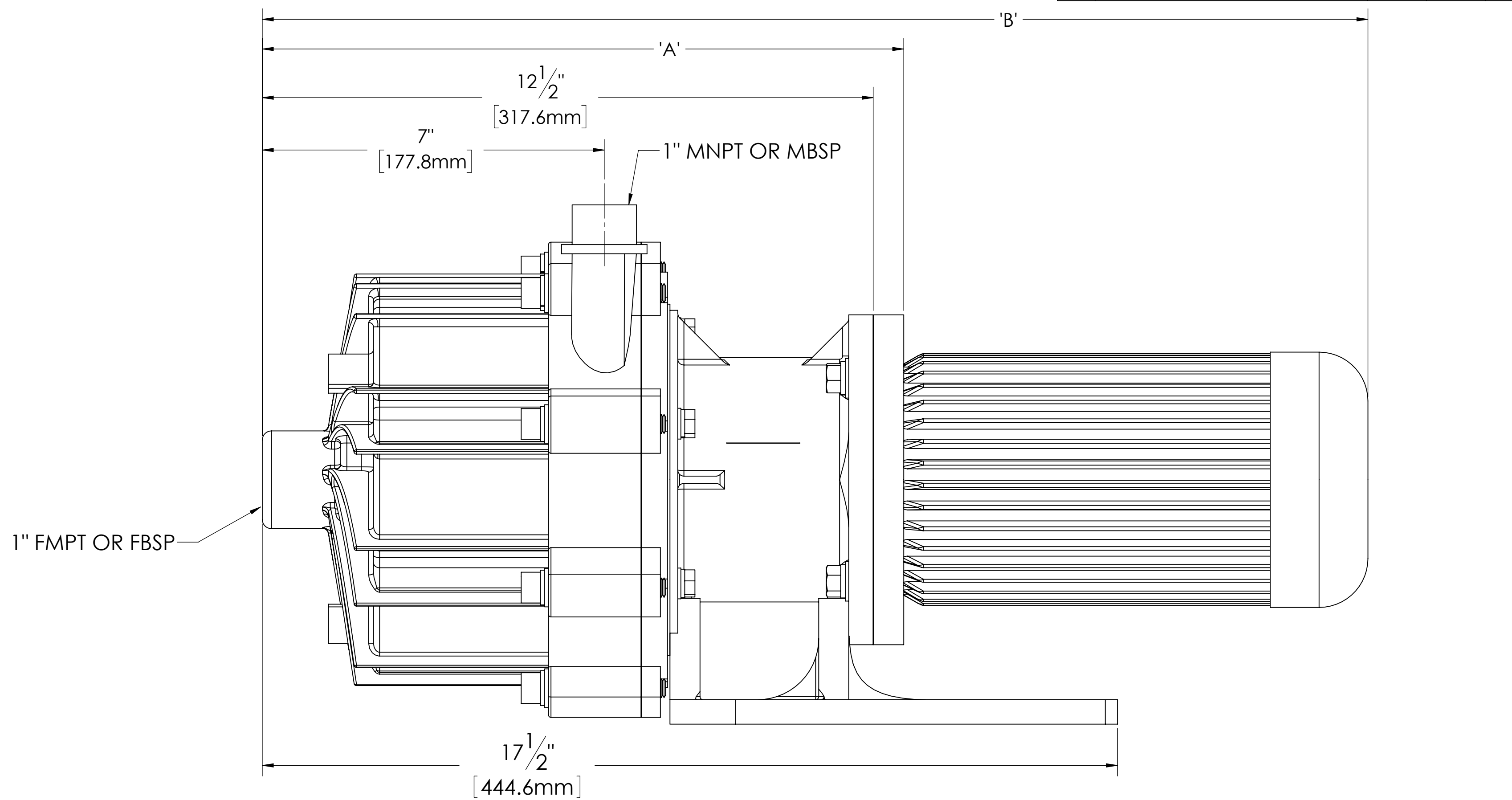
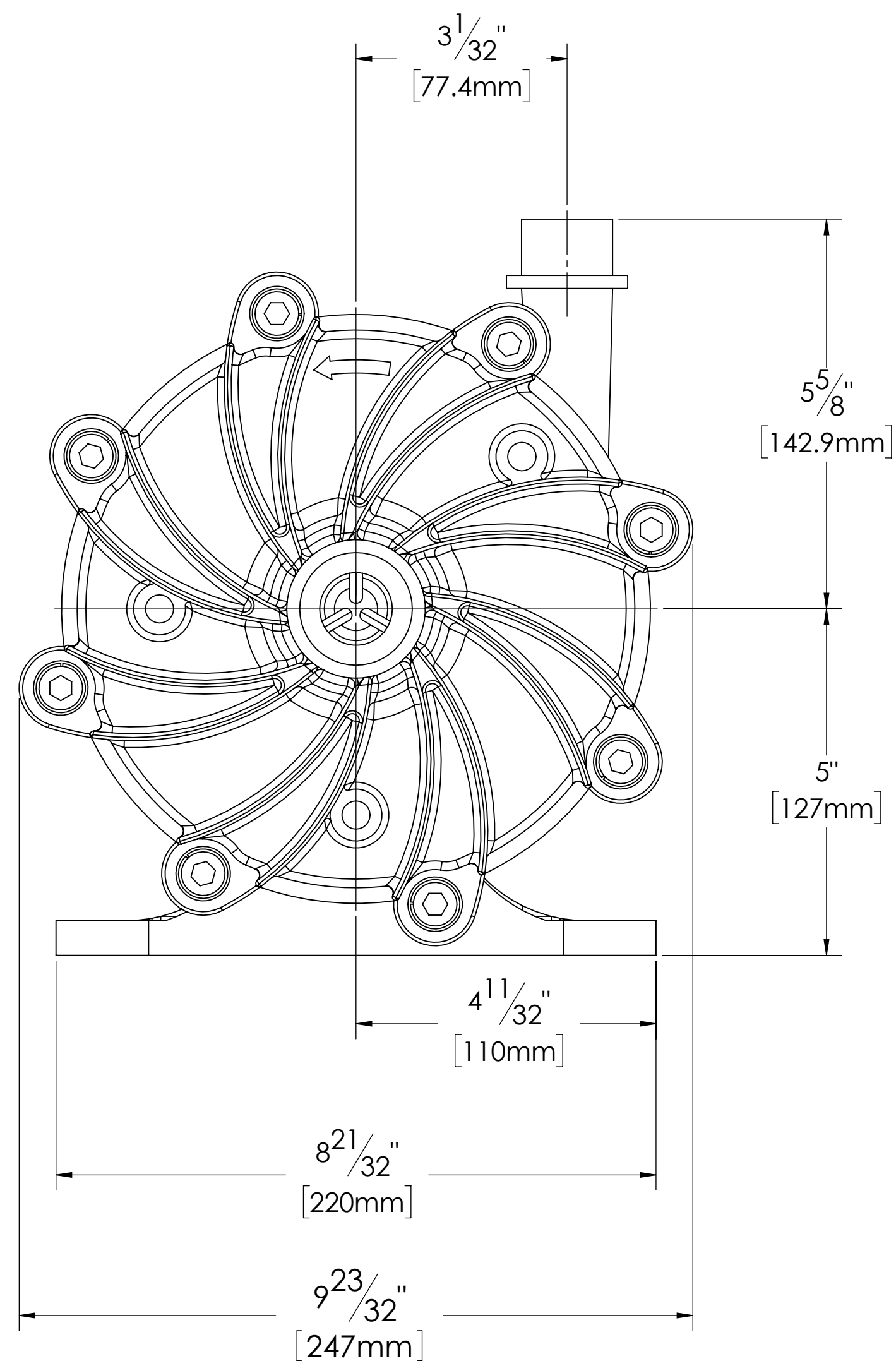


MSDB	NEMA 56C FR.	13-29/32" (352.9 mm)	25-3/32" (637.4 mm)	3-3/4" (95 mm)	7-1/2" (191 mm)	30 lbs (13.6 kg)	31 lbs (14 kg)
MSDB	NEMA 143/5TC FR.	13-29/32" (352.9 mm)	25-1/16" (636.6 mm)	3-3/4" (95 mm)	7-1/2" (191 mm)	30 lbs (13.6 kg)	45 lbs (20 kg)
MSDB	NEMA 182/4 TC FR.	14-25/32" (375.4 mm)	28-11/16" (728.7 mm)	3-3/4" (95 mm)	7-1/2" (191 mm)	30 lbs (13.6 kg)	84 lbs (38 kg)
MSDB	IEC 80 FR. B5/B14	14-7/32" (369.1 mm)	24-19/32" (624.7 mm)	3-3/4" (95 mm)	7-1/2" (191 mm)	30 lbs (13.6 kg)	35 lbs (16 kg)
MSDB	IEC 90 FR. B5/B14	14-7/32" (369.1 mm)	24-25/32" (629.4 mm)	3-3/4" (95 mm)	7-1/2" (191 mm)	30 lbs (13.6 kg)	50 lbs (23 kg)
MSDB	IEC 100 FR. B5/B14	14-19/32" (370.7 mm)	26-9/32" (667.5 mm)	3-5/32" (80 mm)	6-10/32" (160 mm)	30 lbs (13.6 kg)	70 lbs (32 kg)
MSDB	IEC 112 FR. B5/B14	14-19/32" (370.7 mm)	26-25/32" (645 mm)	3-3/4" (95 mm)	7-1/2" (191 mm)	30 lbs (13.6 kg)	88 lbs (40 kg)
PUMP MODEL	MOTOR FRAME	DIM 'A'	DIM 'B' *	DIM 'C'	DIM 'D'	PUMP WT.	MOTOR WT. **

UNLESS OTHERWISE SPECIFIED		DISTRIBUTION BLOCK		521 GREENGARDEN ROAD ERIE, PENNSYLVANIA 16501 PHONE: (814) 455-4478 FAX: (814) 455-8518	
DIMENSIONS ARE IN INCHES TOLERANCES ARE: XXX + .005 XX - .010 FRAC. ± .002 DEGREE ± 1° FINISH 125		DEPT	REC'D	DEPT	REC'D
DRAWN: C.M.B		PUMP ASSM	INI MOLD	PRODUCT: MSDB TITLE: OUTLINE DIM- FLANGED HSG SIZE: PART NUMBER R102312 SCALE: X SHEET 1 OF 1	
ENGR:		STILL ASSM	PURCH	REV. 0 CHECKED	
DO NOT SCALE DRAWING		WELD SHOP	SALES	CAD GENERATED DRAWING. DO NOT MANUALLY UPDATE	
SIGNATURES		MACH SHOP	ADV	THIRD ANGLE PROJECTION	
DATE: 5-28-2020					



REVISIONS				
REV	DESCRIPTION	DATE	APPR'D	TRACK
1	REVISED DRAWING TO SHOW SAME HOUSING FOR 2 AND 3 STAGE PUMPS	6-25-05	CMB	
1	REVISED DRAWING FOR NEW HSG LENGTH	5/26/20	CMB	



- NOTE:
1. ALL WEIGHTS ARE ESTIMATED AND FOR REFERENCE ONLY
  2. PUMP WEIGHT IS ESTIMATED USING POLYPRO PUMP COMPONENTS
  3. ALL DIMENSIONS ARE FOR REFERENCE ONLY

\*- DIMENSION DEPENDS UPON MOTOR MANUFACTURER  
 \*\*- MOTOR WEIGHT DEPENDS UPON MOTOR MANUFACTURER AND STYLE OF MOTOR USED

PUMP MODEL	MOTOR FRAME	DIM 'A'	DIM 'B' *	DIM 'C'	DIM 'D'	PUMP WT.	MOTOR WT. **
MSDB	NEMA 56C FR.	12-1/2" (317.5 mm)	23-11/16" (601.7 mm)	3-3/4" (95 mm)	7-1/2" (191 mm)	30 lbs (13.6 kg)	31 lbs (14 kg)
MSDB	NEMA 143/5TC FR.	12-1/2" (317.5 mm)	23-21/32" (600.9 mm)	3-3/4" (95 mm)	7-1/2" (191 mm)	30 lbs (13.6 kg)	45 lbs (20 kg)
MSDB	NEMA 182/4 TC FR.	13-3/8" (339.7 mm)	27-9/32" (692.9 mm)	3-3/4" (95 mm)	7-1/2" (191 mm)	30 lbs (13.6 kg)	84 lbs (38 kg)
MSDB	IEC 80 FR. B5/B14	13-1/8" (333.4 mm)	23-3/16" (589 mm)	3-3/4" (95 mm)	7-1/2" (191 mm)	30 lbs (13.6 kg)	35 lbs (16 kg)
MSDB	IEC 90 FR. B5/B14	13-1/8" (333.4 mm)	23-3/8" (594 mm)	3-3/4" (95 mm)	7-1/2" (191 mm)	30 lbs (13.6 kg)	50 lbs (23 kg)
MSDB	IEC 100 FR. B5/B14	13-3/16" (335 mm)	24-7/8" (632 mm)	3-5/32" (80 mm)	6-10/32" (160 mm)	30 lbs (13.6 kg)	70 lbs (32 kg)
MSDB	IEC 112 FR. B5/B14	13-3/16" (335 mm)	25-3/8" (645 mm)	3-3/4" (95 mm)	7-1/2" (191 mm)	30 lbs (13.6 kg)	88 lbs (40 kg)

UNLESS OTHERWISE SPECIFIED		DISTRIBUTION BLOCK				521 GREENGARDEN ROAD ERIE, PENNSYLVANIA 16501		PHONE: (814) 455-4478 FAX: (814) 455-8518	
DIMENSIONS ARE IN INCHES TOLERANCES ARE: XXX ± .005 XX ± .010 FRAC ± .102 DEGREE ± 1° FINISH 125	DEPT	REC'D	DEPT	REC'D	PRODUCT: MSDB		TITLE: OUTLINE DIM. THREADED CONNECTION		
	PUMP ASSM		INI MOLD		SALES		SIZE: PART NUMBER R100428		
	STILL ASSM		PURCH		ADV		REV. 2		
	WELD SHOP		SALES	X	ADV		SCALE: 1:1.75 SHEET 1 OF 1 CHECKED		
SIGNATURES	DATE	MACH SHOP	ADV						
DRAWN: C.M.B	4-7-05								
ENGR:									
DO NOT SCALE DRAWING									