



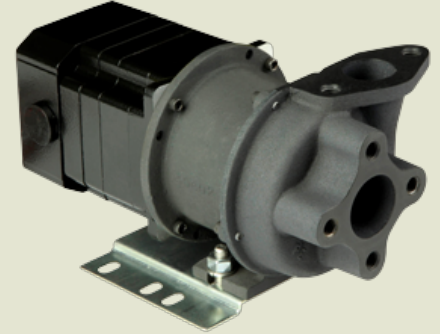
MDX

1" x 1" Centrifugal Transportation Circulator

The MDX is a magnetically-driven sealless circulator that produces flows to 25 GPM and pressures to 20' TDH, 12 or 24V DC with an optional brushless DC motor.

SPECIFICATIONS:

Materials Of Construction	Aluminum
Flow	Up to 25 GPM
Head Feet	Up to 20'
Impeller	2.5" semi-open stainless steel
Drive Options	Close coupled 12V DC, Close coupled 24V DC
Seal	Magnetically driven no mechanical seal required
Options	Adapters available to convert flanged connections to 1" female NPT, Optional mounting base is adjustable or removable
Temperature	Designed for operation in ambient temperature up to 200°F, Designed for use with fluids up to 220°F and sustained fluid temps up to 210°F
Base	(2) bolt integrated mounting foot cast into pump housing



Application

- Agricultural
- Commercial
- Industrial
- Marine
- OEM
- Transportation

Features

- Dual 18" long 14 AWG red (positive) black (negative) power leads
- Housing has 1" (4) bolt flanged suction & (2) bolt flanged discharge connections
- Motor enclosure is splash and weather resistant
- Motor has brushed or brushless configurations with sealed control electronics
- Thermally protected against overload and overtemp with automatic reset

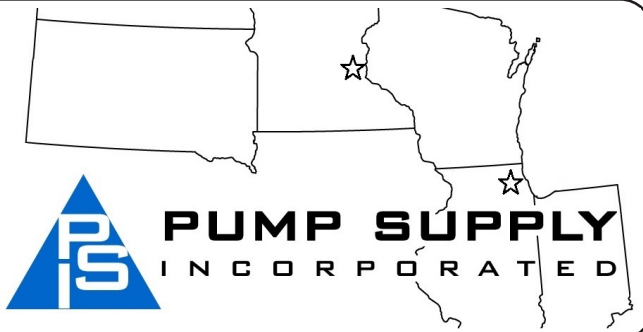
Illinois Location:

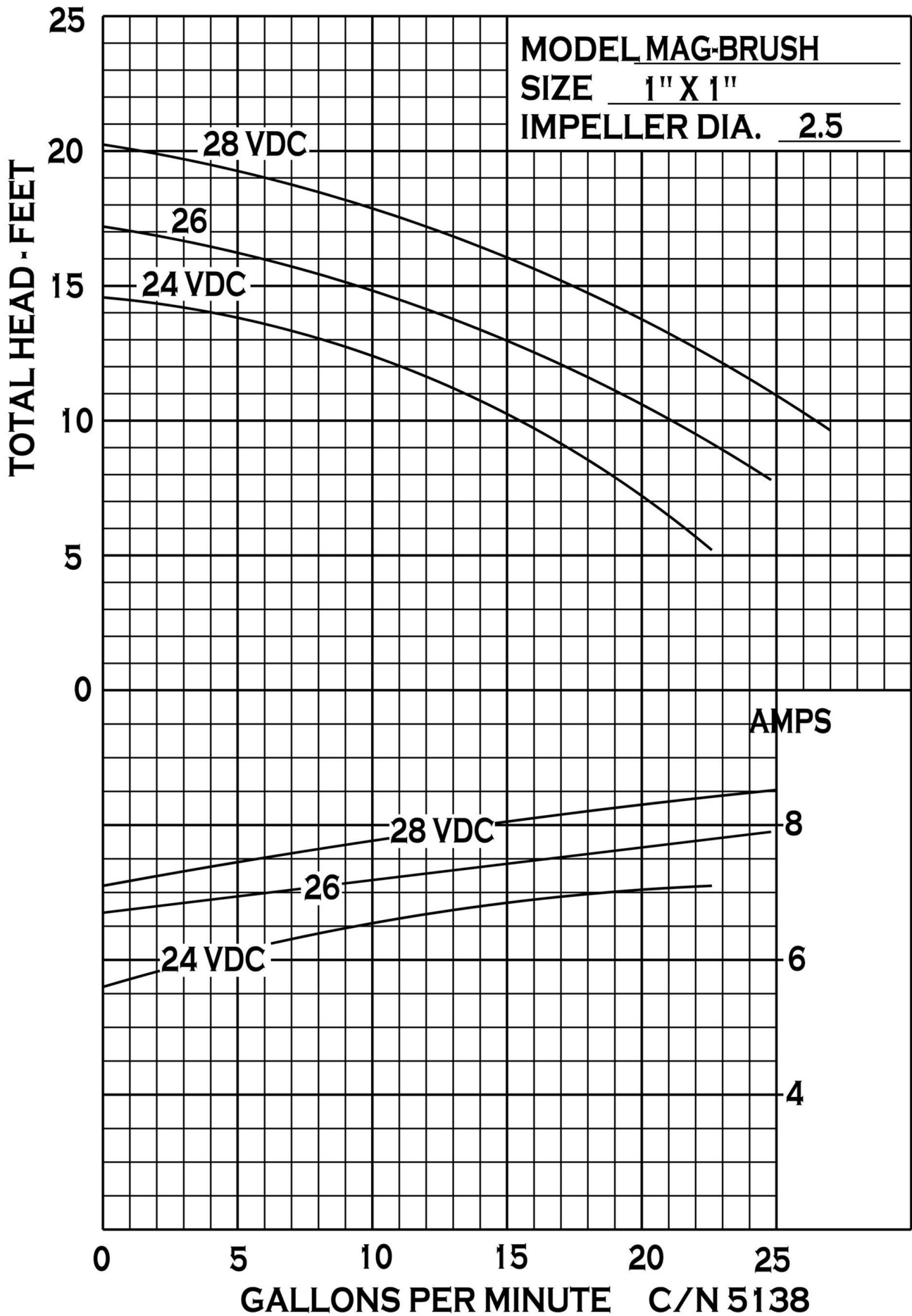
(847) 841-7867
860 Church Rd Elgin, IL 60120

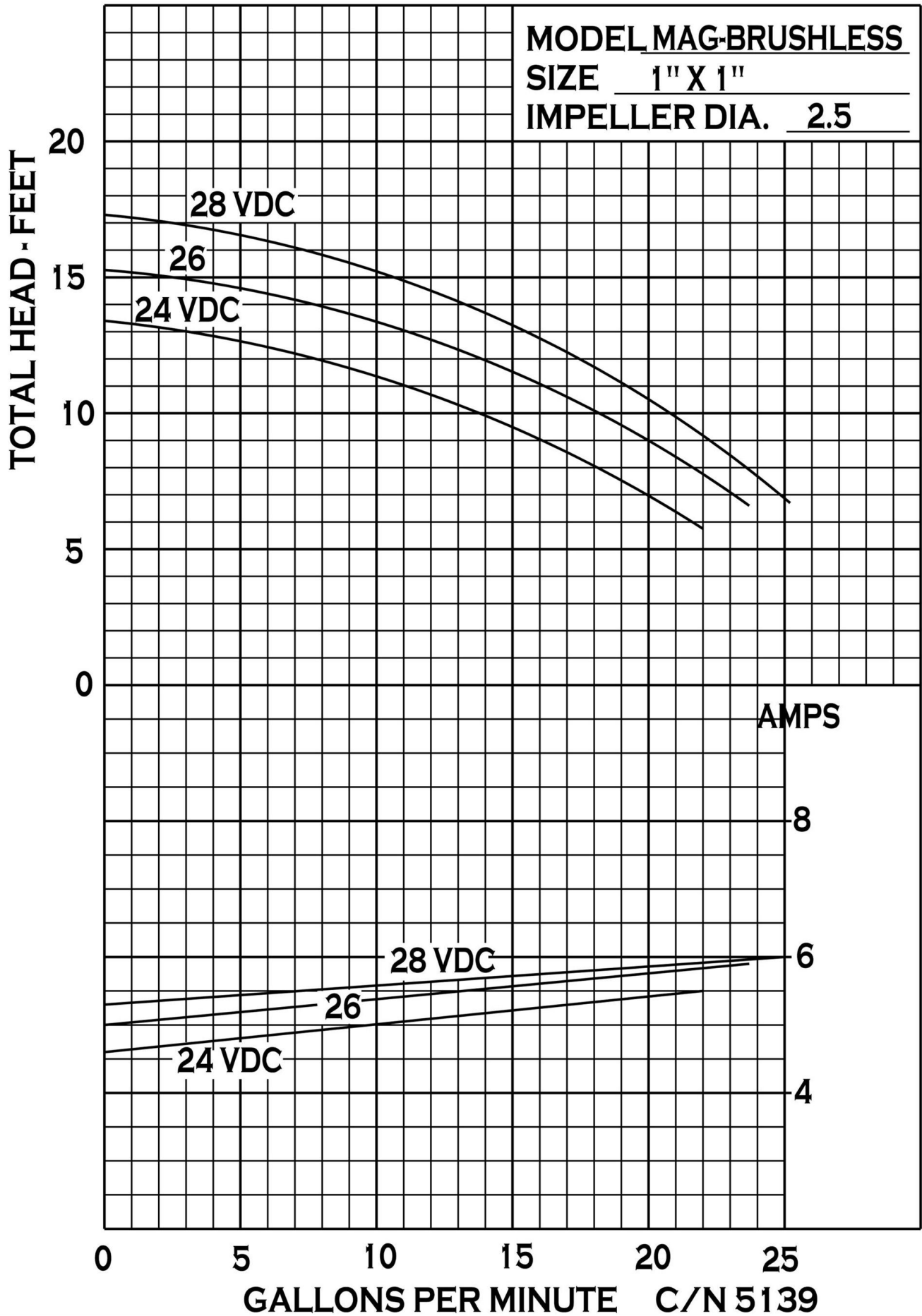
Minnesota Location:

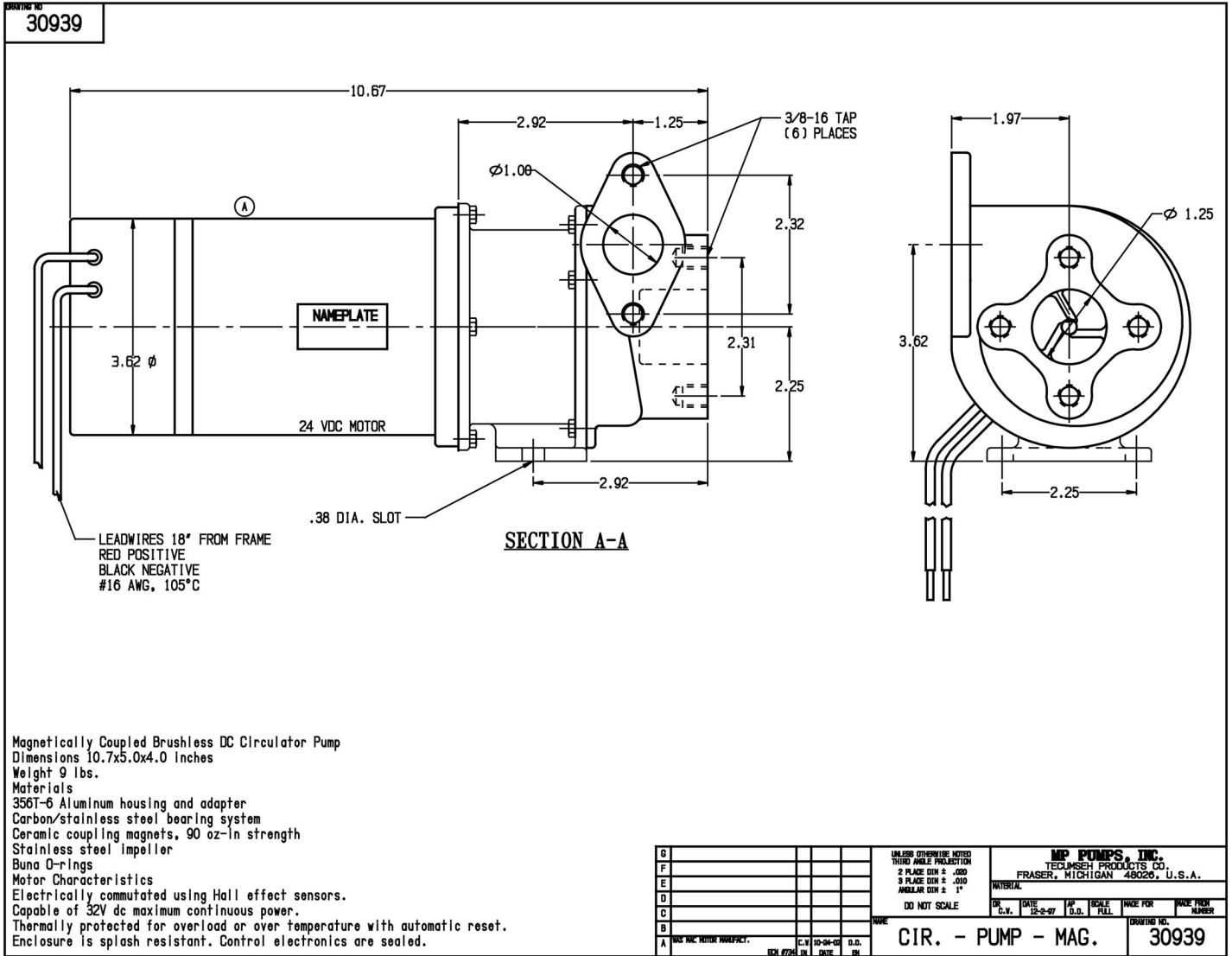
(651) 758-7867
330 Mill Bay South Suite 100
Afton, MN 55001

PumpSupplyInc.com









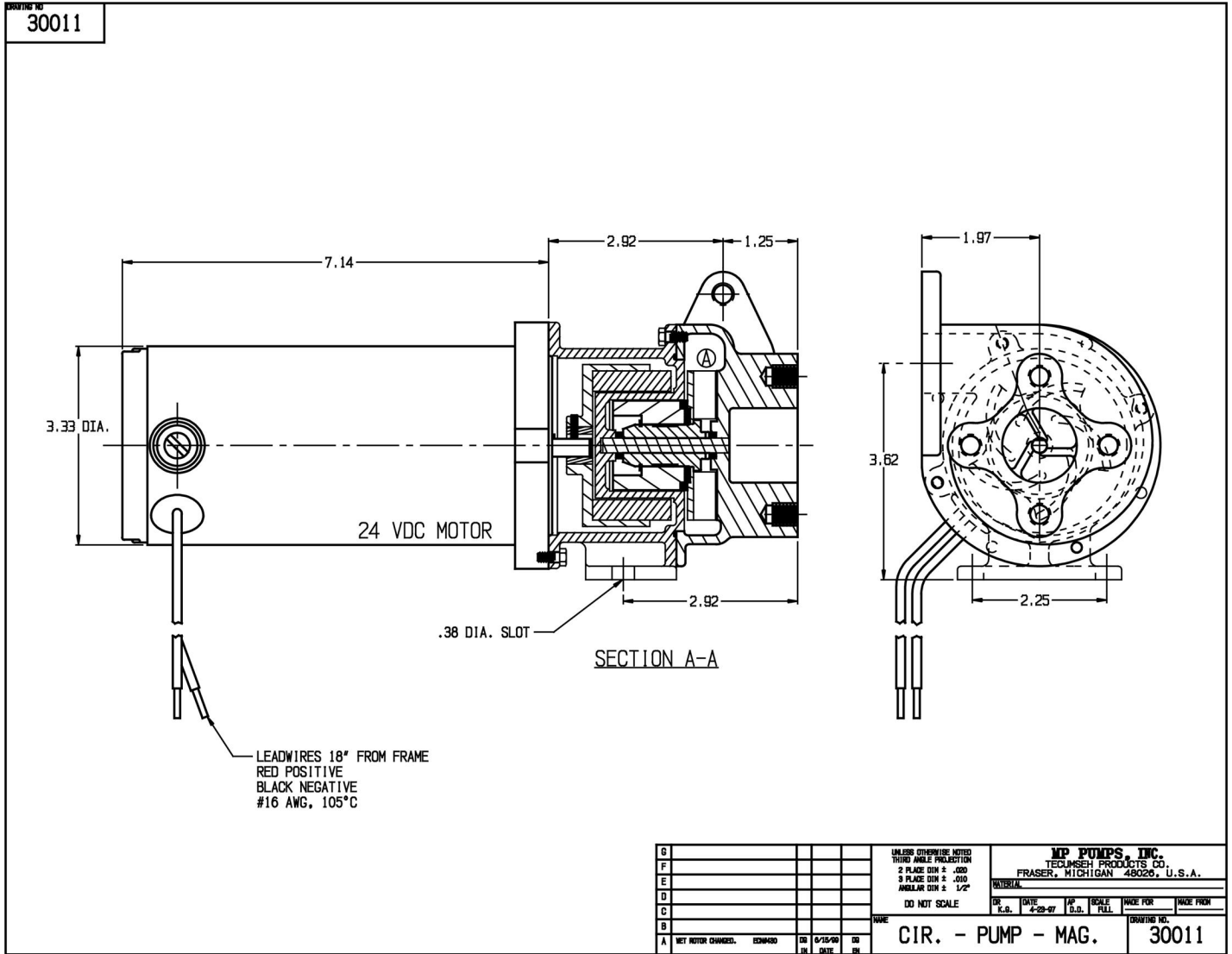
Illinois Location:
(847) 841-7867
860 Church Rd Elgin, IL 60120

Minnesota Location:
(651) 758-7867
330 Mill Bay South Suite
Afton, MN 55001

PumpSupplyInc.com

PUMP SUPPLY
INCORPORATED





Illinois Location:
(847) 841-7867
860 Church Rd Elgin, IL 60120

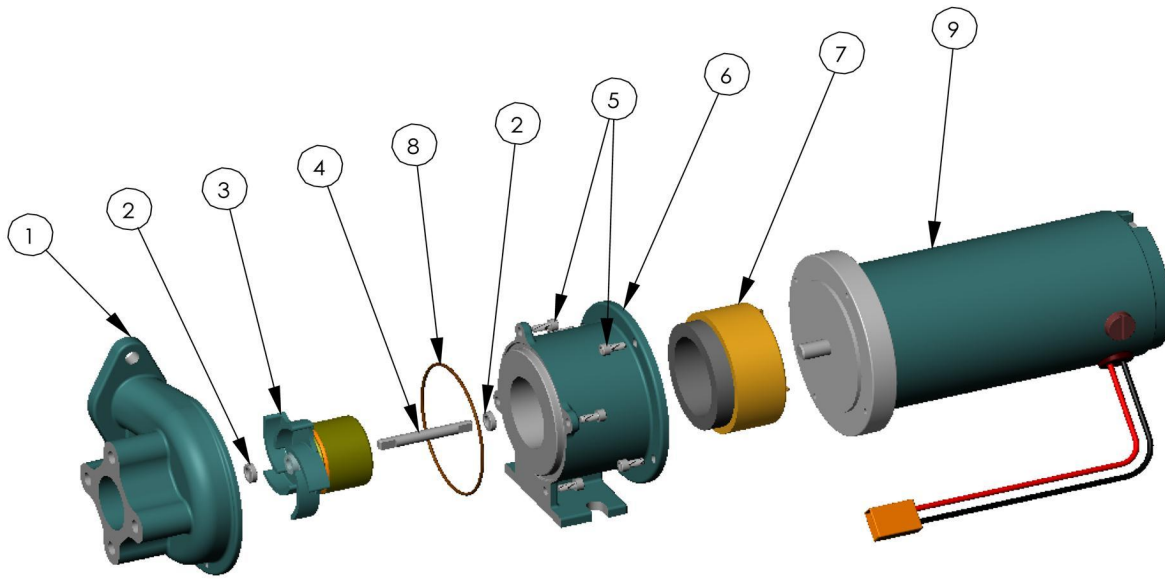
Minnesota Location:
(651) 758-7867
330 Mill Bay South Suite
Afton, MN 55001

PumpSupplyInc.com

PUMP SUPPLY
INCORPORATED



30011



PART NO.	ITEM NO.	DESCRIPTION	QTY.		PART NO.	ITEM NO.	DESCRIPTION	QTY.
30605	1	HOUSING	1		30603	6	HOUSING	1
33445	2	WASHER S.S.	2		30769	7	DRIVE MAGNET	1
34826	3	ROTOR ASSEMBLY	1	*	30622	8	O - RING BUNA	1
33446	4	SHAFT S.S.	1		30270	9	ELECTRIC MOTOR 24 VDC	1
30297	5	CAPSCREW STL. 8-32 X 3/8 LG.	8					



*

*- RECOMMENDED REPLACEMENT PARTS

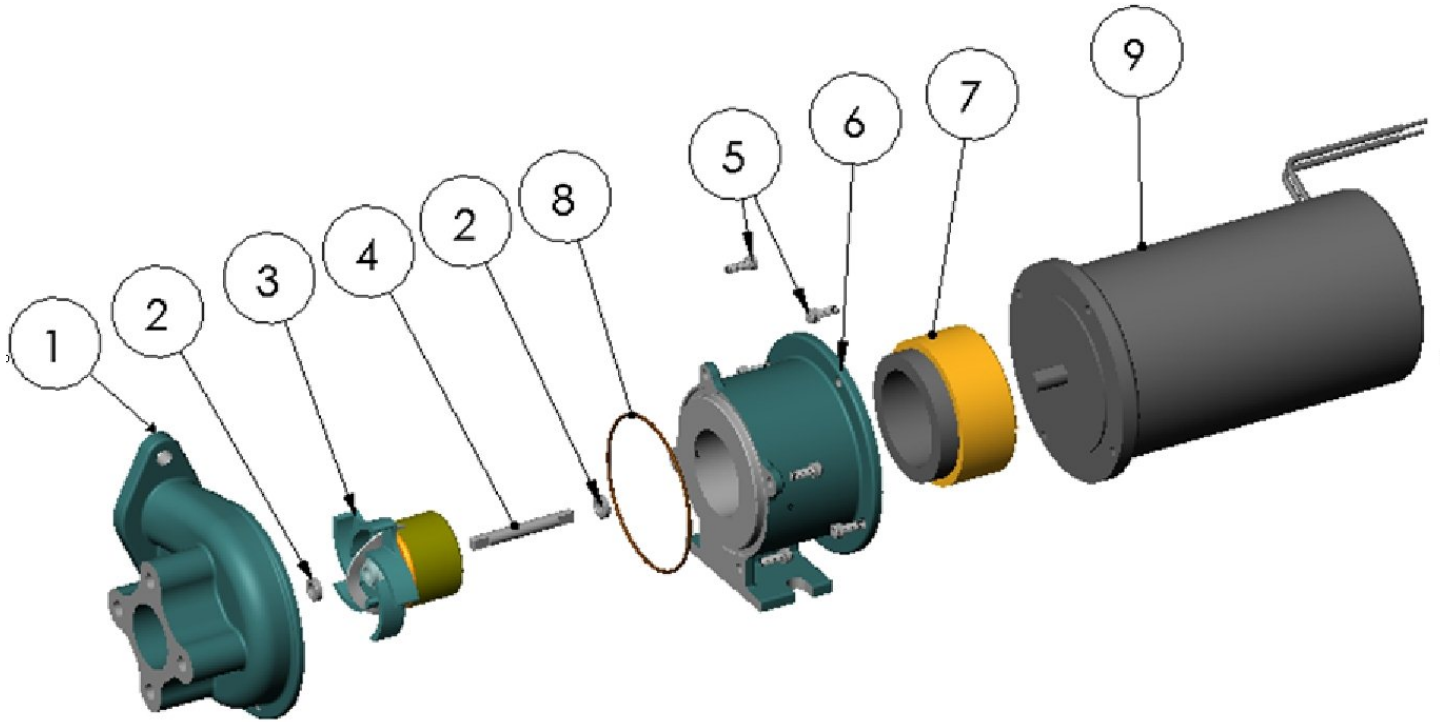
Illinois Location:
 (847) 841-7867
 860 Church Rd Elgin, IL 60120

Minnesota Location:
 (651) 758-7867
 330 Mill Bay South Suite 100
 Afton, MN 55001

PumpSupplyInc.com





PART NO.	ITEM NO.	DESCRIPTION	QTY.		PART NO.	ITEM NO.	DESCRIPTION	QTY.
30605	1	HOUSING	1		30603	6	ADAPTER	1
33445	2	WASHER S.S.	2		30769	7	DRIVE MAGNET	1
34826	3	ROTOR ASSEMBLY	1	*	30622	8	O - RING VITON	1
33446	4	SHAFT S.S.	1		30938	9	ELECTRIC MOTOR 24 VDC	1
30297	5	CAPSCREW STL. 8-32 X 3/8 LG.	8					

Illinois Location:
 (847) 841-7867
 860 Church Rd Elgin, IL 60120

Minnesota Location:
 (651) 758-7867
 330 Mill Bay South Suite 100
 Afton, MN 55001

PumpSupplyInc.com

