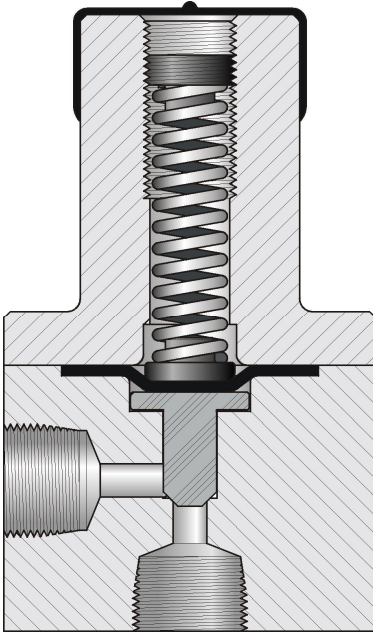




Griffco Valve Inc.
 6010 N. Bailey Ave., Ste 1B
 Amherst, NY 14226
 Phone: 1 800-474-3326
 Fax: 1 716 835-0893

PRHP SERIES PRESSURE RELIEF VALVES



Griffco diaphragm pressure relief valves are designed to protect chemical feed systems from over pressure damage caused by defective equipment or a blockage in the chemical feed line. Robust construction ensures reliability in the rigorous service of municipal and industrial applications. Wetted materials include **316 SS, A 20 and Hast. C.**
 Available sizes: 1/4", 3/8", 1/2", 3/4" and 1"

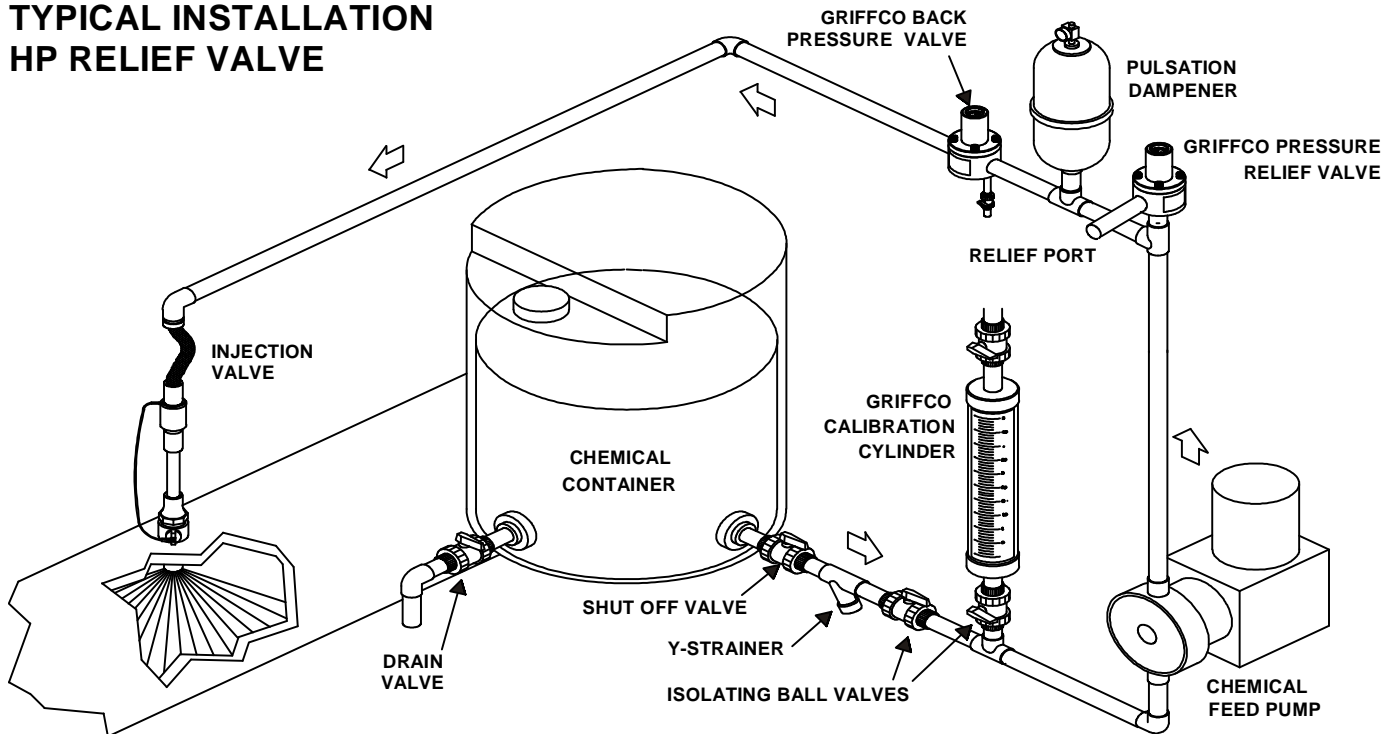
Features:

- High Reliability / Low Cost
- Pressure Range 350 – 2000 psi
- Compact Size for OEM Applications
- 2 Port, 90° Configuration
- Robust, Machined Construction
- Kynar Piston
- Wide Range of Materials

Operation:

Griffco high pressure relief valves operate when the pressure in the chemical system exceeds the preset pressure of the valve. The piston is held against the valve seat by an internal spring. When the preset pressure is exceeded the piston is forced up and the chemical flows out the relief port, to drain or back to the chemical tank. The valves are pre-set on request, however they are field adjustable from 350 - 2000 psi via the adjustment screw. The relief valve should be set approximately 10% higher than the system operating pressure. Installation should be made as close to the pump as possible, without any valves or accessories between the relief valve and the pump. Consult your pump manufacturer for his recommendations.

TYPICAL INSTALLATION HP RELIEF VALVE



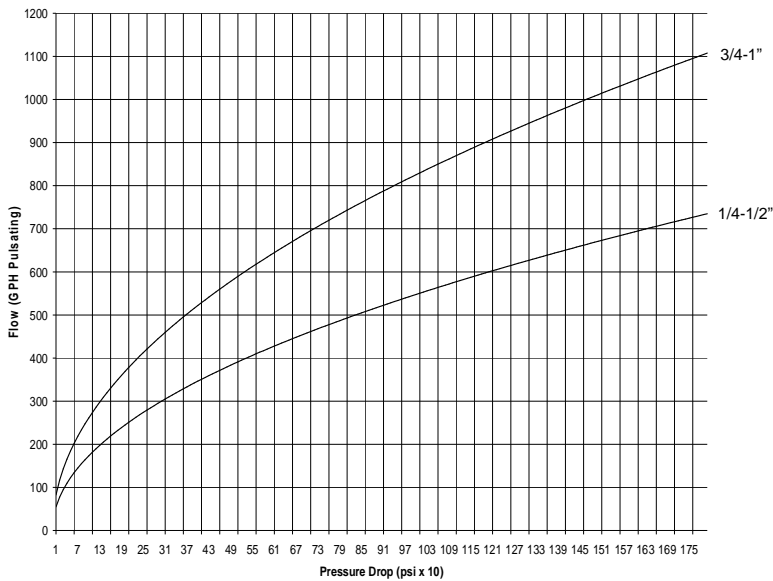
CALL 1 - 800 - GRIFFCO

Bulletin # PRHP1004-2012R1

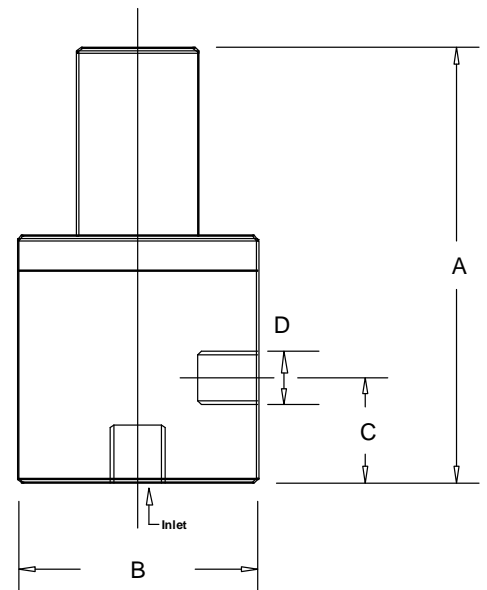
Technical Data:

Sizes: Model PRHP		1/4", 3/8", 1/2", 3/4" & 1"	
Connections:		NPT and Socket	
Pressure Adjustment		350 – 2000 psi	
Max Flow Rates @ 1750 psi		Shipping Weight: lbs	
Size	Pulsating	Metal / Metal Top:	
1/4"	700 USgph	3.0	
3/8"	700 USgph	3.0	
1/2"	700 USgph	3.5	
3/4"	1200 USgph	7.0	
1"	1200 USgph	7.0	
Max Temperature: (°F)		300°, (Peak Short Term 390°)	
Materials of Construction:			
Piston		PVDF	
Diaphragm		PTFE / EPDM, Optional: Viton & PTFE / Viton	
Valve Top		316 SS	
Valve Body		316 SS, A 20, Hast. C, Others on Request	

Performance Curves:



Dimensions:



Product codes for ordering:

PRHP
1 2 3

1 = Size

025 – 1/4"
 038 – 3/8"
 050 – 1/2"
 075 – 3/4"
 100 – 1"

2 = Material

S - 316 SS
 A - Alloy 20
 C - Hastalloy C

3 = Options

V - Viton Diaphragm
 S - Socket Connections

D	A	B	C
1/4"	4.25	2.375	1.10
3/8"	4.25	2.375	1.10
1/2"	4.25	2.375	1.10
3/4"	5.90	3.50	1.25
1"	5.90	3.50	1.25