

JEU**EBARA Stainless Steel Self Priming Jet Pumps****Contents****Model JEU**

JEU806 - 1HP

JEU1506 - 2HP

Section	Page
Specifications	502
Selection Chart	503
Performance Curve	504
Pump Dimensions	505
Sectional View	506



***Note:** Model JEU with seal code "C" is Certified

Certified to
NSF/ANSI/CAN 61
& 372

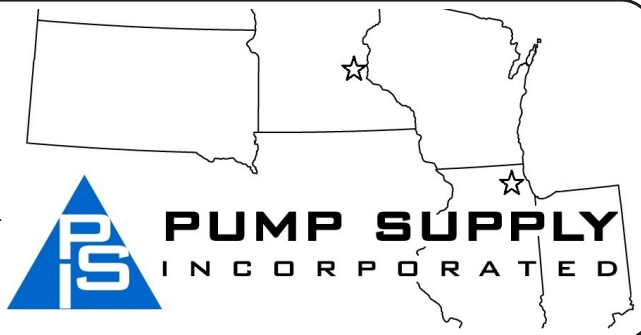
Illinois Location:

(847) 841-7867
860 Church Rd Elgin, IL 60123

Minnesota Location:

(651) 758-7867
330 Mill Bay South Suite 1511
Afton, MN 55001

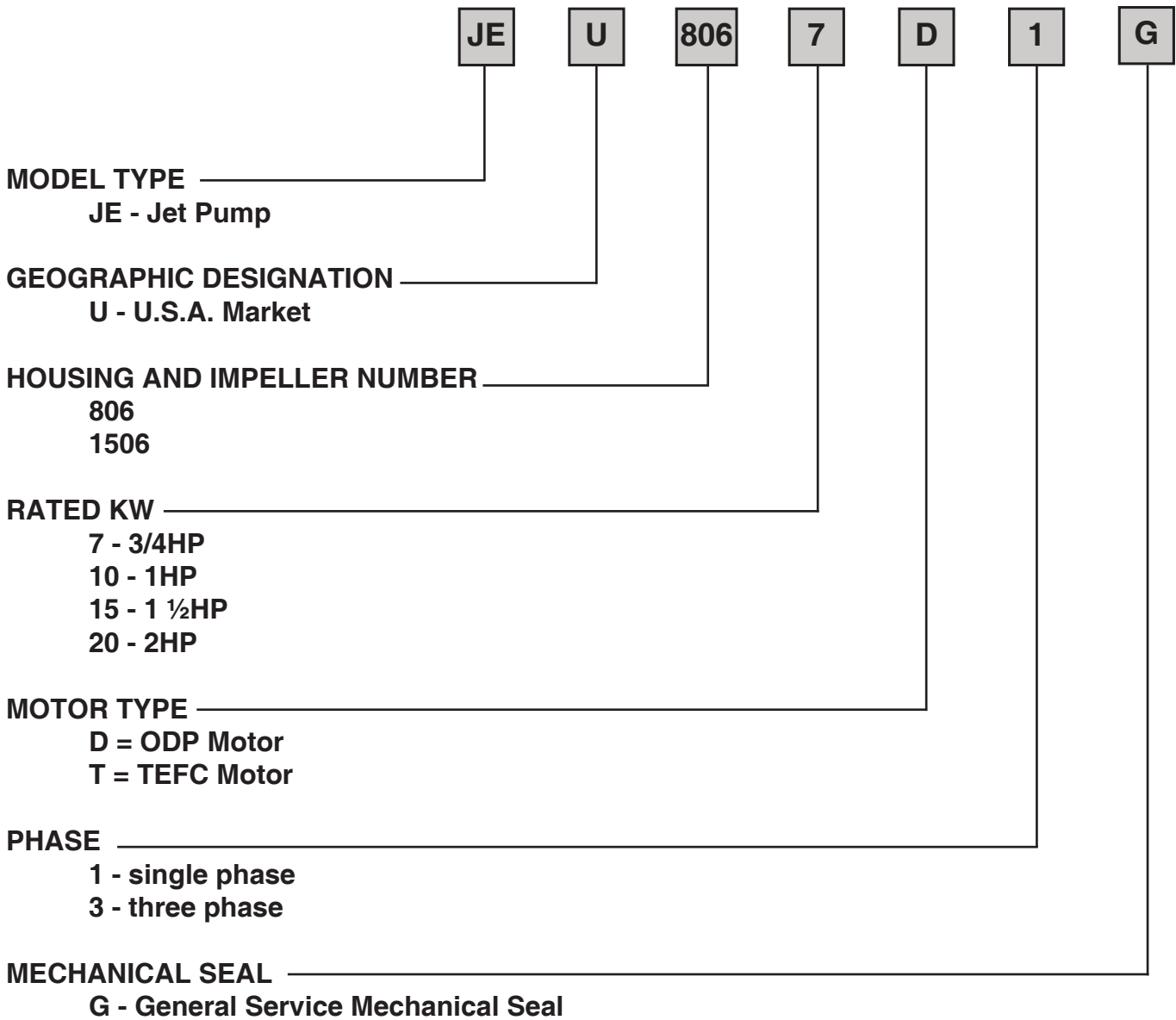
PumpSupplyInc.com



JEU

EBARA Stainless Steel Self Priming Jet Pumps

Model Designation



JEU**EBARA Stainless Steel Self Priming Jet Pumps****Specifications****Model JEU**

	Standard	Optional
Size Suction Discharge	1¼" NPT thread 1" NPT thread	
Range of HP	¾" HP to 2HP	
Range of Performance Capacity Head	2 to 18.5 GPM at 3450 RPM 63' to 203' Feet at 3450 RPM	
Liquid Handled Type of liquid Temperature Suction Lift Maximum working pressure	Clean water Maximum: 113°F (45°C) Maximum 25 Ft. at 68°F (20°C) 125 PSI (9 Bar)	
Materials Casing Impeller (closed type) Shaft Ejector Diffuser Bracket Shaft Seal Bearing	304L Stainless Steel 304L Stainless Steel Stainless Steel Noryl plus 20% Fiberglass Noryl plus 20% Fiberglass Aluminum Mechanical Seal - Type 21 Ball Bearing	
Direction of Rotation	Clockwise when viewed from motor end	
Motor Type Speed Single Phase Three Phase Motor Protection	NEMA 56J Frame 60 Hz, 3450 RPM (2 poles) TEFC - 1 HP and 2 HP ODP - ¾ HP and 1½HP, 115/230V TEFC - 1 HP and 2 HP ODP - ¾ HP and 1 ½ HP, 208-230/460V Built-in overload protection (single phase)	

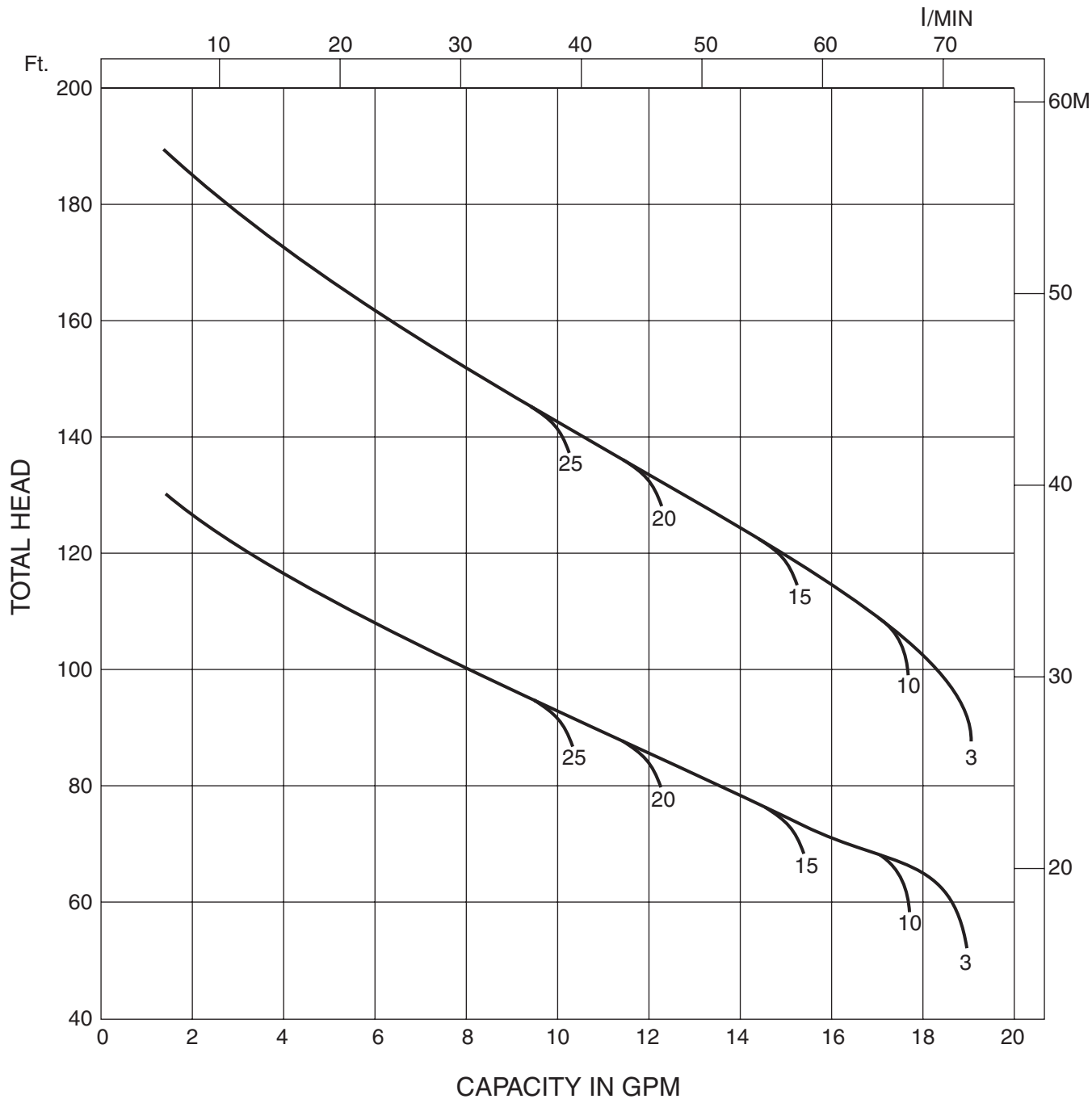


JEU

EBARA Stainless Steel Self Priming Jet Pumps

Selection Chart

60 Hz Synchronous Speed: 3450 RPM



NOTE: Figures in selection chart indicate suction lift (Ft.).



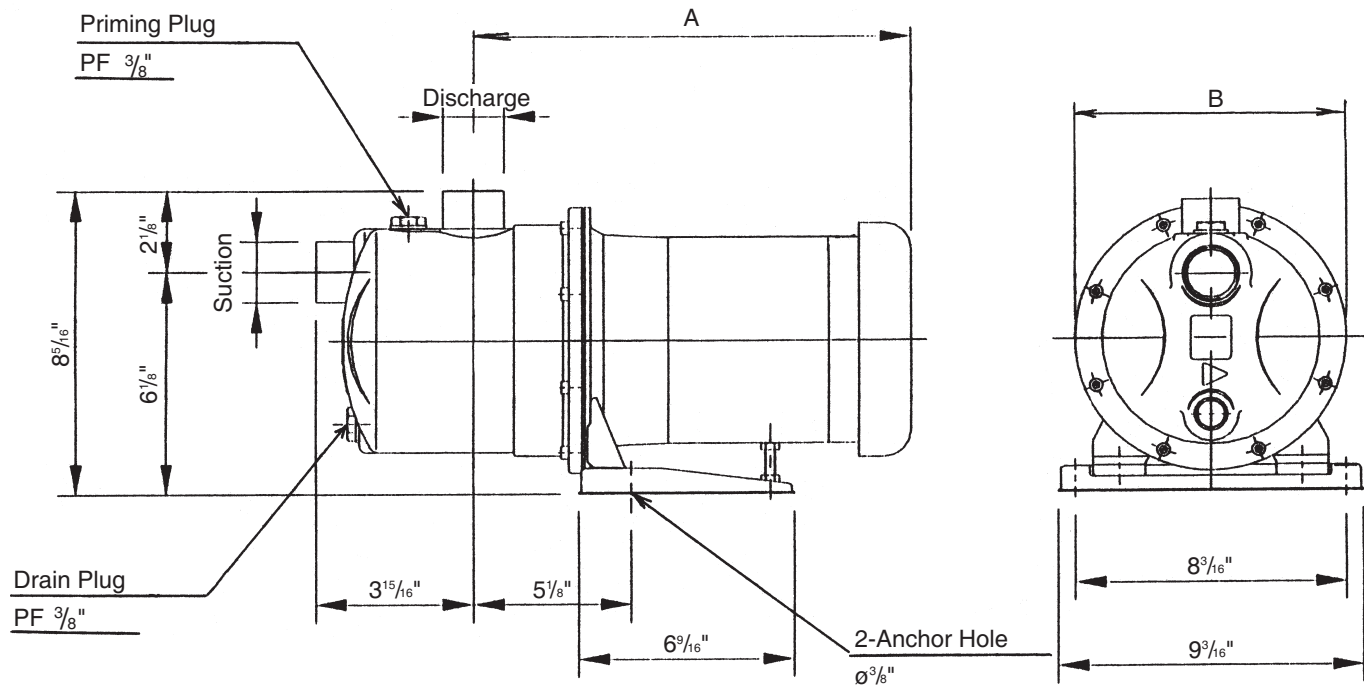
EBARA PUMPS AMERICAS CORPORATION
 www.pumpsebara.com
 (t) 803.327.5005 (f) 803.327.5097

JEU

EBARA Stainless Steel Self Priming Jet Pumps

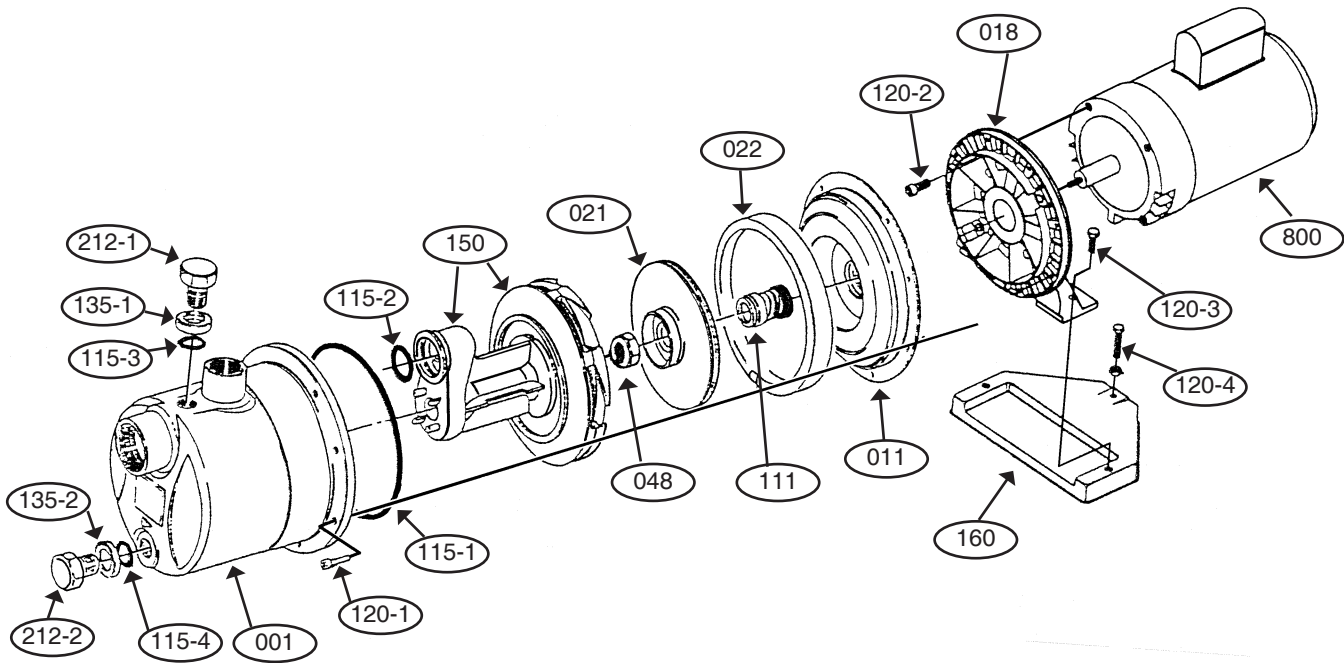
Dimensions

Project:	Model:	Chk'd:	Date:
----------	--------	--------	-------



Model	Size	Pump Size-NPT (inch)		Dimension (inch)		Unit Weight (lbs.)			
		Suction	Discharge	A	B	Single Phase		Three Phase	
						ODP	TEFC	ODP	TEFC
JEU806-3/4HP	1x1 1/4x4 1/2	1 1/4	1	19 1/16 Max.	8 3/16 Max.	37	41	39	43
JEU1506-1 1/2HP	1x1 1/4x5 3/16	1 1/4	1	19 7/16 Max.	9 5/16 Max.	42	46	44	48



JEU**EBARA Stainless Steel Self Priming Jet Pumps****Sectional Views**

Part No.	Part Name	Material	No. for 1 Unit
001	Casing	304L Stainless	1
011	Casing cover	304L Stainless	1
018	Bracket	Aluminum	1
021	Impeller	304L Stainless	1
022	Guide vane	Noryl GFNZ	1
048	Impeller nut	304L Stainless	1
111	Mechanical seal	-	1 set
115-1	O-Ring	Viton	1
115-2	O-Ring	Viton	1
115-3	O-Ring	Viton	1
115-4	O-Ring	Viton	1
120-1	Bolt	304L Stainless	8
120-2	Bolt	304L Stainless	4
120-3	Bolt	304L Stainless	2
120-4	Bolt	304L Stainless	1
135-1	Washer	304L Stainless	1
135-2	Washer	304L Stainless	1
150	Diffuser & Venturi Tube	Noryl GFNZ	1
160	Base	Steel	1
212-1	Plug	304L Stainless	1
212-2	Plug	304L Stainless	1
800	Motor	NEMA 56J Frame	1



EBARA PUMPS AMERICAS CORPORATION
 www.pumpsebara.com
 (t) 803.327.5005 (f) 803.327.5097

7

rev. 12/18