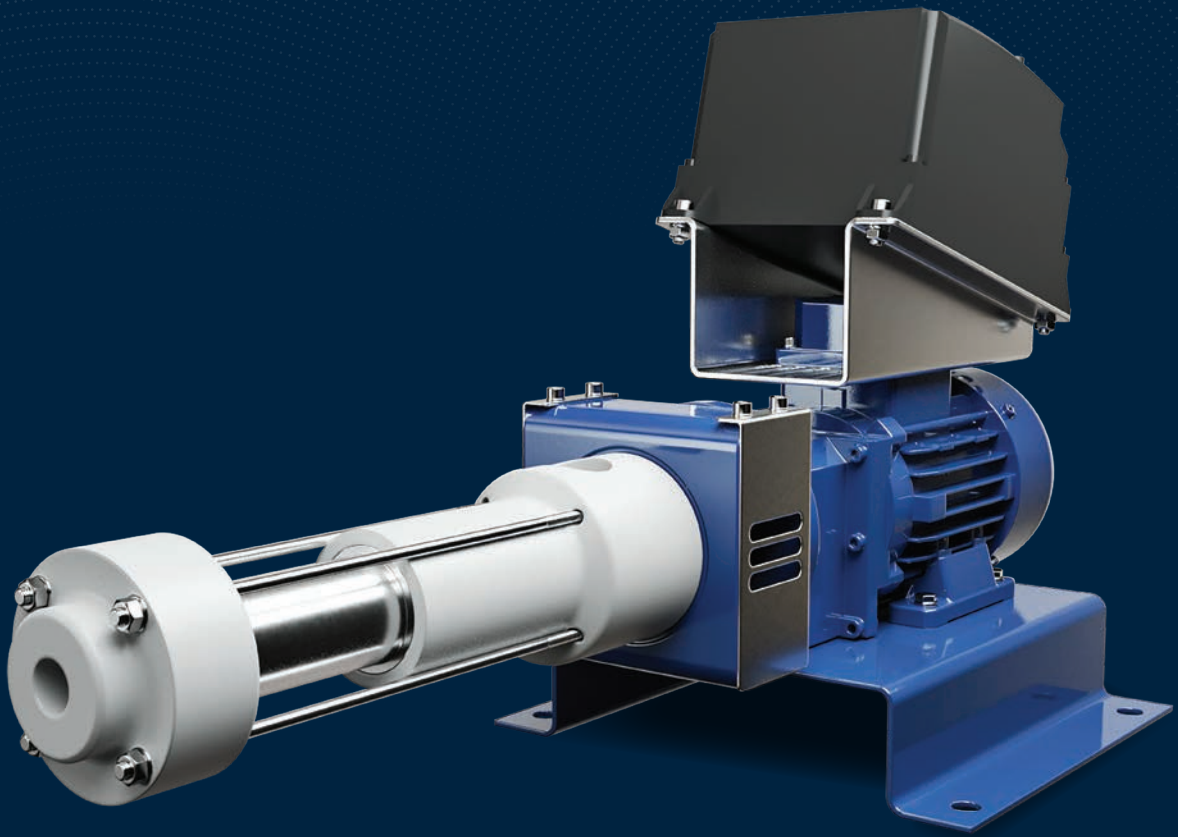


# SEEPEX.

An Ingersoll Rand Business

## MAKE EVERY DROP COUNT INTELLIGENT METERING PUMP



Illinois Location:

(847) 841-7867

860 Church Rd Elgin, IL 60123

Minnesota Location:

(651) 758-7867

330 Mill Bay South Suite 1511 Afton, MN 55001

IMP

[PumpSupplyInc.com](http://PumpSupplyInc.com)



# COMPLETE PROCESS CONTROL.

**CONVEYING CAPACITY**  
**0.02-180 GPH**  
 (4-945 l/h)

**PRESSURE**  
**UP TO 350 PSI**  
 (UP TO 24 BAR)

Complete process control starts with the pump. The unique design of a progressive cavity pump offers several advantages compared to traditional chemical metering pumps due to its precise, consistent, repeatable dosing with low shear, minimal pulsation and no vapor lock. Slip is minimized even when fluid temperature, viscosity or discharge pressure fluctuates.

Intelligent Metering Pumps (IMP) can be used in virtually all industries for metering and dosing precise quantities. They are particularly good for minimal pulsation conveyance of thin to high viscosity media, as well as abrasive media containing solids.

They are used for applications in agriculture; automotive assembly; bakeries; building products; ceramics; chemical and biochemical processing; coating kitchens, stock preparation and deinking in paper mills; confectioneries; dairies; distilleries; dye and ink plants; fruit and vegetable processing; pharmaceuticals, cosmetics and personal care products; poultry, meat and fish processing; oil, gas and petrochemicals; ship building; sewage sludge dewatering; wastewater treatment; water purification; wineries and wood treatment and fabrication.



**FEATURES**

- High metering accuracy, decreasing chemical use
- Minimal pulsation, no pulsation dampers required
- Constant flow, independent of pressure
- Low shear characteristics
- NSF/ANSI 61 certified pumps
- Simple interchangeability due to modular construction
- No check valves, no gas locking or blocking by solids
- Simple and predictive maintenance
- Less slip
- Infinite turn down
- Valveless flow control
- Vertical and horizontal mounting options

The IMP design incorporates an Electronic Programming Module (EPM) memory chip on which parameters can be pre-configured. This makes replacement of a drive simple, quick and accurate. Simply insert the EPM chip from a previous drive into the new one for no downtime between stop and startups.

Each unit is 115 volt single phase and has a keypad on the controller lid equipped with operator elements for manual speed control, display of pump speed / RPM or flow / fault indication and the ability to change factory settings. Various accessories can easily be connected to the drive via the control terminals on the terminal strip inside the controller. IMPs are optionally available with a cost-effective solution for dry running protection. The device senses the presence / absence of fluid within the pipe, stops the pump and alerts the operator.



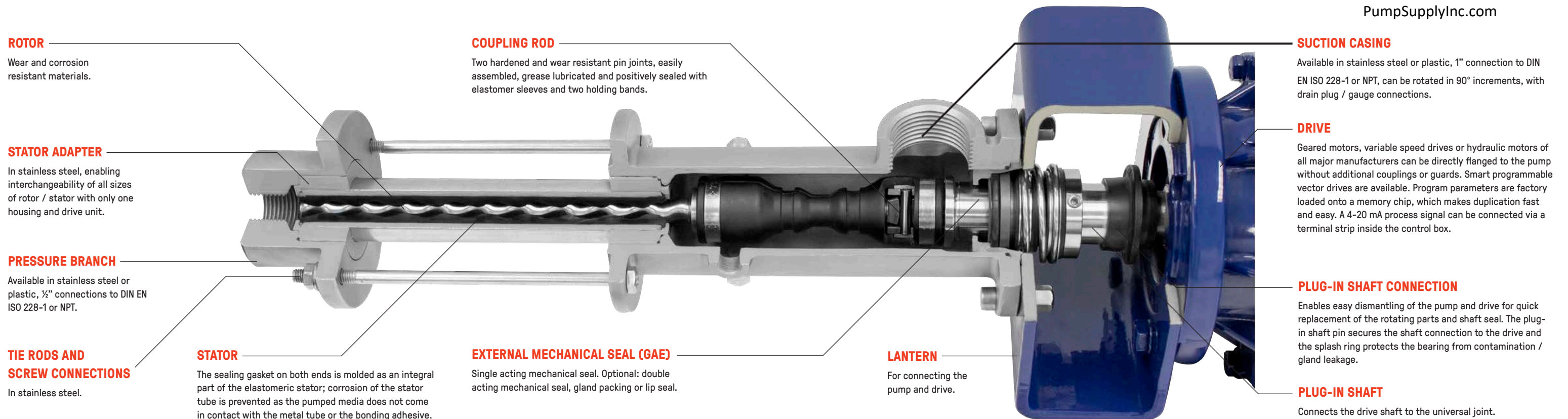
**Illinois Location:**

(847) 841-7867  
 860 Church Rd Elgin, IL 60123

**Minnesota Location:**

(651) 758-7867  
 330 Mill Bay South Suite 1511 Afton, MN 55001

PumpSupplyInc.com





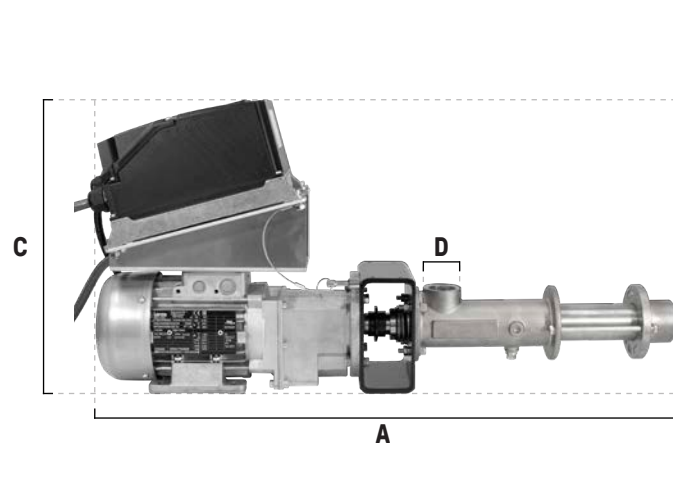


# PUMP DIMENSIONS.



IMPs are compact pumps with big pumping power requiring only a small footprint. After you have identified your pump model from the charts on the previous page, use the below chart to obtain dimensional information. Please contact SEEPEX for exact drawings and specifications.

PUMP MODEL	A STAINLESS (A6)	A CPVC (BU)	B WIDTH	C HEIGHT	D SUCTION	E DISCHARGE
05-6LT	25 5/16"	25 3/4"	5 1/2"	12 1/32"	1" NPT	1/2" NPT
025-12T	25 5/16"	25 3/4"				
025-6L	25 5/16"	25 3/4"				
012-24	30 2 1/32"	30 7/8"				
012-12	25 5/16"	25 3/4"				
006-24	29 3/32"	29 3/32"				
006-12	24 3/4"	24 15/16"				
003-24	26 15/32"	26 2 1/32"				
003-12	23 7/16"	24 1 1/16"				
0015-24	23 7/16"	24 1 1/16"				
0005-24	23 7/16"	24 1 1/16"				



**Illinois Location:**  
(847) 841-7867  
860 Church Rd Elgin, IL 60123

**Minnesota Location:**  
(651) 758-7867  
330 Mill Bay South Suite 1511 Afton, MN 55001

PumpSupplyInc.com

# IMPROVED PROCESS CONTROL. BRAVO CHEMICAL METERING SYSTEMS.

## SIMPLEX



Experience whole process control, complete reliability and reduced chemical consumption with SEEPEX's BRAVO Chemical Metering Systems. These innovative, plug-and-play, pre-engineered chemical feed systems are the culmination of over three decades of SEEPEX's experience in optimizing progressive cavity pumps, systems and controls.

BRAVO Chemical Metering Systems are an integrated, modular and scalable solutions used in a variety of industries for disinfection, pH control, flocculation, corrosion inhibitors, oxygen scavengers and contaminant elimination.

## FEATURES

- Programmable, precise, low pulsation SEEPEX Intelligent Metering Pumps (IMP)
- Simplified system design reduces initial and operating costs while increasing process dependability
- Single source for pumps and controls
- Standardized modules for system expansion to meet future demands
- Less chemical use

## OPTIONS

- Pre-engineered simplex, duplex, and triplex pump configurations
- Wall or floor mounting
- Vertical (BRAVO V) or horizontal (BRAVO H) pump mounting
- SEEPEX TOUCH: Advanced process controller
- Chemically resistant
- Drip tray
- Pressure gauge
- Calibration column

## DUPLEX



## TRIPLEX



# SEEPEx.

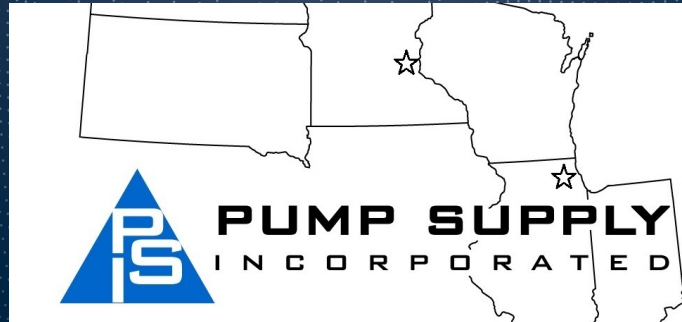
An Ingersoll Rand Business

**SEEPEx Inc.**

**An Ingersoll Rand Business**

[www.seepex.com](http://www.seepex.com)

+1 937 864-7150



**Illinois Location:**

(847) 841-7867

860 Church Rd Elgin, IL 60123

**Minnesota Location:**

(651) 758-7867

330 Mill Bay South Suite 1511 Afton, MN 55001

[PumpSupplyInc.com](http://PumpSupplyInc.com)