



ILX

1" x 1" Centrifugal Transportation Circulator

The ILX is designed for inline liquid booster applications of water or coolant. Cost effective design with splash / weather proof 12 VDC brushed motor.

SPECIFICATIONS:

Suction And Discharge	1" x 1" hose, Optional nozzle inside diameter tapped for 1/2" female NPT connections
Materials Of Construction	Aluminum
Flow	Up to 12 GPM
Head Feet	Up to 17'
Impeller	2.5" semi-open nickel steel
Drive Options	12V DC brushed electric motor
Seal	Carbon / Ceramic / Viton
Base	Stamped steel with (4) vibration isolating grommets
Temperature	Operation in ambient temperatures up to 200°F, Use with fluids to 220°F and sustained fluid temps up to 210°F



Application

- Agricultural
- Commercial
- Industrial
- Marine
- OEM
- Transportation

Features

- Convenient inline volute design
- Dual 18" long 14 AWG red (positive) black (negative) power leads
- Splash and weather resistant enclosure

Illinois Location:

(847) 841-7867
860 Church Rd Elgin, IL 60120

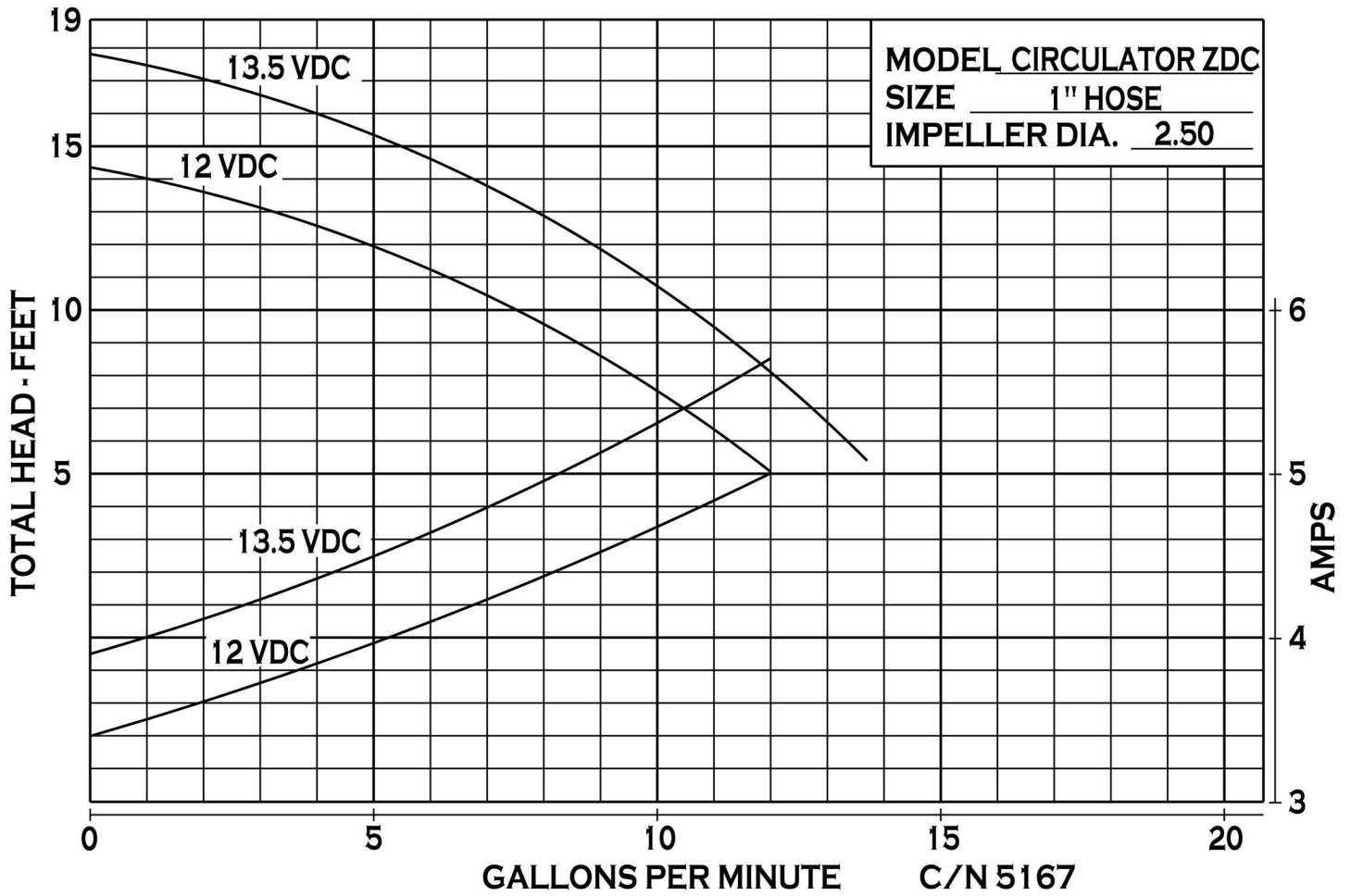
Minnesota Location:

(651) 758-7867
330 Mill Bay South Suite 100
Afton, MN 55001

PumpSupplyInc.com



PUMP SUPPLY
INCORPORATED



Illinois Location:
 (847) 841-7867
 860 Church Rd Elgin, IL 60120

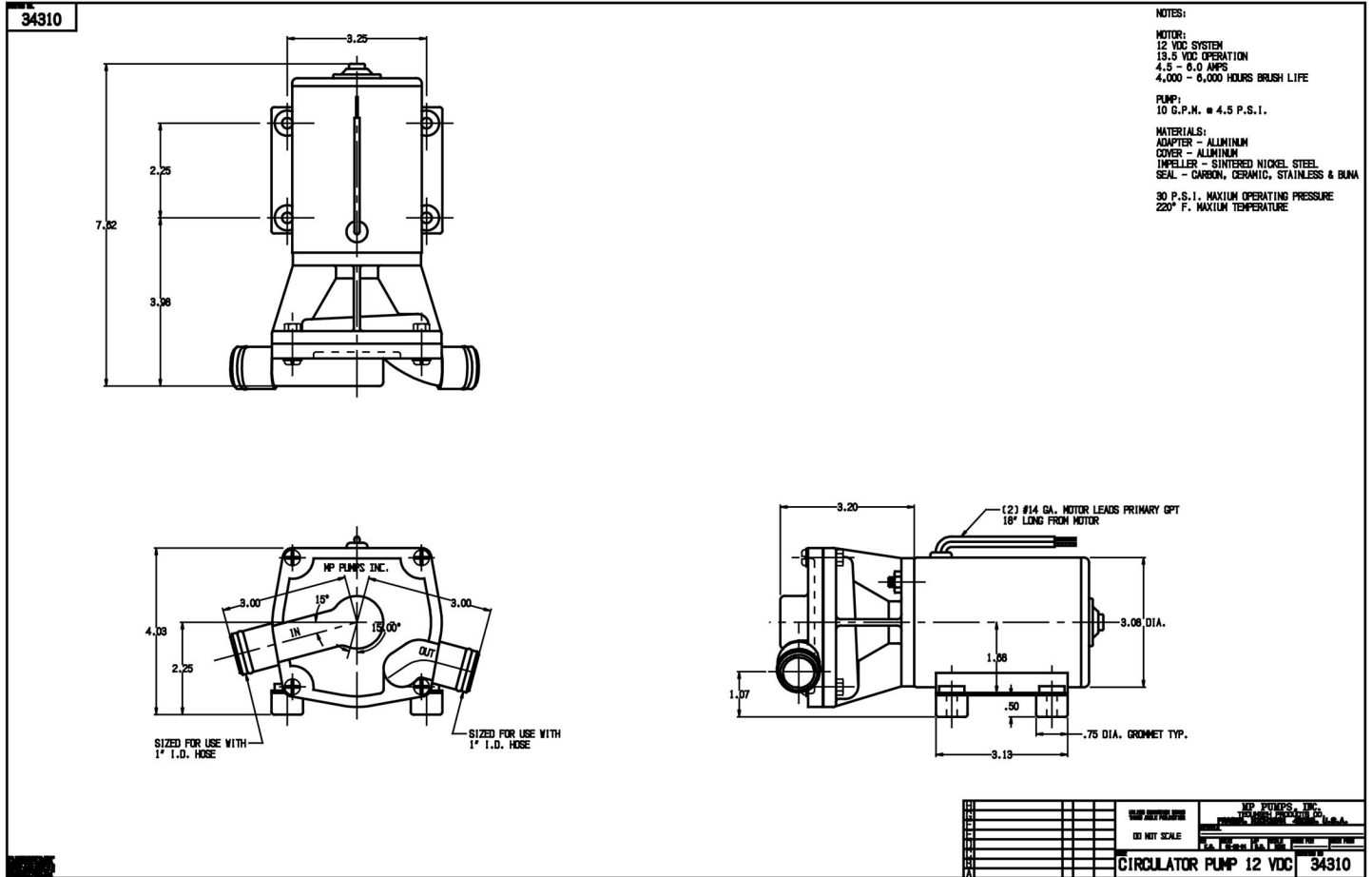
Minnesota Location:
 (651) 758-7867
 330 Mill Bay South Suite
 Afton, MN 55001

PumpSupplyInc.com



PS **PUMP SUPPLY**
 INCORPORATED





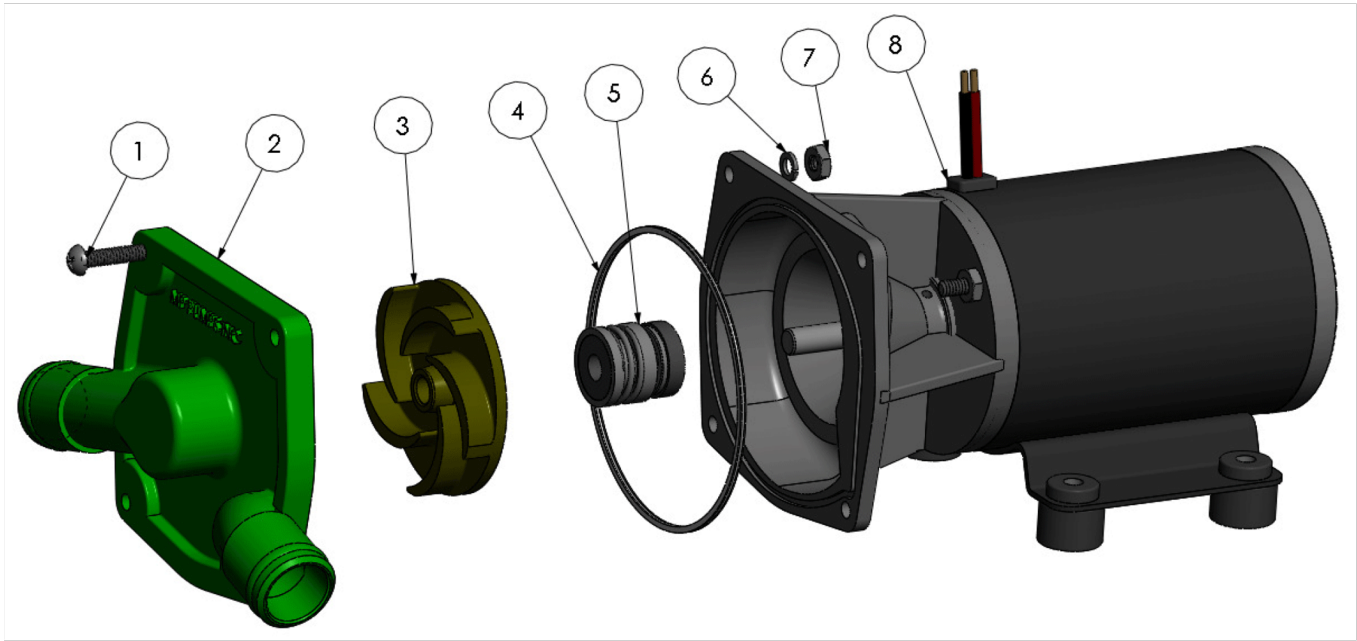
Illinois Location:
 (847) 841-7867
 860 Church Rd Elgin, IL 60120

Minnesota Location:
 (651) 758-7867
 330 Mill Bay South Suite
 Afton, MN 55001

PumpSupplyInc.com

PUMP SUPPLY
 INCORPORATED





PART NO.	ITEM NO.	DESCRIPTION	QTY.	PART NO.	ITEM NO.	DESCRIPTION	QTY.
34300	1	CAPSCREW ZPS - #10-24 X 7/8 LG.	4	21621	6	LOCKWASH S.S. - #10	4
34306	2	VOLUTE COVER A	1	31767	7	HEXNUT S.S. - #10-24	4
21587	3	IMPELLER STL. - Ø2.5	1	34307	8	ELE MOTOR 12 VDC W/ADAPT.	1
* 34301	4	QUAD RING - BUNA	1				
* 28984	5	SEAL ASSY. - TYPE 16	1				

* - RECOMMENDED REPLACEMENT PARTS

Illinois Location:
 (847) 841-7867
 860 Church Rd Elgin, IL 60120

Minnesota Location:
 (651) 758-7867
 330 Mill Bay South Suite
 Afton, MN 55001

PumpSupplyInc.com

