

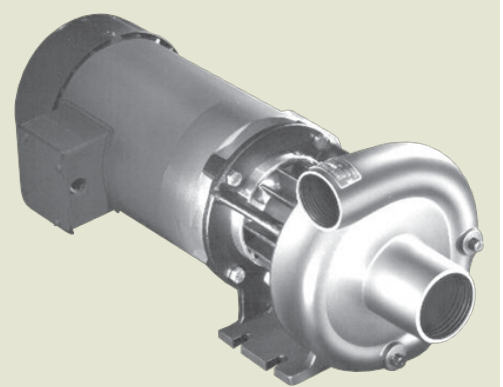


HTO™ 80

1-1/2" x 1-1/4" End Suction Centrifugal Hot Oil Pump

HTO80 is a patented, unique centrifugal pump designed for high temperature applications, such as the plastics, chemical, food and processing industries. The pump can be used in horizontal or vertical positions and is available with or without an electric motor. It is designed to greatly reduce the temperature at the seal by utilizing ambient air temperature which greatly increases seal life.

Want to learn more about using pumps with heat transfer fluids? Click here to view "Using Pumps with Heat Transfer Fluids" an article featured in Process Heating Magazine written by MP Pumps' Chief Engineer.



SPECIFICATIONS:

Suction And Discharge	1-1/2" x 1-1/4" NPT or flat flange option
Materials Of Construction	Ductile iron
Flow	Up to 85 GPM
Head Feet	Up to 130'
Impeller	5.9" steel, enclosed
Motor	Up to 3 HP
Drive Options	Close coupled 56C, Close coupled 145TC, Pedestal, PumPAK® (without motor)
Seal	Carbon / silicon carbide / Viton
Temperature	650°F max

Application

- Industrial
- OEM

Drive Sleeve

- Hardened 303 stainless steel

Features

- Isolated air cooled seal chamber

Illinois Location:

(847) 841-7867

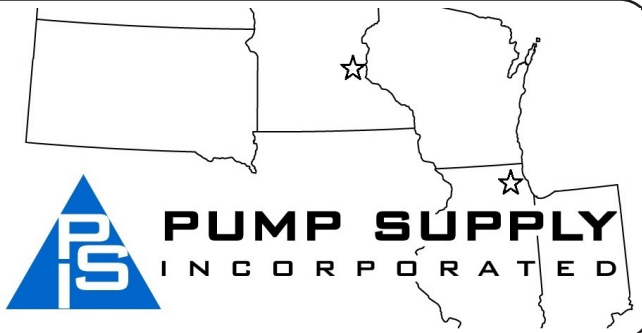
860 Church Rd Elgin, IL 60120

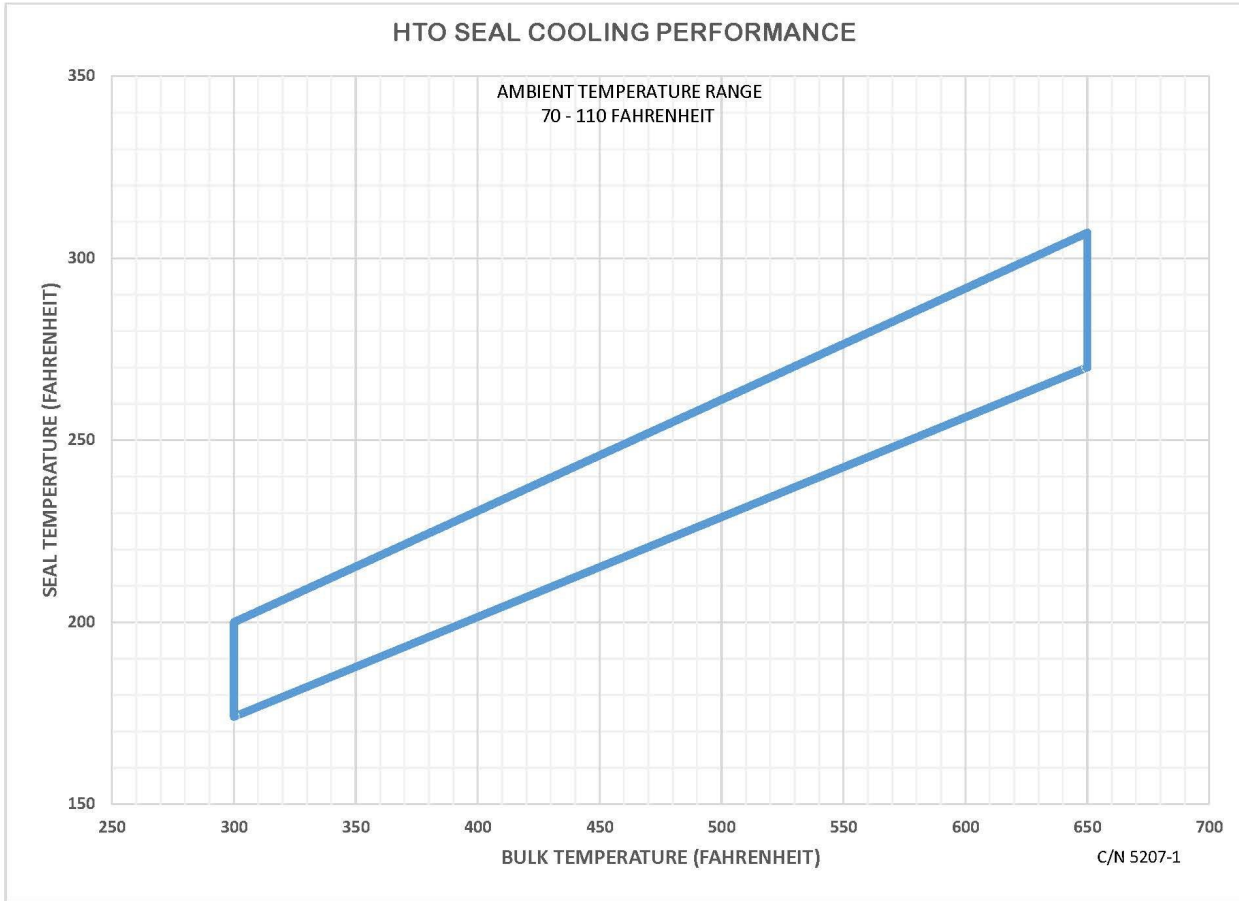
Minnesota Location:

(651) 758-7867

330 Mill Bay South Suite :
Afton, MN 55001

PumpSupplyInc.com






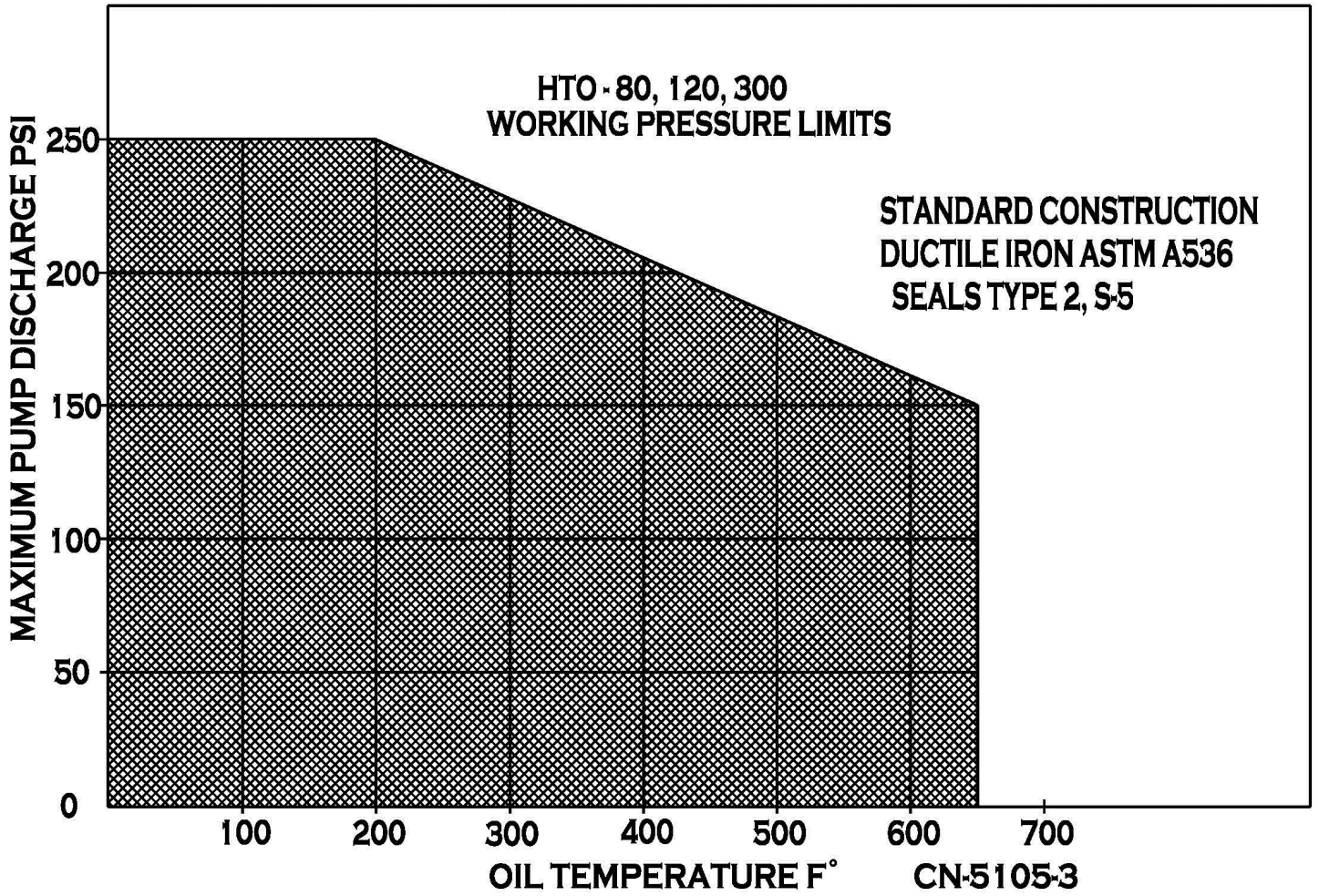
Illinois Location:
(847) 841-7867
860 Church Rd Elgin, IL 60120

Minnesota Location:
(651) 758-7867
330 Mill Bay South Suite :
Afton, MN 55001

PumpSupplyInc.com



PS **PUMP SUPPLY**
INCORPORATED



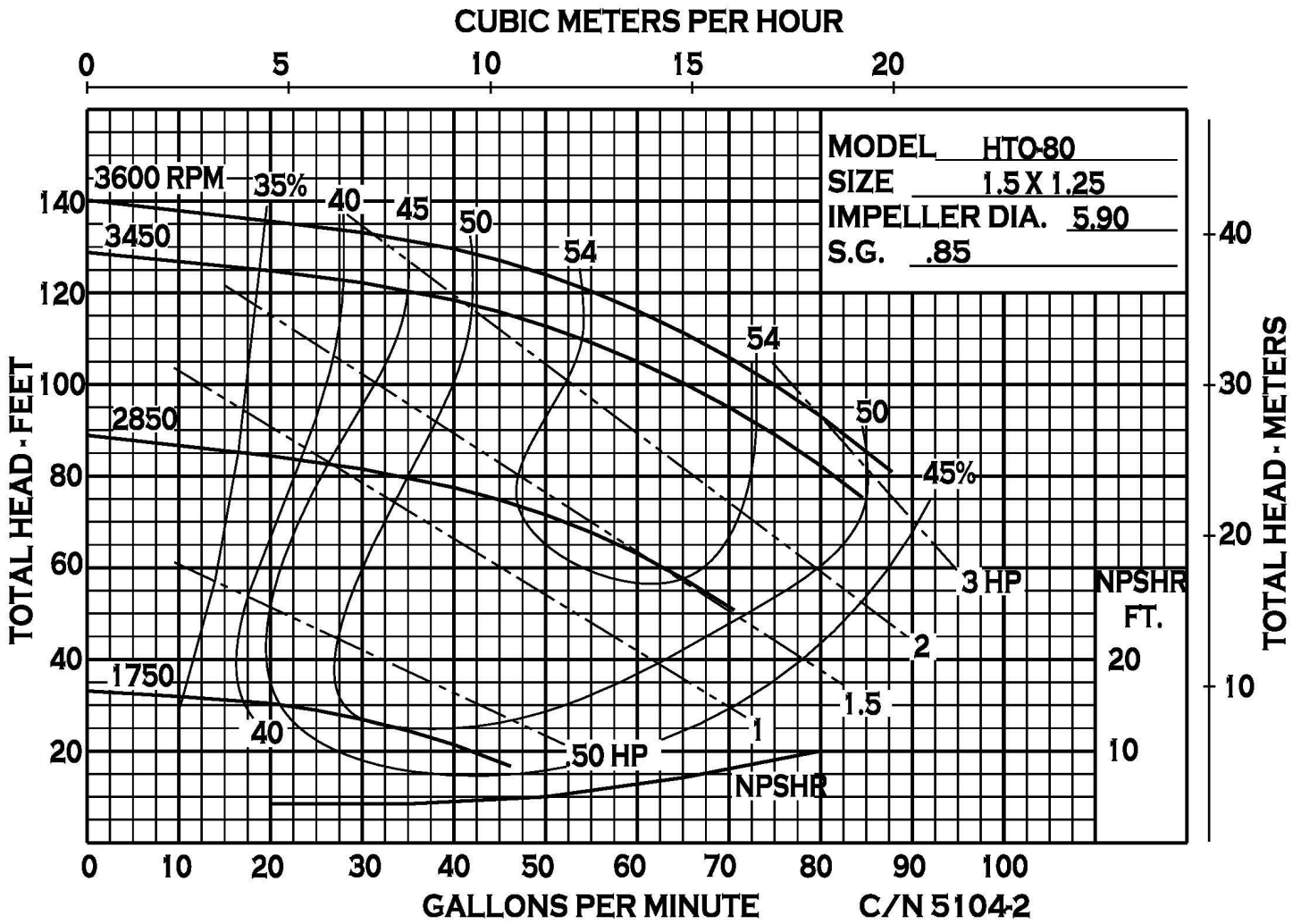
Illinois Location:
(847) 841-7867
860 Church Rd Elgin, IL 60120

Minnesota Location:
(651) 758-7867
330 Mill Bay South Suite 100
Afton, MN 55001

PumpSupplyInc.com

PS **PUMP SUPPLY**
INCORPORATED






Illinois Location:
 (847) 841-7867
 860 Church Rd Elgin, IL 60120

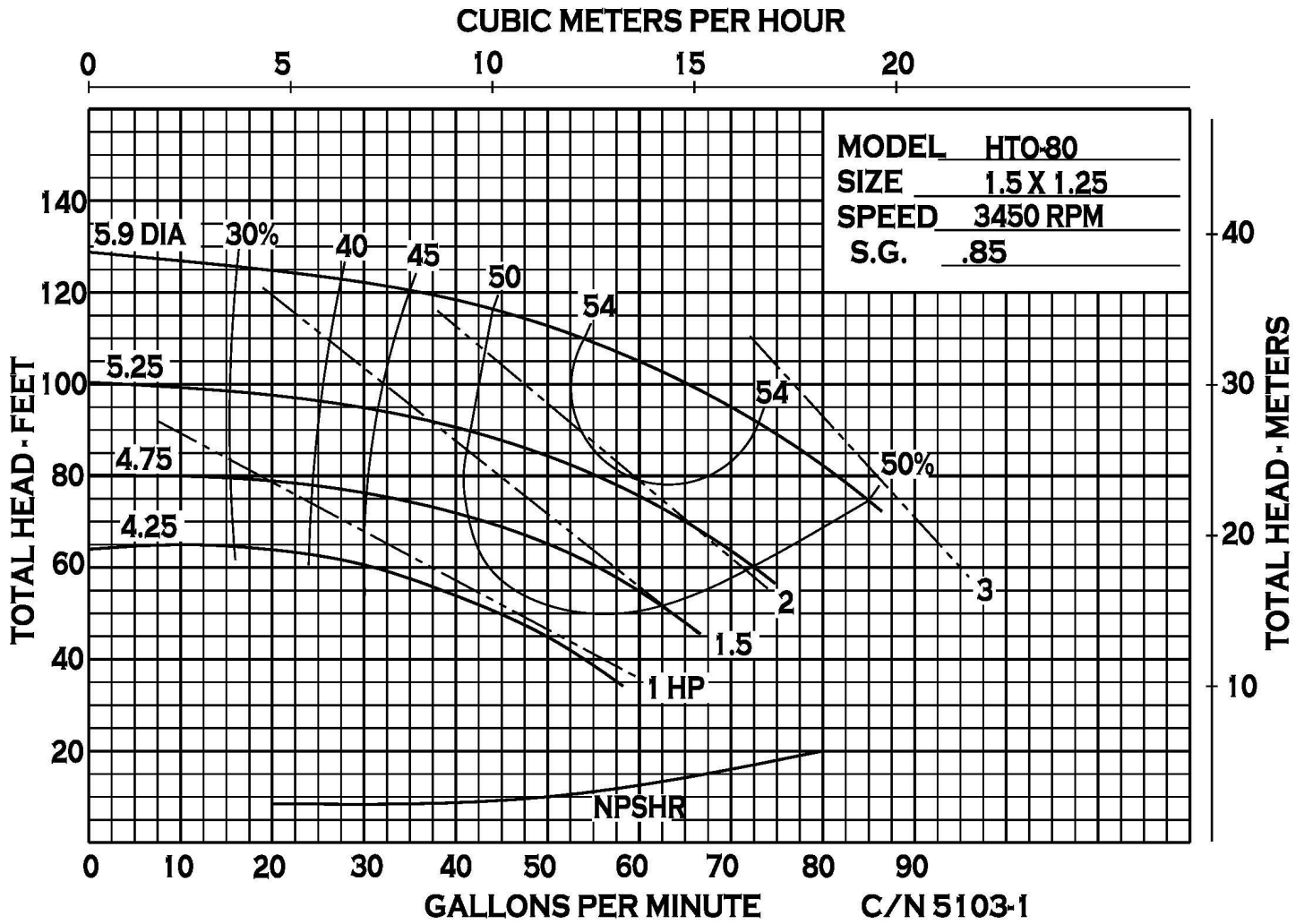
Minnesota Location:
 (651) 758-7867
 330 Mill Bay South Suite
 Afton, MN 55001

PumpSupplyInc.com



PS **PUMP SUPPLY**
INCORPORATED






Illinois Location:
 (847) 841-7867
 860 Church Rd Elgin, IL 61120

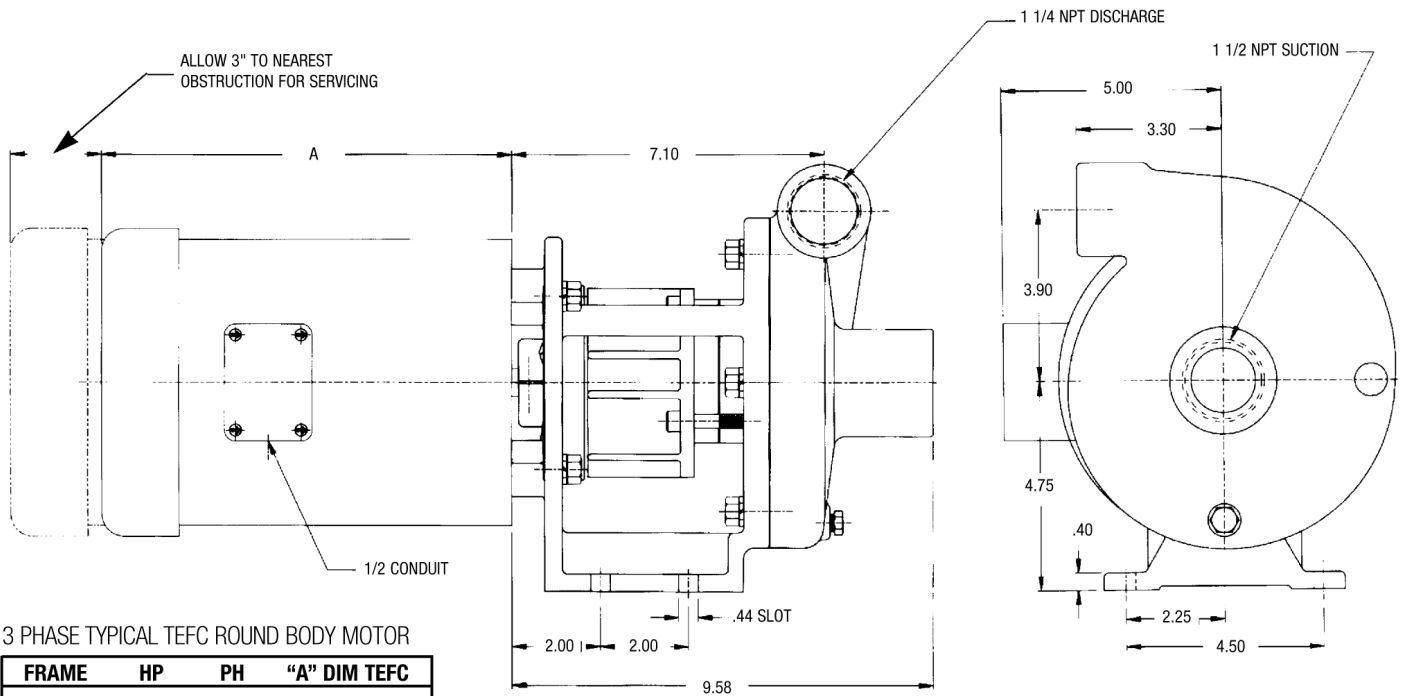
Minnesota Location:
 (651) 758-7867
 330 Mill Bay South Suite
 Afton, MN 55001

PumpSupplyInc.com



PS **PUMP SUPPLY**
INCORPORATED





3 PHASE TYPICAL TEFC ROUND BODY MOTOR

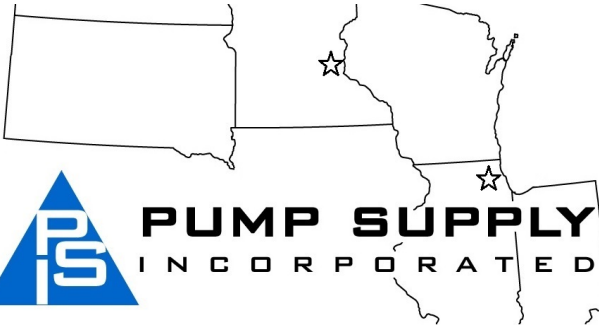

FRAME	HP	PH	"A" DIM TEFC
56C	1	3	9.31
56C	1.5	3	9.94
56C	2	3	11.25
56C	3	3	12.12

Pump dimensions certifiable for construction purposes.
 Motor dimensions dependent upon motor manufacturer.

Illinois Location:
 (847) 841-7867
 860 Church Rd Elgin, IL 60120

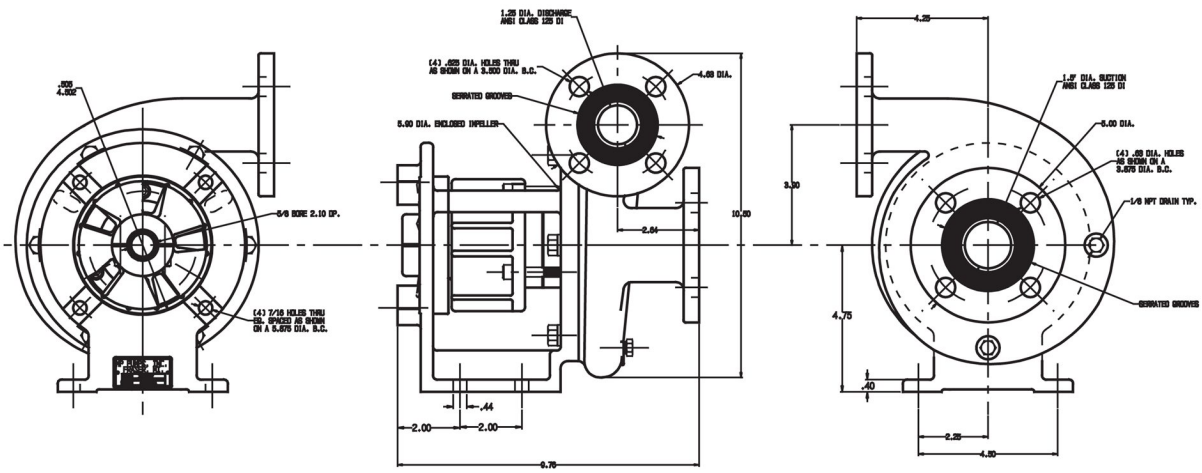
Minnesota Location:
 (651) 758-7867
 330 Mill Bay South Suite :
 Afton, MN 55001

PumpSupplyInc.com

PUMP SUPPLY
 INCORPORATED

31672



SERIES 80	
HTO-80	INST. DIM. 31672

Illinois Location:

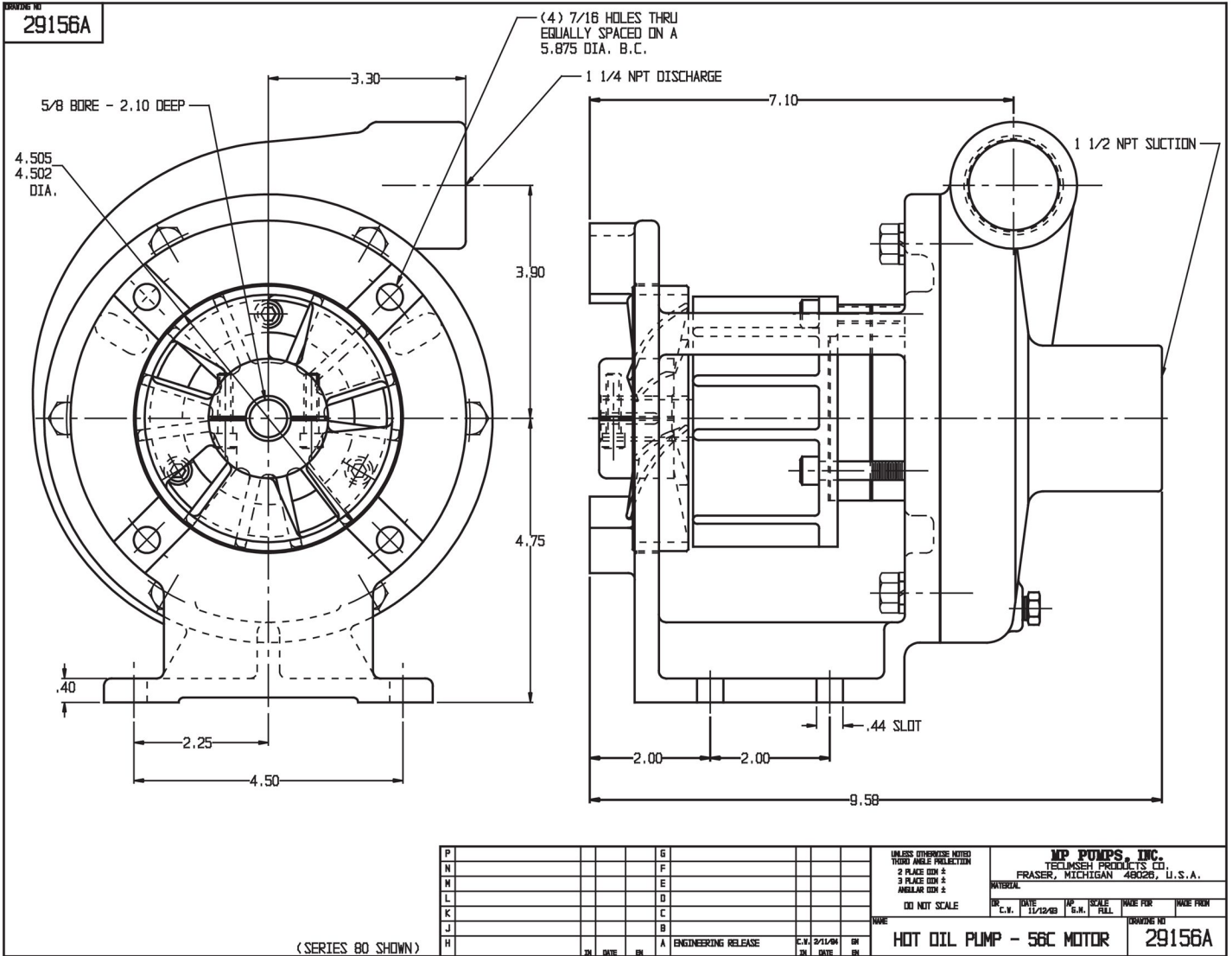
(847) 841-7867
860 Church Rd Elgin, IL 60120

Minnesota Location:

(651) 758-7867
330 Mill Bay South Suite :
Afton, MN 55001

PumpSupplyInc.com





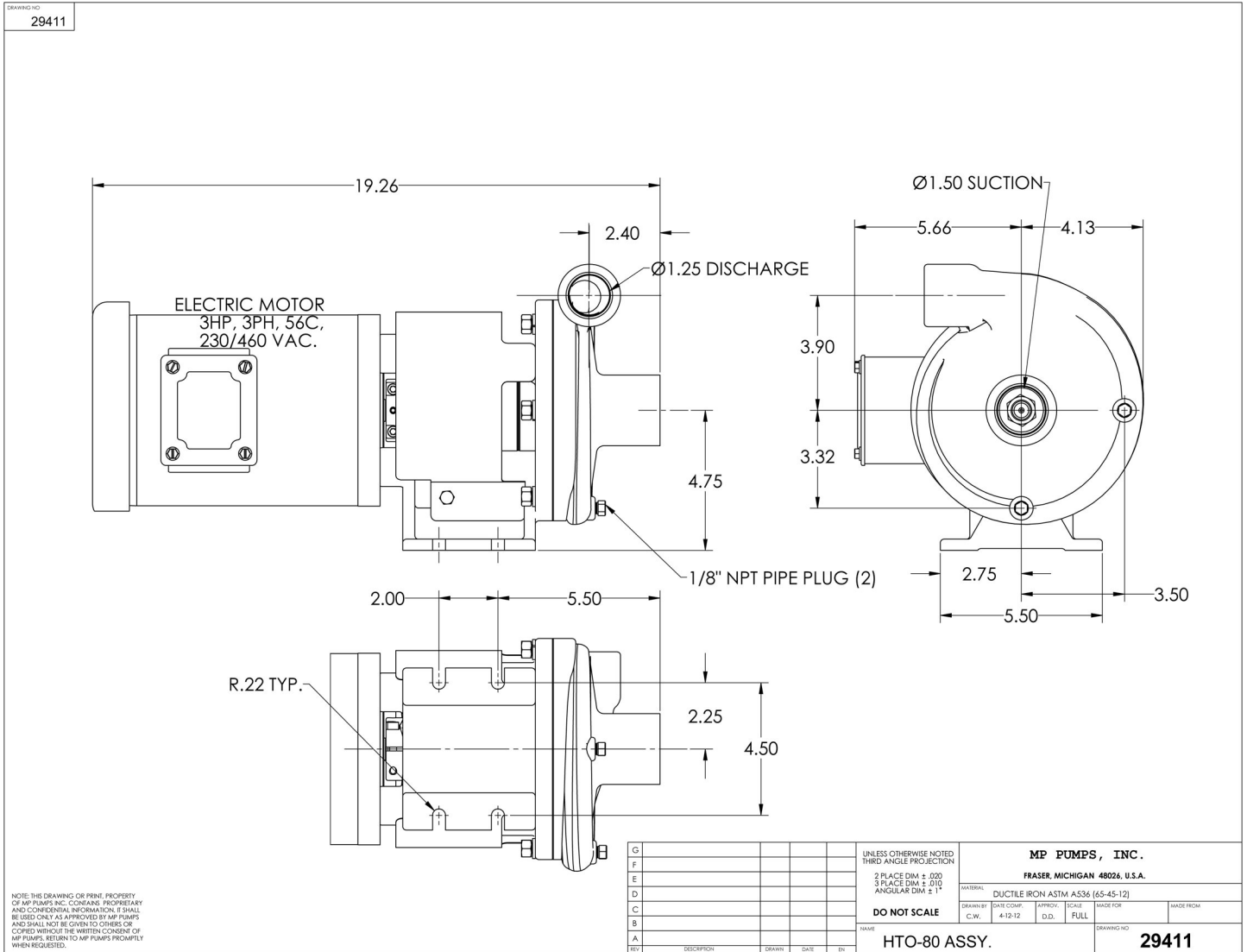
Illinois Location:
(847) 841-7867
860 Church Rd Elgin, IL 60120

Minnesota Location:
(651) 758-7867
330 Mill Bay South Suite 100
Afton, MN 55001

PumpSupplyInc.com

PUMP SUPPLY INCORPORATED





NOTE: THIS DRAWING OR PRINT, PROPERTY OF MP PUMPS INC. CONTAINS PROPRIETARY AND CONFIDENTIAL INFORMATION. IT SHALL BE USED ONLY AS APPROVED BY MP PUMPS AND SHALL NOT BE GIVEN TO OTHERS OR COPIED WITHOUT THE WRITTEN CONSENT OF MP PUMPS. RETURN TO MP PUMPS PROMPTLY WHEN REQUESTED.

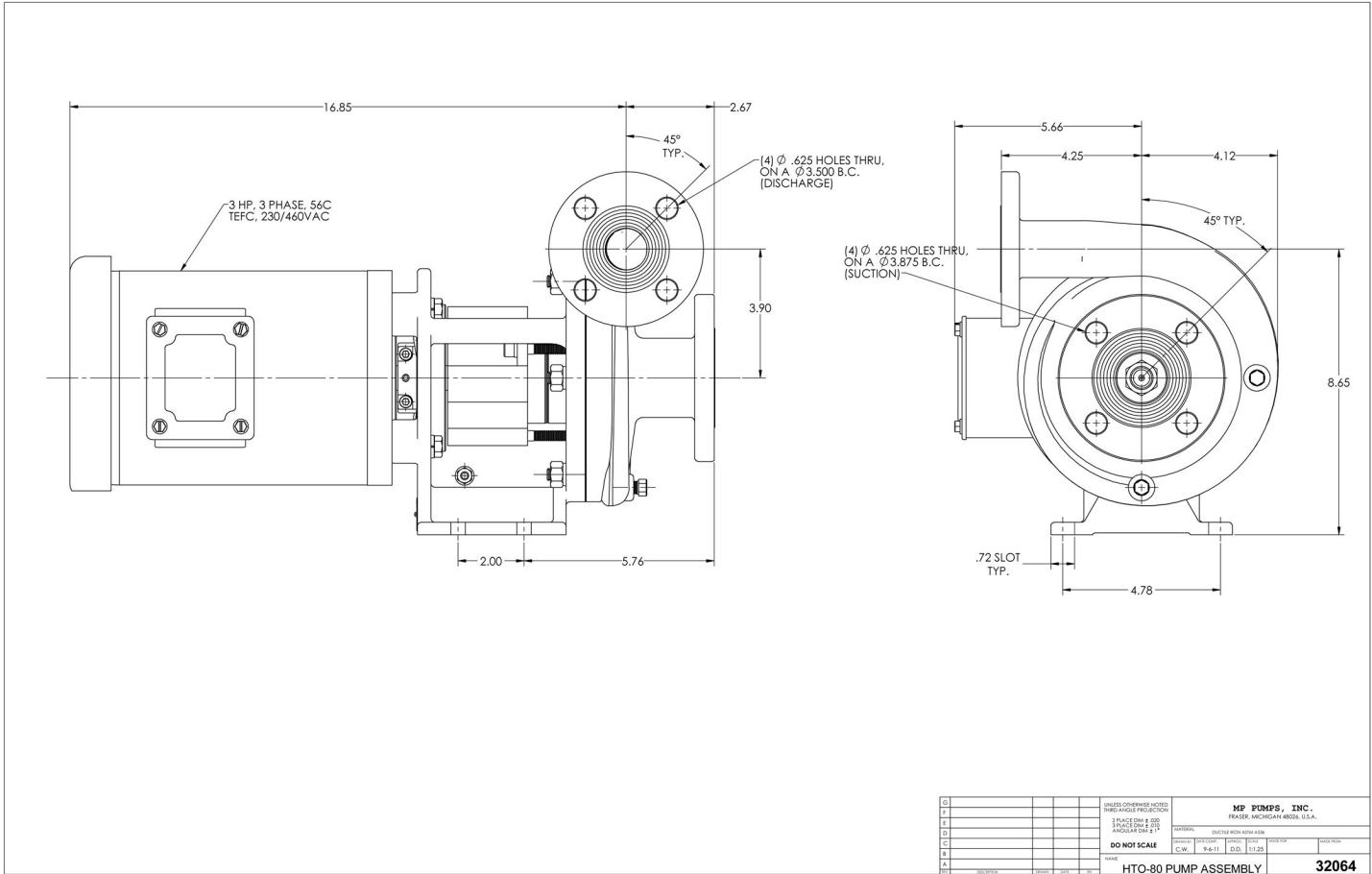
Illinois Location:
(847) 841-7867
860 Church Rd Elgin, IL 60

Minnesota Location:
(651) 758-7867
330 Mill Bay South Suite :
Afton, MN 55001

PumpSupplyInc.com

PUMP SUPPLY
INCORPORATED





Illinois Location:
 (847) 841-7867
 860 Church Rd Elgin, IL 60120

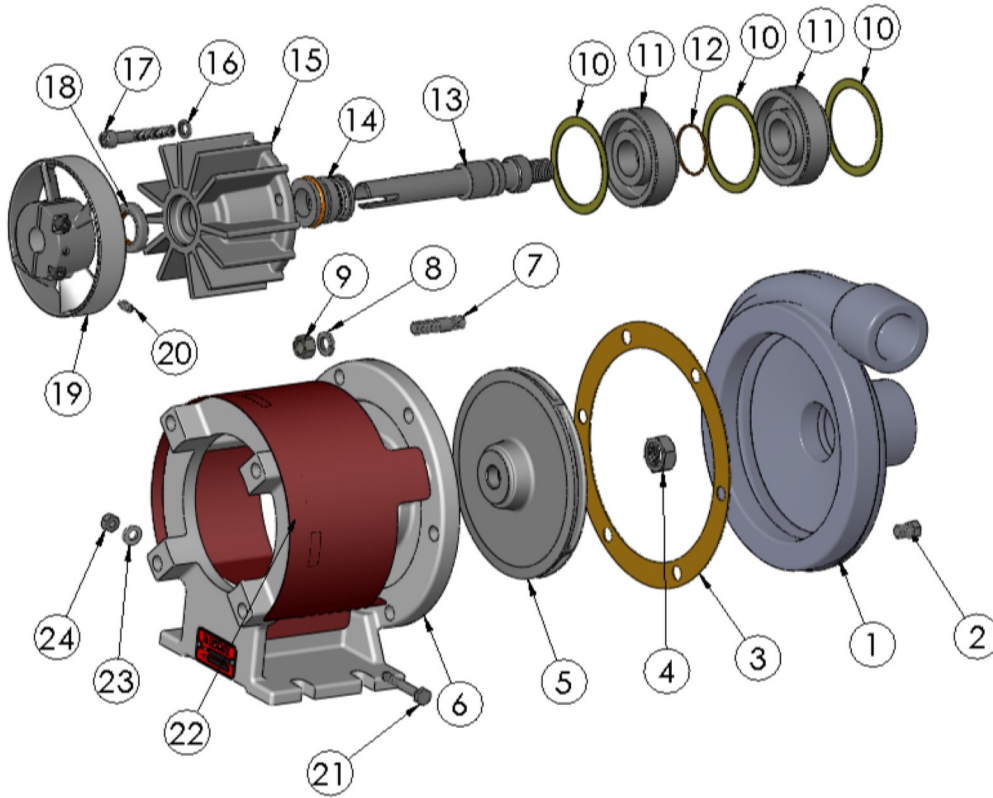
Minnesota Location:
 (651) 758-7867
 330 Mill Bay South Suite :
 Afton, MN 55001

PumpSupplyInc.com

PUMP SUPPLY
INCORPORATED



29156





ITEM	PART NO.	DESCRIPTION	QTY.	ITEM	PART NO.	DESCRIPTION	QTY.
1	25666	HOUSING- DUCTILE IRON	1	13	29166	DRIVE SLEEVE S.S. - 56C	1
2	21585	PIPE PLUG- 1/8 NPT ZPS	2	* 14	29168	SEAL ASSY - 3/4 T-21 CAR/SIC	1
* 3	31518	GASKET- HOUSING	1	15	29162	SEAL HOUSING D - HTO80	1
4	22655	HEX JAM NUT ZPS - 5/8-18	1	16	29765	WASHER FLAT STL	3
5	25910	IMPELLER 5.90 DIA- STL.	1	17	29178	CAPSCREW STL: 5/16-18 X 2"	3
6	29160	ADAPTOR- DUCTILE IRON	1	* 18	29167	LIP SEAL- VITON	1
7	21261	STUD SS: 3/8-16 X 1.63"	6	19	29164	FAN CLAMP- DUCTILE IRON	1
8	21266	LOCKWASHER SS- 3/8"	6	20	33417	SET SCREW STL: 1/4-28	1
9	21268	HEXNUT SS: 3/8-16	6	21	33810	CAPSCREW ZPS - 5/16-18 X 1.75	1
* 10	29165	GASKET- ISOLATOR	3	22	33273	SHIELD ZPS - HTO80 & 120	1
* 11	29158	ISOLATOR	2	23	27261	WASHER STL - 7.2MM	1
* 12	29230	O-RING - VITON	1	24	21241	HEXNUT S.S. - 1/4-20	1

* RECOMMENDED REPLACEMENT PARTS

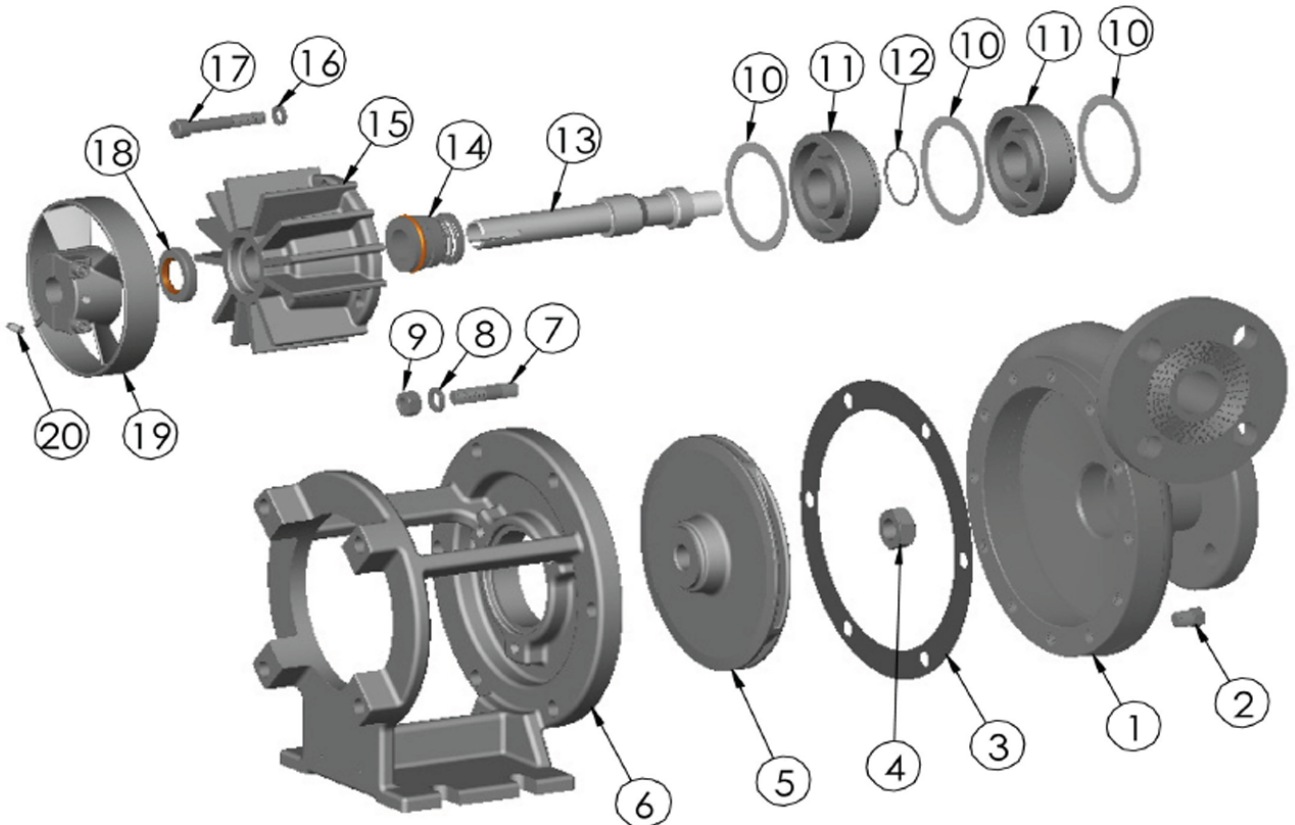
Illinois Location:
 (847) 841-7867
 860 Church Rd Elgin, IL 60120

Minnesota Location:
 (651) 758-7867
 330 Mill Bay South Suite :
 Afton, MN 55001

PumpSupplyInc.com





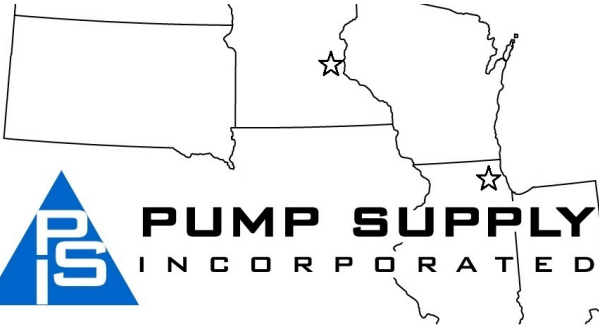

ITEM	PART NO.	DESCRIPTION	QTY.
1	31871	HOUSING- DUCTILE IRON	1
2	21585	PIPE PLUG- 1/8 NPT ZPS	2
3	31518	GASKET- HOUSING	1
4	22655	HEX JAM NUT: 5/8-18	1
5	25910	IMPELLER 5.90 DIA- DUCTILE IRON	1
6	29160	ADAPTOR- DUCTILE IRON	1
7	21261	STUD SS: 3/8-16 X 1.63"	6
8	21266	LOCKWASHER SS- 3/8"	6
9	21268	HEXNUT SS: 3/8-16	6
10	29165	GASKET- ISOLATOR	3

ITEM	PART NO.	DESCRIPTION	QTY.
11	29158	ISOLATOR	2
12	29230	O-RING: VITON	1
13	29166	DRIVE SLEEVE: 56C	1
14	29168	SEAL ASSEMBLY	1
15	29162	SEAL HOUSING- DUCTILE IRON	1
16	29765	WASHER STL	3
17	29178	CAPSCREW STL: 5/16-18	3
18	29167	LIP SEAL- VITON	1
19	29164	FAN CLAMP- DUCTILE IRON	1
20	33417	SET SCREW STL: 1/4-28	1

Illinois Location:
 (847) 841-7867
 860 Church Rd Elgin, IL 60120

Minnesota Location:
 (651) 758-7867
 330 Mill Bay South Suite :
 Afton, MN 55001

PumpSupplyInc.com

PUMP SUPPLY
INCORPORATED

