

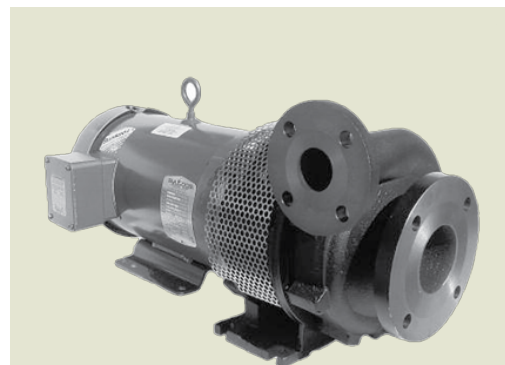


# HTO™ 180

## 3" x 1-1/2" End Suction Centrifugal Hot Oil Pump

HTO180 is a patented, unique centrifugal pump designed for high temperature applications, such as the plastics, chemical, food and processing industries. The pump can be used in horizontal or vertical positions and is available with or without an electric motor. It is designed to greatly reduce the temperature at the seal by utilizing ambient air temperature which greatly increases seal life.

Want to learn more about using pumps with heat transfer fluids? Click here to view "Using Pumps with Heat Transfer Fluids" an article featured in Process Heating Magazine written by MP Pumps' Chief Engineer.



### SPECIFICATIONS:

Suction And Discharge	3" x 1-1/2" ANSI 150# flat flange
Materials Of Construction	Ductile iron
Flow	Up to 320 GPM
Head Feet	Up to 160'
Impeller	6.45"
Motor	Up to 10 HP
Drive Options	Close coupled 184TC, Close coupled 215TC, Pedestal, PumPAK® (without motor)
Seal	Carbon / silicon carbide / Viton, Optional severe duty seal available
Temperature	650°F max

#### Application

- Industrial
- OEM

#### Drive Sleeve

- 303 stainless steel

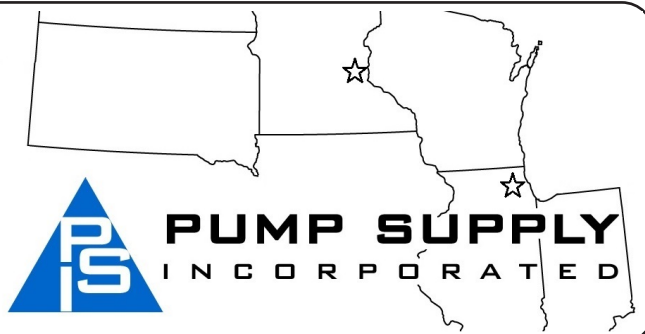
#### Illinois Location:

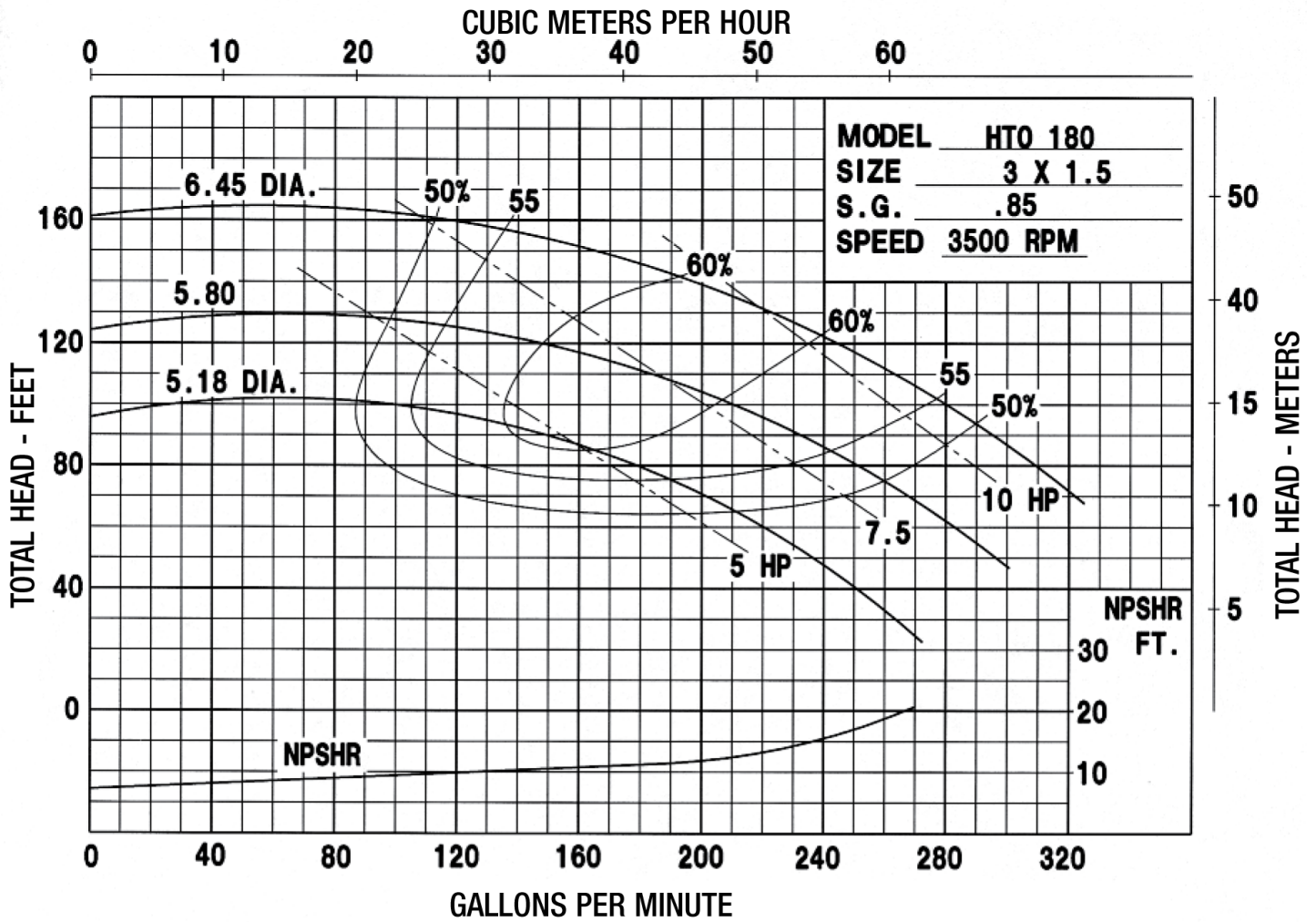
(847) 841-7867  
860 Church Rd Elgin, IL 60120

#### Minnesota Location:

(651) 758-7867  
330 Mill Bay South Suite :  
Afton, MN 55001

PumpSupplyInc.com





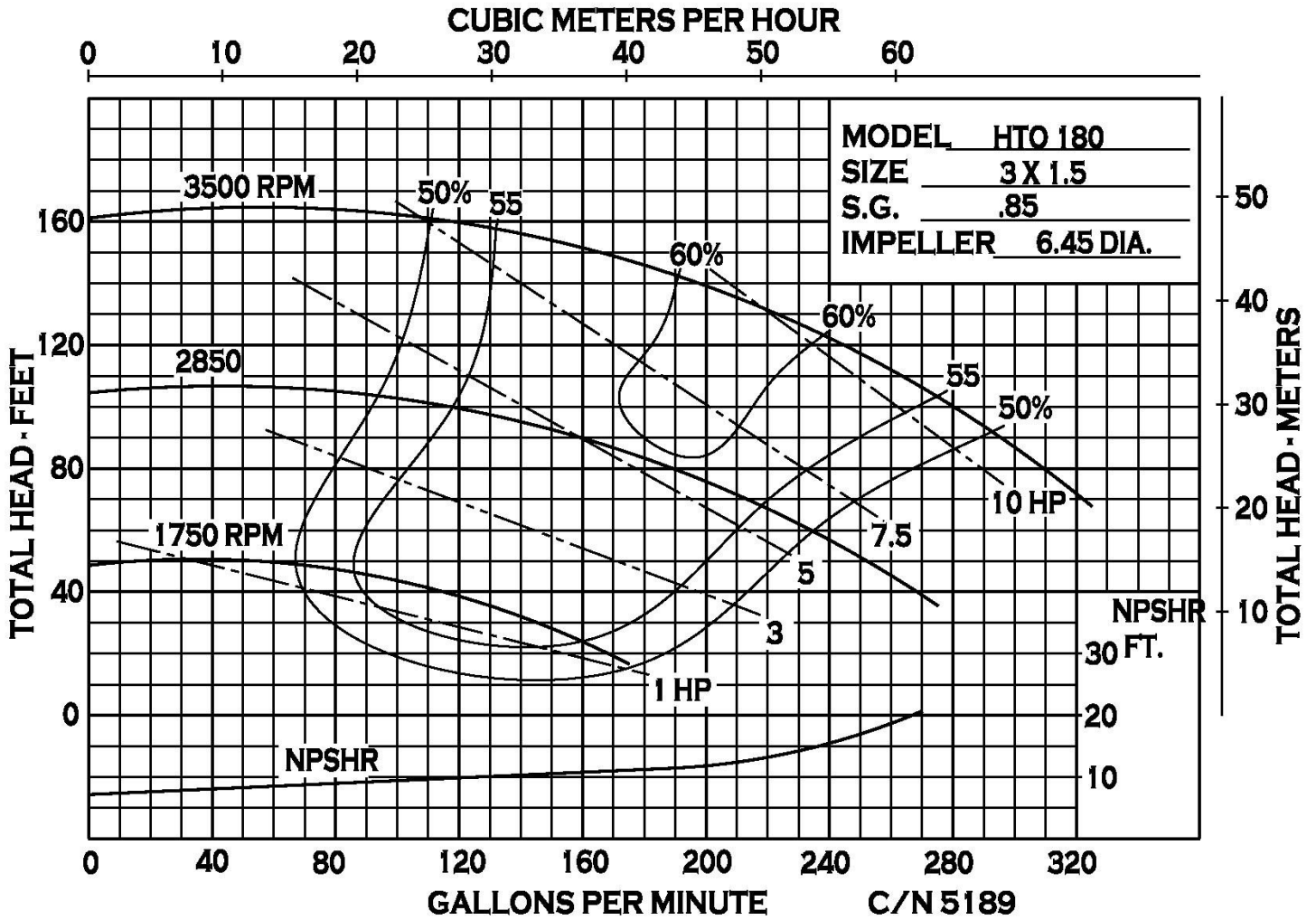
**Illinois Location:**  
 (847) 841-7867  
 860 Church Rd Elgin, IL 60120

**Minnesota Location:**  
 (651) 758-7867  
 330 Mill Bay South Suite 100  
 Afton, MN 55001

PumpSupplyInc.com

**PUMP SUPPLY**  
 INCORPORATED






**Illinois Location:**  
 (847) 841-7867  
 860 Church Rd Elgin, IL 60120

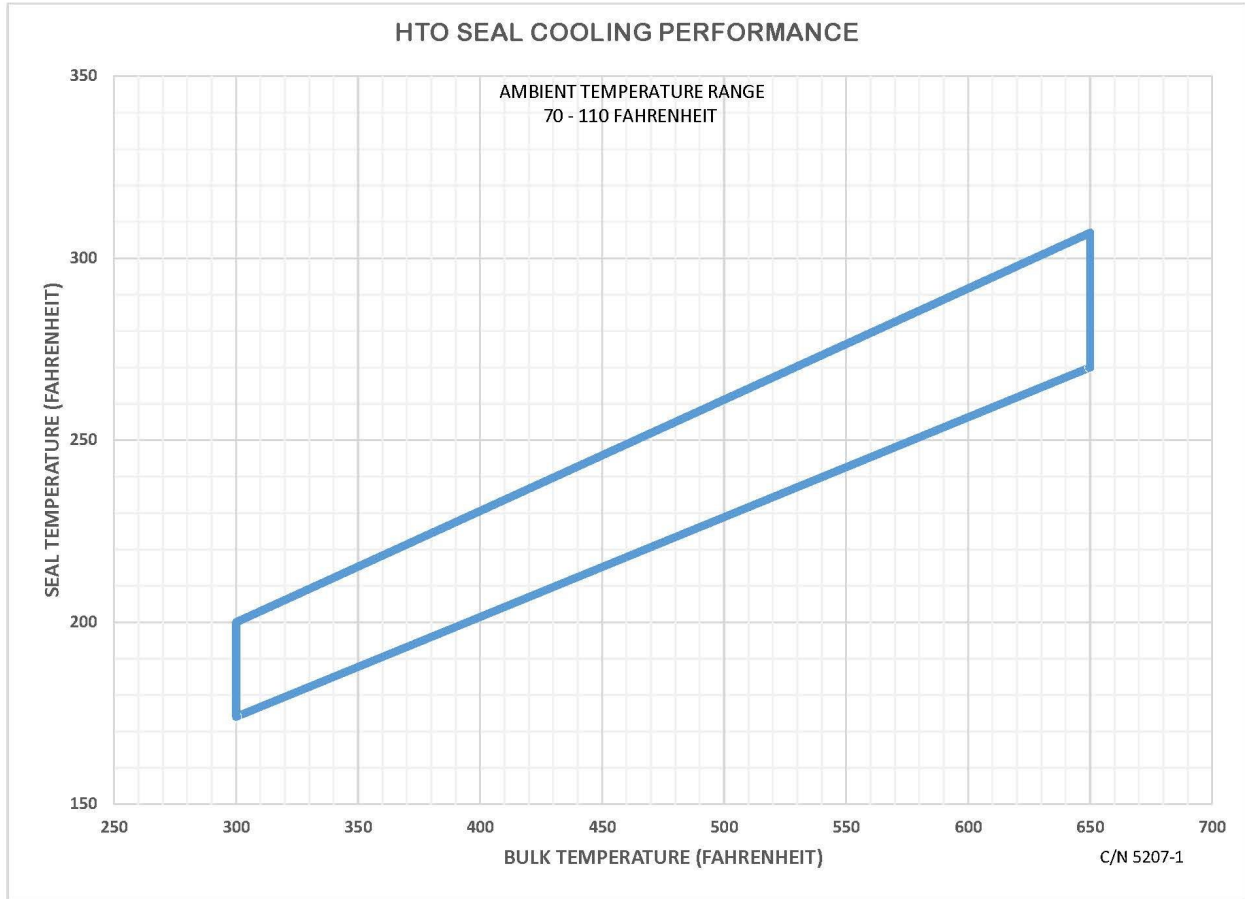
**Minnesota Location:**  
 (651) 758-7867  
 330 Mill Bay South Suite 100  
 Afton, MN 55001

PumpSupplyInc.com



**PS**  
**PUMP SUPPLY**  
**INCORPORATED**






**Illinois Location:**  
(847) 841-7867  
860 Church Rd Elgin, IL 60120

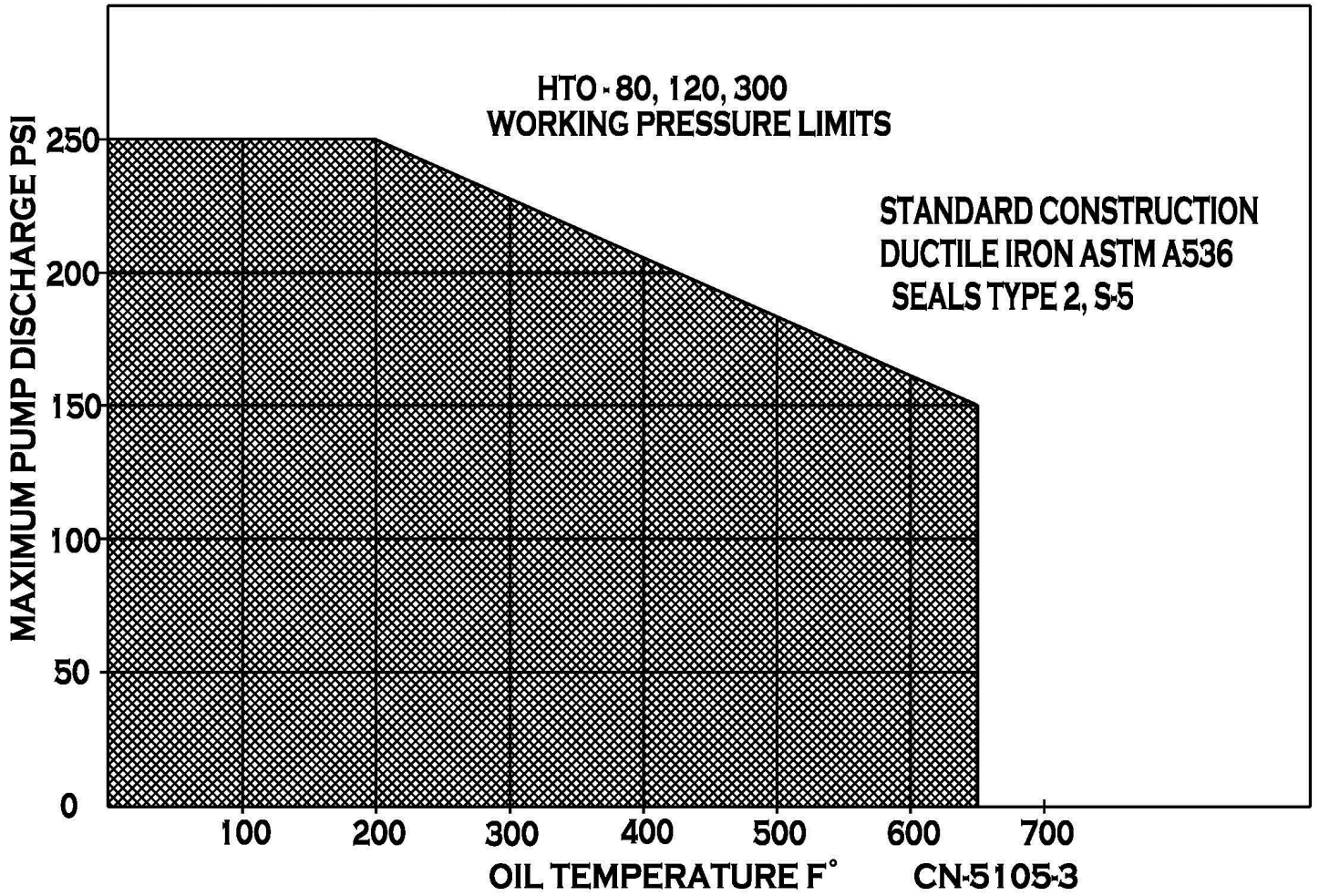
**Minnesota Location:**  
(651) 758-7867  
330 Mill Bay South Suite 100  
Afton, MN 55001

PumpSupplyInc.com



**PS** **PUMP SUPPLY**  
INCORPORATED





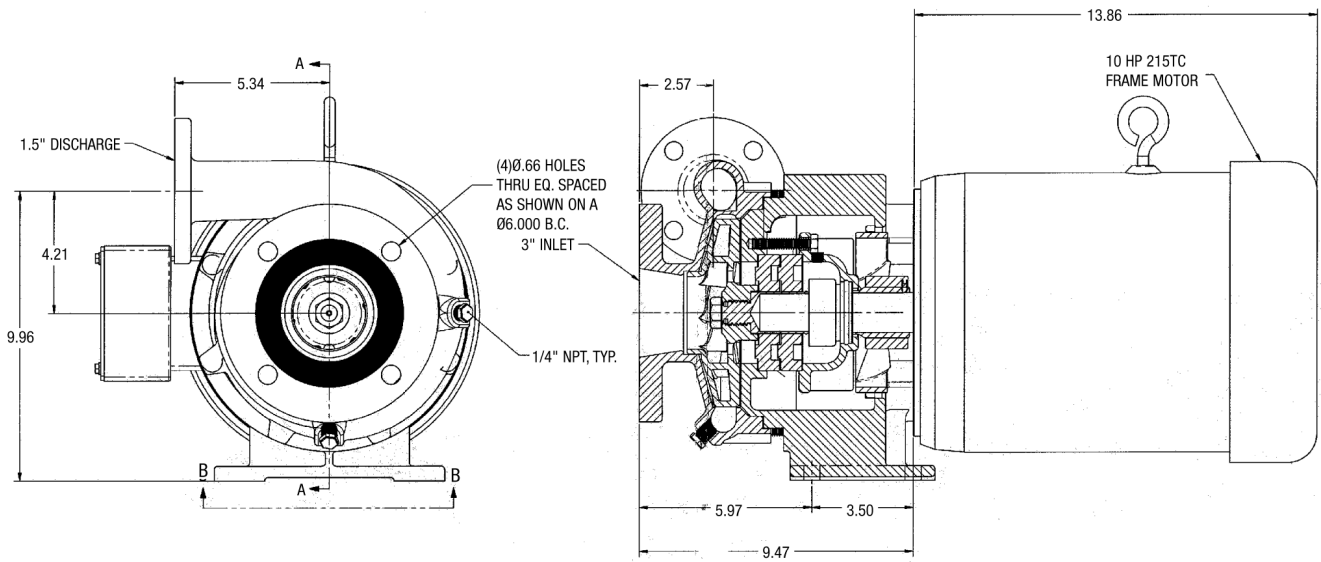
**Illinois Location:**  
(847) 841-7867  
860 Church Rd Elgin, IL 60120


**Minnesota Location:**  
(651) 758-7867  
330 Mill Bay South Suite 100  
Afton, MN 55001


PumpSupplyInc.com

**PS** **PUMP SUPPLY**  
INCORPORATED



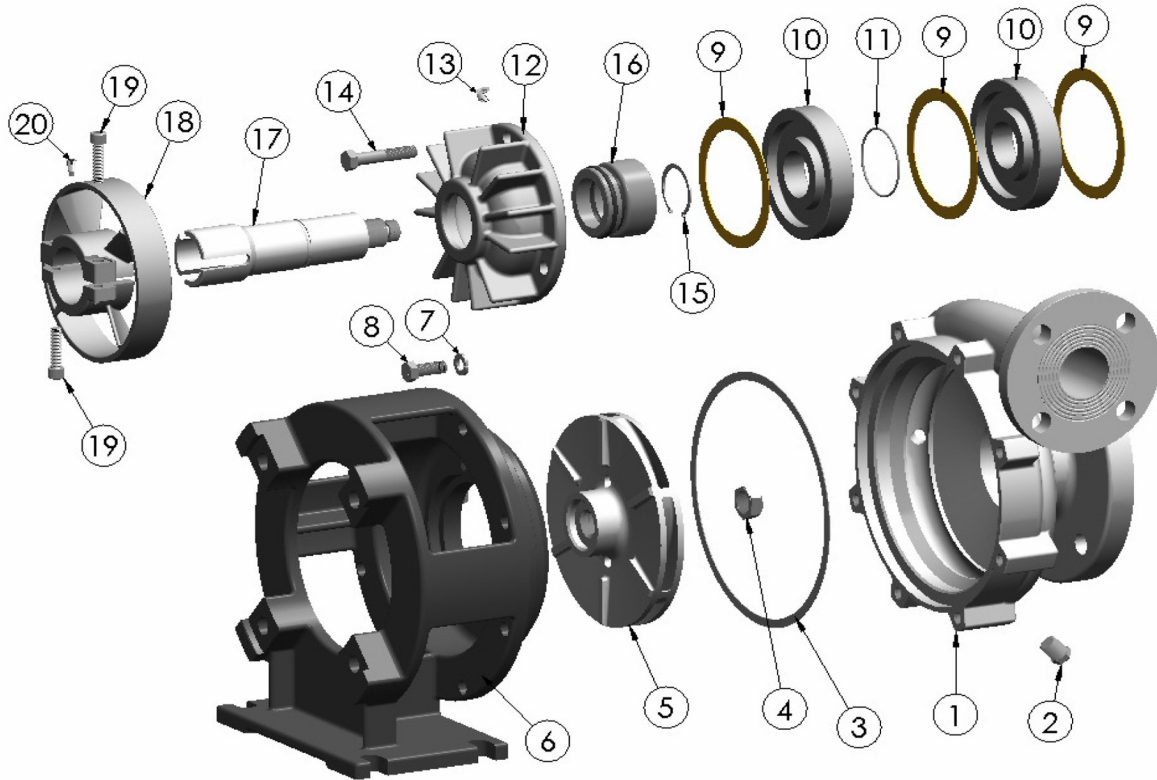


<p><b>Illinois Location:</b>                  (847) 841-7867                  860 Church Rd Elgin, IL 60120</p>	
<p><b>Minnesota Location:</b>                  (651) 758-7867                  330 Mill Bay South Suite 100                  Afton, MN 55001</p>	
<p>PumpSupplyInc.com</p>	



**PUMP SUPPLY**  
INCORPORATED






ITEM	PART NO.	DESCRIPTION	QTY.
1	33503	HOUSING- DUCTILE IRON	1
2	41475	PIPE PLUG- 1/4 NPT ZPS	2
3	31519	GASKET- HOUSING	1
4	25168	HEX JAM NUT	1
5	33505	IMPELLER 6.5 DIA- DUCTILE IRON	1
6	33506	ADAPTOR- DUCTILE IRON	1
7	41256	CAPSCREW STL- 3/8-16 X 1"	8
8	30626	LOCKWASHER STL- 3/8"	8
9	29825	GASKET- ISOLATOR	3
10	30842	ISOLATOR	2
11	30841	O-RING- VITON	1

ITEM	PART NO.	DESCRIPTION	QTY.
12	29830	SEAL HOUSING- DUCTILE IRON	1
13	30824	PIPE PLUG- 1/8 NPT	1
14	21277	CAPSCREW SS- 3/8-16 X 2"	3
15	29826	SNAP RING STL	1
16	30219	SEAL ASSEMBLY (215TC MTR)	1
	33507	SEAL ASSEMBLY (184TC MTR)	1
17	29822	DRIVE SLEEVE (215TC MTR)	1
	33510	DRIVE SLEEVE (184TC MTR)	1
18	29833	FAN CLAMP- D.I. (215TC MTR)	1
	33509	FAN CLAMP- D.I. (184TC MTR)	1
19	30264	CAPSCREW STL- 5/16-18 X 1.25"	2
20	33417	SET SCREW STL- 1/4-28	1

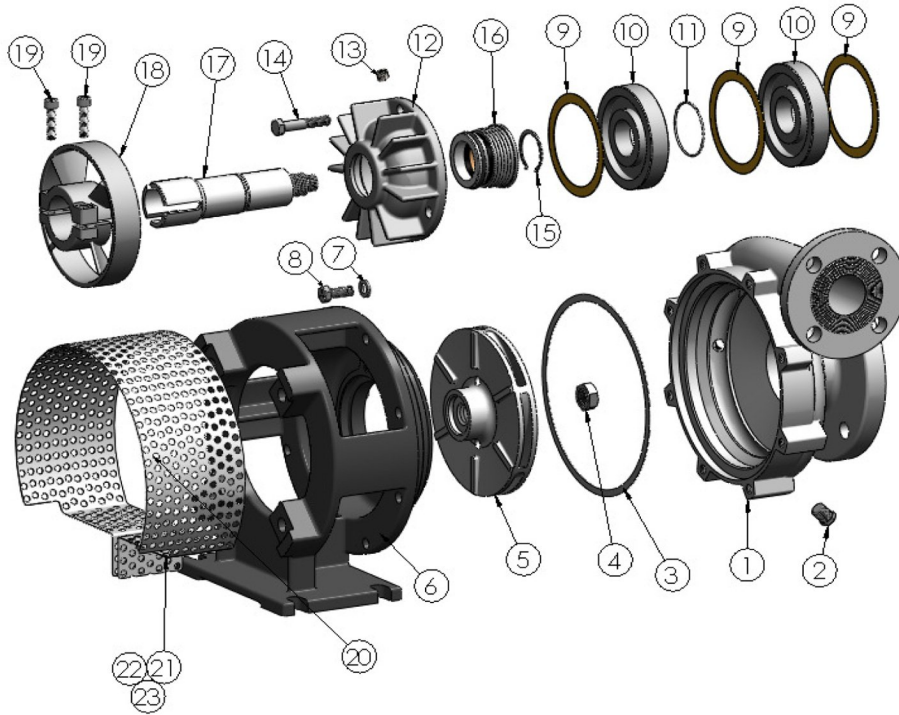
**Illinois Location:**  
 (847) 841-7867  
 860 Church Rd Elgin, IL 60120

**Minnesota Location:**  
 (651) 758-7867  
 330 Mill Bay South Suite 100  
 Afton, MN 55001

PumpSupplyInc.com



38391



ITEM	PART NO.	DESCRIPTION	QTY.	ITEM	PART NO.	DESCRIPTION	QTY.
1	33503	HOUSING- DUCTILE IRON	1	12	29830	SEAL HOUSING- DI	1
2	41475	PIPE PLUG- 1/4 NPT ZPS	2	13	30824	PIPE PLUG- 1/8 NPT	1
3	31519	GASKET- HOUSING	1	14	21277	CAPSCREW SS- 3/8-16 X 2"	3
4	25168	HEX JAM NUT STL.	1	15	29826	SNAP RING STL	1
5	33505	IMPELLER 6.5 DIA - DUCTILE IRON	1	16	34933	SEAL ASSEMBLY T-2	1
6	33506	ADAPTOR- DUCTILE IRON	1	17	29822	DRIVE SLEEVE SS 215TC	1
7	41257	CAPSCREW STL- 3/8-16 X 1"	8	18	29833	FAN CLAMP- DI	1
8	30626	LOCKWASHER STL- 3/8"	8	19	30264	CAPSCREW STL- 5/16-18 X 1.25"	2
9	29825	GASKET- ISOLATOR	3	20	33274	SHIELD ZPS	1
10	30842	ISOLATOR	2	21	21241	HEX NUT SS - 1/4-20	1
11	30841	O-RING- VITON	1	22	33810	CAPSCREW HH ZPS - 1/4-20 X 1.75	1
				23	27261	WASHER STL.	2

**Illinois Location:**  
 (847) 841-7867  
 860 Church Rd Elgin, IL 60120

**Minnesota Location:**  
 (651) 758-7867  
 330 Mill Bay South Suite 100  
 Afton, MN 55001

PumpSupplyInc.com

