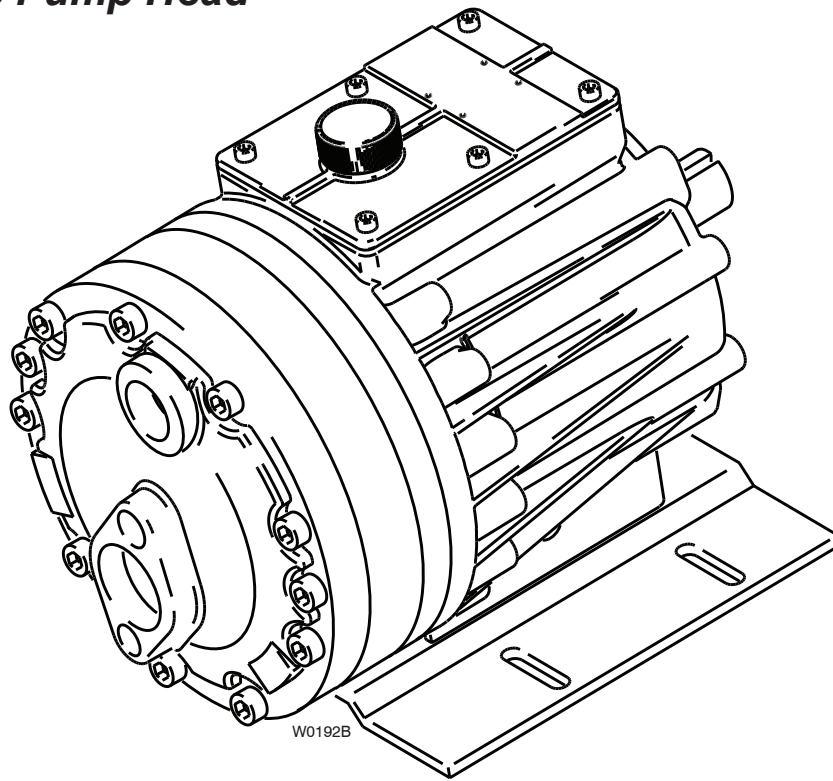


Parts Manual
G25-991-2402D

Hydra-Cell[®]

INDUSTRIAL PUMPS

Models: G-25, H-25
With Metallic Pump Head



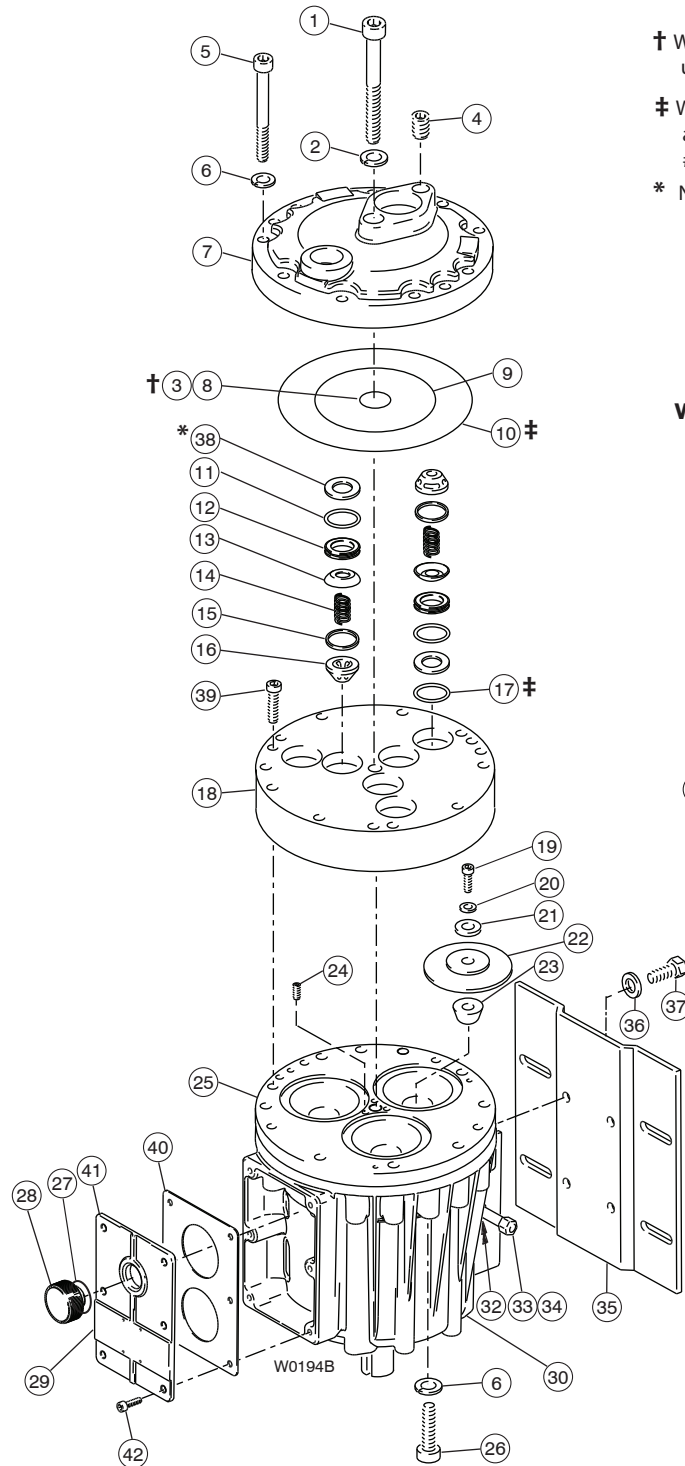
 **Wanner Engineering, Inc.**



Illinois Location:
(847) 841-7867
860 Church Rd Elgin, IL 60123

Minnesota Location:
(651) 758-7867
330 Mill Bay South Suite 1511 Afton, MN 55001

G/H-25 Fluid End (with metallic pump head)



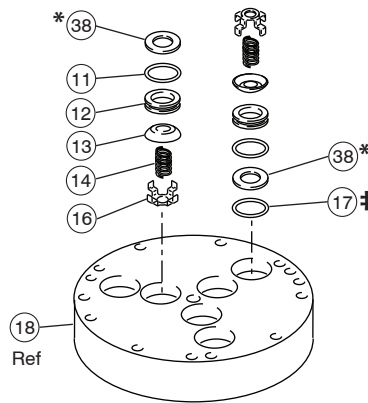
† With brass external-centerbolt models, use #8; with all other models, use #3.

‡ With cast iron pump heads, use #17 and not #10; with all other heads, use #10 and not #17.

* Not included with brass pump heads.



Valve Assemblies with metal spring retainers



Ref. No.	Part Number	Description	Quantity/ Pump
1	G25-081-2045	Cap Screw, socket head, M12 x 1.25 x 114 mm	1
2	G10-084-1010	Washer, 13 mm, flat	1
3	D25-083-2110	O-ring, centerbolt, Buna ¹	1
	D25-083-2111	O-ring, centerbolt, Viton ¹	1
	D25-083-2112	O-ring, centerbolt, Neoprene ¹	1
	D25-083-2113	O-ring, centerbolt, EPDM ¹	1
	D25-083-2118	O-ring, centerbolt, Teflon ¹	1

Ref. No.	Part Number	Description	Quantity/ Pump
4	For Model G		
	G25-038-2017	Plug, Hastelloy C, BSPT	1
	G25-038-2211	Plug, 316 SST, BSPT	1
	For Model H		
	D25-038-2017	Plug, Hastelloy C, NPT	1
	D25-038-2210	Plug, brass, NPT	1
	D25-038-2211	Plug, 316 SST, NPT	1
5	G25-024-2010	Cap Screw, socket-head, M10 x 1.5 x 120 mm	11
6	G25-048-2010	Washer, split-lock, M10	15
7	For Model G		
	G25-004-1010	Manifold, brass, BSPT	1
	G25-004-1022	Manifold, 316 SST, BSPT	1
	G25-004-1026	Manifold, cast iron, BSPT	1
	G25-004-1029	Manifold, nickel alloy, C series, BSPT	1
	G25-004-1038	Manifold, duplex alloy, 2205, BSPT	1
	For Model H		
	D25-004-1010	Manifold, brass, NPT	1
	D25-004-1022	Manifold, 316 SST, NPT	1
	D25-004-1026	Manifold, cast iron, NPT	1
	D25-004-1029	Manifold, nickel alloy, C series, NPT	1
	D25-004-1036	Manifold, duplex alloy, 2205, NPT	1

G/H-25 Fluid End (with metallic pump head)

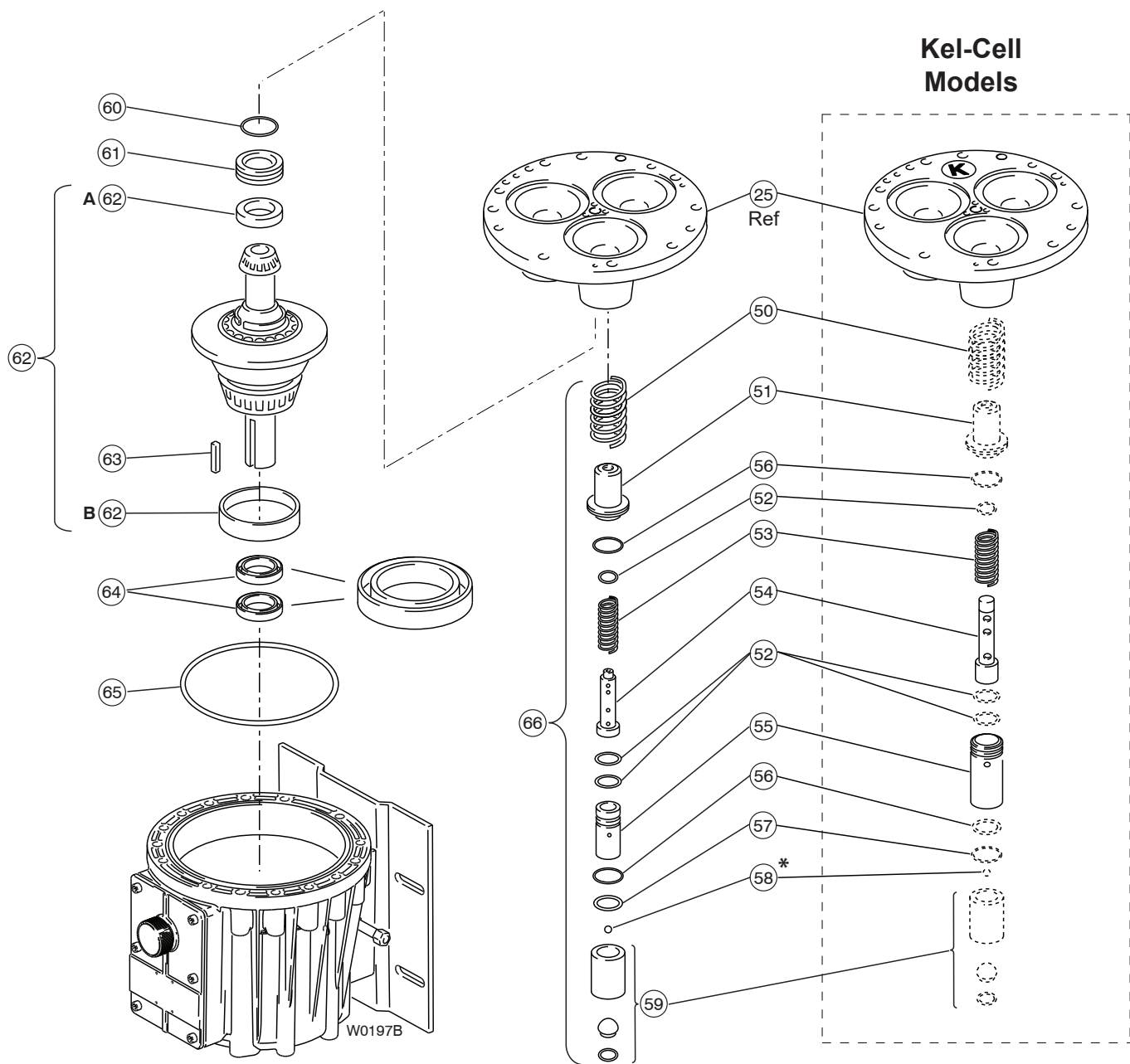
Ref. No.	Part Number	Description	Quantity/ Pump
8	D10-083-2110	O-ring, center manifold, Buna ¹	1
	D10-083-2111	O-ring, center manifold, Viton ¹	1
	D10-083-2112	O-ring, center manifold, Neoprene ¹	1
	D10-083-2113	O-ring, center manifold, EPDM ¹	1
	D10-083-2118	O-ring, center manifold, Teflon ¹	1
9	D25-073-2110	O-ring, inner manifold, Buna	1
	D25-073-2111	O-ring, inner manifold, Viton	1
	D25-073-2112	O-ring, inner manifold, Neoprene	1
	D25-073-2113	O-ring, inner manifold EPDM	1
	D25-073-2118	O-ring, inner manifold, Teflon	1
10	D25-097-2110	O-ring, outer manifold, Buna ²	1
	D25-097-2111	O-ring, outer manifold, Viton ²	1
	D25-097-2112	O-ring, outer manifold Neoprene ²	1
	D25-097-2113	O-ring, outer manifold EPDM ²	1
	D25-097-2118	O-ring, outer manifold, Teflon ²	1
11	D25-035-2110	O-ring, valve seat, Buna	6
	D25-035-2111	O-ring, valve seat, Viton	6
	D25-035-2112	O-ring, valve seat, Neoprene	6
	D25-035-2113	O-ring, valve seat, EPDM	6
	D25-035-2118	O-ring valve seat, Teflon	6
12	D25-020-1010	Valve Seat, 17-4 HT SST	6
	D25-020-1012	Valve Seat, Nitronic 50	6
	D25-020-1016	Valve Seat, tungsten carbide	6
	D25-020-1017	Valve Seat, Hastelloy C	6
	D25-020-3300	Valve Seat, ceramic	6
13	D25-021-1010	Valve, 17-7 HT SST. stamped	6
	D25-021-1011	Valve, Nitronic 50	6
	D25-021-1015	Valve, 17-4 HT SST, machined	6
	D25-021-1016	Valve, tungsten carbide	6
	D25-021-1017	Valve, Hastelloy C	6
D25-021-3300	Valve, ceramic	6	
14	D25-022-3110	Valve Spring, 17-7 HT SST	6
	D25-022-3114	Valve Spring, Elgiloy	6
	D25-022-3115	Valve Spring, Hastelloy C	6
15	D25-092-2110	Tetra Seal, Buna	6
	D25-092-2111	Tetra Seal, Viton	6
	D25-092-2112	Tetra Seal, Neoprene	6
	D25-092-2113	Tetra Seal, EPDM	6
	D25-092-2118	O-ring, Teflon (not a Tetra Seal)	6
16	D25-023-1010	Retainer, valve spring, 17-7 HT SST	6
	D25-023-1017	Retainer, valve spring, Hastelloy C	6
	D25-023-2310	Retainer, valve spring, Celcon	6
	D25-023-2316	Retainer, valve spring, Nylon	6
	D25-023-2317	Retainer, valve spring, polypropylene	6
D25-023-2318	Retainer, valve spring, Kynar	6	
17	D25-074-2110	O-ring, outlet valve, Buna ²	3
	D25-074-2111	O-ring, outlet valve, Viton ²	3
	D25-074-2112	O-ring, outlet valve, Neoprene ²	3
	D25-074-2113	O-ring, outlet valve, EPDM ²	3
	D25-074-2118	O-ring, outlet valve, Teflon ²	3
18	D25-003-1010	Valve Plate, brass	1
	D25-003-1012	Valve Plate, 316 SST	1
	D25-003-1016	Valve Plate, cast iron	1
	D25-003-1029	Valve Plate, nickel alloy C series	1
19	D25-030-2010	Screw, flat-head, 5/8", 316 SST	3
	D25-030-2011	Screw, flat-head, 5/8", Hastelloy C	3
20	D25-047-2110	O-ring, follower, Buna	3
	D25-047-2111	O-ring, follower, Viton	3
	D25-047-2112	O-ring, follower, Neoprene	3
	D25-047-2113	O-ring, follower, EPDM	3
	D25-047-2118	O-ring, follower, Teflon	3

Ref. No.	Part Number	Description	Quantity/ Pump
21	D25-017-1010	Follower, 316 SST	3
	D25-017-1011	Follower, Hastelloy C	3
22	D25-018-2312	Diaphragm, Neoprene	3
	D25-018-2313	Diaphragm, EPDM	3
	D25-018-2315	Diaphragm, Viton-XT	3
	D25-018-2318	Diaphragm, Teflon	3
	D25-018-2320	Diaphragm, Buna-N-XS	3
D25-018-2325	Diaphragm, Aflas	3	
23	D25-016-1010	Plunger	3
24	G25-082-2010	Set Screw, M6 x 1 x 16 mm	3
25	K25-002-1020	Cylinder Housing, Kel-Cell	1
	K25-002-1210	Cylinder Housing Assembly, Kel-Cell ³	-
26	H25-087-2010	Screw, cap, socket head	4
27	D10-080-2110	O-ring, oil fill, Buna	1
28	D03-039-1030	Cap with O-ring, oil fill	1
29	D10-040-2410	Name Plate	1
30	H25-001-1230	Pump Housing ⁴	1
	H25-001-1231	Pump Housing for C-face Adapter ⁴	1
	G25-001-1218	Pump Housing Assembly ⁵	1
	G25-001-1228	Pump Housing Assembly for C-face Adapter ⁵	1
32	D25-038-2211	Plug, socket head	2
33	D25-077-2210	Pipe, 3/8"	1
34	D25-078-2210	Cap, 3/8"	1
35	D25-025-1010	Base	1
36	G25-054-2010	Washer, shakeproof, M10	4
37	G10-029-2010	Bolt, hex-hd	4
38	D25-125-1011	Washer, dampening, 316 SST ⁶	6
	D25-125-1017	Washer, dampening, Hastelloy C ⁶	6
	D25-125-2310	Washer, dampening, Celcon (Delrin) ⁶	6
	D25-125-2316	Washer, dampening, Nylon ⁶	6
D25-125-2317	D25-125-2317	Washer, dampening, polypropylene ⁶	6
	D25-125-2318	Washer, dampening, Kynar ⁶	6
39	G25-088-2010	Screw, cap, socket head	3
40	H25-106-2318	Gasket, cover	1
41	H25-105-1030	Cover, housing	1
42	G35-088-2010	Screw, cap, socket head	6

- ¹ With brass external-centerbolt models, use Ref #8; with all other models, use Ref #3.
- ² With cast iron pump heads, use Ref #17 and not Ref #10; with all other models, use Ref #10 and not Ref # 17.
- ³ Cylinder Housing Assembly includes: housing (25), bearing adjusting plate (61), O-ring (60), and screws (24).
- ⁴ Pump Housing includes: housing (30), gasket (40), cover (41), screws (42), and plugs (32).
- ⁵ Pump Housing Assembly includes: housing (30), gasket (40), cover (41), screws (42), oil drain (33, 34), plugs (32), cap screws (26), and split-lock washers (6).
- ⁶ Not required on all pumps.



G/H-25 Hydraulic End (w/metallic pump head)



* Quantity per piston: 4

Illinois Location:
 (847) 841-7867
 860 Church Rd Elgin, IL 60120

Minnesota Location:
 (651) 758-7867
 330 Mill Bay South Suite
 Afton, MN 55001

PumpSupplyInc.com

PUMP SUPPLY
INCORPORATED

G/H-25 Hydraulic End (w/metallic pump head)

Ref. No.	Part Number	Description	Quantity/ Pump
50	D25-019-3111	Spring, piston return.....	3
51	D25-042-1010	Retainer, piston return spring.....	3
52	D25-046-2110	O-ring, valve cylinder, Buna.....	9
53	D25-045-3110	Spring, sleeve valve.....	3
	K25-045-3110	Spring, sleeve valve, Kel-Cell.....	3
54	D25-044-1010	Valve Plunger.....	3
	K25-044-1010	Valve Plunger, Kel-Cell.....	3
55	D25-043-1010	Cylinder, valve.....	3
	K25-043-1010	Cylinder, valve, Kel-Cell.....	3
56	D25-034-2110	O-ring, Buna.....	6
57	D25-041-1010	Washer, ball retainer.....	3
58	D25-015-3010	Ball, 1/4".....	12
59	D25-014-1209	Piston, with foot and retainer.....	3
60	D25-075-2110	O-ring, bearing adjusting plate, Buna.....	1
61	D25-012-1010	Bearing Adjusting Plate.....	1
62	H25-007-1210	(X) Cam Assembly, 20 gpm, 76 lpm @ 1050 rpm ¹	1
	H25-007-1212	(I) Cam Assembly, 12 gpm, 44 lpm @ 1150 rpm ¹	1
	H25-007-1213	(S) Cam Assembly, 16 gpm, 59 lpm @ 1150 rpm ¹	1
	H25-007-1214	(E) Cam Assembly, 20 gpm, 76 lpm @ 1150 rpm ¹	1
63	D25-085-2210	Key, shaft.....	1
64	H25-031-2112	Seal, Buna, 1-1/8".....	2
65	H25-037-2110	O-ring, pump housing, Buna, Ser. No. 100403 & above.....	1
66	D25-014-1210	Piston Assembly ²	3
	K25-014-1210	Piston Assembly, Kel-Cell ²	3
-	D25-111-2400	Label, caution.....	1


¹ Cam Assembly includes cam, shaft, wobble plate, bearings, and cups. It is only available as an assembly.

² Piston Assembly includes piston, valve cylinder, foot, valve plunger, O-rings, spring retainer, and springs (50-59).

Illinois Location:
 (847) 841-7867
 860 Church Rd Elgin, IL 60120

Minnesota Location:
 (651) 758-7867
 330 Mill Bay South Suite
 Afton, MN 55001

PumpSupplyInc.com



G/H-25 Series Replacement Parts Kits (with metallic pump head)

ORDERING INFORMATION: A Replacement Parts Kit contains 11 digits corresponding to customer-specified design options.

1	2	3	4	5	6	7	8	9	10	11
---	---	---	---	---	---	---	---	---	----	----

Digit	Order Code	Description
1-3		Pump Configuration
	D25	For all H-25 Pumps
	G25	For all G-25 Pumps
4		Kit Designator
	K	Complete Fluid End Kit
	D	Diaphragm Kit
	V	Valve Kit (diaphragm not included)
5-6		Pump Head Version
	52	Metallic Pump Head Version
7		Diaphragm & O-ring Material
	E	EPDM
	G	Viton-XT
	J	Teflon®
	P	Neoprene
	T	Buna-N-XS
8		Valve Seat Material
	C	Ceramic
	D	Tungsten Carbide
	H	17-4 PH Stainless Steel
	N	Nitronic 50
	T	Hastelloy® C
	X	Not included in Diaphragm Kit
9		Valve Material
	C	Ceramic
	D	Tungsten Carbide
	F	17-7 PH Stainless Steel – Machined
	H	17-7 PH Stainless Steel – Stamped
	N	Nitronic 50
	T	Hastelloy® C
X	Not included in Diaphragm Kit	
10		Valve Springs
	E	Elgiloy®
	H	17-7 PH Stainless Steel
	T	Hastelloy® C
	X	Not included in Diaphragm Kit
11		Valve Spring Retainers
	C	Celcon
	H	17-7 PH Stainless Steel
	M	Kynar®
	P	Polypropylene
	T	Hastelloy® C
	X	Not included in Diaphragm Kit

Kit Contents

Part Number*	Description	Qty	Kit Designator		
			K	D	V
D25-018-___	Diaphragm	3	•	•	
D25-047-___	O-ring, follower	3	•	•	
D25-074-___	O-ring, outlet valve	3	•	•	•
D25-097-___	O-ring, outer manifold	1	•	•	•
D25-073-___	O-ring, inner manifold	1	•	•	•
D10-083-___	O-ring, center manifold ¹	1	•	•	•
D25-083-___	O-ring, center bolt ²	1	•	•	•
D25-035-___	O-ring, valve seat	6	•		•
D25-020-___	Valve seat	6	•		•
D25-021-___	Valve	6	•		•
D25-022-___	Valve spring	6	•		•
D25-092-___	Tetra seal ³	6	•		•
D25-023-___	Retainer, valve spring	6	•		•
A01-113-3400	Threadlocker	1	•	•	



Illinois Location:

(847) 841-7867
860 Church Rd Elgin, IL 60123

Minnesota Location:

(651) 758-7867
330 Mill Bay South Suite 1511 Afton, MN 55001

PumpSupplyInc.com