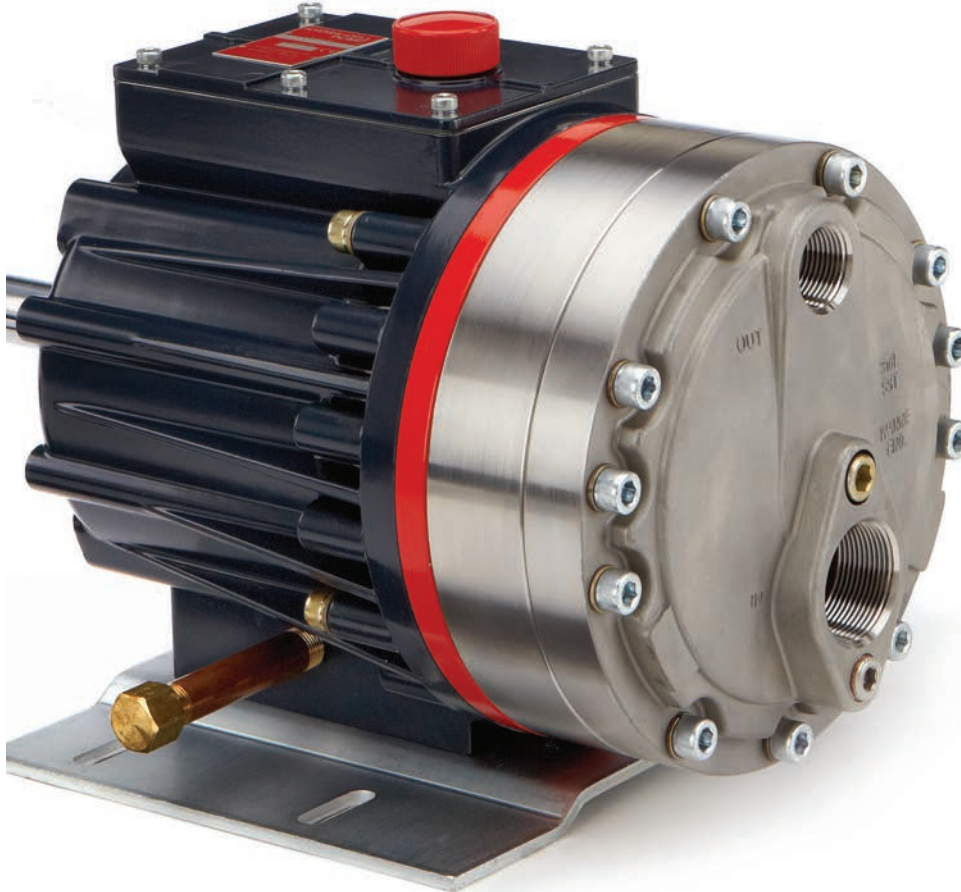


H25 PRO SERIES

Maximum Flow Rate: 20.0 gpm (75.9 l/min)

Maximum Pressure: 1000 psi (69 bar) for Metallic Pump Heads
350 psi (24 bar) for Non-metallic Pump Heads

WANNER™ HYDRA-CELL® PRO SEAL-LESS PUMP TECHNOLOGIES

UK
CA CE*H25 Pro with 316L Stainless
Steel pump head.*

A higher standard of pump performance and efficiency.

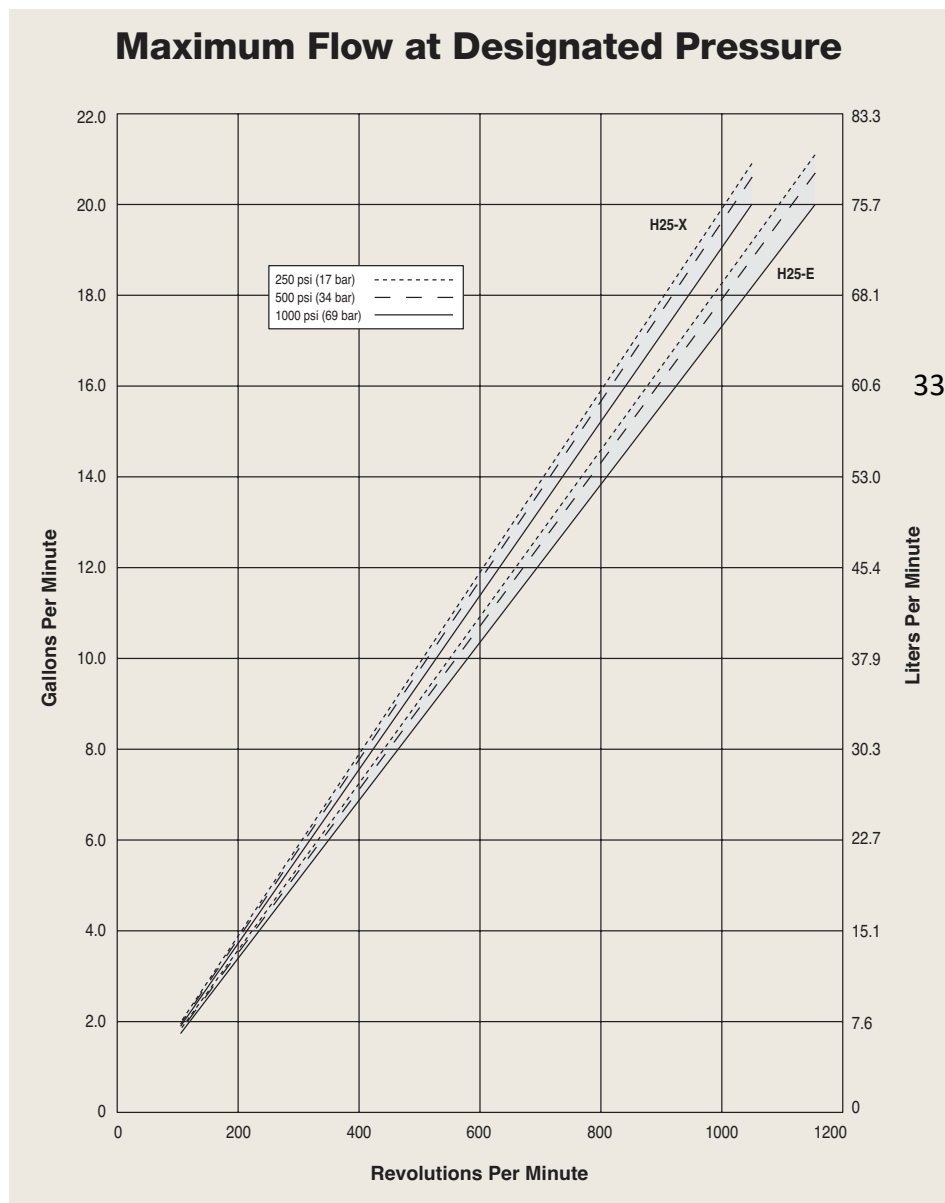
- Integrates **Wanner Hydra-Cell® Pro** seal-less pump technologies for the highest levels of volumetric and energy efficiencies across a full rpm range.
- Seal-less design API 674 pumps that also exceed API 675 standards for accuracy, linearity and repeatability.
- True positive displacement pumping action achieves overall efficiency of >90%, targeting improvements at lower speeds and higher pressures.
- No mechanical dynamic seals, packing, or cups to leak, wear or replace – reduces maintenance, costs and downtime.
- Pumped liquid is 100% contained – prevents degradation, contamination and environmental risks.
- Patented ADPC (Advanced Diaphragm Position Control) and hydraulic oil management system protects diaphragms under closed or restricted inlet conditions.
- Can run dry indefinitely without damage to the pump.
- Reliably handles a wide range of viscosities and shear sensitivities, corrosive liquids, abrasives, slurries and particulates.
- Reduced ownership costs in acquisition, operation, service, maintenance, and energy use.

H25 Pro Series | Performance

Capacities

Model	Max. Input rpm	Max. Flow Capacities @1000 psi (69 bar)		Max. Inlet Pressure		Max. Discharge Pressure					
		gpm	l/min	psi	bar	Metallic Heads		Polypropylene Heads		PVDF Heads	
						psi	bar	psi	bar	psi	bar
H25-X	1050	20.0	75.7	250	17	1000	69	250	17	350	24
H25-E	1150	20.0	75.9	250	17	1000	69	250	17	350	24

Performance and specification ratings apply to H25 configurations unless specifically noted otherwise.



Illinois Location:

(847) 841-7867

860 Church Rd Elgin, IL 60123

Minnesota Location:

(651) 758-7867

330 Mill Bay South Suite 1511 Afton, MN 55001

PumpSupplyInc.com

Due to the Wanner Engineering Continuous Improvement Program, specifications and other data are subject to change.

H25 Pro Series | Specifications

Flow Capacities @1000 psi (69 bar)

Model	rpm	gpm	l/min
H25-X	1050	20.0	75.7
H25-E	1150	20.0	75.9

Delivery @1000 psi (69 bar)

Model	gal/rev	liters/rev
H25-X	0.0190	0.0721
H25-E	0.0174	0.0660

Maximum Discharge Pressure

Metallic Heads:	1000 psi (69 bar)
Non-metallic Heads:	250 psi (17 bar) Polypropylene
	350 psi (24 bar) PVDF

Maximum Inlet Pressure 250 psi (17 bar)

Maximum Operating Temperature

Metallic Heads:	250°F (121°C)
	Consult factory for correct component selection for temperatures from 160°F (71°C) to 250°F (121°C).
Non-metallic Heads:	140°F (60°C)

Maximum Solids Size 800 microns

Inlet Port 1-1/2 inch NPT 150lb ANSI RF flange

Discharge Port 1 inch NPT 600lb ANSI RF flange

Calculating Required Power

$$\frac{50 \times \text{rpm}}{63,000} + \frac{\text{gpm} \times \text{psi}}{1,460} = \text{electric motor hp}$$

$$\frac{50 \times \text{rpm}}{84,428} + \frac{\text{l/min} \times \text{bar}}{511} = \text{electric motor kW}$$

Attention!

When using a variable frequency drive (VFD) controller, calculate the hp or kW at minimum and maximum pump speed to ensure the correct hp or kW motor is selected. Note that motor manufacturers typically de-rate the service factor to 1.0 when operating with a VFD.

Calculating Pulley Size

$$\frac{\text{motor pulley OD}}{\text{pump rpm}} = \frac{\text{pump pulley OD}}{\text{motor rpm}}$$

Shaft Diameter 1-1/8 inch (28.6 mm)

Shaft Rotation Reverse (bi-directional)

Bearings Tapered roller bearings

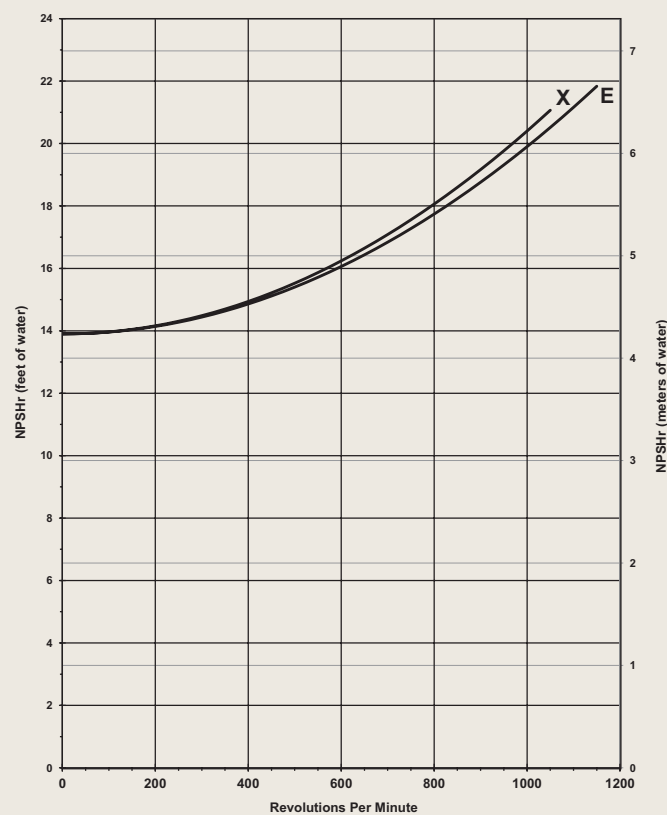
Oil Capacity 3.3 US quarts (3.1 liters)

Weight

Metallic Heads: 125 lbs. (56.8 kg)

Non-metallic Heads: 90 lbs. (40.9 kg)

Net Positive Suction Head (NPSHr)



Note: Positive inlet pressure required with PTFE diaphragms.

Suction Lift

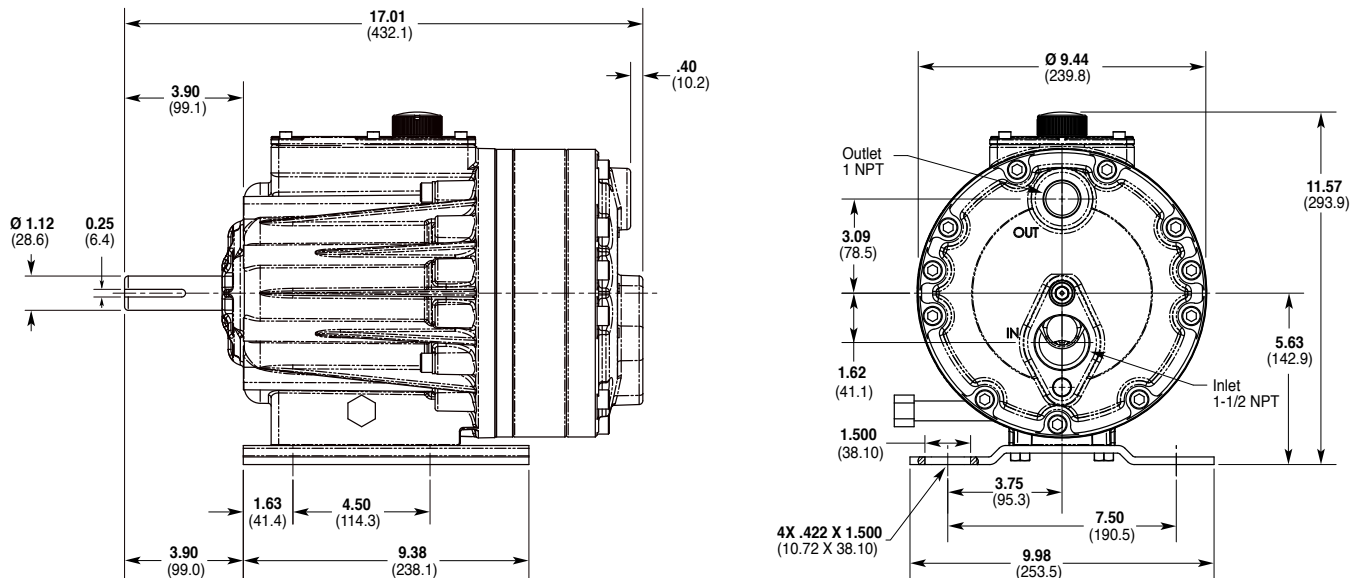
Each Hydra-Cell pump has different lift capability depending on model size, cam angle, speed, and fluid characteristics. To ensure that your specific lift characteristics are met, refer to the inlet calculations regarding friction, and acceleration head losses in your Hydra-Cell Product Manual. Compare those calculations to the NPSHr curves above.



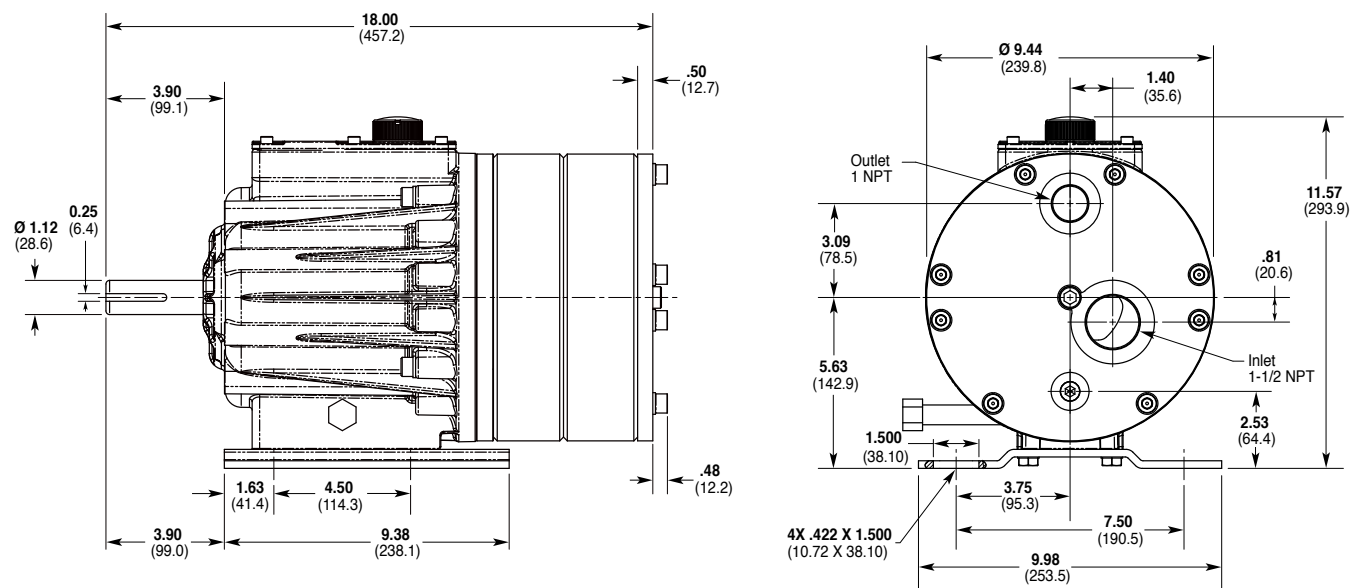
Due to the Wanner Engineering Continuous Improvement Program, specifications and other data are subject to change.

H25 Pro Series | Representative Drawings

H25 Models with Metallic Pump Head Inches (mm)



H25 Models with Non-metallic Pump Head Inches (mm)



Note: Dimensions are for reference only. Contact factory for certified drawings.

H25 Pro Series | Adapters / Valves

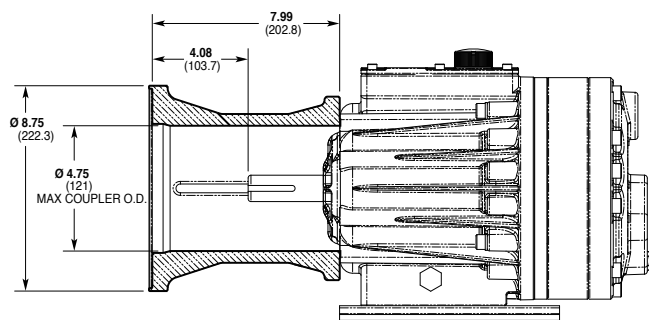
Pump/Motor Adapter Inches (mm)



Part Number: A04-041-1200

For: 182TC, 184TC, 213, 215TC, 254 and 256TC frame motors.

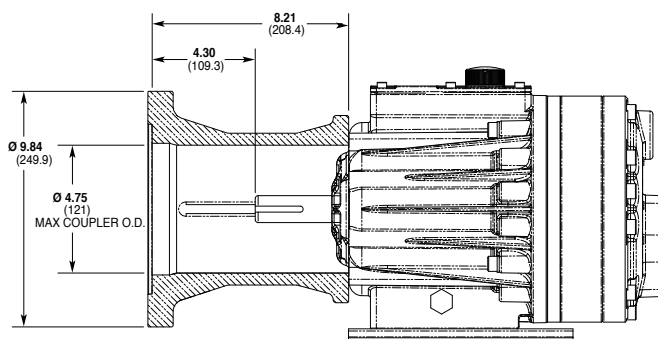
Metric adapter available - consult factory.



Part Number: A04-041-1202

For: 284TC and 286TC frame motors.

Metric adapter available - consult factory.



Note: Dimensions are for reference only. Contact factory for certified drawings.

Valve Selection

A seal-less **C63 Pressure Regulating Valve** is recommended for Hydra-Cell Pro H25 pumping systems, especially for high-pressure requirements or when handling dirty fluids.



A **C23 Pressure Regulating Valve** provides a capable, lower-cost alternative to C63 valves for Hydra-Cell Pro H25 pumping systems.



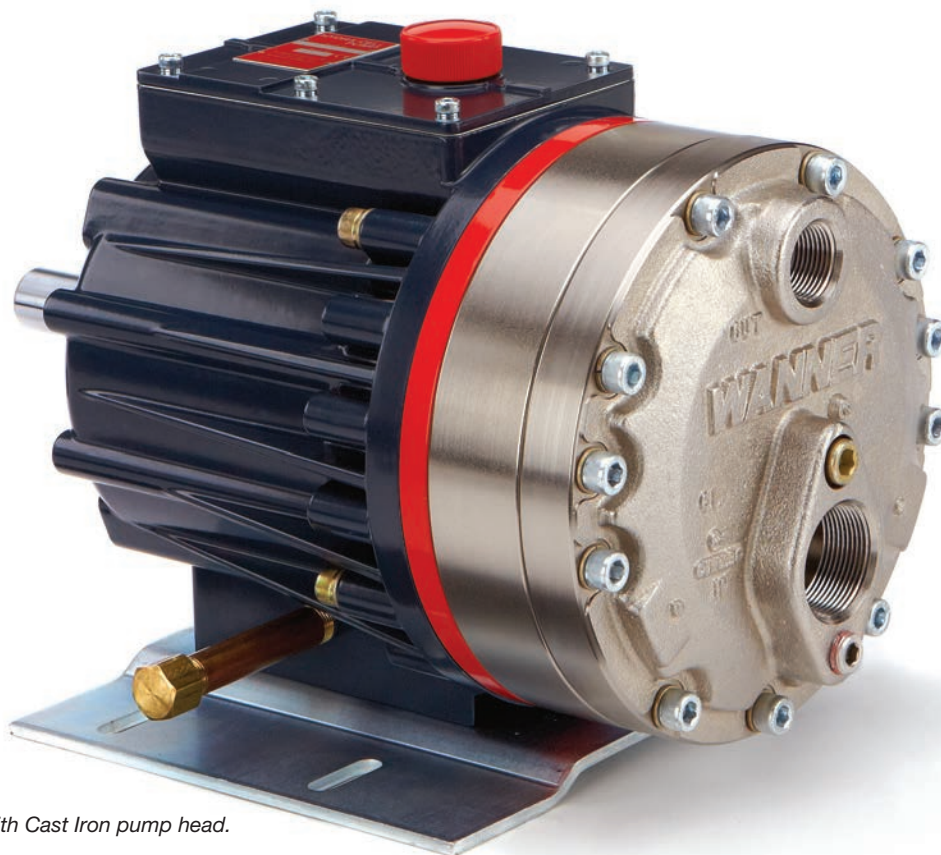
Skid-mounted H25 Pro.

For complete specifications and ordering information, consult the Hydra-Cell Master Catalog.

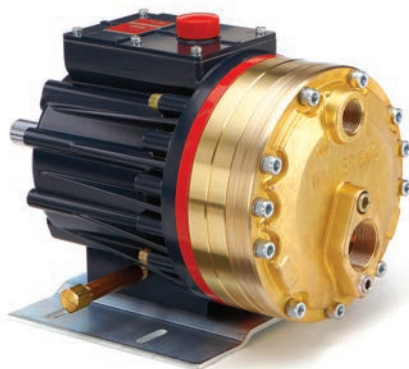
D10 Pro Series | Options

Consult the Hydra-Cell Master Catalog for:

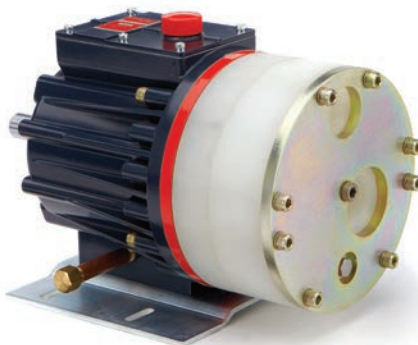
- Motors, bases, couplings and other pump accessories
- Hydra-Oil selection and specification information
- Design considerations, installation guidelines, and other technical assistance in pump selection



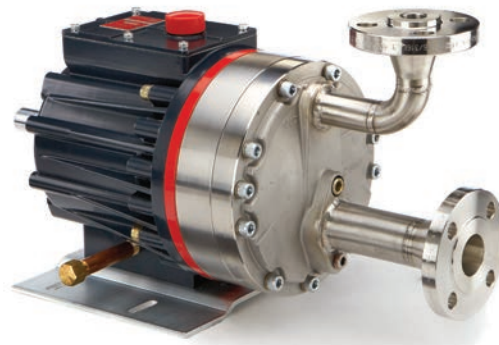
H25 Pro with Cast Iron pump head.



H25 Pro with Brass pump head.



H25 Pro with Polypropylene pump head.



H25 Pro with 316L Stainless Steel pump head and ANSI flanges.

H25 Pro Series | How to Order

Ordering Information

A complete H25 Series Model Number contains 12 digits including 9 customer-specified design and materials options, for example: H25XPCTHFECA.

1	2	3	4	5	6	7	8	9	10	11	12
H	2	5									

Digit	Order Code	Description
1-3	H25	Pump Configuration Shaft-driven (NPT Ports or ANSI Flanges)* <i>*Pump/motor adapters ordered separately. See previous page.</i>
4	X E	Hydraulic End Cam Max 20.0 gpm (75.7 l/min) @ 1050 rpm Max 20.0 gpm (75.9 l/min) @ 1150 rpm
5	P M	Pump Head Version Hydra-Cell Pro Machined housing to accept C-face adapter/gearbox
6	B C G M N R S T	Pump Head Material Brass Cast Iron (Nickel-plated) Duplex Alloy 2205 Stainless Steel (with Hastelloy C followers & follower screws) PVDF (with Hastelloy C followers & follower screws) Polypropylene (with Hastelloy C followers & follower screws) 316L Stainless Steel ANSI flange class 150 x 600 316L Stainless Steel Hastelloy CW12MW
7	A B E G J P T	Diaphragm & O-ring Material Aflas diaphragm / PTFE O-ring Butyl EPDM (requires EPDM-compatible oil – Digit 12 oil code C) FKM PTFE (available with E cam only; 1050 rpm max.) Neoprene Buna-N
8	C D H N T	Valve Seat Material Ceramic Tungsten Carbide 17-4 Stainless Steel Nitronic 50 Hastelloy C

Digit	Order Code	Description
9	C D F N T	Valve Material Ceramic Tungsten Carbide 17-4 Stainless Steel Nitronic 50 Hastelloy C
10	E T	Valve Springs Elgiloy Hastelloy C
11	C H M P T Y	Valve Spring Retainers Celcon 17-7 Stainless Steel (used with metallic heads only) PVDF Polypropylene Hastelloy C (used with metallic heads only) Nylon (Zytel)
12	A B C E G H	Hydra-Oil 10W30 standard-duty oil 40-wt for continuous-duty oil (use with 316L SST or Hastelloy CW12MW pump head – standard) 30-wt EPDM-compatible oil Food-contact oil 5W30 cold-temp severe-duty synthetic oil 15W50 high-temp severe-duty synthetic oil

H25 Pump Housing is standard as Cast Aluminum.

Upgrade to Ductile Iron available.



Illinois Location:

(847) 841-7867

860 Church Rd Elgin, IL 60123

Minnesota Location:

(651) 758-7867

330 Mill Bay South Suite 1511 Afton, MN 55001

PumpSupplyInc.com

Partners in over 70 countries






WANNER™
Global Sales and Technical Support




Americas

-  Minneapolis, Minnesota USA
-  Wichita Falls, Texas USA
-  São Paulo, Brazil
-  Buenos Aires, Argentina




EMEA | Australia

-  Hampshire, United Kingdom
-  Cairo, Egypt
-  Remagen, Germany

Asia | Pacific

-  Kowloon, Hong Kong
-  Shanghai, China
-  Jakarta, Indonesia

India

-  Mumbai, India
-  New Delhi
-  Bangalore
-  Gujarat

Illinois Location:
(847) 841-7867
860 Church Rd Elgin, IL 61

Minnesota Location:
(651) 758-7867
330 Mill Bay South Suite
Afton, MN 55001

PumpSupplyInc.com

