

End Suction Centrifugal Pump

Model GSU

Technical Specification



Illinois Location:

(847) 841-7867
860 Church Rd Elgin, IL 60123

Minnesota Location:

(651) 758-7867
330 Mill Bay South Suite 1511
Afton, MN 55001

PumpSupplyInc.com



EBARA Pumps Americas Corporation

Specification**Main Applications****PUMP SUPPLY
INCORPORATED****BUILDING****• Air conditioning-District heating & cooling**

General water supply
Brine (antifreeze liquid)
Hot water circulation
High boost pressure

WATER SUPPLY

- **Water supply duties for municipalities**
- **Irrigation**
- **Drainage clean water**
- **Fire protection**
- **Swimming pool**

GENERAL INDUSTRY**• Semiconductor Industry**

Pure water

• Food industry

General water (Cooling water, Recycling water, Filtered water)
CIP (Cleaning in Place) , below 50°C and below conc. of 20%

• Pulp and Paper Industry

White water (below pulp conc. of 0.3%)

• Automobile industry

Water (without slurry)
Detergent (without slurry)

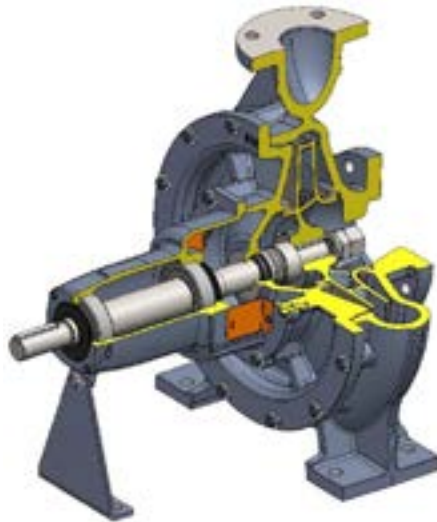
• Steel industry - Non-ferrous metals industry

Coolant
Cooling Water

• Garbage incineration

Cooling Water
Deaerater
Condensate water



Specification**Product Features****Energy-saving Design**

- World top class pump efficiency achieved.
- Major improvement over our previous models by impeller designed using our proprietary 3D inverse design technology.
- Higher efficiency means lower energy consumption and motor output, and more compact size.

Simple Maintenance

- Back pull-out structure enables disassembly and inspection without removal of suction and discharge piping.
- Shield bearings eliminate need for adding or exchanging lubricating oil.
- Shaft seal flushing and quenching piping not required for the standard application.
- Air-bleeding not required.
- Simplified bearings and shaft seal enable easy assembly.

Pump Specifications

- Maximum operating pressure: 200 psi.
- Liquid temperature range expansion: 14°F to 212°F.
- ANSI B16.1 125lb flanges.
- Cast iron pump.

International Standards

- Pump dimensions adopt EN733.
- Mechanical seal adopts EN12756.



EBARA End Suction Centrifugal Pumps

Model GSU

Specification

General Description

Capacities	To 2,600 GPM (60Hz)
Heads	To 480 ft (60Hz)
Liquid Temperatures	14°F to 212°F
MAX. Working Pressure	Up to 200 psi (ANSI B16.1 125lb)
Materials	Casing: Cast Iron Impeller: Cast Iron See other materials in the document "Parts Reference"
Standards	EN733
Rotation	Clockwise viewed from coupling end

	Standard*		Optional**
Frequency	60Hz		50Hz
Operational Speed	2-Pole	4-Pole	6-Pole
Phase	3-Phase		1-Phase
Voltage	230/460V		575V, 190/380V
Enclosure	TEFC		ODP, Washdown, Explosion Proof, Other
Standards	NEMA T/TS		


* Standard accessories: base, coupling and coupling guard

** Optional items: consult factory for pricing and part number changes

Illinois Location:
(847) 841-7867
860 Church Rd Elgin, IL 60123

Minnesota Location:
(651) 758-7867
330 Mill Bay South Suite 1511
Afton, MN 55001

PumpSupplyInc.com



PS
PUMP SUPPLY
INCORPORATED



Specification**Design Details****FEATURES**

- Horizontal foot mounting
- Back pull-out design
- Single-stage
- Radially split volute casing

APPLICABLE FLANGE STANDARD

- ANSI B16.1 CLASS 125LB

IMPELLER TYPE

- Closed, single suction type and balancing holes to reduce axial thrust

SHAFT SEAL

- Single mechanical seal (conical type)

BEARINGS AND LUBRICATION

- Shield ball bearing (Grease lubrication)

PAINTING

1. Outer Surface

- Standard up to 284°F

Primer coating	Nitrocellulose based painting
Final coating	Nitrocellulose based painting
Finish color	Munsell 2.5PB4/2 (Blue)

2. Inner Surface (casing)

- Standard up to 284°F

Primer coating	Epoxy based painting
Finish color	White

Illinois Location:

(847) 841-7867

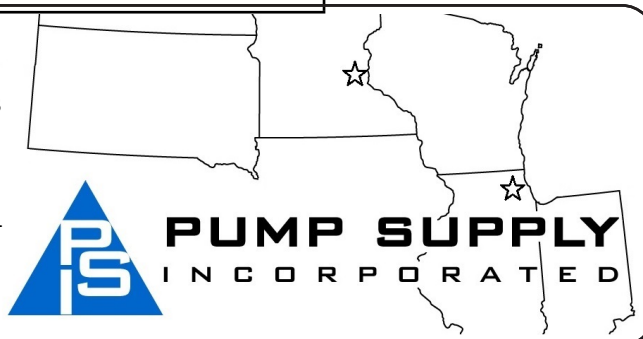
860 Church Rd Elgin, IL 60123

Minnesota Location:

(651) 758-7867

330 Mill Bay South Suite 1511
Afton, MN 55001

PumpSupplyInc.com



EBARA End Suction Centrifugal Pumps

Model GSU

Specification

Designation

GSU 4 - 32 - 125 10 T 3 G

Model _____

GSU - Cast Iron End Suction pump

Series _____

- 2 - 2-pole (3500rpm)
- 4 - 4-pole (1750rpm)

Discharge _____

- | | |
|-------------|----------|
| 32 - 1-1/4" | 80 - 3" |
| 40 - 1-1/2" | 100 - 4" |
| 50 - 2" | 125 - 5" |
| 65 - 2-1/2" | 150 - 6" |

Nominal Impeller Diameter(mm)* _____

- | | | |
|-----|-----|-----|
| 125 | 250 | 500 |
| 160 | 315 | |
| 200 | 400 | |

* L - Indicates different bearing frame size to similar model
 .1 - Indicates different casing and impeller design to similar model

Motor Horsepower _____

- | | | | | | |
|------------|------------|------------|------------|--------------|--------------|
| 5 - 1/2hp | 20 - 2hp | 100 - 10hp | 300 - 30hp | 750 - 75hp | 2000 - 200hp |
| 7 - 3/4hp | 30 - 3hp | 150 - 15hp | 400 - 40hp | 1000 - 100hp | 2500 - 250hp |
| 10 - 1hp | 50 - 5hp | 200 - 20hp | 500 - 50hp | 1250 - 125hp | 3000 - 300hp |
| 15 - 1.5hp | 75 - 7.5hp | 250 - 25hp | 600 - 60hp | 1500 - 150hp | 3500 - 350hp |

Motor Enclosure _____

- T - TEFC
- O - Open Drip Proof (Opt.)
- W - Washdown (Opt.)
- X - Explosion Proof (Opt.)

Power Phase _____

- 3 - Three Phase
- 1 - Single Phase (Opt.)

Seal Designator _____

- G - Carbon/Ceramic/NBR - 304SS

Note: Remove Motor Horsepower, Motor Enclosure, & Power Phase designators for Bare Shaft Pump Part Number.
 ex. GSU4-32-12510T3G → GSU4-32-125G



EBARA End Suction Centrifugal Pumps**Model GSU****Specification****Applicable Model**

Model	Shaft No.	60Hz		Remarks
		3500 rpm (2Pole)	1750 rpm (4pole)	
GSU 32-125.1	230	●	●	different hydraulic design each other
GSU 32-125	230	●	—	
GSU 32-160.1	230	●	●	different hydraulic design each other
GSU 32-160	230	●	●	
GSU 32-200	230	●	●	
GSU 32-250	230	●	●	
GSU 40-125	230	●	●	
GSU 40-160	230	●	●	
GSU 40-200	230	●	●	
GSU 40-250	230	●	●	
GSU 40-315	240	—	●	
GSU 50-200	230	●	●	
GSU 50-250	230	●	●	
GSU 50-315	240	—	●	
GSU 65-125	230	●	●	
GSU 65-250	240	●	●	
GSU 65-315	240	—	●	
GSU 80-200	240	●	●	
GSU 80-315	240	—	●	
GSU 80-400	250	—	●	
GSU 100-160	240	●	●	
GSU 100-200	240	●	●	
GSU 100-250	240	—	●	
GSU 100-315	240	—	●	
GSU 100-400	250	—	●	
GSU 125-200	240	●	●	
GSU 125-315	250	—	●	
GSU 125-400	250	—	●	



PUMP SUPPLY
INCORPORATED



EBARA PUMPS AMERICAS CORPORATION

www.pumpsebara.com

(t) 803.327.5005 (f) 803.327.5097

IL - (847) 841-7867

PumpSupplyInc.com

MN - (651) 758-7867

rev. B0201-00