



# End Suction Centrifugal Pump

## Model GSU

Parts Reference



**Illinois Location:**

(847) 841-7867  
860 Church Rd Elgin, IL 60123

**Minnesota Location:**

(651) 758-7867  
330 Mill Bay South Suite 1511  
Afton, MN 55001

[PumpSupplyInc.com](http://PumpSupplyInc.com)



EBARA Pumps Americas Corporation

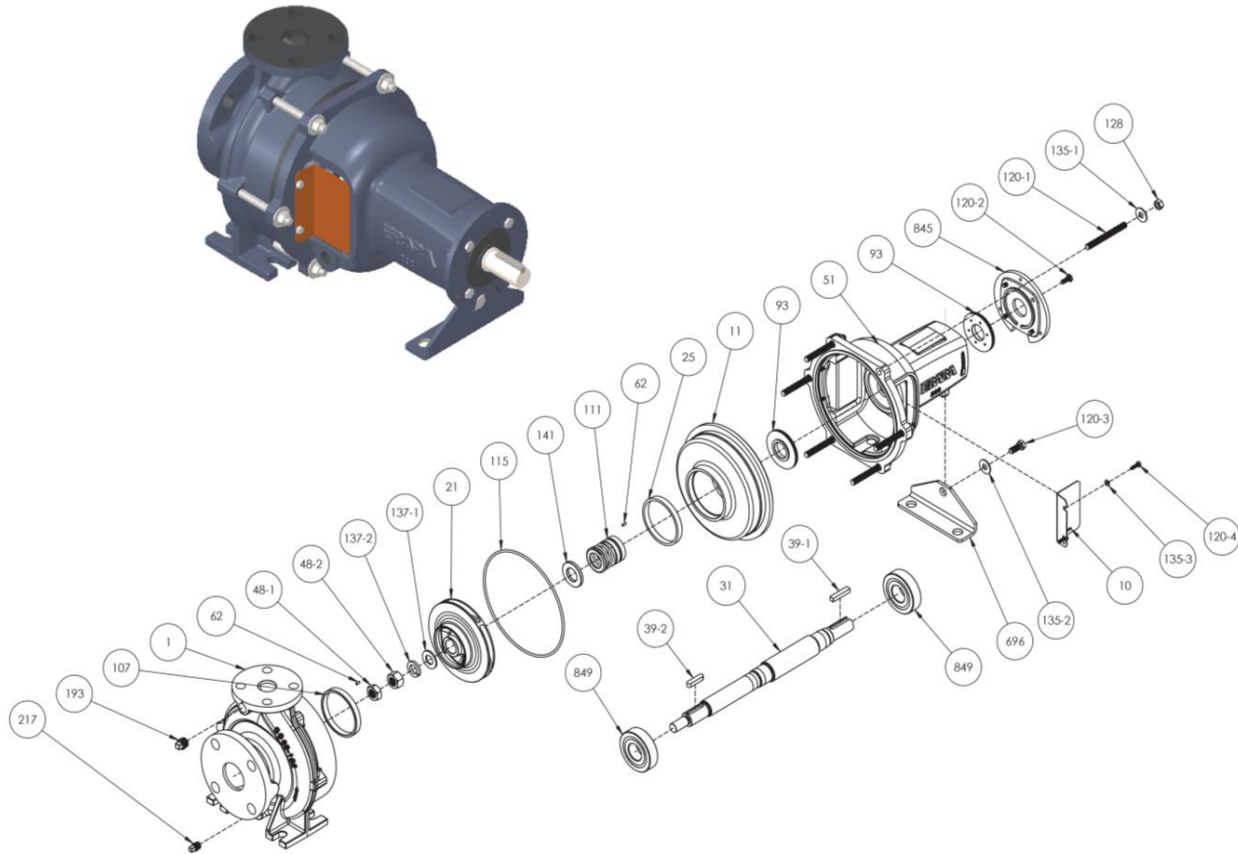
**EBARA End Suction Centrifugal Pumps**

**Model GSU**

**Parts Reference**

**Material Specification**

GSU 32-125 Models



**Mechanical Seal Type**

Nº	Description	Material	Qty
1	Casing	ASTM A48 CL35	1
10	Pump Guard	SAE 1020	2
11	Casing Cover	ASTM A48 CL35	1
21	Impeller	ASTM A48 CL35	1
25	Impeller Wear Ring	420 SS	1
31	Shaft	420 SS	1
39-1	Key	SAE 1045	1
39-2	Key	304 SS	1
48-1	Impeller Nut	304 SS	1
48-2	Impeller Nut	304 SS	1
51	Bearing Housing	ASTM A48 CL35	1
62	Spring Pin	304 SS	2
93	Deflector	EPDM / SAE	2
107	Casing Wear Ring	420 SS	1
111	Mechanical Seal	Carbon/Ceramic/NBR/304	1
115	O-ring	NBR	1

Nº	Description	Material	Qty
120-1	Stud Bolt	SAE (ZINC)	6
120-2	Bolt	SAE (ZINC)	4
120-3	Bolt	SAE (ZINC)	1
120-4	Bolt	SAE (ZINC)	4
128	Nut	SAE (ZINC)	6
135-1	Washer	SAE (ZINC)	6
135-2	Washer	SAE (ZINC)	1
135-3	Washer	SAE (ZINC)	4
137-1	Impeller Washer	304 SS	1
137-2	Lock Washer	304 SS	1
141	Spacer Ring	304 SS	1
193	Plug	SAE (ZINC)	1
217	Drain Plug	SAE (ZINC)	1
696	Support Foot	SAE 1020	1
845	Bearing Cover	ASTM A48 CL35	1
849	Ball Bearing	STEEL	2



**EBARA PUMPS AMERICAS CORPORATION**

www.pumpsebara.com

(t) 803.327.5005 (f) 803.327.5097

IL - (847) 841-7867

PumpSupplyInc.com

MN - (651) 758-7867

rev. B0205-00

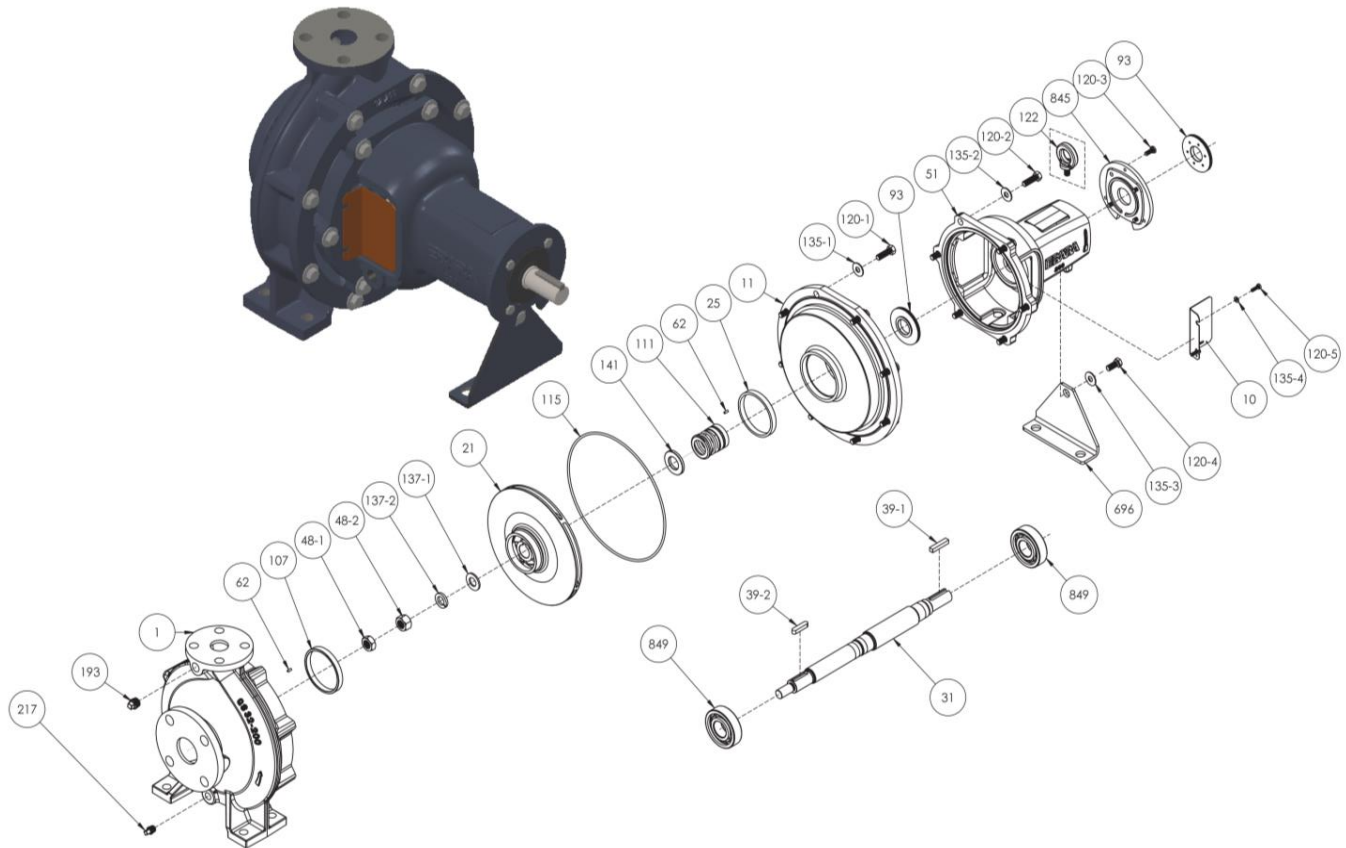
**EBARA End Suction Centrifugal Pumps**

**Model GSU**

**Parts Reference**

**Material Specification**

GSU 32-160 & Larger Models



**Mechanical Seal Type**

Nº	Description	Material	Qty (*)
1	Casing	ASTM A48 CL35	1
10	Pump Guard	SAE 1020	2
11	Casing Cover	ASTM A48 CL35	1
21	Impeller	ASTM A48 CL35	1
25	Impeller Wear Ring	420 SS	1
31	Shaft	420 SS	1
39-1	Key	SAE 1045	1
39-2	Key	304 SS	1
48-1	Impeller Nut	304 SS	1
48-2	Impeller Nut	304 SS	1
51	Bearing Housing	ASTM A48 CL35	1
62	Spring Pin	304 SS	---
93	Deflector	EPDM / SAE	2
107	Casing Wear Ring	420 SS	1
111	Mechanical Seal	Carbon/Ceramic/NBR/304	1
115	O-ring	NBR	1
120-1	Bolt	SAE (ZINC)	---

Nº	Description	Material	Qty
120-2	Bolt	SAE (ZINC)	6
120-3	Bolt	SAE (ZINC)	4
120-4	Bolt	SAE (ZINC)	1
120-5	Bolt	SAE (ZINC)	4
122	Eye Bolt	SAE (ZINC)	---
135-1	Washer	SAE (ZINC)	---
135-2	Washer	SAE (ZINC)	6
135-3	Washer	SAE (ZINC)	1
135-4	Washer	SAE (ZINC)	4
137-1	Impeller Washer	304 SS	1
137-2	Lock Washer	304 SS	1
141	Spacer Ring	304 SS	1
193	Plug	SAE (ZINC)	1
217	Drain Plug	SAE (ZINC)	1
696	Support Foot	SAE 1020	1
845	Bearing Cover	ASTM A48 CL35	1
849	Ball Bearing	STEEL	2

(\*) For the parts with Qty "----", the quantity varies according to each model.



**EBARA PUMPS AMERICAS CORPORATION**

www.pumpsebara.com

(t) 803.327.5005 (f) 803.327.5097

IL - (847) 841-7867

PumpSupplyInc.com

MN - (651) 758-7867

rev. B0205-00