



End Suction Centrifugal Pump

Model GSU

Dimensions



Illinois Location:

(847) 841-7867

860 Church Rd Elgin, IL 60123

Minnesota Location:

(651) 758-7867

330 Mill Bay South Suite 1511 Afton, MN 55001

PumpSupplyInc.com



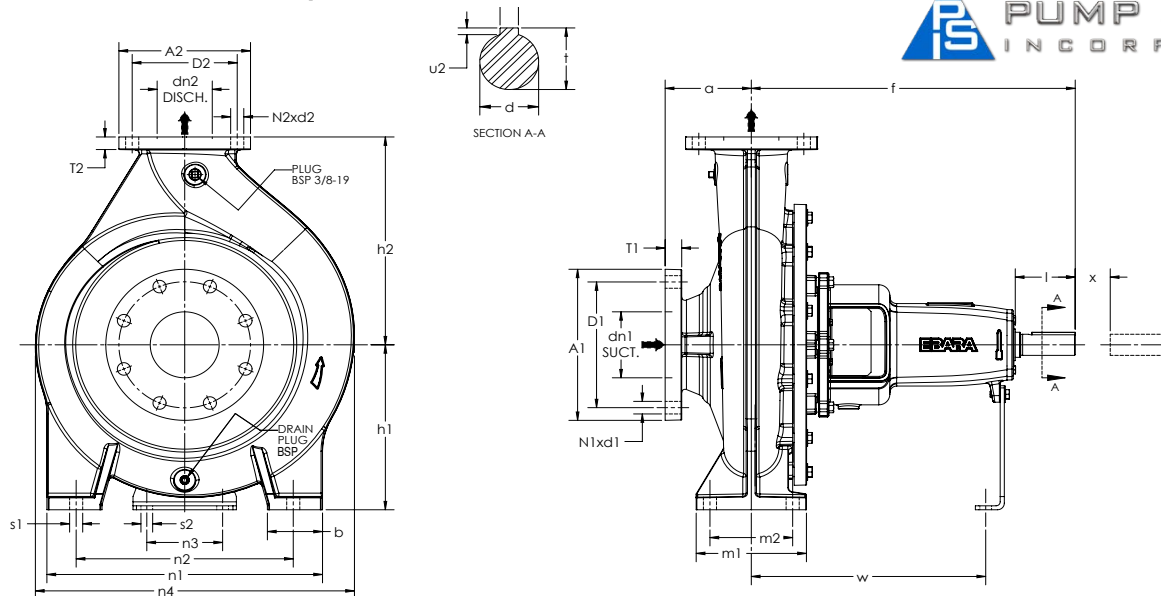
EBARA Pumps Americas Corporation

EBARA End Suction Centrifugal Pumps

Model GSU

Dimensions

Dimensions of Bare Shaft Pump



Flange Dimensions

Material: **Cast Iron**

Flange Standard: **ANSI B16.1 125lb**

Unit: mm

Model	Suction flange						Discharge flange					
	dn1	A1	D1	T1	N1	d1	dn2	A2	D2	T2	N2	d2
GSU 32	50	152	121	16	4	19	32	118	89	13	4	16
GSU 40	65	178	140	18	4	19	40	127	98	14	4	16
GSU 50	65	178	140	18	4	19	50	152	121	16	4	19
GSU 65	80	191	152	19	4	19	65	178	140	18	4	19
GSU 80	100	229	191	24	8	19	80	191	152	19	4	19
GSU 100	125	254	216	24	8	22	100	229	191	24	8	19
GSU 125	150	279	241	26	8	22	125	254	216	24	8	22

Unit: in

Model	Suction flange						Discharge flange					
	dn1	A1	D1	T1	N1	d1	d2	A2	D2	T2	N2	d2
GSU 32	2	6	4 3/4	5/8	4	3/4	1 1/4	4 5/8	3 1/2	1/2	4	5/8
GSU 40	2 1/2	7	5 1/2	11/16	4	3/4	1 1/2	5	3 7/8	9/16	4	5/8
GSU 50	2 1/2	7	5 1/2	11/16	4	3/4	2	6	4 3/4	5/8	4	3/4
GSU 65	3	7 1/2	6	3/4	4	3/4	2 1/2	7	5 1/2	11/16	4	3/4
GSU 80	4	9	7 1/2	15/16	8	3/4	3	7 1/2	6	3/4	4	3/4
GSU 100	5	10	8 1/2	15/16	8	7/8	4	9	7 1/2	15/16	8	3/4
GSU 125	6	11	9 1/2	1	8	7/8	5	10	8 1/2	15/16	8	7/8



EBARA PUMPS AMERICAS CORPORATION

www.pumpsebara.com

(t) 803.327.5005 (f) 803.327.5097

IL - (847) 841-7867

PumpSupplyInc.com

MN - (651) 758-7867

EBARA End Suction Centrifugal Pumps

Model GSU

Dimensions

Dimensions of Bare Shaft Pump



Unit: mm


Model	dn1	dn2	Pump					Support							Holes for bolts		Shaft end					1)	Weight (kg)	
			a	f	h1	h2	Drain plug	b	m1	m2	n1	n2	n3	n4	w	s1	s2	d	l	t	u1			u2
GSU 32-125.1	50	32	80	360	112	140	1/4"	50	100	70	190	140	110	238	260	1/2"	1/2"	24	50	27	8	7	100	28
GSU 32-125	50	32	80	360	112	140	1/4"	50	100	70	190	140	110	238	260	1/2"	1/2"	24	50	27	8	7	100	28
GSU 32-160.1	50	32	80	360	132	160	1/4"	50	100	70	240	190	110	250	260	1/2"	1/2"	24	50	27	8	7	100	29
GSU 32-160	50	32	80	360	132	160	1/4"	50	100	70	240	190	110	250	260	1/2"	1/2"	24	50	27	8	7	100	29
GSU 32-200	50	32	80	360	160	180	1/4"	50	100	70	240	190	110	294	260	1/2"	1/2"	24	50	27	8	7	100	39
GSU 32-250	50	32	100	360	180	225	1/4"	65	125	95	320	250	110	340	260	1/2"	1/2"	24	50	27	8	7	100	46
GSU 40-125	65	40	80	360	112	140	1/4"	50	100	70	210	160	110	243	260	1/2"	1/2"	24	50	27	8	7	100	30
GSU 40-160	65	40	80	360	132	160	1/4"	50	100	70	240	190	110	260	260	1/2"	1/2"	24	50	27	8	7	100	31
GSU 40-200	65	40	100	360	160	180	1/4"	50	100	70	265	212	110	305	260	1/2"	1/2"	24	50	27	8	7	100	41
GSU 40-250	65	40	100	360	180	225	1/4"	65	125	95	320	250	110	345	260	1/2"	1/2"	24	50	27	8	7	100	48
GSU 40-315	65	40	125	470	225	250	1/4"	65	125	95	345	280	110	415	340	1/2"	1/2"	32	80	35	10	8	100	82
GSU 50-200	65	50	100	360	160	200	1/4"	65	100	70	265	212	110	305	260	1/2"	1/2"	24	50	27	8	7	100	44
GSU 50-250	65	50	100	360	180	225	1/4"	65	125	95	320	250	110	355	260	1/2"	1/2"	24	50	27	8	7	100	50
GSU 50-315	65	50	125	470	225	280	1/4"	65	125	95	345	280	110	425	340	1/2"	1/2"	32	80	35	10	8	100	86
GSU 65-125	80	65	100	360	160	180	1/4"	65	125	95	280	212	110	279	260	1/2"	1/2"	24	50	27	8	7	100	37
GSU 65-250	80	65	100	470	200	250	1/4"	80	160	120	360	280	110	386	340	5/8"	1/2"	32	80	35	10	8	140	73
GSU 65-315	80	65	125	470	225	280	1/4"	80	160	120	400	315	110	429	340	5/8"	1/2"	32	80	35	10	8	140	90
GSU 80-200	100	80	125	470	180	250	1/4"	65	125	95	345	280	110	367	340	1/2"	1/2"	32	80	35	10	8	140	67
GSU 80-315	100	80	125	470	250	315	1/4"	80	160	120	400	315	110	463	340	5/8"	1/2"	32	80	35	10	8	140	101
GSU 80-400	100	80	125	530	280	355	1/4"	80	160	120	435	355	110	560	340	5/8"	1/2"	42	110	45	12	8	140	162
GSU 100-160	125	100	125	470	200	250	3/8"	80	160	120	360	280	110	368	340	5/8"	1/2"	32	80	35	10	8	140	91
GSU 100-200	125	100	125	470	200	280	3/8"	80	160	120	360	280	110	402	340	5/8"	1/2"	32	80	35	10	8	140	103
GSU 100-250	125	100	140	470	225	280	3/8"	80	160	120	400	315	110	414	340	5/8"	1/2"	32	80	35	10	8	140	108
GSU 100-315	125	100	140	470	250	315	3/8"	80	160	120	400	315	110	442	340	5/8"	1/2"	32	80	35	10	8	140	109
GSU 100-400	125	100	140	530	280	355	3/8"	100	200	150	500	400	110	560	340	3/4"	1/2"	42	110	45	12	8	140	189
GSU 125-200	150	125	140	470	250	315	3/8"	80	160	120	400	315	110	446	340	5/8"	1/2"	32	80	35	10	8	140	120
GSU-125-315	150	125	140	530	280	355	3/8"	100	200	150	500	400	110	522	370	3/4"	1/2"	42	110	45	12	8	140	176
GSU 125-400	150	125	140	530	315	400	3/8"	100	200	150	500	400	110	522	370	3/4"	1/2"	42	110	45	12	8	140	218

1) Minimum distance between shaft ends (DBSE) to allow for removal of rotating assembly. The given dimension considers the use of flexible shaft couplings with spacer.

Illinois Location:
 (847) 841-7867
 860 Church Rd Elgin, IL 60123

Minnesota Location:
 (651) 758-7867
 330 Mill Bay South Suite 1511
 Afton, MN 55001

PumpSupplyInc.com





EBARA End Suction Centrifugal Pumps

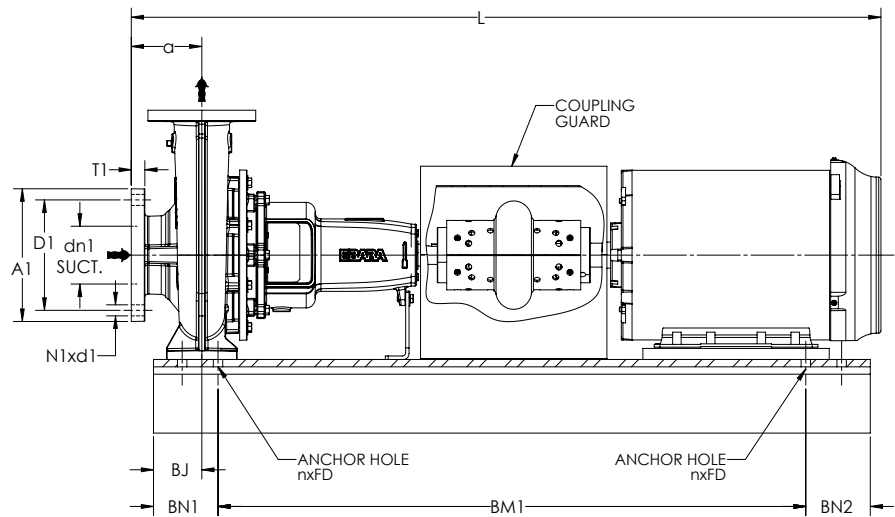
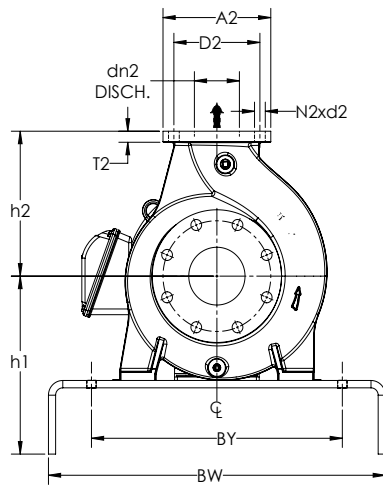
Model GSU

Dimensions

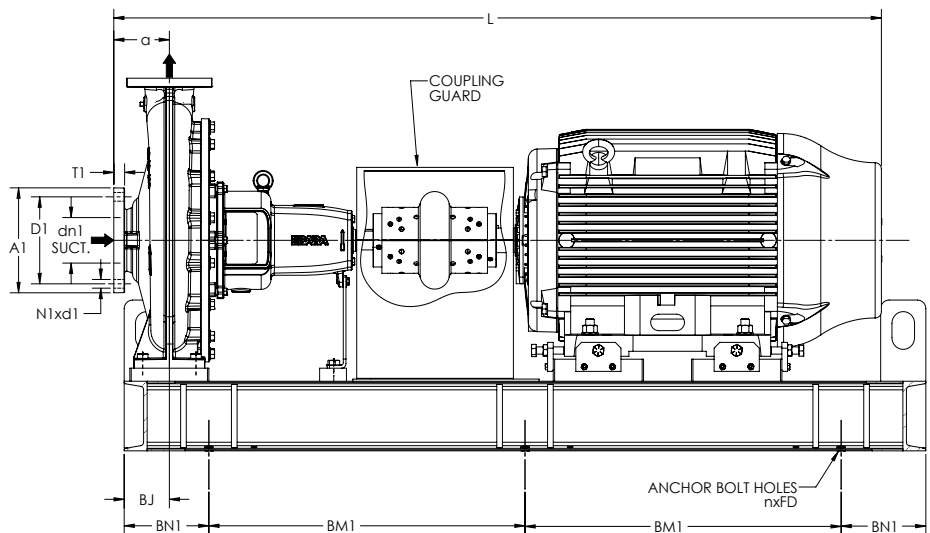
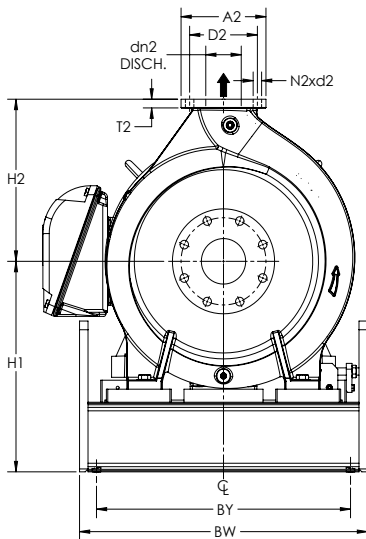
Dimensions of Pump with Motor



Steel Baseplate (Fig.A)- up to 75 hp



Fabricated Baseplate (Fig.B)- 100 hp and over



EBARA End Suction Centrifugal Pumps

Model GSU

Dimensions

Dimensions of Pump with Motor



2-Pole



Unit: in

Model	Power [hp]	Fig	dn1	A1	D1	T1	N1	d1	dn2	A2	D2	T2	N2	d2	a	h2	h1	BM1	BN1	BN2	BY	BW	L	BJ	n x FD
GSU2-32-125.1	2	A	2	6	4 3/4	5/8	4	3/4	1 1/4	4 5/8	3 1/2	1/2	4	5/8	3 1/8	5 1/2	9 1/16	26	4 1/2	4 1/2	11 3/4	18	35	2 7/8	4 x 11/16
GSU2-32-125.1	3	A	2	6	4 3/4	5/8	4	3/4	1 1/4	4 5/8	3 1/2	1/2	4	5/8	3 1/8	5 1/2	9 1/16	31	4 1/2	4 1/2	11 3/4	18	40	2 7/8	4 x 11/16
GSU2-32-125.1	5	A	2	6	4 3/4	5/8	4	3/4	1 1/4	4 5/8	3 1/2	1/2	4	5/8	3 1/8	5 1/2	9 1/16	31	4 1/2	4 1/2	11 3/4	18	40	2 7/8	4 x 11/16
GSU2-32-125	2	A	2	6	4 3/4	5/8	4	3/4	1 1/4	4 5/8	3 1/2	1/2	4	5/8	3 1/8	5 1/2	9 1/16	26	4 1/2	4 1/2	11 3/4	18	35	2 7/8	4 x 11/16
GSU2-32-125	3	A	2	6	4 3/4	5/8	4	3/4	1 1/4	4 5/8	3 1/2	1/2	4	5/8	3 1/8	5 1/2	9 1/16	31	4 1/2	4 1/2	11 3/4	18	40	2 7/8	4 x 11/16
GSU2-32-125	5	A	2	6	4 3/4	5/8	4	3/4	1 1/4	4 5/8	3 1/2	1/2	4	5/8	3 1/8	5 1/2	9 1/16	31	4 1/2	4 1/2	11 3/4	18	40	2 7/8	4 x 11/16
GSU2-32-125	7.5	A	2	6	4 3/4	5/8	4	3/4	1 1/4	4 5/8	3 1/2	1/2	4	5/8	3 1/8	5 1/2	10 7/16	31	4 1/2	4 1/2	11 3/4	18	42	2 7/8	4 x 11/16
GSU2-32-125	10	A	2	6	4 3/4	5/8	4	3/4	1 1/4	4 5/8	3 1/2	1/2	4	5/8	3 1/8	5 1/2	10 7/16	31	4 1/2	4 1/2	11 3/4	18	41	2 7/8	4 x 11/16
GSU2-32-160.1	5	A	2	6	4 3/4	5/8	4	3/4	1 1/4	4 5/8	3 1/2	1/2	4	5/8	3 1/8	6 5/16	10 3/16	31	4 1/2	4 1/2	13 3/4	20	40	2 7/8	4 x 11/16
GSU2-32-160.1	7.5	A	2	6	4 3/4	5/8	4	3/4	1 1/4	4 5/8	3 1/2	1/2	4	5/8	3 1/8	6 5/16	10 7/16	31	4 1/2	4 1/2	13 3/4	20	41	2 7/8	4 x 11/16
GSU2-32-160.1	10	A	2	6	4 3/4	5/8	4	3/4	1 1/4	4 5/8	3 1/2	1/2	4	5/8	3 1/8	6 5/16	10 7/16	31	4 1/2	4 1/2	13 3/4	20	41	2 7/8	4 x 11/16
GSU2-32-160.1	15	A	2	6	4 3/4	5/8	4	3/4	1 1/4	4 5/8	3 1/2	1/2	4	5/8	3 1/8	6 5/16	11 5/16	36	4 1/2	4 1/2	15 3/4	22	45	2 7/8	4 x 11/16
GSU2-32-160	7.5	A	2	6	4 3/4	5/8	4	3/4	1 1/4	4 5/8	3 1/2	1/2	4	5/8	3 1/8	6 5/16	10 7/16	31	4 1/2	4 1/2	13 3/4	20	41	2 7/8	4 x 11/16
GSU2-32-160	10	A	2	6	4 3/4	5/8	4	3/4	1 1/4	4 5/8	3 1/2	1/2	4	5/8	3 1/8	6 5/16	10 7/16	31	4 1/2	4 1/2	13 3/4	20	41	2 7/8	4 x 11/16
GSU2-32-160	15	A	2	6	4 3/4	5/8	4	3/4	1 1/4	4 5/8	3 1/2	1/2	4	5/8	3 1/8	6 5/16	11 5/16	36	4 1/2	4 1/2	15 3/4	22	45	2 7/8	4 x 11/16
GSU2-32-200	15	A	2	6	4 3/4	5/8	4	3/4	1 1/4	4 5/8	3 1/2	1/2	4	5/8	3 1/8	7 1/16	11 5/16	36	4 1/2	4 1/2	15 3/4	22	45	2 7/8	4 x 11/16
GSU2-32-200	20	A	2	6	4 3/4	5/8	4	3/4	1 1/4	4 5/8	3 1/2	1/2	4	5/8	3 1/8	7 1/16	11 5/16	36	4 1/2	4 1/2	15 3/4	22	45	2 7/8	4 x 11/16
GSU2-32-200	25	A	2	6	4 3/4	5/8	4	3/4	1 1/4	4 5/8	3 1/2	1/2	4	5/8	3 1/8	7 1/16	12 1/16	36	4 1/2	4 1/2	15 3/4	22	48	2 7/8	4 x 11/16
GSU2-32-200	30	A	2	6	4 3/4	5/8	4	3/4	1 1/4	4 5/8	3 1/2	1/2	4	5/8	3 1/8	7 1/16	12 1/16	36	4 1/2	4 1/2	15 3/4	22	48	2 7/8	4 x 11/16
GSU2-32-250	15	A	2	6	4 3/4	5/8	4	3/4	1 1/4	4 5/8	3 1/2	1/2	4	5/8	3 15/16	8 7/8	12 1/16	41	4 1/2	4 1/2	15 3/4	22	45	3 3/8	4 x 11/16
GSU2-32-250	20	A	2	6	4 3/4	5/8	4	3/4	1 1/4	4 5/8	3 1/2	1/2	4	5/8	3 15/16	8 7/8	12 1/16	41	4 1/2	4 1/2	15 3/4	22	45	3 3/8	4 x 11/16
GSU2-32-250	25	A	2	6	4 3/4	5/8	4	3/4	1 1/4	4 5/8	3 1/2	1/2	4	5/8	3 15/16	8 7/8	12 1/16	41	4 1/2	4 1/2	15 3/4	22	50	3 3/8	4 x 11/16
GSU2-32-250	30	A	2	6	4 3/4	5/8	4	3/4	1 1/4	4 5/8	3 1/2	1/2	4	5/8	3 15/16	8 7/8	12 1/16	41	4 1/2	4 1/2	15 3/4	22	50	3 3/8	4 x 11/16
GSU2-32-250	40	A	2	6	4 3/4	5/8	4	3/4	1 1/4	4 5/8	3 1/2	1/2	4	5/8	3 15/16	8 7/8	13 1/16	46	4 1/2	4 1/2	18 1/2	25	52	3 3/8	4 x 11/16
GSU2-40-125	5	A	2 1/2	7	5 1/2	1 1/16	4	3/4	1 1/2	5	3 7/8	9/16	4	5/8	3 1/8	5 1/2	9 1/16	31	4 1/2	4 1/2	13 3/4	20	40	2 7/8	4 x 11/16
GSU2-40-125	7.5	A	2 1/2	7	5 1/2	1 1/16	4	3/4	1 1/2	5	3 7/8	9/16	4	5/8	3 1/8	5 1/2	10 5/16	31	4 1/2	4 1/2	13 3/4	20	41	2 7/8	4 x 11/16
GSU2-40-125	10	A	2 1/2	7	5 1/2	1 1/16	4	3/4	1 1/2	5	3 7/8	9/16	4	5/8	3 1/8	5 1/2	10 5/16	31	4 1/2	4 1/2	13 3/4	20	41	2 7/8	4 x 11/16
GSU2-40-160	10	A	2 1/2	7	5 1/2	1 1/16	4	3/4	1 1/2	5	3 7/8	9/16	4	5/8	3 1/8	6 5/16	10 7/16	31	4 1/2	4 1/2	13 3/4	20	41	2 7/8	4 x 11/16
GSU2-40-160	15	A	2 1/2	7	5 1/2	1 1/16	4	3/4	1 1/2	5	3 7/8	9/16	4	5/8	3 1/8	6 5/16	11 5/16	36	4 1/2	4 1/2	15 3/4	22	45	2 7/8	4 x 11/16
GSU2-40-160	20	A	2 1/2	7	5 1/2	1 1/16	4	3/4	1 1/2	5	3 7/8	9/16	4	5/8	3 1/8	6 5/16	11 5/16	36	4 1/2	4 1/2	15 3/4	22	45	2 7/8	4 x 11/16
GSU2-40-160	25	A	2 1/2	7	5 1/2	1 1/16	4	3/4	1 1/2	5	3 7/8	9/16	4	5/8	3 1/8	6 5/16	12 3/16	36	4 1/2	4 1/2	15 3/4	22	48	2 7/8	4 x 11/16
GSU2-40-200	20	A	2 1/2	7	5 1/2	1 1/16	4	3/4	1 1/2	5	3 7/8	9/16	4	5/8	3 15/16	7 1/16	11 5/16	41	4 1/2	4 1/2	17 1/4	23 1/2	45	2 7/8	4 x 11/16
GSU2-40-200	25	A	2 1/2	7	5 1/2	1 1/16	4	3/4	1 1/2	5	3 7/8	9/16	4	5/8	3 15/16	7 1/16	12 1/16	41	4 1/2	4 1/2	15 3/4	22	50	2 7/8	4 x 11/16
GSU2-40-200	30	A	2 1/2	7	5 1/2	1 1/16	4	3/4	1 1/2	5	3 7/8	9/16	4	5/8	3 15/16	7 1/16	12 1/16	41	4 1/2	4 1/2	15 3/4	22	50	2 7/8	4 x 11/16
GSU2-40-200	40	A	2 1/2	7	5 1/2	1 1/16	4	3/4	1 1/2	5	3 7/8	9/16	4	5/8	3 15/16	7 1/16	13 1/16	46	4 1/2	4 1/2	18 1/2	25	52	2 7/8	4 x 11/16
GSU2-40-200	50	A	2 1/2	7	5 1/2	1 1/16	4	3/4	1 1/2	5	3 7/8	9/16	4	5/8	3 15/16	7 1/16	13 1/16	46	4 1/2	4 1/2	18 1/2	25	52	2 7/8	4 x 11/16
GSU2-40-250	30	A	2 1/2	7	5 1/2	1 1/16	4	3/4	1 1/2	5	3 7/8	9/16	4	5/8	3 15/16	8 7/8	12 1/16	41	4 1/2	4 1/2	15 3/4	22	50	3 3/8	4 x 11/16
GSU2-40-250	40	A	2 1/2	7	5 1/2	1 1/16	4	3/4	1 1/2	5	3 7/8	9/16	4	5/8	3 15/16	8 7/8	13 1/16	46	4 1/2	4 1/2	18 1/2	25	52	3 3/8	4 x 11/16
GSU2-40-250	50	A	2 1/2	7	5 1/2	1 1/16	4	3/4	1 1/2	5	3 7/8	9/16	4	5/8	3 15/16	8 7/8	13 1/16	46	4 1/2	4 1/2	18 1/2	25	52	3 3/8	4 x 11/16
GSU2-40-250	60	A	2 1/2	7	5 1/2	1 1/16	4	3/4	1 1/2	5	3 7/8	9/16	4	5/8	3 15/16	8 7/8	14 1/16	46	4 1/2	4 1/2	18 1/2	25	55	3 3/8	4 x 11/16

Illinois Location:
(847) 841-7867
860 Church Rd Elgin, IL 60123

Minnesota Location:
(651) 758-7867
330 Mill Bay South Suite 1511
Afton, MN 55001

PumpSupplyInc.com



EBARA End Suction Centrifugal Pumps

Model GSU

Dimensions

Dimensions of Pump with Motor



2-Pole


Unit: in

Model	Power [hp]	Fig	dn1	A1	D1	T1	N1	d1	dn2	A2	D2	T2	N2	d2	a	h2	h1	BM1	BN1	BN2	BY	BW	L	BJ	n x FD
GSU2-50-200	30	A	2 1/2	7	5 1/2	11 1/16	4	3/4	2	6	4 3/4	5 1/8	4	3/4	3 15/16	7 7/8	12 1/16	41	4 1/2	4 1/2	15 3/4	22	50	2 7/8	4 x 11 1/16
GSU2-50-200	40	A	2 1/2	7	5 1/2	11 1/16	4	3/4	2	6	4 3/4	5 1/8	4	3/4	3 15/16	7 7/8	13 1/16	46	4 1/2	4 1/2	18 1/2	25	52	2 7/8	4 x 11 1/16
GSU2-50-200	50	A	2 1/2	7	5 1/2	11 1/16	4	3/4	2	6	4 3/4	5 1/8	4	3/4	3 15/16	7 7/8	13 1/16	46	4 1/2	4 1/2	18 1/2	25	52	2 7/8	4 x 11 1/16
GSU2-50-200	60	A	2 1/2	7	5 1/2	11 1/16	4	3/4	2	6	4 3/4	5 1/8	4	3/4	3 15/16	7 7/8	14 1/16	46	4 1/2	4 1/2	18 1/2	25	55	2 7/8	4 x 11 1/16
GSU2-50-250	50	A	2 1/2	7	5 1/2	11 1/16	4	3/4	2	6	4 3/4	5 1/8	4	3/4	3 15/16	8 7/8	13 1/16	46	4 1/2	4 1/2	18 1/2	25	52	3 3/8	4 x 11 1/16
GSU2-50-250	60	A	2 1/2	7	5 1/2	11 1/16	4	3/4	2	6	4 3/4	5 1/8	4	3/4	3 15/16	8 7/8	14 1/16	46	4 1/2	4 1/2	18 1/2	25	55	3 3/8	4 x 11 1/16
GSU2-50-250	75	A	2 1/2	7	5 1/2	11 1/16	4	3/4	2	6	4 3/4	5 1/8	4	3/4	3 15/16	8 7/8	14 1/16	46	4 1/2	4 1/2	18 1/2	25	55	3 3/8	4 x 11 1/16
GSU2-65-125	10	A	3	7 1/2	6	3/4	4	3/4	2 1/2	7	5 1/2	11 1/16	4	3/4	3 15/16	7 1/16	11 5/16	31	4 1/2	4 1/2	14	20	42	3 3/8	4 x 11 1/16
GSU2-65-125	15	A	3	7 1/2	6	3/4	4	3/4	2 1/2	7	5 1/2	11 1/16	4	3/4	3 15/16	7 1/16	11 5/16	36	4 1/2	4 1/2	15 3/4	22	45	3 3/8	4 x 11 1/16
GSU2-65-125	20	A	3	7 1/2	6	3/4	4	3/4	2 1/2	7	5 1/2	11 1/16	4	3/4	3 15/16	7 1/16	11 5/16	36	4 1/2	4 1/2	15 3/4	22	45	3 3/8	4 x 11 1/16
GSU2-65-125	25	A	3	7 1/2	6	3/4	4	3/4	2 1/2	7	5 1/2	11 1/16	4	3/4	3 15/16	7 1/16	12 1/16	36	4 1/2	4 1/2	15 3/4	22	50	3 3/8	4 x 11 1/16
GSU2-65-125	30	A	3	7 1/2	6	3/4	4	3/4	2 1/2	7	5 1/2	11 1/16	4	3/4	3 15/16	7 1/16	12 1/2	36	4 1/2	4 1/2	15 3/4	22	50	3 3/8	4 x 11 1/16
GSU2-65-250	50	A	3	7 1/2	6	3/4	4	3/4	2 1/2	7	5 1/2	11 1/16	4	3/4	3 15/16	9 13/16	13 1/8	51	4 1/2	4 1/2	18 1/2	25	58	4 3/8	4 x 11 1/16
GSU2-65-250	60	A	3	7 1/2	6	3/4	4	3/4	2 1/2	7	5 1/2	11 1/16	4	3/4	3 15/16	9 13/16	14 1/8	51	4 1/2	4 1/2	18 1/2	25	60	4 3/8	4 x 11 1/16
GSU2-65-250	75	A	3	7 1/2	6	3/4	4	3/4	2 1/2	7	5 1/2	11 1/16	4	3/4	3 15/16	9 13/16	14 1/8	51	4 1/2	4 1/2	18 1/2	25	60	4 3/8	4 x 11 1/16
GSU2-65-250	100	B	3	7 1/2	6	3/4	4	3/4	2 1/2	7	5 1/2	11 1/16	4	3/4	3 15/16	9 13/16	17 1/8	28	8 1/2	---	22 1/2	25 1/2	65	4	4 x 3 3/4
GSU2-65-250	125	B	3	7 1/2	6	3/4	4	3/4	2 1/2	7	5 1/2	11 1/16	4	3/4	3 15/16	9 13/16	18 1/8	28	8 1/2	---	22 1/2	25 1/2	70	4	4 x 3 3/4
GSU2-65-250	150	B	3	7 1/2	6	3/4	4	3/4	2 1/2	7	5 1/2	11 1/16	4	3/4	3 15/16	9 13/16	18 1/8	28	8 1/2	---	22 1/2	25 1/2	70	4	4 x 3 3/4
GSU2-80-200	50	A	4	9	7 1/2	15 1/16	8	3/4	3	7 1/2	6	3/4	4	3/4	4 15/16	9 13/16	13 1/16	51	4 1/2	4 1/2	18 1/2	25	60	3 3/8	4 x 11 1/16
GSU2-80-200	60	A	4	9	7 1/2	15 1/16	8	3/4	3	7 1/2	6	3/4	4	3/4	4 15/16	9 13/16	17 1/16	51	4 1/2	4 1/2	18 1/2	25	62	3 3/8	4 x 11 1/16
GSU2-80-200	75	A	4	9	7 1/2	15 1/16	8	3/4	3	7 1/2	6	3/4	4	3/4	4 15/16	9 13/16	14 1/16	51	4 1/2	4 1/2	18 1/2	25	62	3 3/8	4 x 11 1/16
GSU2-80-200	100	B	4	9	7 1/2	15 1/16	8	3/4	3	7 1/2	6	3/4	4	3/4	4 15/16	9 13/16	17 1/16	28	8 1/2	---	22 1/2	25 1/2	65	4	4 x 3 3/4
GSU2-80-200	125	B	4	9	7 1/2	15 1/16	8	3/4	3	7 1/2	6	3/4	4	3/4	4 15/16	9 13/16	18 1/16	28	8 1/2	---	22 1/2	25 1/2	70	4	4 x 3 3/4
GSU2-100-160	30	A	5	10	8 1/2	15 1/16	8	7/8	4	9	7 1/2	15 1/16	8	3/4	4 15/16	9 13/16	12 7/8	46	4 1/2	4 1/2	19	25	55	4 1/8	4 x 11 1/16
GSU2-100-160	40	A	5	10	8 1/2	15 1/16	8	7/8	4	9	7 1/2	15 1/16	8	3/4	4 15/16	9 13/16	13 1/8	51	4 1/2	4 1/2	18 1/2	25	60	4 3/8	4 x 11 1/16
GSU2-100-160	50	A	5	10	8 1/2	15 1/16	8	7/8	4	9	7 1/2	15 1/16	8	3/4	4 15/16	9 13/16	13 1/8	51	4 1/2	4 1/2	18 1/2	25	60	4 3/8	4 x 11 1/16
GSU2-100-160	60	A	5	10	8 1/2	15 1/16	8	7/8	4	9	7 1/2	15 1/16	8	3/4	4 15/16	9 13/16	14 1/8	51	4 1/2	4 1/2	18 1/2	25	62	4 3/8	4 x 11 1/16
GSU2-100-160	75	A	5	10	8 1/2	15 1/16	8	7/8	4	9	7 1/2	15 1/16	8	3/4	4 15/16	9 13/16	14 1/8	51	4 1/2	4 1/2	18 1/2	25	62	4 3/8	4 x 11 1/16
GSU2-100-200	60	A	5	10	8 1/2	15 1/16	8	7/8	4	9	7 1/2	15 1/16	8	3/4	4 15/16	11	14 1/8	51	4 1/2	4 1/2	18 1/2	25	62	4 3/8	4 x 11 1/16
GSU2-100-200	75	A	5	10	8 1/2	15 1/16	8	7/8	4	9	7 1/2	15 1/16	8	3/4	4 15/16	11	14 1/8	51	4 1/2	4 1/2	18 1/2	25	62	4 3/8	4 x 11 1/16
GSU2-100-200	100	B	5	10	8 1/2	15 1/16	8	7/8	4	9	7 1/2	15 1/16	8	3/4	4 15/16	11	17 1/8	28	8 1/2	---	22 1/2	25 1/2	65	4	4 x 3 3/4
GSU2-100-200	125	B	5	10	8 1/2	15 1/16	8	7/8	4	9	7 1/2	15 1/16	8	3/4	4 15/16	11	18 1/8	28	8 1/2	---	22 1/2	25 3/8	70	4	4 x 3 3/4
GSU2-100-200	150	B	5	10	8 1/2	15 1/16	8	7/8	4	9	7 1/2	15 1/16	8	3/4	4 15/16	11	18 1/8	28	8 1/2	---	22 1/2	25 1/2	70	4	4 x 3 3/4
GSU2-100-200	200	B	5	10	8 1/2	15 1/16	8	7/8	4	9	7 1/2	15 1/16	8	3/4	4 15/16	11	18 1/8	28	11	---	22 1/2	25 1/2	74	4	4 x 3 3/4
GSU2-125-200	100	B	6	11	9 1/2	1	8	7/8	5	10	8 1/2	15 1/16	8	7/8	5 1/2	12 3/8	17 3/16	28	7 1/2	---	22 1/2	25 1/2	66	6	4 x 3 3/4
GSU2-125-200	125	B	6	11	9 1/2	1	8	7/8	5	10	8 1/2	15 1/16	8	7/8	5 1/2	12 3/8	18 3/16	28	8 1/2	---	22 1/2	25 1/2	71	6	4 x 3 3/4
GSU2-125-200	150	B	6	11	9 1/2	1	8	7/8	5	10	8 1/2	15 1/16	8	7/8	5 1/2	12 3/8	18 3/16	28	8 1/2	---	22 1/2	25 1/2	71	6	4 x 3 3/4
GSU2-125-200	200	B	6	11	9 1/2	1	8	7/8	5	10	8 1/2	15 1/16	8	7/8	5 1/2	12 3/8	18 3/16	28	11	---	22 1/2	25 1/2	75	6	4 x 3 3/4

Illinois Location:
(847) 841-7867
860 Church Rd Elgin, IL 60123

Minnesota Location:
(651) 758-7867
330 Mill Bay South Suite 1511
Afton, MN 55001

PumpSupplyInc.com





EBARA End Suction Centrifugal Pumps

Model GSU

Dimensions

Dimensions of Pump with Motor



4-Pole


Unit: in

Model	Power [hp]	Fig	dn1	A1	D1	T1	N1	d1	dn2	A2	D2	T2	N2	d2	a	h2	h1	BM1	BN1	BN2	BY	BW	L	BJ	n x FD
GSU4-32-125.1	0.5	A	2	6	4 3/4	5/8	4	3/4	1 1/4	4 5/8	3 1/2	1/2	4	5/8	3 1/8	5 1/2	9 7/16	26	4 1/2	4 1/2	11 3/4	18	35	2 7/8	4 x 11 1/16
GSU4-32-125.1	0.75	A	2	6	4 3/4	5/8	4	3/4	1 1/4	4 5/8	3 1/2	1/2	4	5/8	3 1/8	5 1/2	9 7/16	26	4 1/2	4 1/2	11 3/4	18	35	2 7/8	4 x 11 1/16
GSU4-32-125.1	1	A	2	6	4 3/4	5/8	4	3/4	1 1/4	4 5/8	3 1/2	1/2	4	5/8	3 1/8	5 1/2	9 7/16	26	4 1/2	4 1/2	11 3/4	18	35	2 7/8	4 x 11 1/16
GSU4-32-160.1	0.75	A	2	6	4 3/4	5/8	4	3/4	1 1/4	4 5/8	3 1/2	1/2	4	5/8	3 1/8	6 5/16	10 3/16	26	4 1/2	4 1/2	11 3/4	18	35	2 7/8	4 x 11 1/16
GSU4-32-160.1	1	A	2	6	4 3/4	5/8	4	3/4	1 1/4	4 5/8	3 1/2	1/2	4	5/8	3 1/8	6 5/16	10 3/16	26	4 1/2	4 1/2	11 3/4	18	35	2 7/8	4 x 11 1/16
GSU4-32-160.1	1.5	A	2	6	4 3/4	5/8	4	3/4	1 1/4	4 5/8	3 1/2	1/2	4	5/8	3 1/8	6 5/16	10 3/16	26	4 1/2	4 1/2	11 3/4	18	35	2 7/8	4 x 11 1/16
GSU4-32-160	1	A	2	6	4 3/4	5/8	4	3/4	1 1/4	4 5/8	3 1/2	1/2	4	5/8	3 1/8	6 5/16	10 3/16	26	4 1/2	4 1/2	11 3/4	18	35	2 7/8	4 x 11 1/16
GSU4-32-160	1.5	A	2	6	4 3/4	5/8	4	3/4	1 1/4	4 5/8	3 1/2	1/2	4	5/8	3 1/8	6 5/16	10 3/16	26	4 1/2	4 1/2	11 3/4	18	35	2 7/8	4 x 11 1/16
GSU4-32-160	2	A	2	6	4 3/4	5/8	4	3/4	1 1/4	4 5/8	3 1/2	1/2	4	5/8	3 1/8	6 5/16	10 3/16	26	4 1/2	4 1/2	11 3/4	18	35	2 7/8	4 x 11 1/16
GSU4-32-200	1.5	A	2	6	4 3/4	5/8	4	3/4	1 1/4	4 5/8	3 1/2	1/2	4	5/8	3 1/8	7 1/16	11 5/16	26	4 1/2	4 1/2	11 3/4	18	35	2 7/8	4 x 11 1/16
GSU4-32-200	2	A	2	6	4 3/4	5/8	4	3/4	1 1/4	4 5/8	3 1/2	1/2	4	5/8	3 1/8	7 1/16	11 5/16	26	4 1/2	4 1/2	11 3/4	18	35	2 7/8	4 x 11 1/16
GSU4-32-200	3	A	2	6	4 3/4	5/8	4	3/4	1 1/4	4 5/8	3 1/2	1/2	4	5/8	3 1/8	7 1/16	11 5/16	31	4 1/2	4 1/2	13 3/4	20	40	2 7/8	4 x 11 1/16
GSU4-32-200	5	A	2	6	4 3/4	5/8	4	3/4	1 1/4	4 5/8	3 1/2	1/2	4	5/8	3 1/8	7 1/16	11 5/16	31	4 1/2	4 1/2	13 3/4	20	40	2 7/8	4 x 11 1/16
GSU4-32-250	2	A	2	6	4 3/4	5/8	4	3/4	1 1/4	4 5/8	3 1/2	1/2	4	5/8	3 15/16	8 7/8	12 1/16	31	4 1/2	4 1/2	15 3/4	22	36	3 3/8	4 x 11 1/16
GSU4-32-250	3	A	2	6	4 3/4	5/8	4	3/4	1 1/4	4 5/8	3 1/2	1/2	4	5/8	3 15/16	8 7/8	12 1/16	31	4 1/2	4 1/2	15 3/4	22	40	3 3/8	4 x 11 1/16
GSU4-32-250	5	A	2	6	4 3/4	5/8	4	3/4	1 1/4	4 5/8	3 1/2	1/2	4	5/8	3 15/16	8 7/8	12 1/16	31	4 1/2	4 1/2	15 3/4	22	40	3 3/8	4 x 11 1/16
GSU4-40-125	0.5	A	2 1/2	7	5 1/2	11/16	4	3/4	1 1/2	5	3 7/8	9/16	4	5/8	3 1/8	5 1/2	9 7/16	26	4 1/2	4 1/2	11 3/4	18	35	2 7/8	4 x 11 1/16
GSU4-40-125	0.75	A	2 1/2	7	5 1/2	11/16	4	3/4	1 1/2	5	3 7/8	9/16	4	5/8	3 1/8	5 1/2	9 7/16	26	4 1/2	4 1/2	11 3/4	18	35	2 7/8	4 x 11 1/16
GSU4-40-125	1	A	2 1/2	7	5 1/2	11/16	4	3/4	1 1/2	5	3 7/8	9/16	4	5/8	3 1/8	5 1/2	9 7/16	26	4 1/2	4 1/2	11 3/4	18	35	2 7/8	4 x 11 1/16
GSU4-40-125	1.5	A	2 1/2	7	5 1/2	11/16	4	3/4	1 1/2	5	3 7/8	9/16	4	5/8	3 1/8	5 1/2	9 7/16	26	4 1/2	4 1/2	11 3/4	18	35	2 7/8	4 x 11 1/16
GSU4-40-160	1	A	2 1/2	7	5 1/2	11/16	4	3/4	1 1/2	5	3 7/8	9/16	4	5/8	3 1/8	6 5/16	10 3/16	26	4 1/2	4 1/2	11 3/4	18	35	2 7/8	4 x 11 1/16
GSU4-40-160	1.5	A	2 1/2	7	5 1/2	11/16	4	3/4	1 1/2	5	3 7/8	9/16	4	5/8	3 1/8	6 5/16	10 3/16	26	4 1/2	4 1/2	11 3/4	18	35	2 7/8	4 x 11 1/16
GSU4-40-160	2	A	2 1/2	7	5 1/2	11/16	4	3/4	1 1/2	5	3 7/8	9/16	4	5/8	3 1/8	6 5/16	10 3/16	26	4 1/2	4 1/2	11 3/4	18	35	2 7/8	4 x 11 1/16
GSU4-40-160	3	A	2 1/2	7	5 1/2	11/16	4	3/4	1 1/2	5	3 7/8	9/16	4	5/8	3 1/8	6 5/16	10 3/16	31	4 1/2	4 1/2	13 3/4	20	40	2 7/8	4 x 11 1/16
GSU4-40-200	2	A	2 1/2	7	5 1/2	11/16	4	3/4	1 1/2	5	3 7/8	9/16	4	5/8	3 15/16	7 1/16	11 5/16	26	4 1/2	4 1/2	13 3/4	20	36	2 7/8	4 x 11 1/16
GSU4-40-200	3	A	2 1/2	7	5 1/2	11/16	4	3/4	1 1/2	5	3 7/8	9/16	4	5/8	3 15/16	7 1/16	11 5/16	31	4 1/2	4 1/2	13 3/4	20	40	2 7/8	4 x 11 1/16
GSU4-40-200	5	A	2 1/2	7	5 1/2	11/16	4	3/4	1 1/2	5	3 7/8	9/16	4	5/8	3 15/16	7 1/16	11 5/16	31	4 1/2	4 1/2	13 3/4	20	40	2 7/8	4 x 11 1/16
GSU4-40-200	7.5	A	2 1/2	7	5 1/2	11/16	4	3/4	1 1/2	5	3 7/8	9/16	4	5/8	3 15/16	7 1/16	11 5/16	31	4 1/2	4 1/2	13 3/4	20	42	2 7/8	4 x 11 1/16
GSU4-40-250	5	A	2 1/2	7	5 1/2	11/16	4	3/4	1 1/2	5	3 7/8	9/16	4	5/8	3 15/16	8 7/8	12 1/16	31	4 1/2	4 1/2	15 3/4	22	40	3 3/8	4 x 11 1/16
GSU4-40-250	7.5	A	2 1/2	7	5 1/2	11/16	4	3/4	1 1/2	5	3 7/8	9/16	4	5/8	3 15/16	8 7/8	12 1/16	31	4 1/2	4 1/2	15 3/4	22	42	3 3/8	4 x 11 1/16
GSU4-40-315	5	A	2 1/2	7	5 1/2	11/16	4	3/4	1 1/2	5	3 7/8	9/16	4	5/8	4 15/16	9 13/16	13 7/8	36	4 1/2	4 1/2	17 1/4	23 1/2	45	3 3/8	4 x 11 1/16
GSU4-40-315	7.5	A	2 1/2	7	5 1/2	11/16	4	3/4	1 1/2	5	3 7/8	9/16	4	5/8	4 15/16	9 13/16	13 7/8	36	4 1/2	4 1/2	17 1/4	23 1/2	48	3 3/8	4 x 11 1/16
GSU4-40-315	10	A	2 1/2	7	5 1/2	11/16	4	3/4	1 1/2	5	3 7/8	9/16	4	5/8	4 15/16	9 13/16	13 7/8	36	4 1/2	4 1/2	17 1/4	23 1/2	48	3 3/8	4 x 11 1/16
GSU4-40-315	15	A	2 1/2	7	5 1/2	11/16	4	3/4	1 1/2	5	3 7/8	9/16	4	5/8	4 15/16	9 13/16	13 7/8	41	4 1/2	4 1/2	17 1/4	23 1/2	51	3 3/8	4 x 11 1/16
GSU4-40-315	20	A	2 1/2	7	5 1/2	11/16	4	3/4	1 1/2	5	3 7/8	9/16	4	5/8	4 15/16	9 13/16	13 7/8	41	4 1/2	4 1/2	17 1/4	23 1/2	51	3 3/8	4 x 11 1/16
GSU4-50-200	5	A	2 1/2	7	5 1/2	11/16	4	3/4	2	6	4 3/4	5/8	4	3/4	3 15/16	7 7/8	11 5/16	31	4 1/2	4 1/2	13 3/4	20	40	2 7/8	4 x 11 1/16
GSU4-50-200	7.5	A	2 1/2	7	5 1/2	11/16	4	3/4	2	6	4 3/4	5/8	4	3/4	3 15/16	7 7/8	11 5/16	31	4 1/2	4 1/2	13 3/4	20	42	2 7/8	4 x 11 1/16
GSU4-50-250	7.5	A	2 1/2	7	5 1/2	11/16	4	3/4	2	6	4 3/4	5/8	4	3/4	3 15/16	8 7/8	12 1/16	31	4 1/2	4 1/2	15 3/4	22	42	3 3/8	4 x 11 1/16
GSU4-50-250	10	A	2 1/2	7	5 1/2	11/16	4	3/4	2	6	4 3/4	5/8	4	3/4	3 15/16	8 7/8	12 1/16	31	4 1/2	4 1/2	15 3/4	22	42	3 3/8	4 x 11 1/16
GSU4-50-250	15	A	2 1/2	7	5 1/2	11/16	4	3/4	2	6	4 3/4	5/8	4	3/4	3 15/16	8 7/8	12 1/16	41	4 1/2	4 1/2	15 3/4	22	45	3 3/8	4 x 11 1/16

Illinois Location:
(847) 841-7867
860 Church Rd Elgin, IL 60123

Minnesota Location:
(651) 758-7867
330 Mill Bay South Suite 1511
Afton, MN 55001

PumpSupplyInc.com



EBARA End Suction Centrifugal Pumps

Model GSU

Dimensions

Dimensions of Pump with Motor



4-Pole


Unit: in

Model	Power [hp]	Fig	dn1	A1	D1	T1	N1	d1	dn2	A2	D2	T2	N2	d2	a	h2	h1	BM1	BN1	BN2	BY	BW	L	BJ	n x FD
GSU4-50-315	10	A	2 1/2	7	5 1/2	11/16	4	3/4	2	6	4 3/4	5/8	4	3/4	4 15/16	11	13 7/8	36	4 1/2	4 1/2	17 1/4	23 1/2	48	3 3/8	4 x 11/16
GSU4-50-315	15	A	2 1/2	7	5 1/2	11/16	4	3/4	2	6	4 3/4	5/8	4	3/4	4 15/16	11	13 7/8	41	4 1/2	4 1/2	17 1/4	23 1/2	51	3 3/8	4 x 11/16
GSU4-50-315	20	A	2 1/2	7	5 1/2	11/16	4	3/4	2	6	4 3/4	5/8	4	3/4	4 15/16	11	13 7/8	41	4 1/2	4 1/2	17 1/4	23 1/2	50	3 3/8	4 x 11/16
GSU4-50-315	25	A	2 1/2	7	5 1/2	11/16	4	3/4	2	6	4 3/4	5/8	4	3/4	4 15/16	11	13 7/8	41	4 1/2	4 1/2	17 1/4	23 1/2	54	3 3/8	4 x 11/16
GSU4-50-315	30	A	2 1/2	7	5 1/2	11/16	4	3/4	2	6	4 3/4	5/8	4	3/4	4 15/16	11	13 7/8	41	4 1/2	4 1/2	17 1/4	23 1/2	54	3 3/8	4 x 11/16
GSU4-65-125	1.5	A	3	7 1/2	6	3/4	4	3/4	2 1/2	7	5 1/2	11/16	4	3/4	3 15/16	7 1/16	11 5/16	26	4 1/2	4 1/2	13 3/4	20	36	3 3/8	4 x 11/16
GSU4-65-125	2	A	3	7 1/2	6	3/4	4	3/4	2 1/2	7	5 1/2	11/16	4	3/4	3 15/16	7 1/16	11 5/16	26	4 1/2	4 1/2	13 3/4	20	36	3 3/8	4 x 11/16
GSU4-65-125	3	A	3	7 1/2	6	3/4	4	3/4	2 1/2	7	5 1/2	11/16	4	3/4	3 15/16	7 1/16	11 5/16	31	4 1/2	4 1/2	14	20	40	3 3/8	4 x 11/16
GSU4-65-125	5	A	3	7 1/2	6	3/4	4	3/4	2 1/2	7	5 1/2	11/16	4	3/4	3 15/16	7 1/16	11 5/16	31	4 1/2	4 1/2	14	20	40	3 3/8	4 x 11/16
GSU4-65-250	7.5	A	3	7 1/2	6	3/4	4	3/4	2 1/2	7	5 1/2	11/16	4	3/4	3 15/16	9 13/16	12 7/8	41	4 1/2	4 1/2	18 3/4	25	48	4 1/8	4 x 11/16
GSU4-65-250	10	A	3	7 1/2	6	3/4	4	3/4	2 1/2	7	5 1/2	11/16	4	3/4	3 15/16	9 13/16	12 7/8	41	4 1/2	4 1/2	18 3/4	25	48	4 1/8	4 x 11/16
GSU4-65-250	15	A	3	7 1/2	6	3/4	4	3/4	2 1/2	7	5 1/2	11/16	4	3/4	3 15/16	9 13/16	12 7/8	46	4 1/2	4 1/2	19	25	51	4 1/8	4 x 11/16
GSU4-65-250	20	A	3	7 1/2	6	3/4	4	3/4	2 1/2	7	5 1/2	11/16	4	3/4	3 15/16	9 13/16	12 7/8	46	4 1/2	4 1/2	19	25	52	4 1/8	4 x 11/16
GSU4-65-315	15	A	3	7 1/2	6	3/4	4	3/4	2 1/2	7	5 1/2	11/16	4	3/4	4 15/16	11	13 7/8	46	4 1/2	4 1/2	18 3/4	25	52	4 3/8	4 x 11/16
GSU4-65-315	20	A	3	7 1/2	6	3/4	4	3/4	2 1/2	7	5 1/2	11/16	4	3/4	4 15/16	11	13 7/8	46	4 1/2	4 1/2	18 3/4	25	52	4 3/8	4 x 11/16
GSU4-65-315	25	A	3	7 1/2	6	3/4	4	3/4	2 1/2	7	5 1/2	11/16	4	3/4	4 15/16	11	13 7/8	46	4 1/2	4 1/2	18 3/4	25	56	4 3/8	4 x 11/16
GSU4-65-315	30	A	3	7 1/2	6	3/4	4	3/4	2 1/2	7	5 1/2	11/16	4	3/4	4 15/16	11	13 7/8	46	4 1/2	4 1/2	18 3/4	25	55	4 3/8	4 x 11/16
GSU4-65-315	40	A	3	7 1/2	6	3/4	4	3/4	2 1/2	7	5 1/2	11/16	4	3/4	4 15/16	11	13 7/8	46	4 1/2	4 1/2	21 1/2	28	58	4 3/8	4 x 11/16
GSU4-80-200	5	A	4	9	7 1/2	15/16	8	3/4	3	7 1/2	6	3/4	4	3/4	4 15/16	9 13/16	12 1/16	36	4 1/2	4 1/2	17 1/4	23 1/2	48	3 3/8	4 x 11/16
GSU4-80-200	7.5	A	4	9	7 1/2	15/16	8	3/4	3	7 1/2	6	3/4	4	3/4	4 15/16	9 13/16	12 1/16	36	4 1/2	4 1/2	16 3/4	22	49	3 3/8	4 x 11/16
GSU4-80-200	10	A	4	9	7 1/2	15/16	8	3/4	3	7 1/2	6	3/4	4	3/4	4 15/16	9 13/16	12 1/16	36	4 1/2	4 1/2	15 3/4	22	49	3 3/8	4 x 11/16
GSU4-80-200	15	A	4	9	7 1/2	15/16	8	3/4	3	7 1/2	6	3/4	4	3/4	4 15/16	9 13/16	12 1/16	41	4 1/2	4 1/2	17 1/4	23 1/2	52	3 3/8	4 x 11/16
GSU4-80-200	20	A	4	9	7 1/2	15/16	8	3/4	3	7 1/2	6	3/4	4	3/4	4 15/16	9 13/16	12 1/16	41	4 1/2	4 1/2	17 1/4	23 1/2	52	3 3/8	4 x 11/16
GSU4-80-315	25	A	4	9	7 1/2	15/16	8	3/4	3	7 1/2	6	3/4	4	3/4	4 15/16	12 3/8	14 13/16	46	4 1/2	4 1/2	18 3/4	25	56	4 3/8	4 x 11/16
GSU4-80-315	30	A	4	9	7 1/2	15/16	8	3/4	3	7 1/2	6	3/4	4	3/4	4 15/16	12 3/8	14 13/16	46	4 1/2	4 1/2	18 3/4	25	55	4 3/8	4 x 11/16
GSU4-80-315	40	A	4	9	7 1/2	15/16	8	3/4	3	7 1/2	6	3/4	4	3/4	4 15/16	12 3/8	14 13/16	46	4 1/2	4 1/2	21 1/2	28	59	4 3/8	4 x 11/16
GSU4-80-315	50	A	4	9	7 1/2	15/16	8	3/4	3	7 1/2	6	3/4	4	3/4	4 15/16	12 3/8	14 13/16	46	4 1/2	4 1/2	21 1/2	28	59	4 3/8	4 x 11/16
GSU4-80-315	60	A	4	9	7 1/2	15/16	8	3/4	3	7 1/2	6	3/4	4	3/4	4 15/16	12 3/8	14 13/16	46	4 1/2	4 1/2	21 1/2	28	61	4 3/8	4 x 11/16
GSU4-80-400	25	A	4	9	7 1/2	15/16	8	3/4	3	7 1/2	6	3/4	4	3/4	4 15/16	14	16	51	4 1/2	4 1/2	23 1/2	30	58	4 1/8	4 x 11/16
GSU4-80-400	30	A	4	9	7 1/2	15/16	8	3/4	3	7 1/2	6	3/4	4	3/4	4 15/16	14	16	51	4 1/2	4 1/2	23 1/2	30	58	4 1/8	4 x 11/16
GSU4-80-400	40	A	4	9	7 1/2	15/16	8	3/4	3	7 1/2	6	3/4	4	3/4	4 15/16	14	16	51	4 1/2	4 1/2	23 1/2	30	61	4 1/8	4 x 11/16
GSU4-80-400	50	A	4	9	7 1/2	15/16	8	3/4	3	7 1/2	6	3/4	4	3/4	4 15/16	14	16	51	4 1/2	4 1/2	23 1/2	30	61	4 1/8	4 x 11/16
GSU4-80-400	60	A	4	9	7 1/2	15/16	8	3/4	3	7 1/2	6	3/4	4	3/4	4 15/16	14	16	51	4 1/2	4 1/2	23 1/2	30	64	4 1/8	4 x 11/16
GSU4-80-400	75	A	4	9	7 1/2	15/16	8	3/4	3	7 1/2	6	3/4	4	3/4	4 15/16	14	16	51	4 1/2	4 1/2	23 1/2	30	64	4 1/8	4 x 11/16
GSU4-80-400	100	B	4	9	7 1/2	15/16	8	3/4	3	7 1/2	6	3/4	4	3/4	4 15/16	14	18 1/8	28	7 1/2	--	22 1/2	25 1/2	68	4	4 x 3/4
GSU4-80-400	125	B	4	9	7 1/2	15/16	8	3/4	3	7 1/2	6	3/4	4	3/4	4 15/16	14	18 1/8	28	8 1/2	--	22 1/2	25 1/2	73	4	4 x 3/4
GSU4-100-160	5	A	5	10	8 1/2	15/16	8	7/8	4	9	7 1/2	15/16	8	3/4	4 15/16	9 13/16	12 7/8	41	4 1/2	4 1/2	18 3/4	25	47	4 1/8	4 x 11/16
GSU4-100-160	7.5	A	5	10	8 1/2	15/16	8	7/8	4	9	7 1/2	15/16	8	3/4	4 15/16	9 13/16	12 7/8	41	4 1/2	4 1/2	18 3/4	25	49	4 1/8	4 x 11/16
GSU4-100-160	10	A	5	10	8 1/2	15/16	8	7/8	4	9	7 1/2	15/16	8	3/4	4 15/16	9 13/16	12 7/8	41	4 1/2	4 1/2	18 3/4	25	49	4 1/8	4 x 11/16

Illinois Location:
(847) 841-7867
860 Church Rd Elgin, IL 60123

Minnesota Location:
(651) 758-7867
330 Mill Bay South Suite 1511
Afton, MN 55001

PumpSupplyInc.com





EBARA PUMPS AMERICAS CORPORATION

www.pumpsebara.com

(t) 803.327.5005 (f) 803.327.5097

IL - (847) 841-7867

PumpSupplyInc.com

MN - (651) 758-7867

rev. B0204-00

EBARA End Suction Centrifugal Pumps

Model GSU

Dimensions

Dimensions of Pump with Motor



4-Pole


Unit: in

Model	Power [hp]	Fig	dn1	A1	D1	T1	N1	d1	dn2	A2	D2	T2	N2	d2	a	h2	h1	BM1	BN1	BN2	BY	BW	L	BJ	n x FD
GSU4-100-200	7.5	A	5	10	8 1/2	15/16	8	7/8	4	9	7 1/2	15/16	8	3/4	4 15/16	11	12 7/8	41	4 1/2	4 1/2	18 3/4	25	49	4 1/8	4 x 1 1/16
GSU4-100-200	10	A	5	10	8 1/2	15/16	8	7/8	4	9	7 1/2	15/16	8	3/4	4 15/16	11	12 7/8	41	4 1/2	4 1/2	18 3/4	25	49	4 1/8	4 x 1 1/16
GSU4-100-200	15	A	5	10	8 1/2	15/16	8	7/8	4	9	7 1/2	15/16	8	3/4	4 15/16	11	12 7/8	46	4 1/2	4 1/2	19	25	52	4 3/8	4 x 1 1/16
GSU4-100-200	20	A	5	10	8 1/2	15/16	8	7/8	4	9	7 1/2	15/16	8	3/4	4 15/16	11	12 7/8	46	4 1/2	4 1/2	19	25	52	4 1/8	4 x 1 1/16
GSU4-100-200	25	A	5	10	8 1/2	15/16	8	7/8	4	9	7 1/2	15/16	8	3/4	4 15/16	11	12 7/8	46	4 1/2	4 1/2	19	25	55	4 3/8	4 x 1 1/16
GSU4-100-250	15	A	5	10	8 1/2	15/16	8	7/8	4	9	7 1/2	15/16	8	3/4	5 1/2	11	13 7/8	46	4 1/2	4 1/2	18 3/4	25	53	4 3/8	4 x 1 1/16
GSU4-100-250	20	A	5	10	8 1/2	15/16	8	7/8	4	9	7 1/2	15/16	8	3/4	5 1/2	11	13 7/8	46	4 1/2	4 1/2	18 3/4	25	53	4 3/8	4 x 1 1/16
GSU4-100-250	25	A	5	10	8 1/2	15/16	8	7/8	4	9	7 1/2	15/16	8	3/4	5 1/2	11	13 7/8	46	4 1/2	4 1/2	18 3/4	25	56	4 3/8	4 x 1 1/16
GSU4-100-250	30	A	5	10	8 1/2	15/16	8	7/8	4	9	7 1/2	15/16	8	3/4	5 1/2	11	13 7/8	46	4 1/2	4 1/2	18 3/4	25	56	4 3/8	4 x 1 1/16
GSU4-100-250	40	A	5	10	8 1/2	15/16	8	7/8	4	9	7 1/2	15/16	8	3/4	5 1/2	11	13 7/8	46	4 1/2	4 1/2	21 1/2	28	59	4 3/8	4 x 1 1/16
GSU4-100-315	20	A	5	10	8 1/2	15/16	8	7/8	4	9	7 1/2	15/16	8	3/4	5 1/2	12 3/8	14 13/16	46	4 1/2	4 1/2	18 3/4	25	53	4 3/8	4 x 1 1/16
GSU4-100-315	25	A	5	10	8 1/2	15/16	8	7/8	4	9	7 1/2	15/16	8	3/4	5 1/2	12 3/8	14 13/16	46	4 1/2	4 1/2	18 3/4	25	56	4 3/8	4 x 1 1/16
GSU4-100-315	30	A	5	10	8 1/2	15/16	8	7/8	4	9	7 1/2	15/16	8	3/4	5 1/2	12 3/8	14 13/16	46	4 1/2	4 1/2	18 3/4	25	56	4 3/8	4 x 1 1/16
GSU4-100-315	40	A	5	10	8 1/2	15/16	8	7/8	4	9	7 1/2	15/16	8	3/4	5 1/2	12 3/8	14 13/16	46	4 1/2	4 1/2	21 1/2	28	59	4 3/8	4 x 1 1/16
GSU4-100-315	50	A	5	10	8 1/2	15/16	8	7/8	4	9	7 1/2	15/16	8	3/4	5 1/2	12 3/8	14 13/16	46	4 1/2	4 1/2	21 1/2	28	59	4 3/8	4 x 1 1/16
GSU4-100-315	60	A	5	10	8 1/2	15/16	8	7/8	4	9	7 1/2	15/16	8	3/4	5 1/2	12 3/8	14 13/16	46	4 1/2	4 1/2	21 1/2	28	62	4 3/8	4 x 1 1/16
GSU4-100-400	40	A	5	10	8 1/2	15/16	8	7/8	4	9	7 1/2	15/16	8	3/4	5 1/2	14	16	49 1/2	5 1/4	5 1/4	23	30	62	5 3/16	4 x 1 1/16
GSU4-100-400	50	A	5	10	8 1/2	15/16	8	7/8	4	9	7 1/2	15/16	8	3/4	5 1/2	14	16	49 1/2	5 1/4	5 1/4	23	30	62	5 3/16	4 x 1 1/16
GSU4-100-400	60	A	5	10	8 1/2	15/16	8	7/8	4	9	7 1/2	15/16	8	3/4	5 1/2	14	16	49 1/2	5 1/4	5 1/4	23	30	64	5 3/16	4 x 1 1/16
GSU4-100-400	75	A	5	10	8 1/2	15/16	8	7/8	4	9	7 1/2	15/16	8	3/4	5 1/2	14	16	49 1/2	5 1/4	5 1/4	23	30	64	5 3/16	4 x 1 1/16
GSU4-100-400	100	B	5	10	8 1/2	15/16	8	7/8	4	9	7 1/2	15/16	8	3/4	5 1/2	14	18 1/8	28	7 1/2	---	22 1/2	25 1/2	69	5 15/16	4 x 3/4
GSU4-100-400	125	B	5	10	8 1/2	15/16	8	7/8	4	9	7 1/2	15/16	8	3/4	5 1/2	14	18 1/8	28	10	---	22 1/2	25 1/2	73	5 15/16	4 x 3/4
GSU4-125-200	10	A	6	11	9 1/2	1	8	7/8	5	10	8 1/2	15/16	8	7/8	5 1/2	12 3/8	14 13/16	46	4 1/2	4 1/2	18 3/4	25	50	4 3/8	4 x 1 1/16
GSU4-125-200	15	A	6	11	9 1/2	1	8	7/8	5	10	8 1/2	15/16	8	7/8	5 1/2	12 3/8	14 13/16	46	4 1/2	4 1/2	18 3/4	25	53	4 3/8	4 x 1 1/16
GSU4-125-200	20	A	6	11	9 1/2	1	8	7/8	5	10	8 1/2	15/16	8	7/8	5 1/2	12 3/8	14 13/16	46	4 1/2	4 1/2	18 3/4	25	53	4 3/8	4 x 1 1/16
GSU4-125-200	25	A	6	11	9 1/2	1	8	7/8	5	10	8 1/2	15/16	8	7/8	5 1/2	12 3/8	14 13/16	46	4 1/2	4 1/2	18 3/4	25	56	4 3/8	4 x 1 1/16
GSU4-125-200	30	A	6	11	9 1/2	1	8	7/8	5	10	8 1/2	15/16	8	7/8	5 1/2	12 3/8	14 13/16	46	4 1/2	4 1/2	18 3/4	25	56	4 3/8	4 x 1 1/16
GSU4-125-315	30	A	6	11	9 1/2	1	8	7/8	5	10	8 1/2	15/16	8	7/8	5 1/2	14	16	49 1/2	5 1/4	5 1/4	23	30	59	5 3/16	4 x 1 1/16
GSU4-125-315	40	A	6	11	9 1/2	1	8	7/8	5	10	8 1/2	15/16	8	7/8	5 1/2	14	16	49 1/2	5 1/4	5 1/4	23	30	62	5 3/16	4 x 1 1/16
GSU4-125-315	50	A	6	11	9 1/2	1	8	7/8	5	10	8 1/2	15/16	8	7/8	5 1/2	14	16	49 1/2	5 1/4	5 1/4	23	30	62	5 3/16	4 x 1 1/16
GSU4-125-315	60	A	6	11	9 1/2	1	8	7/8	5	10	8 1/2	15/16	8	7/8	5 1/2	14	16	49 1/2	5 1/4	5 1/4	23	30	64	5 3/16	4 x 1 1/16
GSU4-125-315	75	A	6	11	9 1/2	1	8	7/8	5	10	8 1/2	15/16	8	7/8	5 1/2	14	16	49 1/2	5 1/4	5 1/4	23	30	64	5 3/16	4 x 1 1/16
GSU4-125-315	100	B	6	11	9 1/2	1	8	7/8	5	10	8 1/2	15/16	8	7/8	5 1/2	14	18 1/8	28	7 1/2	---	22 1/2	25 1/2	69	5 15/16	4 x 3/4
GSU4-125-400	60	A	6	11	9 1/2	1	8	7/8	5	10	8 1/2	15/16	8	7/8	5 1/2	15 3/4	17 3/8	49 1/2	5 1/4	5 1/4	23	30	64	5 3/16	4 x 1 1/16
GSU4-125-400	75	A	6	11	9 1/2	1	8	7/8	5	10	8 1/2	15/16	8	7/8	5 1/2	15 3/4	17 3/8	49 1/2	5 1/4	5 1/4	23	30	64	5 3/16	4 x 1 1/16
GSU4-125-400	100	B	6	11	9 1/2	1	8	7/8	5	10	8 1/2	15/16	8	7/8	5 1/2	15 3/4	19 1/2	28	7 1/2	---	22 1/2	25 1/2	69	5 15/16	4 x 3/4
GSU4-125-400	125	B	6	11	9 1/2	1	8	7/8	5	10	8 1/2	15/16	8	7/8	5 1/2	15 3/4	19 1/2	28	10	---	22 1/2	25 1/2	73	5 15/16	4 x 3/4
GSU4-125-400	150	B	6	11	9 1/2	1	8	7/8	5	10	8 1/2	15/16	8	7/8	5 1/2	15 3/4	19 1/2	28	12	---	22 1/2	25 1/2	77	5 15/16	4 x 3/4
GSU4-125-400	200	B	6	11	9 1/2	1	8	7/8	5	10	8 1/2	15/16	8	7/8	5 1/2	15 3/4	19 1/2	28	13 1/2	---	22 1/2	25 1/2	81	5 15/16	4 x 3/4

Illinois Location:
(847) 841-7867
860 Church Rd Elgin, IL 60123

Minnesota Location:
(651) 758-7867
330 Mill Bay South Suite 1511
Afton, MN 55001

PumpSupplyInc.com





EBARA PUMPS AMERICAS CORPORATION

www.pumpsebara.com

(t) 803.327.5005 (f) 803.327.5097

IL - (847) 841-7867

PumpSupplyInc.com

MN - (651) 758-7867