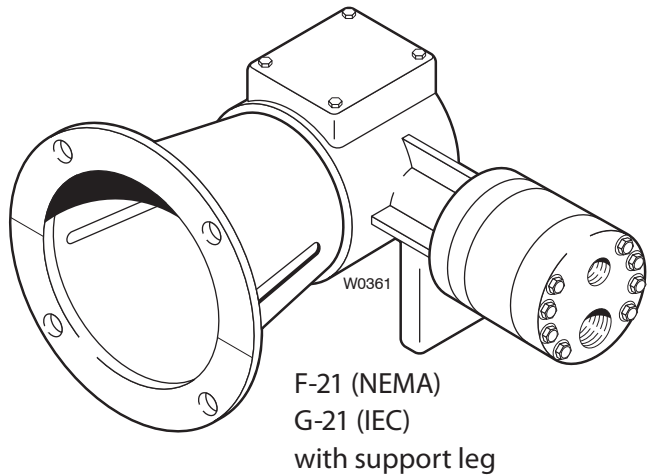


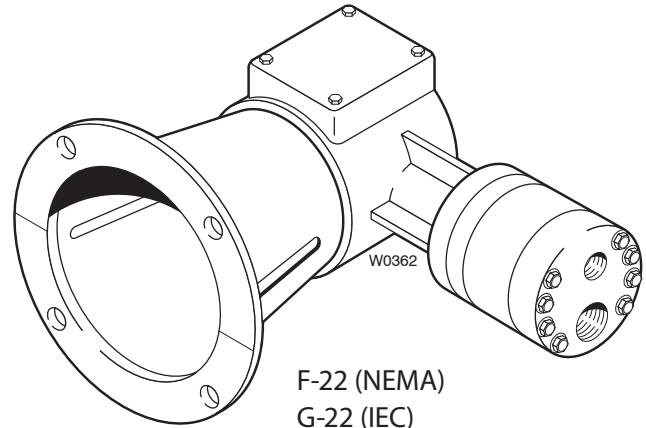


Pump/Motor Adapters

Adapter Kits for F/G-21 and F/G-22



F-21 (NEMA)
G-21 (IEC)
with support leg



F-22 (NEMA)
G-22 (IEC)
without support leg
(requires motor with
support feet)

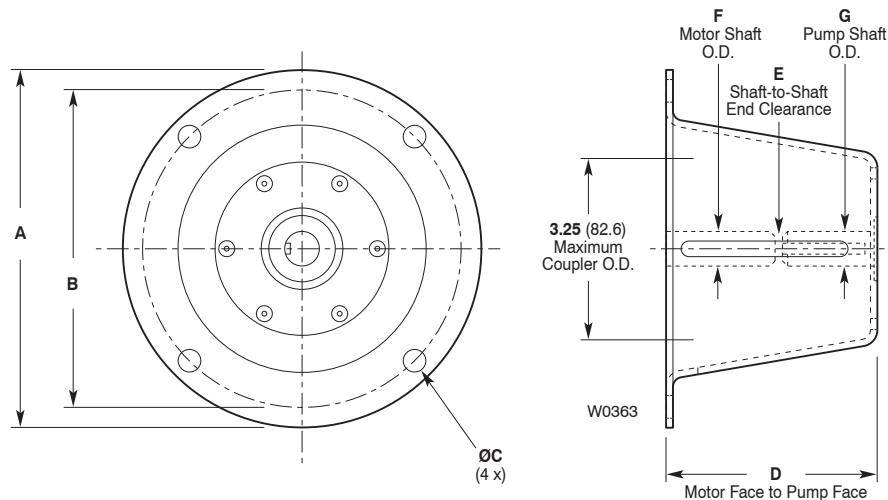
Part Number Description

A04-005-1200 F-21 and F-22 Pump/Motor Adapter Kit for NEMA 56C, 143/145TC C-Face Motors

A04-006-1200 G-21 and G-22 Pump/Motor Adapter Kit for IEC 80-90 B5 Flange Motors

Dimensions

inches (mm)



Adapter Kit Part Number	Adapter Kit Motor Size	Dimensions in (mm)							
		A	B	C	D	E	F	G	
A04-005-1200	NEMA 56C	6.50	5.875	0.42	3.95	0.13	0.625	0.625	
	NEMA 143/145TC	6.50	5.875	0.42	3.95	0.07	0.875	0.625	
A04-006-1200	IEC 80 B5	(200)	(165)	(12)	(100.8)	(16.4)	(19)	(19)	
	IEC 90 B5	(200)	(165)	(12)	(100.8)	(6.4)	(24)	(19)	



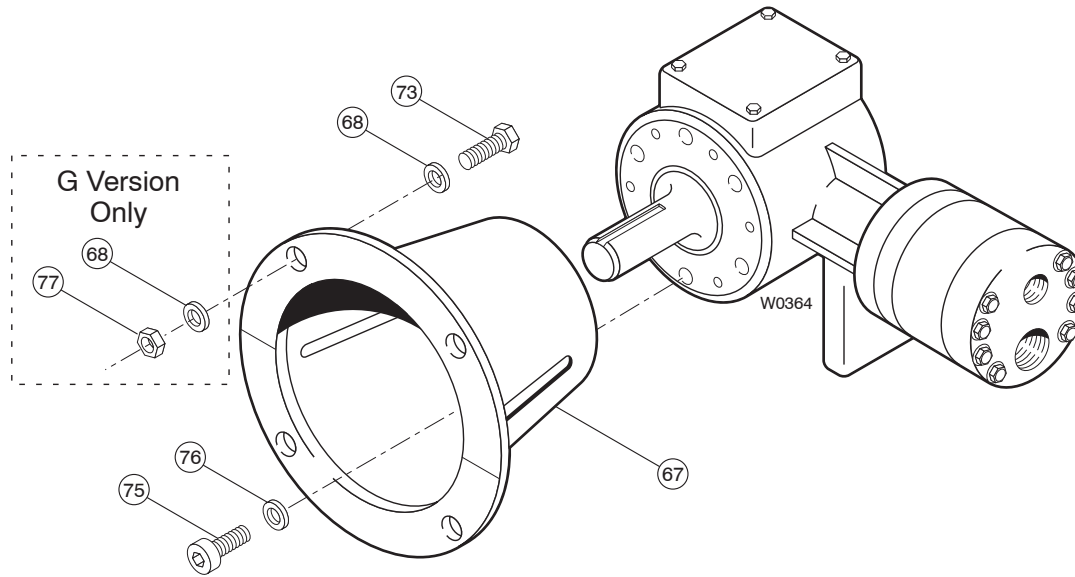
WANNER ENGINEERING, INC.





Pump/Motor Adapters

Installation for F/G-21 and F/G-22



Installation:

Insert and hand-tighten the six socket-head cap screws (75) with lockwashers (76) through adapter (67) and into front face of pump. Tighten all screws.

Install shaft key (65) (provided with pump), and coupling hub (customer supplied) onto pump shaft.

Install motor shaft key and slide coupling over motor shaft.

Insert and hand-tighten four hex-head cap screws (73) with lockwashers (68) through adapter (67) and into front face of motor. On "G" versions, use additional lockwashers (68) and hex nuts (77) on back side of motor B5 flange. Tighten all screws.

Make any adjustments to the position of the coupling hubs through the access slots in the sides of the adapter. Tighten coupling set screws.

Adapter Kit Contents:

Ref No.	Description	F Version Kit (NEMA) A04-005-1200		G Version Kit (IEC) A04-006-1200	
		Part Number	Quantity/Kit	Part Number	Quantity/Kit
67	Pump/Motor Adapter	F20-121-1010	1	G20-121-1010	1
68	Lockwasher, split 3/8"	D10-048-2010	4	A04-044-2010 18mm O.D.	8
73	Cap Screw, hex-head 3/8-16 x 1"	D10-029-2010	4	A04-046-2010 M10 x 45mm	4
75	Cap Screw, socket-head, M5 x 14mm	G20-101-2010	6	G20-101-2010	6
76	Lockwasher, split, 8.8mm O.D.	G20-050-2010	6	G20-050-2010	6
77	Hex Nut, M5	—	—	A04-047-2010	4



Illinois Location:

(847) 841-7867
860 Church Rd Elgin, IL 60123

Minnesota Location:

(651) 758-7867
330 Mill Bay South Suite 1511 Afton, MN 55001

PumpSupplyInc.com

