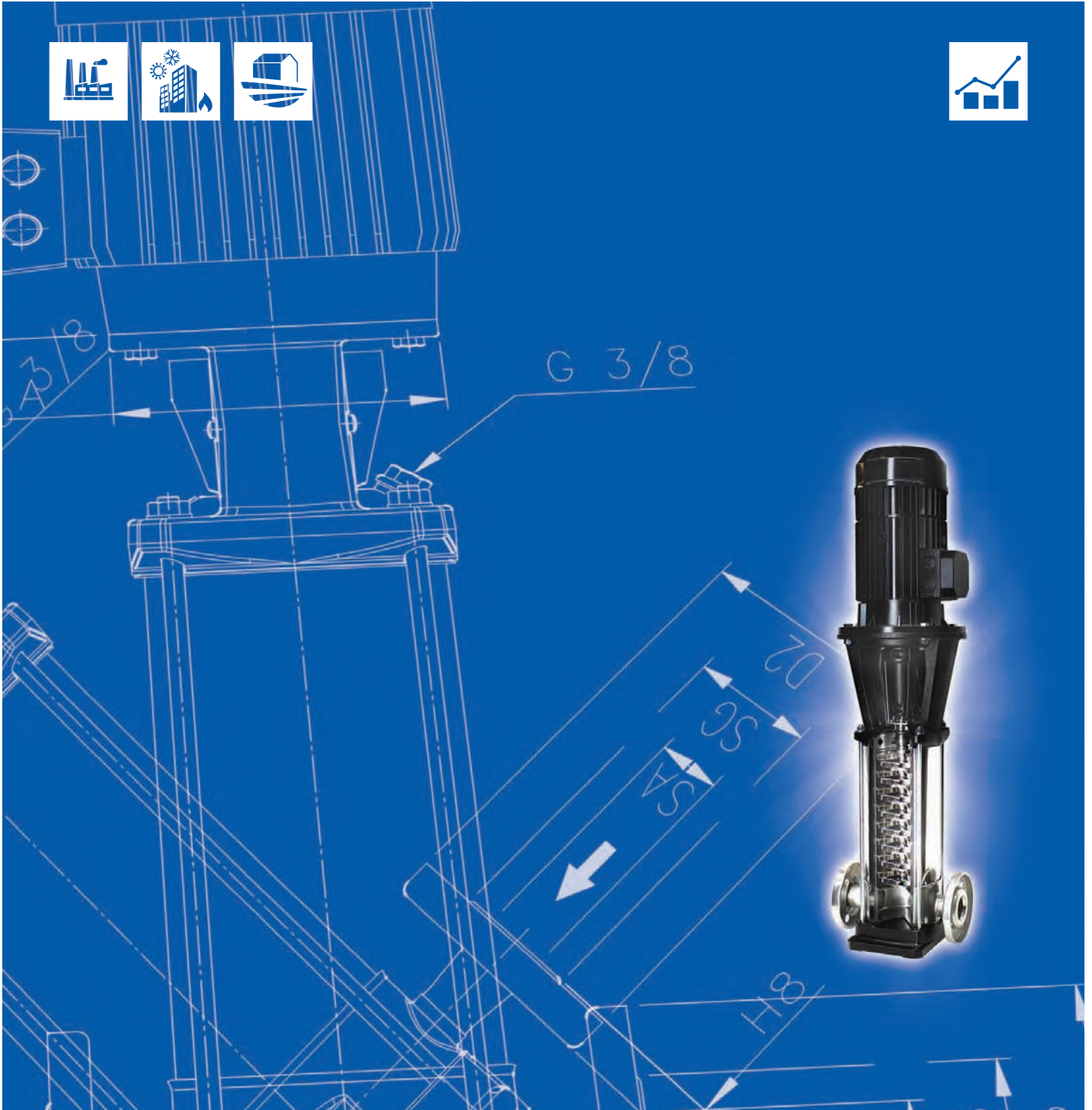




EVMSU Series
Vertical Multistage Pumps

Data Book 60Hz



EVMSU Series

Stainless Steel Vertical Multistage Pump

CONTENTS

SECTION	PAGE
FEATURES	3
TYPICAL APPLICATIONS	4
MODEL DESIGNATION	5
PRODUCT SPECIFICATIONS	
EVMSU(L)1 - EVMSU(L)20	6
EVMSU(L)N 3, 5, 10	7
EVMSU(G)(L)32 - EVMSU(G)(L)90	8
SHAFT SEAL	
EVMSU(L)1 - EVMSU(L)20	9
EVMSU(L)N 3,5,10	10
EVMSU(G)(L)32 - EVMSU(G)(L)90	11
TECHNICAL DATA – DIMENSIONS	
EVMSU(L)1 - EVMSU(L)20	12
EVMSU(L)N 3, 5, 10	20
EVMSU(G)(L)32 - EVMSU(G)(L)90	25
MOTOR DIMENSIONS	
EVMSU(L)1, 3	18
EVMSU(L)5, 10, 15, 20	19
EVMSU(L)N3, 5	23
EVMSU(L)N10	24
EVMSU(G)(L)32 - EVMSU(G)(L)90	29
PERFORMANCE CURVES	



SECTIONAL VIEW AND PARTS REFERENCE



Illinois Location:

(847) 841-7867

860 Church Rd Elgin, IL 60123

Minnesota Location:

(651) 758-7867

330 Mill Bay South Suite 1511 Afton, MN 55001

PumpSupplyInc.com



Certified to NSF/ANSI/CAN 61 & 372

***Note:** Model EVMSU with seal code "S" is Certified
Low NPSH models and models with optional seal types are not certified.

All specifications subject to change without notice.



EBARA

www.pumpsebara.com

IL - (847) 841-7867

PumpSupplyInc.com

MN - (651) 758-7867

EVMSU Series

Stainless Steel Vertical Multistage Pump

FEATURES



EVMSU(L)1-20, EVMSU(L)N 3, 5, 10 and EVMSU(G)(L)32-90

- Standard NEMA motor sizes
- Low axial thrust impeller enables long motor bearing life
- EVMSU(L)N Models feature 1st stage improvements that significantly reduce NPSH required
- Air vent in casing cover allows proper venting preventing air entrapment and dry run
- Fill port in casing cover allows for water fill, as well as installation of sensors, gauges, and other measuring devices
- Liner ring is a self-aligning, floating design constructed to prevent swelling at high temperatures
- Tungsten carbide lower pump bearings and sleeves are standard construction for all services, providing maximum operating life
- Direct drive pump and motor shafts are keyed for positive, reliable power transmission with no adjustments necessary
- “Flexible” floating outer casing allows for thermal expansion in hot water applications, preventing deformation due to pressure fluctuations
- An innovative spline shaft design reduces wear on the impellers and prolongs the life of the pump
- Dimensions & flanges – installation is to market accepted dimensions for easy upgrade of existing installations
- Piping connection options include Fixed ANSI compatible flange, Oval flange, Loose ANSI compatible flange, and victaulic connections
- EVMSU Mechanical seal – Silicon Carbide/Carbon/Viton mechanical shaft seal. Cartridge mechanical seal design enables replacement without disassembling the motor bracket
- EVMSUN Mechanical seal – Silicon Carbide/Silicon Carbide with Carbon Graphite/EPDM mechanical shaft seal. Cartridge mechanical seal design enables replacement without disassembling the motor bracket

Illinois Location:
 (847) 841-7867
 860 Church Rd Elgin, IL 60123

Minnesota Location:
 (651) 758-7867
 330 Mill Bay South Suite 1511
 Afton, MN 55001

PumpSupplyInc.com

 A map showing the outlines of Illinois and Minnesota. A star is placed in Illinois and another star is placed in Minnesota. Below the map is the Pump Supply Incorporated logo, which consists of a blue triangle with 'PS' inside and the text 'PUMP SUPPLY INCORPORATED' to its right.



EBARA

www.pumpsebara.com

IL - (847) 841-7867

PumpSupplyInc.com




MN - (651) 758-7867

EVMSU Series

Stainless Steel Vertical Multistage Pump

TYPICAL APPLICATIONS



INDUSTRY	BUILDING SERVICE	WATER SUPPLY
		
<ul style="list-style-type: none"> • Water treatment reverse osmosis ultra-filtration water purification micro-filtration softening, ionizing and demineralising systems swimming pools separators • Boiler feed steam systems condensate systems • Wash and clean vehicle washing systems industrial part washing laundry systems supply of liquids with acids and bases supply of chemical liquids • Chilling handling of refrigerants for cooling thermal control systems industrial cooling laser cooling • Machine tool cooling lubricant supply for machine tools • Pressure boosting pressure boosting for industrial use • Food & beverage food washing systems bottle wash systems • Pharmaceutical industries • Marine applications freshwater, deckwash, high fog and fire fighting on ships 	<ul style="list-style-type: none"> • Pressure boosting pressure boosting for buildings pressure boosting for high rise buildings/hotels • Sprinkler systems • Fire fighting systems jockey pump • District heating • Heat exchangers / fan heaters • Air conditioning systems • Heating systems 	<ul style="list-style-type: none"> • Water treatment water treatment plants filtration water treatment plants transfer • Pressure boosting transfer from water treatment plants (mains) • Irrigation golf course / sport fields irrigation • Agriculture sprinkler irrigation drip irrigation

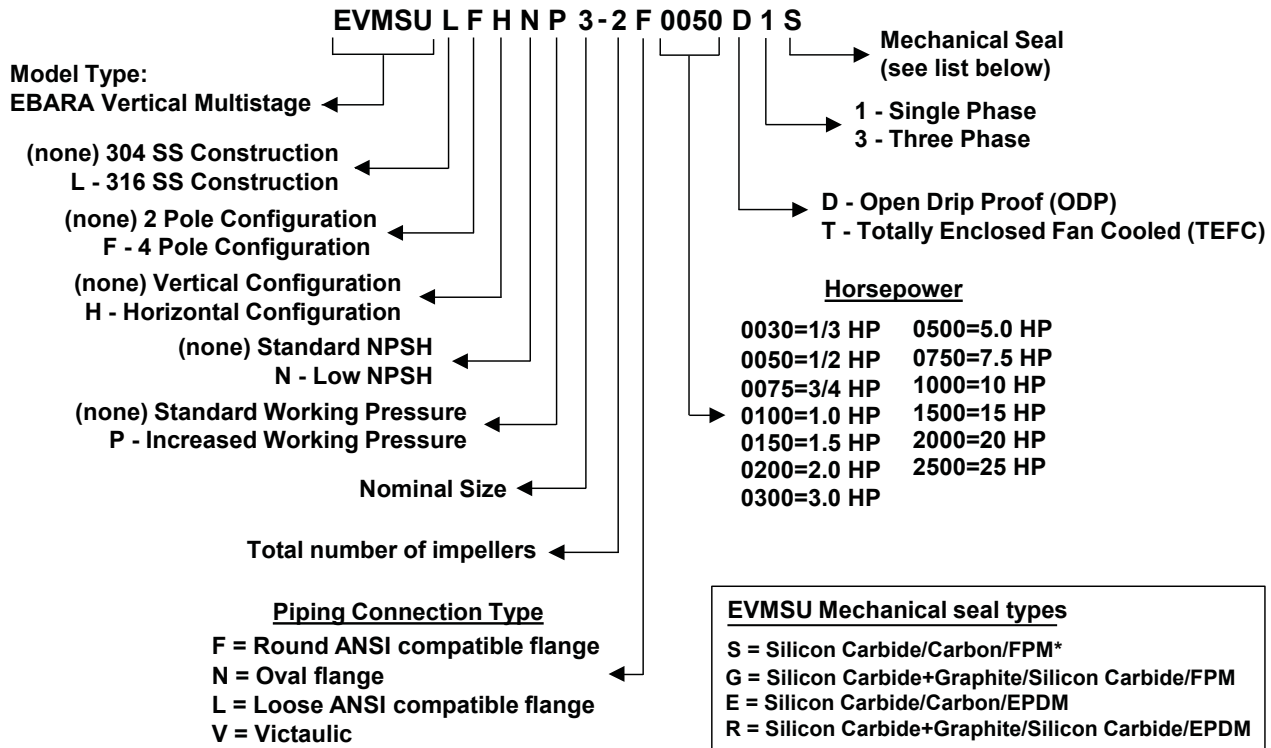
EVMSU Series

Stainless Steel Vertical Multistage Pump

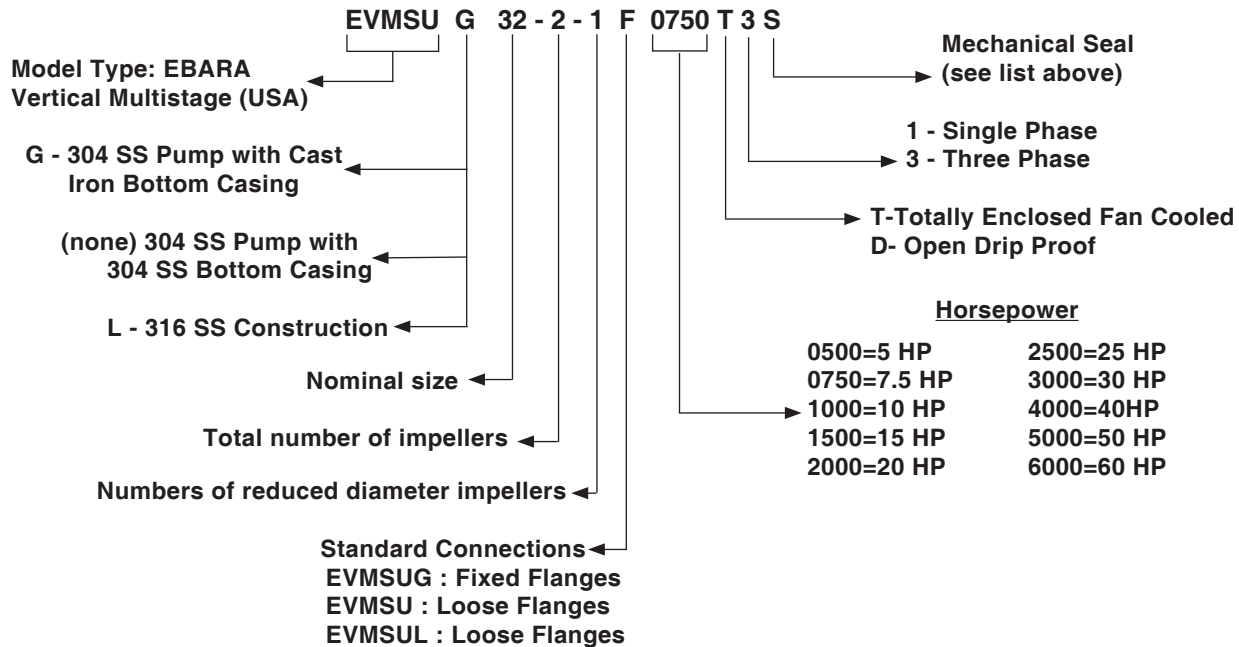


MODEL DESIGNATION

Models EVMSU 1, 3, 5, 10, 15, 20
EVMSUL 1, 3, 5, 10, 15, 20



Models EVMSUG 32, 45, 64, 90
EVMSU(L) 32, 45, 64, 90



EVMSU Series

Stainless Steel Vertical Multistage Pump

PRODUCT SPECIFICATIONS

EVMSU(L) 1, 3, 5, 10, 15, 20



PUMP															
Version			EVMSU						EVMSUL						
Performance range	Nominal size		1	3	5	10	15	20	1	3	5	10	15	20	
	Motor Power		1/2 to 25 HP												
	Capacity		2.9 to 132.1 gpm												
	Total Head		24.3 to 860 ft												
Liquid Handling	Type of liquid		Clean water (for other clean liquids, consult factory)												
	Maximum working pressure		230 / 375 PSI (depending on model)												
	Liquid temperature range		-22°F to 248°F (-30°C to 120°C)												
Size	Suction		1 1/4"			2"			1 1/4"			2"			
	Discharge		1 1/4"			2"			1 1/4"			2"			
Key Component Materials	Impeller		AISI 304 (EN 1.4301)						AISI 316 (EN 1.4401)						
	Intermediate casing		AISI 304 (EN 1.4301)						AISI 316 (EN 1.4401)						
	Liner ring		AISI 304 (EN 1.4301) + PPS						AISI 316 (EN 1.4401) + PPS						
	Bottom casing		AISI 304 (EN 1.4301)						AISI 316 (EN 1.4401)						
	Casing cover		AISI 304 (EN 1.4301)						AISI 316 (EN 1.4401)						
	Shaft	AISI 304 (EN 1.4301)		EVMSU 1-3-5, EVMSU 10-15-20 (depending on model)											
		AISI 316L (EN 1.4404)		EVMSUL 1-3-5, EVMSUL 10-15-20 (depending on model)											
		AISI 329A (EN 1.4462)		EVMSU / EVMSUL 5-15-20 (depending on model)											
	Shaft sleeve bearing		Tungsten carbide												
	Shaft Seal	SiC/Carbon/FPM		●	●	●	●	●	●	●	●	●	●	●	●
		SiC+Graphite/SiC/FPM		○	○	○	○	○	○	○	○	○	○	○	○
		SiC/Carbon/EPDM		○	○	○	○	○	○	○	○	○	○	○	○
		SiC+Graphite/SiC/EPDM		○	○	○	○	○	○	○	○	○	○	○	○
	O-ring	FPM		●	●	●	●	●	●	●	●	●	●	●	●
EPDM			○	○	○	○	○	○	○	○	○	○	○	○	
Outer casing		AISI 304 (EN 1.4301)						AISI 316L (EN 1.4404)							
Motor bracket		Cast Iron													
Tie rod		AISI 431 (EN 1.4057)													
Coupling	up to 5 HP		Die cast aluminium												
	from 7 1/2 HP		Cast Iron												
Base		Die cast aluminium													
Pipe connection	Oval flange	up to 230 PSI	○	○	○	○	○	○	○	○	○	○	○	○	
	Round flange (ANSI compatible raised face)	up to 230 PSI	●	●	●	●	●	●	●	●	●	●	●	●	
		from 230 PSI to 375 PSI	●	●	●	●	●	●	●	●	●	●	●	●	
	Loose round flange (ANSI compatible raised face)	up to 230 PSI	○	○	○	○	○	○	○	○	○	○	○	○	
		from 230 PSI to 375 PSI	○	○	○	○	○	○	○	○	○	○	○	○	
Victaulic	up to 230/375 PSI	○	○	○	○	○	○	○	○	○	○	○	○		
Motor	Type		NEMA C/TC/TSC frame, TEFC or ODP enclosure												
	Speed		2-or 4-pole, 60 Hz, 3500 or 1750 rpm nominal speed												
	Power Requirements		3 Phase, 230/460V or 208-230/460V - Single Phase, 115/230V												
	Direction of Rotation		Clockwise when viewed from motor end												
	Motor Options		Consult factory for optional motor types												

Legend: ● Standard ○ Options



EBARA

www.pumpsebara.com

EVMSU Series

Stainless Steel Vertical Multistage Pump

PRODUCT SPECIFICATIONS

EVMSU(L)N 3, 5, 10



PUMP								
Version		EVMSUN			EVMSULN			
Performance range	Nominal size	3	5	10	3	5	10	
	Motor Power	3/4 to 15 HP						
	Capacity	6.6 to 79.26 US gpm						
	Total Head	54 to 815 ft						
Liquid Handling	Type of liquid	Clean water (<i>for other clean liquids, consult factory</i>)						
	Maximum working pressure	360 psi						
	Liquid temperature range	-22°F to 284°F (-30°C to 140°C)						
Pipe Connection	Suction size	1 1/4"	2"	1 1/4"	2"			
	Discharge size	1 1/4"	2"	1 1/4"	2"			
	Flange type	Round flange (ANSI compatible raised face)						
Key Component Materials	Impeller	AISI 304 (EN 1.4301)			AISI 316 (EN 1.4401)			
	Intermediate casing	AISI 304 (EN 1.4301)			AISI 316 (EN 1.4401)			
	Liner ring	AISI 304 (EN 1.4301) + PPS			AISI 316 (EN 1.4401) + PPS			
	Bottom casing	AISI 304 (EN 1.4301)			AISI 316 (EN 1.4401)			
	Casing cover	AISI 304 (EN 1.4301)			AISI 316 (EN 1.4401)			
	Shaft	AISI 304 (EN 1.4301)	EVMSUN 3-5-10 (depending on model)					
		AISI 316L (EN 1.4404)	EVMSULN 3-5-10 (depending on model)					
		AISI 329A (EN 1.4462)	EVMSUN / EVMSULN 5 (depending on model)					
	Shaft sleeve bearing	Tungsten carbide						
	Shaft Seal	SiC+Graphite/SiC/EPDM						
	O-ring	EPDM						
	Outer casing	AISI 304 (EN 1.4301)			AISI 316L (EN 1.4404)			
	Motor bracket	Cast Iron						
	Tie rod	AISI 431 (EN 1.4057)						
	Coupling	up to 3 HP	Die cast aluminium					
from 5 HP		Cast Iron						
Base	Die cast aluminium							
Motor	Type	NEMA C/TC/TSC frame, TEFC or ODP enclosure						
	Speed	2-pole, 60 Hz, 3500 rpm nominal speed						
	Power Requirements	3 Phase, 230/460V or 208-230/460V - Single Phase, 115/230V						
	Direction of Rotation	Clockwise when viewed from motor end						
	Motor Options	<i>Consult factory for optional motor types</i>						



EVMSU Series

Stainless Steel Vertical Multistage Pump

PRODUCT SPECIFICATIONS

EVMSU(G)(L) 32-90



		PUMP													
		EVMSUG				EVMSU				EVMSUL					
		32	45	64	90	32	45	64	90	32	45	64	90		
Performance Range	Nominal size														
	Motor Power	5 to 60 HP													
	Capacity	79.3 to 607 US gpm													
	Total Head	20.7 to 918.7 ft													
Liquid Handling	Type of liquid	Clean water (for other clean liquids, consult factory)													
	Maximum working pressure	230 / 360 / 435 psi (depending on model)													
	Liquid temperature range	-22°F to 248°F (-30°C to 120°C)													
Size	Suction	2 1/2"	3"	4"	4"	2 1/2"	3"	4"	4"	2 1/2"	3"	4"	4"		
	Discharge	2 1/2"	3"	4"	4"	2 1/2"	3"	4"	4"	2 1/2"	3"	4"	4"		
Key Component Materials	1	Impeller	EN 1.4301 (AISI 304)								EN 1.4404 (AISI 316L)				
	2	Intermediate casing	EN 1.4301 (AISI 304)								EN 1.4404 (AISI 316L)				
	3	Liner ring	EN 1.4301 (AISI 304) + PPS								EN 1.4404 (AISI 316L) + PPS				
	4	Bottom casing	EVMSU(G)32	Cast Iron EN GJL-250 EN 1561				EN 1.4308 (ASTM CF8)				EN 1.4408 (ASTM CF8M)			
			EVMSU(G)45-64-90 230 psi	Cast Iron EN GJS 400-15 EN 1563											
			EVMSU(G)45-64-90 230+ psi												
	5	Casing cover	EN 1.4301 (AISI 304)								EN 1.4404 (AISI 316L)				
	6	Shaft	AISI 304 (EN 1.4301)								AISI 316L (EN 1.4404) (Depending on model)				
											AISI 329A (EN 1.4462) (Depending on model)				
	7	Shaft sleeve bearing	Tungsten carbide												
	8	Shaft Seal	SiC/Carbon/FPM	●	●	●	●	●	●	●	●	●	●	●	
			SiC+Graphite/SiC/FPM	○	○	○	○	○	○	○	○	○	○	○	
			SiC+Graphite/SiC/EPDM	○	○	○	○	○	○	○	○	○	○	○	
	9	O-ring	FPM	●	●	●	●	●	●	●	●	●	●		
EPDM			○	○	○	○	○	○	○	○	○	○			
10	Outer casing	EN 1.4301 (AISI 304)								EN 1.4404 (AISI 316L)					
11	Motor Bracket	Cast Iron EN GJS 400-15 EN 1563													
12	Tie rod	EN 1.4057 (AISI 431)													
13	Coupling	up to 5 HP	Die cast Aluminium EN AB-AISI11 Cu2 (Fe)												
		from 7 1/2 to 40 HP	Cast Iron EN GJL250 EN 1561												
		50 HP and larger	Carbon Steel												
14	Base											Cast Iron EN GJL200 EN 1561			
Pipe connection	Round flange (ANSI compatible raised face)	●	●	●	●										
	Loose round flange (ANSI compatible raised face)					●	●	●	●	●	●	●	●		
Motor	Type	NEMA C/TC/TSC frame, TEFC or ODP enclosure													
	Speed	2-pole, 60 Hz, 3500/3550 rpm nominal speed													
	Power Requirements	3 Phase, 230/460V or 208-230/460V - Single Phase, 115/230V													
	Direction of Rotation	Clockwise when viewed from motor end													
	Motor Options	Consult factory for optional motor types													

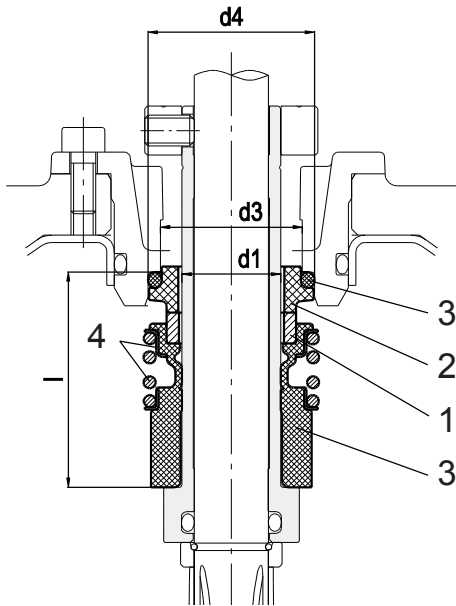
● Standard ○ Optional

EVMSU Series

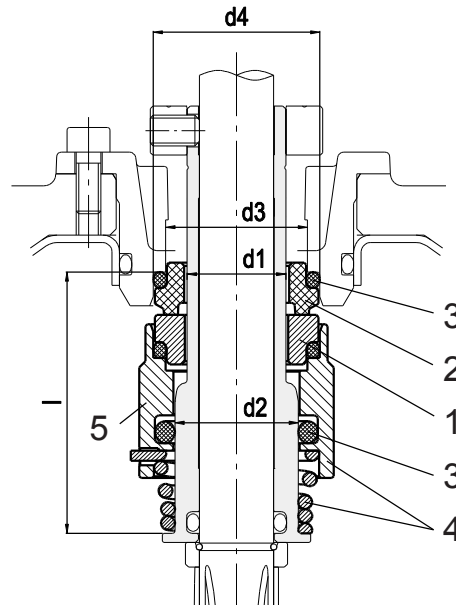
Stainless Steel Vertical Multistage Pump

SHAFT SEAL

EVMSU(L) 1, 3, 5, 10, 15, 20



up to 230 PSI
Cartridge Unbalanced type



from 230 to 375 PSI
Cartridge Balanced type

Pump Model	Operating temperature range	Shaft seal type		Shaft seal material					Type Key
		Cartridge		1	2	3	4	5	
		Unbalanced	Balanced	Rotating Part	Stationary Part	Elastomers	Compression spring	Collar	
230 PSI	-22°F to + 248°F	○		SiC	Carbon	EPDM	AISI 316		E
	-22°F to + 248°F	●		SiC	Carbon	FPM	AISI 316		S
375 PSI	-22°F to + 248°F		○	SiC	Carbon	EPDM	AISI 316		E
	-22°F to + 248°F		●	SiC	Carbon	FPM	AISI 316		S
	-22°F to + 248°F		○	SiC with graphite	SiC	EPDM	AISI 316		R
	-22°F to + 248°F		○	SiC with graphite	SiC	FPM	AISI 316		G

*Operation above 248°F is possible under certain conditions. Consult factory for details.

NOTE: Refer to selection tables in the EVMSU Curves documentation by scanning this QR Code.



Legend: ● Standard ○ Options

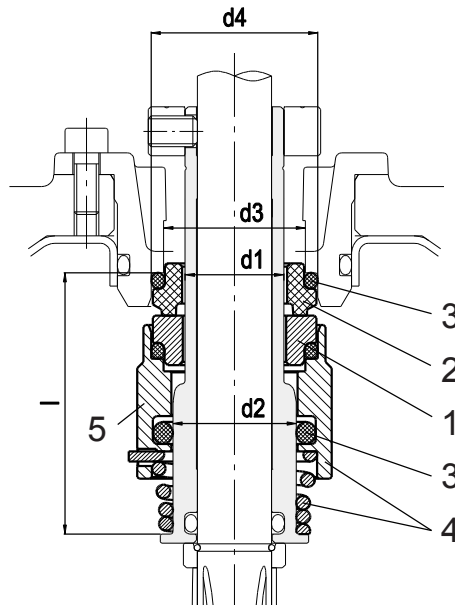
Pump model	Shaft seal type		Max operating pressure	d1 [in]	d2 [in]	d3 [in]	d4 [in]	l [in]
EVMSU(L) 1/3/5	Cartridge	Unbalanced	230 PSI	0.630	-	0.906	1.063	1.378
		Balanced	375 PSI		0.787			1.673
EVMSU(L) 10/15/20	Cartridge	Unbalanced	230 PSI	0.787	-	1.142	1.378	1.476
		Balanced	375 PSI		0.945			1.772

Dimensions conform to standard EN12756

EVMSU Series

Stainless Steel Vertical Multistage Pump

SHAFT SEAL
EVMSU(L)N 3, 5, 10



from 230 to 360 PSI
Cartridge Balanced type

Max working pressure	Operating temperature range	Mechanical seal type	Mechanical seal materials					Type key
			1 Rotating Part	2 Stationary Part	3 Elastomers	4 Compression spring	5 Collar	
360 psi	- 22°F to + 284°F	Balanced	SiC with Graphite	SiC	EPDM	AISI 316		R

Pump model	Mechanical seal type		Max working pressure	d1 [in]	d2 [in]	d3 [in]	d4 [in]	l [in]
EVMSU(L)N 3/5	Cartridge	Balanced	360 psi	0.630	0.787	0.906	1.063	1.673
EVMSU(L)N 10				0.787	0.945	1.142	1.378	1.772

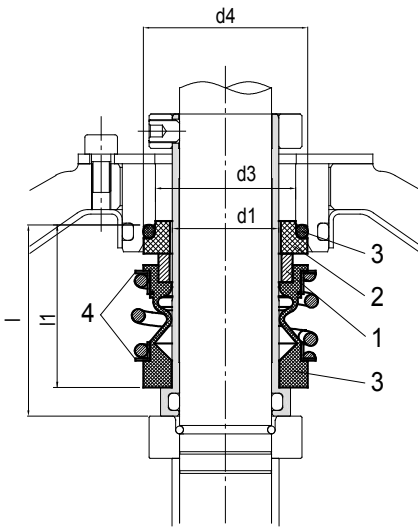
Dimensions conform to standard EN12756

EVMSU Series

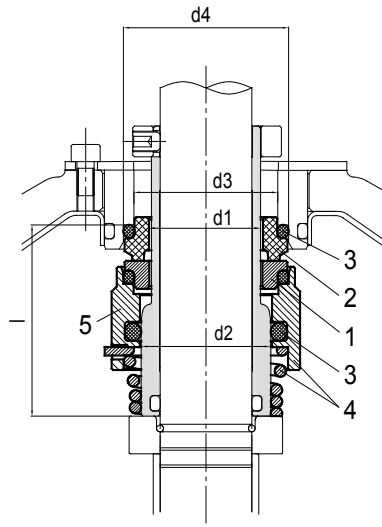
Stainless Steel Vertical Multistage Pump

SHAFT SEAL

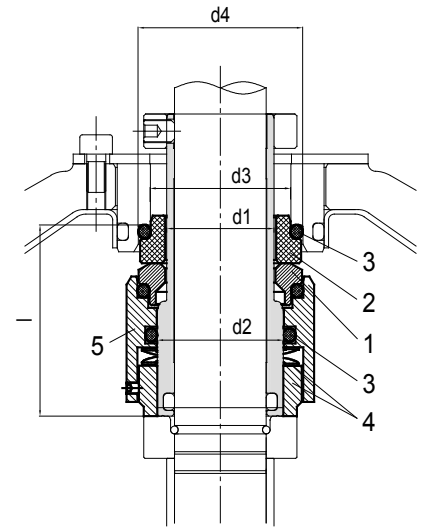
EVMSU(G)(L) 32, 45, 64, 90



up to 230 PSI
Cartridge Unbalanced type



from 230 to 360 PSI
Cartridge Balanced type



from 230 to 435 PSI
Cartridge Balanced type

Pump max. working pressure	Operating temperature range	Mechanical seal type		Mechanical seal materials					Type key
		Cartridge		1	2	3	4	5	
		Unbalanced	Balanced	Rotating part	Stationary part	Elastomers	Compression spring	Collar	
230 psi	- 22°F to + 248°F	●		Carbon	SiC	FPM	AISI 316		S
360 psi/ 435 psi	- 22°F to + 248°F		●	SiC	Carbon	FPM	AISI 316		S
	- 22°F to + 248°F		○	SiC with graphite	SiC	EPDM	AISI 316		R

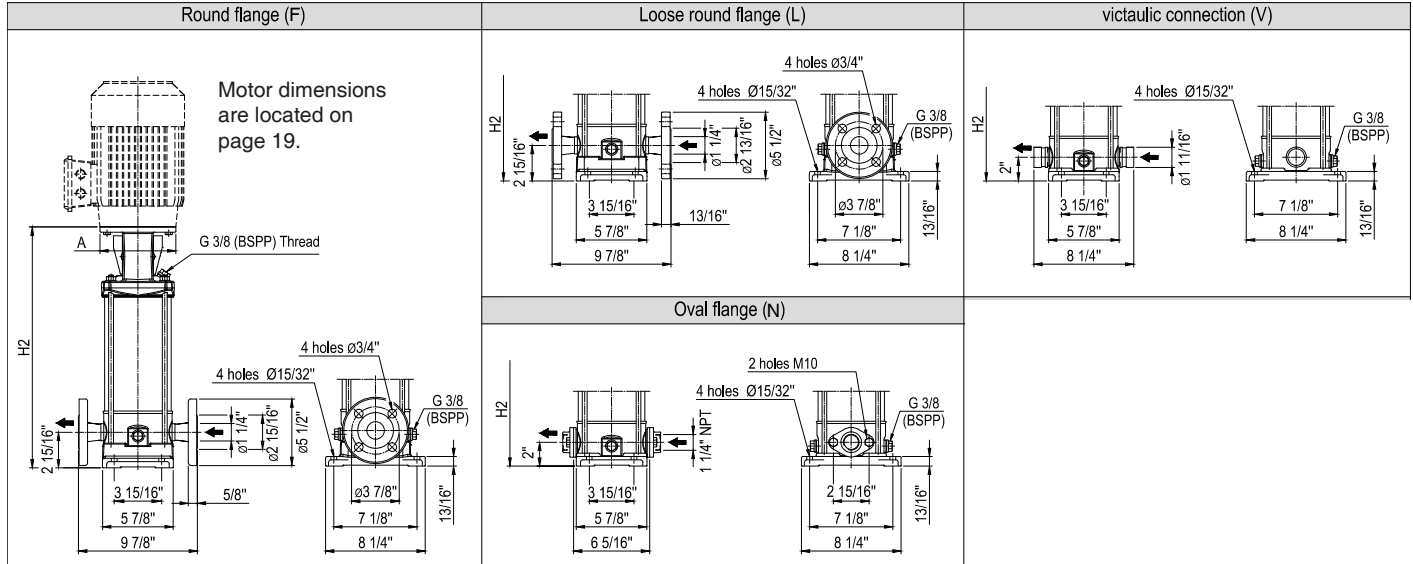
Legend: ● Standard ○ Options

Pump model	Mechanical seal type	Max working pressure	d1 [in]	d2 [in]	d3 [in]	d4 [in]	l [in]	l1 [in]
EVMSU(G)(L) 32/45/64/90	Cartridge	Unbalanced	230 psi	-	1.457	1.693	1.969	1.673
		Balanced	360 psi	1.102				-
			435 psi		1.299			

EVMSU Series

Stainless Steel Vertical Multistage Pump

TECHNICAL DATA EVMSU(L)1 DIMENSIONS



EVMSU(L)1	Pump Model	Pmax [psij]	Motor Frame						Round flange (F) Loose round flange (LF)				Oval flange (N)				victaulic connection (V)			
			TEFC			ODP			TEFC		ODP		TEFC		ODP		TEFC		ODP	
			HP	NEMA Frame	A	HP	NEMA Frame	A	H2	Pump Weight	H2	Pump Weight	H2	Pump Weight	H2	Pump Weight	H2	Pump Weight	H2	Pump Weight
EVMSU(L)1-2	230	0.5	56C	6 5/8"	0.5	56C	6 5/8"	11 7/8"	25.1 lb	11 7/8"	25.1 lb	10 7/8"	23.6 lb	10 7/8"	23.6 lb	10 7/8"	23.6 lb	10 7/8"	23.6 lb	
EVMSU(L)1-3	230	0.5	56C	6 5/8"	0.5	56C	6 5/8"	12 11/16"	26.2 lb	12 11/16"	26.2 lb	11 11/16"	24.7 lb	11 11/16"	24.7 lb	11 3/4"	24.4 lb	11 3/4"	24.4 lb	
EVMSU(L)1-4	230	0.5	56C	6 5/8"	0.5	56C	6 5/8"	13 9/16"	27.1 lb	13 9/16"	27.1 lb	12 9/16"	25.5 lb	12 9/16"	25.5 lb	12 9/16"	25.3 lb	12 9/16"	25.3 lb	
EVMSU(L)1-5	230	0.5	56C	6 5/8"	0.5	56C	6 5/8"	14 3/8"	28.0 lb	14 3/8"	28.0 lb	13 3/8"	26.7 lb	13 3/8"	26.7 lb	13 3/8"	26.4 lb	13 3/8"	26.4 lb	
EVMSU(L)1-6	230	0.75	56C	6 5/8"	0.75	56C	6 5/8"	15 3/16"	28.9 lb	15 3/16"	28.9 lb	14 3/16"	27.5 lb	14 3/16"	27.5 lb	14 3/16"	27.3 lb	14 3/16"	27.3 lb	
EVMSU(L)1-7	230	0.75	56C	6 5/8"	0.75	56C	6 5/8"	16"	30.4 lb	16"	30.4 lb	15"	29.1 lb	15"	29.1 lb	15"	28.9 lb	15"	28.9 lb	
EVMSU(L)1-8	230	1	56C	6 5/8"	1	56C	6 5/8"	16 13/16"	31.2 lb	16 13/16"	31.2 lb	15 13/16"	29.6 lb	15 13/16"	29.6 lb	15 7/8"	29.4 lb	15 7/8"	29.4 lb	
EVMSU(L)1-9	230	1	56C	6 5/8"	1	56C	6 5/8"	17 11/16"	32.0 lb	17 11/16"	32.0 lb	16 11/16"	30.5 lb	16 11/16"	30.5 lb	16 11/16"	30.5 lb	16 11/16"	30.5 lb	
EVMSU(L)1-10	230	1	56C	6 5/8"	1	56C	6 5/8"	18 1/2"	32.9 lb	18 1/2"	32.9 lb	17 1/2"	31.6 lb	17 1/2"	31.6 lb	17 1/2"	31.4 lb	17 1/2"	31.4 lb	
EVMSU(L)1-11	230	1.5	56C	6 5/8"	1.5	56C	6 5/8"	19 5/16"	34.0 lb	19 5/16"	34.0 lb	18 5/16"	32.5 lb	18 5/16"	32.5 lb	18 5/16"	32.3 lb	18 5/16"	32.3 lb	
EVMSU(L)1-12	230	1.5	56C	6 5/8"	1.5	56C	6 5/8"	20 1/8"	34.9 lb	20 1/8"	34.9 lb	19 1/8"	33.4 lb	19 1/8"	33.4 lb	19 3/16"	33.4 lb	19 3/16"	33.4 lb	
EVMSU(L)1-13	230	1.5	56C	6 5/8"	1.5	56C	6 5/8"	21"	36.4 lb	21"	36.4 lb	20"	34.9 lb	20"	34.9 lb	20"	34.9 lb	20"	34.9 lb	
EVMSU(L)1-14	230	1.5	56C	6 5/8"	1.5	56C	6 5/8"	21 13/16"	37.3 lb	21 13/16"	37.3 lb	20 13/16"	35.8 lb	20 13/16"	35.8 lb	20 13/16"	35.8 lb	20 13/16"	35.8 lb	
EVMSU(L)1-16	230	2	56C	6 5/8"	2	56C	6 5/8"	23 7/16"	39.2 lb	23 7/16"	39.2 lb	22 7/16"	37.7 lb	22 7/16"	37.7 lb	22 7/16"	37.7 lb	22 7/16"	37.7 lb	
EVMSU(L)1-18	230	2	56C	6 5/8"	2	56C	6 5/8"	25 1/8"	41.2 lb	25 1/8"	41.2 lb	24 1/8"	39.7 lb	24 1/8"	39.7 lb	24 1/8"	39.7 lb	24 1/8"	39.7 lb	
EVMSU(L)1-20	375	2	56C	6 5/8"	2	56C	6 5/8"	26 3/4"	43.2 lb	26 3/4"	43.2 lb	-	-	-	-	25 3/4"	41.7 lb	25 3/4"	41.7 lb	
EVMSU(L)1-22	375	3	145TC	6 5/8"	3	145TC	6 5/8"	31 15/16"	46.3 lb	31 15/16"	46.3 lb	-	-	-	-	30 15/16"	44.7 lb	30 15/16"	44.7 lb	
EVMSU(L)1-24	375	3	145TC	6 5/8"	3	145TC	6 5/8"	33 9/16"	48.5 lb	33 9/16"	48.5 lb	-	-	-	-	32 9/16"	46.9 lb	32 9/16"	46.9 lb	
EVMSU(L)1-26	375	3	145TC	6 5/8"	3	145TC	6 5/8"	35 1/4"	50.5 lb	35 1/4"	50.5 lb	-	-	-	-	34 1/4"	48.9 lb	34 1/4"	48.9 lb	
EVMSU(L)1-27	375	3	145TC	6 5/8"	3	145TC	6 5/8"	36 1/16"	51.6 lb	36 1/16"	51.6 lb	-	-	-	-	35 1/16"	50.0 lb	35 1/16"	50.0 lb	
EVMSU(L)1-29	375	3	145TC	6 5/8"	3	145TC	6 5/8"	37 11/16"	53.6 lb	37 11/16"	53.6 lb	-	-	-	-	36 11/16"	52.0 lb	36 11/16"	52.0 lb	

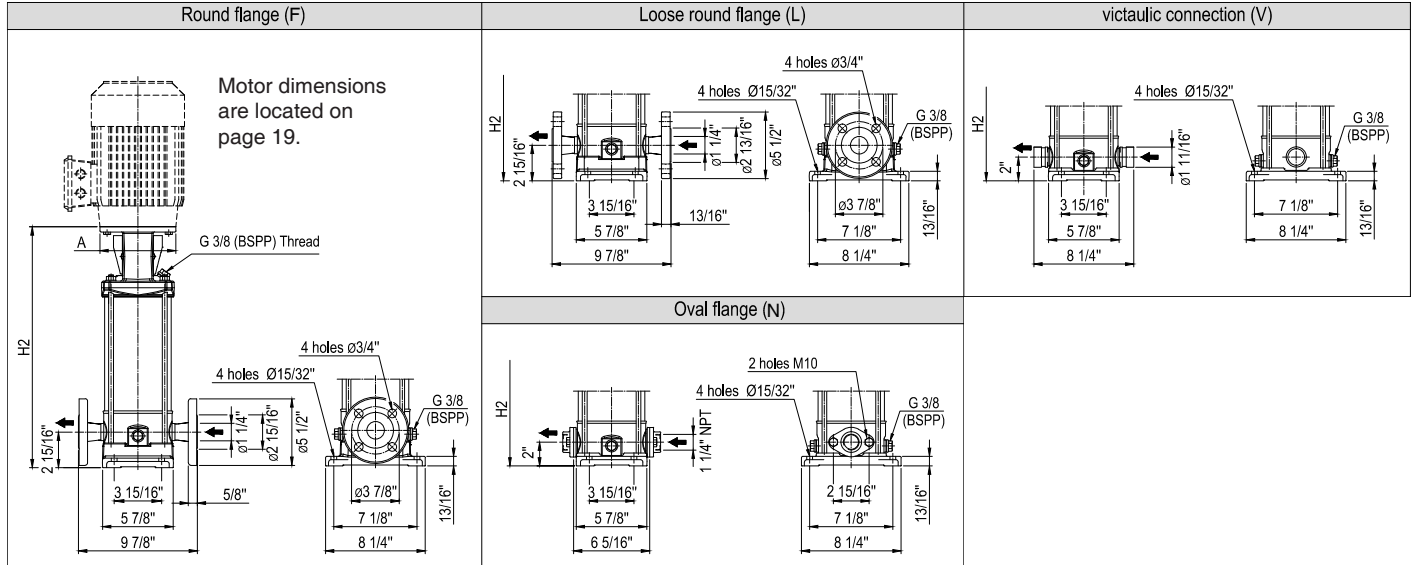
Model also available in 182TC/184TC frame (Flange rating: ANSI 300LB)



EVMSU Series

Stainless Steel Vertical Multistage Pump

TECHNICAL DATA EVMSU(L)3 DIMENSIONS



EVMSU(L)3 Pump Model	Pmax [psij]	Motor Frame						Round flange (F) Loose round flange (LF)				Oval flange (N)				victaulic connection (V)			
		TEFC		ODP		H2	Pump Weight	TEFC		ODP		TEFC		ODP		TEFC		ODP	
		HP	NEMA Frame	A	HP			NEMA Frame	A	H2	Pump Weight	H2	Pump Weight	H2	Pump Weight	H2	Pump Weight	H2	Pump Weight
EVMSU(L)3-2	230	0.5	56C	6 5/8"	0.5	56C	6 5/8"	11 7/8"	24.9 lb	11 7/8"	24.9 lb	10 7/8"	23.3 lb	10 7/8"	23.3 lb	10 7/8"	23.1 lb	10 7/8"	23.1 lb
EVMSU(L)3-3	230	0.75	56C	6 5/8"	0.75	56C	6 5/8"	12 11/16"	25.8 lb	12 11/16"	25.8 lb	11 11/16"	24.2 lb	11 11/16"	24.2 lb	11 11/16"	24.2 lb	11 11/16"	24.2 lb
EVMSU(L)3-4	230	1	56C	6 5/8"	1	56C	6 5/8"	13 9/16"	26.7 lb	13 9/16"	26.7 lb	12 9/16"	25.4 lb	12 9/16"	25.2 lb	12 9/16"	25.2 lb	12 9/16"	25.2 lb
EVMSU(L)3-5	230	1	56C	6 5/8"	1	56C	6 5/8"	14 3/8"	27.8 lb	14 3/8"	27.8 lb	13 3/8"	26.3 lb	13 3/8"	26.3 lb	13 3/8"	26.1 lb	13 3/8"	26.1 lb
EVMSU(L)3-6	230	1.5	56C	6 5/8"	1.5	56C	6 5/8"	15 3/16"	28.7 lb	15 3/16"	28.7 lb	14 3/16"	27.2 lb	14 3/16"	27.2 lb	14 3/16"	27.0 lb	14 3/16"	27.0 lb
EVMSU(L)3-7	230	1.5	56C	6 5/8"	1.5	56C	6 5/8"	16"	29.6 lb	16"	29.6 lb	15"	28.1 lb	15"	28.1 lb	15"	28.1 lb	15"	28.1 lb
EVMSU(L)3-8	230	2	56C	6 5/8"	2	56C	6 5/8"	16 13/16"	30.2 lb	16 13/16"	30.2 lb	15 13/16"	28.9 lb	15 13/16"	28.9 lb	15 13/16"	28.6 lb	15 13/16"	28.6 lb
EVMSU(L)3-9	230	2	56C	6 5/8"	2	56C	6 5/8"	17 11/16"	31.1 lb	17 11/16"	31.1 lb	16 11/16"	29.7 lb	16 11/16"	29.7 lb	16 11/16"	29.5 lb	16 11/16"	29.5 lb
EVMSU(L)3-10	230	2	56C	6 5/8"	2	56C	6 5/8"	18 1/2"	32.2 lb	18 1/2"	32.2 lb	17 1/2"	30.6 lb	17 1/2"	30.6 lb	17 1/2"	30.4 lb	17 1/2"	30.4 lb
EVMSU(L)3-11	230	3	145TC	6 5/8"	3	145TC	6 5/8"	19 5/16"	33.1 lb	19 5/16"	33.1 lb	18 5/16"	31.5 lb	18 5/16"	31.5 lb	18 5/16"	31.3 lb	18 5/16"	31.3 lb
EVMSU(L)3-12	230	3	145TC	6 5/8"	3	145TC	6 5/8"	20 1/8"	33.7 lb	20 1/8"	33.7 lb	19 1/8"	32.4 lb	19 1/8"	32.4 lb	19 1/8"	32.2 lb	19 1/8"	32.2 lb
EVMSU(L)3-13	230	3	145TC	6 5/8"	3	145TC	6 5/8"	21"	35.5 lb	21"	35.5 lb	20"	33.9 lb	20"	33.9 lb	20"	33.9 lb	20"	33.9 lb
EVMSU(L)3-14	230	3	145TC	6 5/8"	3	145TC	6 5/8"	21 13/16"	36.4 lb	21 13/16"	36.4 lb	20 13/16"	34.8 lb	20 13/16"	34.8 lb	20 13/16"	34.8 lb	20 13/16"	34.8 lb
EVMSU(L)3-15	230	3	184TC	9 1/16"	Consult Factory		26 1/8"	42.5 lb	Consult Factory		25 1/8"	41.2 lb	Consult Factory		25 1/8"	40.9 lb	Consult Factory		34.8 lb
EVMSU(L)3-16	375	5	184TC	9 1/16"	5	184TC	9 1/16"	26 15/16"	44.7 lb	26 15/16"	44.7 lb	-	-	-	-	25 15/16"	43.1 lb	25 15/16"	43.1 lb
EVMSU(L)3-17	375	5	184TC	9 1/16"	5	184TC	9 1/16"	27 13/16"	45.8 lb	27 13/16"	45.8 lb	-	-	-	-	26 13/16"	44.0 lb	26 13/16"	44.0 lb
EVMSU(L)3-19	375	5	184TC	9 1/16"	5	184TC	9 1/16"	29 7/16"	47.8 lb	29 7/16"	47.8 lb	-	-	-	-	28 7/16"	46.0 lb	28 7/16"	46.0 lb
EVMSU(L)3-20	375	5	184TC	9 1/16"	5	184TC	9 1/16"	30 1/4"	48.7 lb	30 1/4"	48.7 lb	-	-	-	-	29 1/4"	47.1 lb	29 1/4"	47.1 lb
EVMSU(L)3-21	375	5	184TC	9 1/16"	5	184TC	9 1/16"	31 1/16"	49.8 lb	31 1/16"	49.8 lb	-	-	-	-	30 1/16"	48.0 lb	30 1/16"	48.0 lb
EVMSU(L)3-22	375	5	184TC	9 1/16"	5	184TC	9 1/16"	31 15/16"	50.6 lb	31 15/16"	50.6 lb	-	-	-	-	30 15/16"	49.1 lb	30 15/16"	49.1 lb
EVMSU(L)3-23	375	5	184TC	9 1/16"	5	184TC	9 1/16"	32 3/4"	51.7 lb	32 3/4"	51.7 lb	-	-	-	-	31 3/4"	50.0 lb	31 3/4"	50.0 lb

Model also available in 182TC/184TC frame (Flange rating: ANSI 300LB)



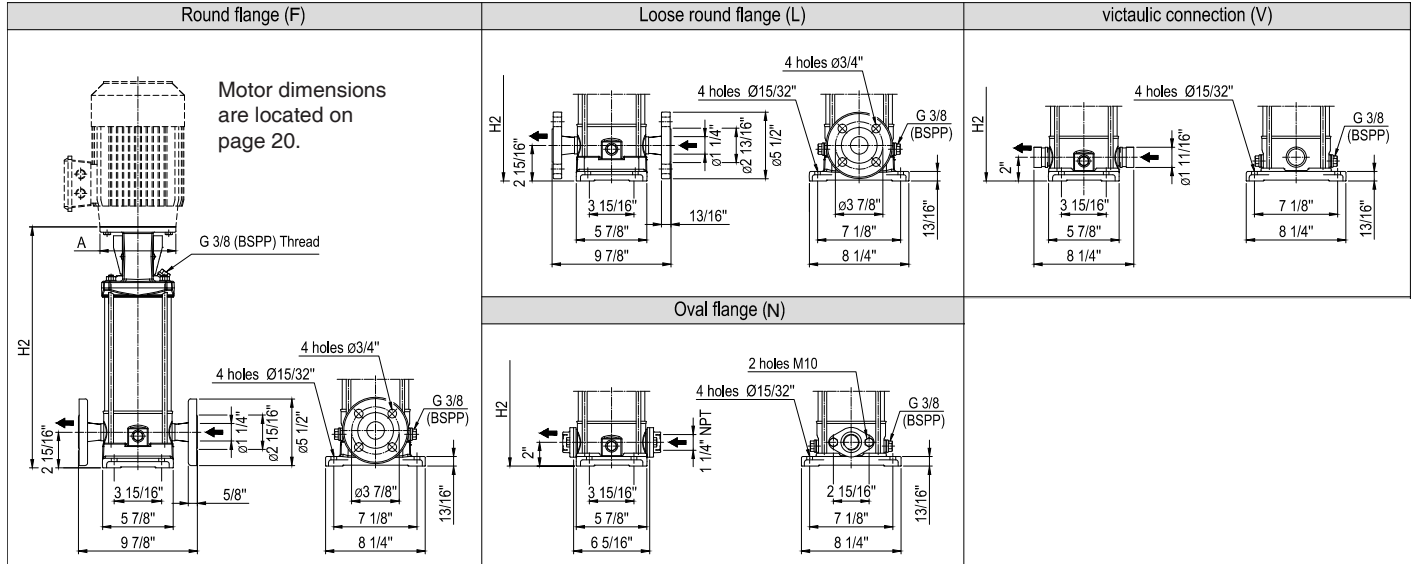
EBARA

www.pumpsebara.com

EVMSU Series

Stainless Steel Vertical Multistage Pump

TECHNICAL DATA EVMSU(L)5 DIMENSIONS



EVMSU(L)5	Pump Model	Pmax [psi]	Motor Frame						Round flange (F) Loose round flange (LF)				Oval flange (N)				victaulic connection (V)			
			TEFC		ODP		TEFC		ODP		TEFC		ODP		TEFC		ODP			
			HP	NEMA Frame	A	HP	NEMA Frame	A	H2	Pump Weight	H2	Pump Weight	H2	Pump Weight	H2	Pump Weight	H2	Pump Weight		
EVMSU(L)5-2	230	1	56C	6 5/8"	1	56C	6 5/8"	12 7/16"	25.0 lb	12 7/16"	25.0 lb	11 7/16"	22.8 lb	11 7/16"	22.6 lb	11 7/16"	22.6 lb			
EVMSU(L)5-3	230	1.5	56C	6 5/8"	1.5	56C	6 5/8"	13 9/16"	26.1 lb	13 9/16"	26.1 lb	12 9/16"	23.7 lb	12 9/16"	23.7 lb	12 9/16"	23.7 lb			
EVMSU(L)5-4	230	2	56C	6 5/8"	2	56C	6 5/8"	14 5/8"	27.3 lb	14 5/8"	27.3 lb	13 5/8"	25.1 lb	13 5/8"	25.1 lb	13 5/8"	24.9 lb			
EVMSU(L)5-5	230	3	145TC	6 5/8"	3	145TC	6 5/8"	15 3/4"	28.4 lb	15 3/4"	28.4 lb	14 3/4"	26.0 lb	14 3/4"	26.0 lb	14 3/4"	26.0 lb			
EVMSU(L)5-6	230	3	145TC	6 5/8"	3	145TC	6 5/8"	16 13/16"	29.3 lb	16 13/16"	29.3 lb	15 13/16"	27.1 lb	15 13/16"	27.1 lb	15 13/16"	26.9 lb			
EVMSU(L)5-7	230	5	184TC	9 1/16"	5	184TC	9 1/16"	21 7/16"	36.1 lb	21 7/16"	36.1 lb	20 7/16"	33.9 lb	20 7/16"	33.9 lb	20 7/16"	33.7 lb			
EVMSU(L)5-8	230	5	184TC	9 1/16"	5	184TC	9 1/16"	22 9/16"	36.8 lb	22 9/16"	36.8 lb	21 9/16"	34.6 lb	21 9/16"	34.6 lb	21 9/16"	34.3 lb			
EVMSU(L)5-9	230	5	184TC	9 1/16"	5	184TC	9 1/16"	23 5/8"	37.9 lb	23 5/8"	37.9 lb	22 5/8"	35.4 lb	22 5/8"	35.4 lb	22 5/8"	35.4 lb			
EVMSU(L)5-10	230	5	184TC	9 1/16"	5	184TC	9 1/16"	24 3/4"	39.0 lb	24 3/4"	39.0 lb	23 3/4"	36.5 lb	23 3/4"	36.5 lb	23 3/4"	36.5 lb			
EVMSU(L)5-11	230	5	184TC	9 1/16"	5	184TC	9 1/16"	25 7/8"	40.5 lb	25 7/8"	40.5 lb	24 7/8"	38.3 lb	24 7/8"	38.3 lb	24 7/8"	38.1 lb			
EVMSU(L)5-12	375	7.5	215TC	9 1/16"				27 9/16"	51.8 lb			-	-	-	26 9/16"	49.4 lb				
EVMSU(L)5-13	375	7.5	215TC	9 1/16"				28 11/16"	56.1 lb			-	-	-	27 11/16"	53.6 lb				
EVMSU(L)5-14	375	7.5	215TC	9 1/16"				29 13/16"	57.2 lb			-	-	-	28 13/16"	54.7 lb				
EVMSU(L)5-15	375	7.5	215TC	9 1/16"	Consult Factory			30 7/8"	58.3 lb	Consult Factory			-	-	-	29 7/8"	55.8 lb	Consult Factory		
EVMSU(L)5-16	375	7.5	215TC	9 1/16"				32"	59.6 lb			-	-	-	31"	57.2 lb				
EVMSU(L)5-17	375	7.5	215TC	9 1/16"				33 1/8"	60.9 lb			-	-	-	32 1/8"	58.5 lb				
EVMSU(L)5-19	375	10	215TC	9 1/16"				35 5/16"	62.9 lb			-	-	-	34 5/16"	60.5 lb				

Model also available in 182TC/184TC frame (Flange rating: ANSI 300LB)

Illinois Location:
(847) 841-7867
860 Church Rd Elgin, IL 60123

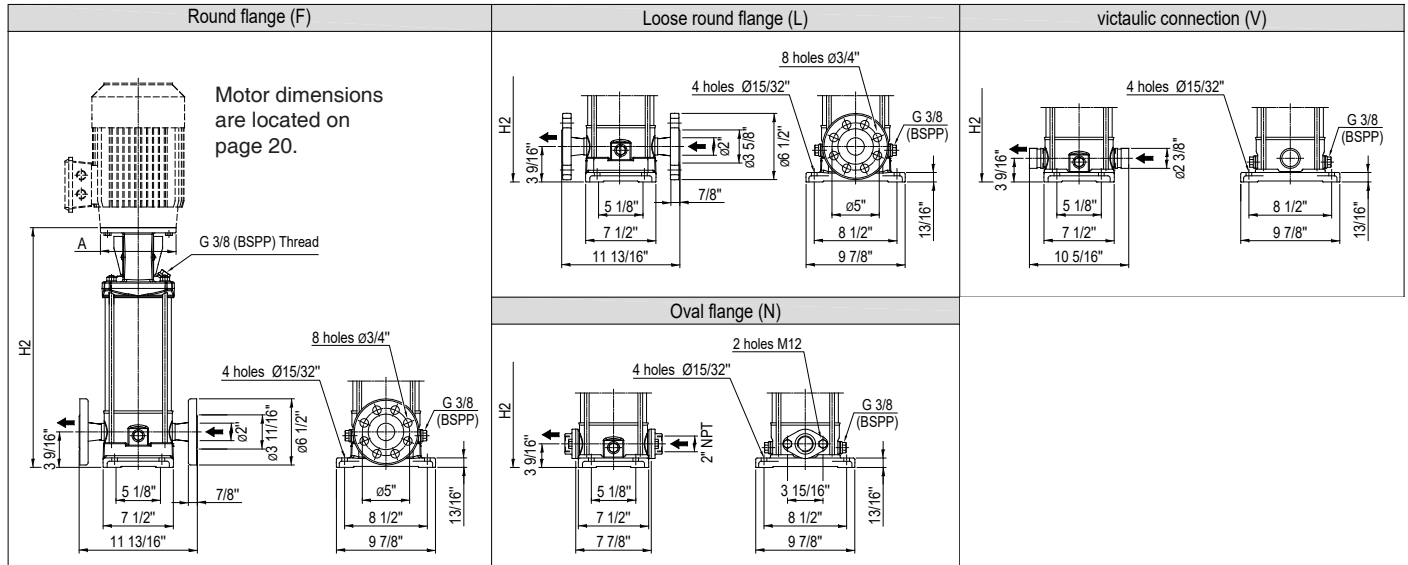
Minnesota Location:
(651) 758-7867
330 Mill Bay South Suite 1511
Afton, MN 55001

PumpSupplyInc.com

EVMSU Series

Stainless Steel Vertical Multistage Pump

TECHNICAL DATA EVMSU(L)10 DIMENSIONS



EVMSU(L)10 Pump Model	Pmax [psi]	Motor Frame						Round flange (F) Loose round flange (LF)				Oval flange (N)				victaulic connection (V)			
		TEFC			ODP			TEFC		ODP		TEFC		ODP		TEFC		ODP	
		HP	NEMA Frame	A	HP	NEMA Frame	A	H2	Pump Weight	H2	Pump Weight	H2	Pump Weight	H2	Pump Weight	H2	Pump Weight	H2	Pump Weight
EVMSU(L)10-1	230	1	56C	6 5/8"	1	56C	6 5/8"	14 3/8"	45.5 lb	14 3/8"	45.5 lb	14 3/8"	43.3 lb	14 3/8"	43.3 lb	14 3/8"	43.1 lb	14 3/8"	43.1 lb
EVMSU(L)10-2	230	2	56C	6 5/8"	2	56C	6 5/8"	14 3/8"	46.3 lb	14 3/8"	46.3 lb	14 3/8"	43.9 lb	14 3/8"	43.9 lb	14 3/8"	43.9 lb	14 3/8"	43.9 lb
EVMSU(L)10-3	230	3	145TC	6 5/8"	3	145TC	6 5/8"	15 5/8"	48.1 lb	15 5/8"	48.1 lb	15 9/16"	45.9 lb	15 9/16"	45.9 lb	15 9/16"	45.9 lb	15 9/16"	45.9 lb
EVMSU(L)10-4	230	5	184TC	9 1/16"	5	184TC	9 1/16"	21 1/16"	59.4 lb	21 1/16"	59.4 lb	21 1/16"	57.2 lb	21 1/16"	57.2 lb	21 1/16"	57.0 lb	21 1/16"	57.0 lb
EVMSU(L)10-5	230	5	184TC	9 1/16"	5	184TC	9 1/16"	22 1/4"	61.2 lb	22 1/4"	61.2 lb	22 1/4"	59.0 lb	22 1/4"	59.0 lb	22 1/4"	59.0 lb	22 1/4"	59.0 lb
EVMSU(L)10-6	230	5	184TC	9 1/16"	5	184TC	9 1/16"	23 7/16"	63.2 lb	23 7/16"	63.2 lb	23 7/16"	60.7 lb	23 7/16"	60.7 lb	23 7/16"	60.7 lb	23 7/16"	60.7 lb
EVMSU(L)10-7	230	7.5	184TC	9 1/16"	7.5	184TC	9 1/16"	24 5/8"	68.0 lb	24 5/8"	68.0 lb	24 5/8"	65.6 lb	24 5/8"	65.6 lb	24 5/8"	65.6 lb	24 5/8"	65.6 lb
EVMSU(L)10-8	230	7.5	184TC	9 1/16"	7.5	184TC	9 1/16"	25 13/16"	70.7 lb	25 13/16"	70.7 lb	25 13/16"	68.3 lb	25 13/16"	68.3 lb	25 13/16"	68.3 lb	25 13/16"	68.3 lb
EVMSU(L)10-9	230	7.5	184TC	9 1/16"	7.5	184TC	9 1/16"	27"	72.4 lb	27"	72.4 lb	27"	70.2 lb	27"	70.2 lb	27"	70.0 lb	27"	70.0 lb
EVMSU(L)10-10	230	10	215TC	9 1/16"	10	215TC	9 1/16"	28 3/16"	75.2 lb	28 3/16"	75.2 lb	28 3/16"	73.0 lb	28 3/16"	73.0 lb	28 3/16"	73.0 lb	28 3/16"	73.0 lb
EVMSU(L)10-11	375	10	215TC	9 1/16"	10	215TC	9 1/16"	29 3/8"	78.9 lb	29 3/8"	78.9 lb	-	-	-	-	29 3/8"	76.5 lb	29 3/8"	76.5 lb
EVMSU(L)10-12	375	10	215TC	9 1/16"	10	215TC	9 1/16"	30 9/16"	80.9 lb	30 9/16"	80.9 lb	-	-	-	-	30 9/16"	78.5 lb	30 9/16"	78.5 lb
EVMSU(L)10-14	375	15	215TC	9 1/16"	15	215TC	9 1/16"	32 7/8"	90.8 lb	32 7/8"	90.8 lb	-	-	-	-	32 7/8"	88.4 lb	32 7/8"	88.4 lb
EVMSU(L)10-15	375	15	215TC	9 1/16"	15	215TC	9 1/16"	34 1/16"	92.8 lb	34 1/16"	92.8 lb	-	-	-	-	34 1/16"	90.6 lb	34 1/16"	90.6 lb
EVMSU(L)10-16	375	15	215TC	9 1/16"	15	215TC	9 1/16"	35 1/4"	94.8 lb	35 1/4"	94.8 lb	-	-	-	-	35 1/4"	92.6 lb	35 1/4"	92.6 lb

Model also available in 182TC/184TC frame (Flange rating: ANSI 300LB)

Illinois Location:
(847) 841-7867
860 Church Rd Elgin, IL 60123

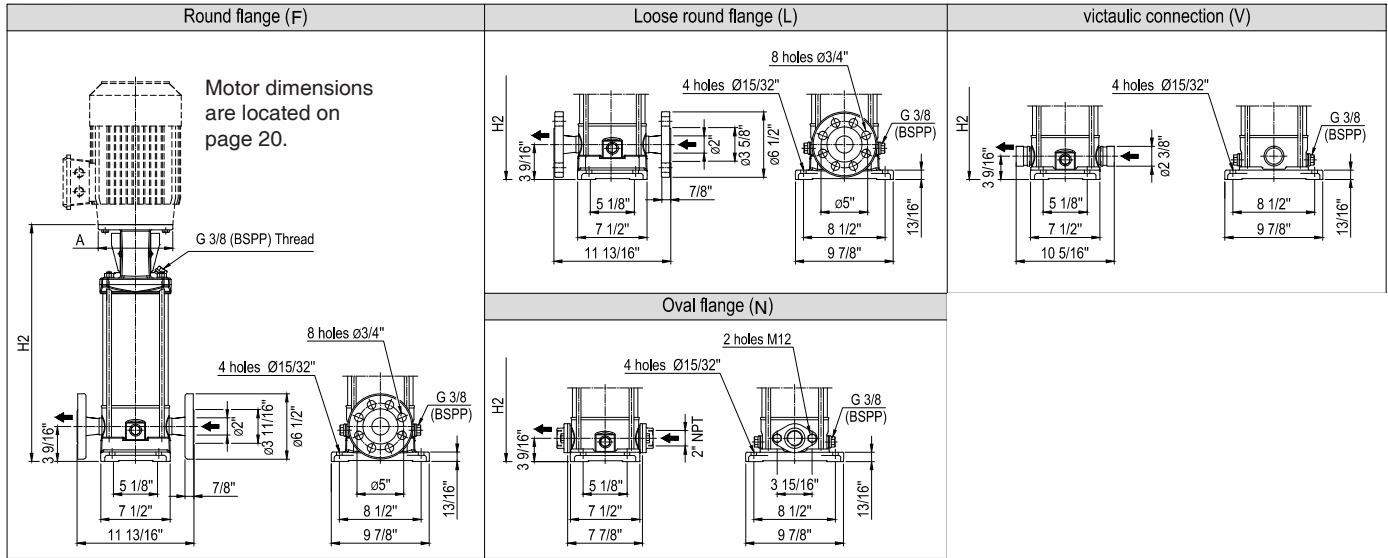
Minnesota Location:
(651) 758-7867
330 Mill Bay South Suite 1511
Afton, MN 55001

PumpSupplyInc.com

EVMSU Series

Stainless Steel Vertical Multistage Pump

TECHNICAL DATA EVMSU(L)15 DIMENSIONS



EVMSU(L)15 Pump Model	Pmax [psi]	Motor Frame						Round flange (F) Loose round flange (LF)				Oval flange (N)				victaulic connection (V)			
		TEFC		ODP		TEFC		ODP		TEFC		ODP		TEFC		ODP			
		HP	NEMA Frame	A	HP	NEMA Frame	A	H2	Pump Weight	H2	Pump Weight	H2	Pump Weight	H2	Pump Weight	H2	Pump Weight		
EVMSU(L)15-1	230	2	56C	6 5/8"	2	56C	6 5/8"	15 5/16"	41.7 lb	15 5/16"	41.7 lb	15 5/16"	37.5 lb	15 5/16"	37.5 lb	15 5/16"	37.5 lb	15 5/16"	37.5 lb
EVMSU(L)15-2	230	5	184TC	9 1/16"	5	184TC	9 1/16"	19 11/16"	51.5 lb	19 11/16"	51.5 lb	19 11/16"	47.5 lb	19 11/16"	47.5 lb	19 11/16"	47.3 lb	19 11/16"	47.3 lb
EVMSU(L)15-3	230	7.5	184TC	9 1/16"	7.5	184TC	9 1/16"	21 1/4"	57.2 lb	21 1/4"	57.2 lb	21 1/4"	53.0 lb	21 1/4"	53.0 lb	21 1/4"	53.0 lb	21 1/4"	53.0 lb
EVMSU(L)15-4	230	10	215TC	9 1/16"	10	215TC	9 1/16"	22 13/16"	60.8 lb	22 13/16"	60.8 lb	22 13/16"	56.6 lb	22 13/16"	56.6 lb	22 13/16"	56.6 lb	22 13/16"	56.6 lb
EVMSU(L)15-5	230	10	215TC	9 1/16"	10	215TC	9 1/16"	24 3/8"	63.3 lb	24 3/8"	63.3 lb	24 3/8"	59.1 lb	24 3/8"	59.1 lb	24 3/8"	59.1 lb	24 3/8"	59.1 lb
EVMSU(L)15-6	230	15	215TC	9 1/16"	15	215TC	9 1/16"	25 15/16"	72.8 lb	25 15/16"	72.8 lb	25 15/16"	68.8 lb	25 15/16"	68.8 lb	25 15/16"	68.6 lb	25 15/16"	68.6 lb
EVMSU(L)15-7	230	15	215TC	9 1/16"	15	215TC	9 1/16"	27 1/2"	77.0 lb	27 1/2"	77.0 lb	27 1/2"	72.8 lb	27 1/2"	72.8 lb	27 1/2"	72.8 lb	27 1/2"	72.8 lb
EVMSU(L)15-8	375	20	256TC	9 1/16"	20	256TC	9 1/16"	29 11/16"	86.9 lb	29 11/16"	86.9 lb	-	-	-	-	29 11/16"	82.7 lb	29 11/16"	82.7 lb
EVMSU(L)15-9	375	20	256TC	9 1/16"	20	256TC	9 1/16"	31 1/4"	89.7 lb	31 1/4"	89.7 lb	-	-	-	-	31 1/4"	85.5 lb	31 1/4"	85.5 lb
EVMSU(L)15-10	375	20	256TC	9 1/16"	20	256TC	9 1/16"	32 13/16"	92.6 lb	32 13/16"	92.6 lb	-	-	-	-	32 13/16"	88.4 lb	32 13/16"	88.4 lb
EVMSU(L)15-11	375	25	286TSC	11"	Consult Factory			33 11/16"	91.8 lb	Consult Factory						33 11/16"	87.7 lb	Consult Factory	
EVMSU(L)15-12	375	25	286TSC	11"				35 5/16"	94.7 lb							35 5/16"	90.5 lb		

(Flange rating: ANSI 300LB)

Illinois Location:
(847) 841-7867
860 Church Rd Elgin, IL 60123

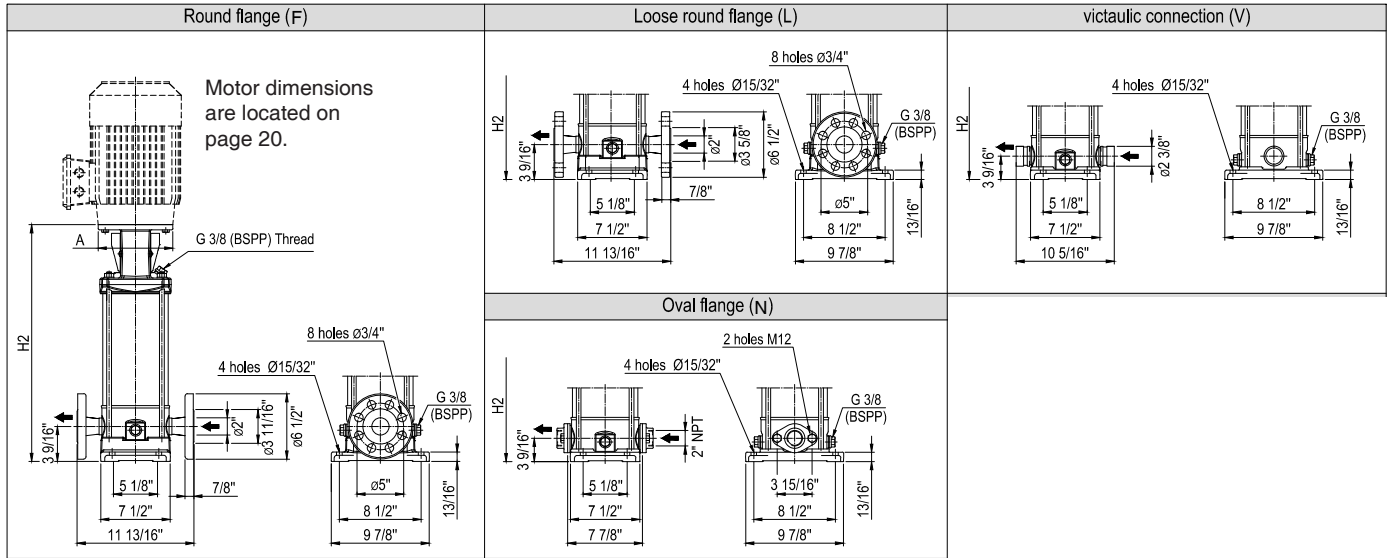
Minnesota Location:
(651) 758-7867
330 Mill Bay South Suite 1511
Afton, MN 55001

PumpSupplyInc.com

EVMSU Series

Stainless Steel Vertical Multistage Pump

TECHNICAL DATA EVMSU(L)20 DIMENSIONS



EVMSU(L)20 Pump Model	Pmax [psi]	Motor Frame						Round flange (F) Loose round flange (LF)				Oval flange (N)				victaulic connection (V)			
		TEFC			ODP			TEFC		ODP		TEFC		ODP		TEFC		ODP	
		HP	NEMA Frame	A	HP	NEMA Frame	A	H2	Pump Weight	H2	Pump Weight	H2	Pump Weight	H2	Pump Weight	H2	Pump Weight	H2	Pump Weight
EVMSU(L)20-1	230	3	145TC	6 5/8"	3	145TC	6 5/8"	15 3/8"	41.5 lb	15 3/8"	41.5 lb	15 3/8"	37.5 lb	15 3/8"	37.5 lb	15 3/8"	37.3 lb	15 3/8"	37.3 lb
EVMSU(L)20-2	230	5	184TC	9 1/16"	5	184TC	9 1/16"	19 11/16"	51.5 lb	19 11/16"	51.5 lb	19 11/16"	47.5 lb	19 11/16"	47.5 lb	19 11/16"	47.3 lb	19 11/16"	47.3 lb
EVMSU(L)20-3	230	7.5	184TC	9 1/16"	7.5	184TC	9 1/16"	21 1/4"	57.2 lb	21 1/4"	57.2 lb	21 1/4"	53.0 lb	21 1/4"	53.0 lb	21 1/4"	53.0 lb	21 1/4"	53.0 lb
EVMSU(L)20-4	230	10	215TC	9 1/16"	10	215TC	9 1/16"	22 13/16"	60.8 lb	22 13/16"	60.8 lb	22 13/16"	56.9 lb	22 13/16"	56.9 lb	22 13/16"	56.6 lb	22 13/16"	56.6 lb
EVMSU(L)20-5	230	15	215TC	9 1/16"	15	215TC	9 1/16"	24 3/8"	69.5 lb	24 3/8"	69.5 lb	24 3/8"	65.5 lb	24 3/8"	65.5 lb	24 3/8"	65.3 lb	24 3/8"	65.3 lb
EVMSU(L)20-6	230	15	215TC	9 1/16"	15	215TC	9 1/16"	25 15/16"	70.1 lb	25 15/16"	70.1 lb	25 15/16"	65.9 lb	25 15/16"	65.9 lb	25 15/16"	65.9 lb	25 15/16"	65.9 lb
EVMSU(L)20-7	375	20	256TC	9 1/16"	20	256TC	9 1/16"	28 1/8"	83.5 lb	28 1/8"	83.5 lb	-	-	-	-	28 1/8"	79.4 lb	28 1/8"	79.4 lb
EVMSU(L)20-8	375	20	256TC	9 1/16"	20	256TC	9 1/16"	29 11/16"	86.4 lb	29 11/16"	86.4 lb	-	-	-	-	29 11/16"	82.2 lb	29 11/16"	82.2 lb
EVMSU(L)20-9	375	25	286TSC	11"	Consult Factory			30 9/16"	85.9 lb	Consult Factory			-	-	-	30 9/16"	81.7 lb	Consult Factory	
EVMSU(L)20-10	375	25	286TSC	11"	Consult Factory			32 1/8"	88.8 lb	Consult Factory			-	-	-	32 1/8"	84.6 lb	Consult Factory	

Model also available in 182TC/184TC frame (Flange rating: ANSI 300LB)

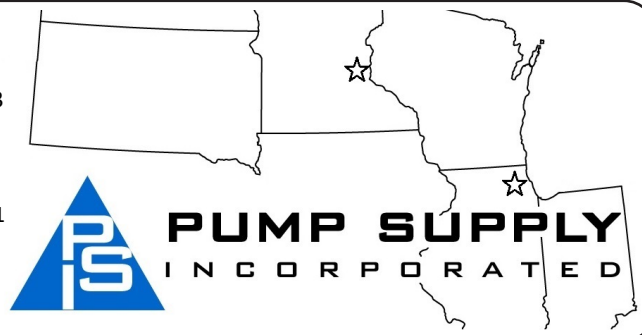
Illinois Location:
(847) 841-7867

860 Church Rd Elgin, IL 60123

Minnesota Location:
(651) 758-7867

330 Mill Bay South Suite 1511
Afton, MN 55001

PumpSupplyInc.com

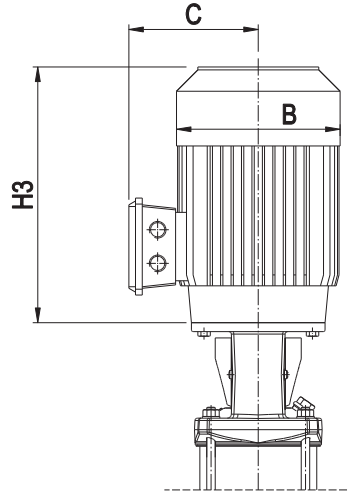


EVMSU Series

Stainless Steel Vertical Multistage Pump

MOTOR DIMENSIONS

EVMSU(L) 1, 3



Pump type	Horsepower	TEFC motor				ODP motor				
		NEMA frame size	Dimensions			NEMA frame size	Dimensions			
			B	C	H3		B	C	H3	
1	EVMSU1 2	0.5	56C	6 1/4	5 1/4	11 7/16	56C	6 1/4	5 1/16	11 5/16
	EVMSU1 3	0.5	56C	6 1/4	5 1/4	11 7/16	56C	6 1/4	5 1/16	11 5/16
	EVMSU1 4	0.5	56C	6 1/4	5 1/4	11 7/16	56C	6 1/4	5 1/16	11 5/16
	EVMSU1 5	0.5	56C	6 1/4	5 1/4	11 7/16	56C	6 1/4	5 1/16	11 5/16
	EVMSU1 6	0.75	56C	6 1/4	5 1/4	11 7/16	56C	6 1/4	5 1/16	11 5/16
	EVMSU1 7	0.75	56C	6 1/4	5 1/4	11 7/16	56C	6 1/4	5 1/16	11 5/16
	EVMSU1 8	1	56C	7 1/4	5 1/4	13 5/8	56C	6 3/16	5 1/16	11 1/8
	EVMSU1 9	1	56C	7 1/4	5 1/4	13 5/8	56C	6 3/16	5 1/16	11 1/8
	EVMSU1 10	1	56C	7 1/4	5 1/4	13 5/8	56C	6 3/16	5 1/16	11 1/8
	EVMSU1 11	1.5	56C	7 1/4	5 1/4	13 5/8	56C	7 1/4	5 5/8	13 9/16
	EVMSU1 12	1.5	56C	7 1/4	5 1/4	13 5/8	56C	7 1/4	5 5/8	13 9/16
	EVMSU1 13	1.5	56C	7 1/4	5 1/4	13 5/8	56C	7 1/4	5 5/8	13 9/16
	EVMSU1 14	1.5	56C	7 1/4	5 1/4	13 5/8	56C	7 1/4	5 5/8	13 9/16
	EVMSU1 16	2	56C	7 1/4	5 1/4	13 9/16	56C	6 1/4	5 1/16	11 5/16
	EVMSU1 18	2	56C	7 1/4	5 1/4	13 9/16	56C	6 1/4	5 1/16	11 5/16
	EVMSU1 20	2	56C	7 1/4	5 1/4	13 9/16	56C	6 1/4	5 1/16	11 5/16
	EVMSU1 22	3	145TC	7 3/16	5 3/4	12 1/16	Consult Factory			
	EVMSU1 24	3	145TC	7 3/16	5 3/4	12 1/16				
	EVMSU1 26	3	145TC	7 3/16	5 3/4	12 1/16				
	EVMSU1 27	3	145TC	7 3/16	5 3/4	12 1/16				
EVMSU1 29	3	145TC	7 3/16	5 3/4	12 1/16					
3	EVMSU3 2	0.5	56C	6 1/4	5 1/4	11 7/16	56C	6 1/4	5 1/16	11 5/16
	EVMSU3 3	0.75	56C	6 1/4	5 1/4	11 7/16	56C	6 1/4	5 1/16	11 5/16
	EVMSU3 4	1	56C	7 1/4	5 1/4	13 5/8	56C	6 3/16	5 1/16	11 1/8
	EVMSU3 5	1	56C	7 1/4	5 1/4	13 5/8	56C	6 3/16	5 1/16	11 1/8
	EVMSU3 6	1.5	56C	7 1/4	5 1/4	13 5/8	56C	7 1/4	5 5/8	13 9/16
	EVMSU3 7	1.5	56C	7 1/4	5 1/4	13 5/8	56C	7 1/4	5 5/8	13 9/16
	EVMSU3 8	2	56C	7 1/4	5 1/4	13 9/16	56C	6 1/4	5 1/16	11 5/16
	EVMSU3 9	2	56C	7 1/4	5 1/4	13 9/16	56C	6 1/4	5 1/16	11 5/16
	EVMSU3 10	2	56C	7 1/4	5 1/4	13 9/16	56C	6 1/4	5 1/16	11 5/16
	EVMSU3 11	3	182TC	7 1/4	5 3/4	13 15/16	Consult Factory			
	EVMSU3 12	3	182TC	7 1/4	5 3/4	13 15/16				
	EVMSU3 13	3	182TC	7 1/4	5 3/4	13 15/16				
	EVMSU3 14	3	182TC	7 1/4	5 3/4	13 15/16				
	EVMSU3 15	3	182TC	7 1/4	5 3/4	13 15/16				
	EVMSU3 16	5	184TC	8 1/2	6 7/8	15 7/16	182TC	8 7/16	6 3/4	13 7/8
	EVMSU3 17	5	184TC	8 1/2	6 7/8	15 7/16	182TC	8 7/16	6 3/4	13 7/8
	EVMSU3 19	5	184TC	8 1/2	6 7/8	15 7/16	182TC	8 7/16	6 3/4	13 7/8
	EVMSU3 20	5	184TC	8 1/2	6 7/8	15 7/16	182TC	8 7/16	6 3/4	13 7/8
	EVMSU3 21	5	184TC	8 1/2	6 7/8	15 7/16	182TC	8 7/16	6 3/4	13 7/8
	EVMSU3 22	5	184TC	8 1/2	6 7/8	15 7/16	182TC	8 7/16	6 3/4	13 7/8
EVMSU3 23	5	184TC	8 1/2	6 7/8	15 7/16	182TC	8 7/16	6 3/4	13 7/8	

NOTE: Motor dimensions (B, C and H3) are provided for reference only and should be verified based on motor manufacturer specifications.



EBARA

www.pumpsebara.com

IL - (847) 841-7867

PumpSupplyInc.com

MN - (651) 758-7867

EVMSU Series

Stainless Steel Vertical Multistage Pump

MOTOR DIMENSIONS EVMSU(L) 5, 10, 15, 20



	Pump		TEFC motor				ODP motor			
	Pump Model	Horsepower	NEMA frame size	Dimensions [inches]			NEMA frame size	Dimensions [inches]		
				B	C	H3		B	C	H3
5	EVMSU5 2	1	56C	7 1/4	5 1/4	13 5/8	56C	6 3/16	5 1/16	11 1/8
	EVMSU5 3	1.5	56C	7 1/4	5 1/4	13 5/8	56C	7 1/4	5 5/8	13 9/16
	EVMSU5 4	2	56C	7 1/4	5 1/4	13 9/16	56C	6 1/4	5 1/16	11 5/16
	EVMSU5 5	3	145TC	7 3/16	5 3/4	12 1/16	145TC	7 3/16	5 5/8	11 1/8
	EVMSU5 6	3	145TC	7 3/16	5 3/4	12 1/16	145TC	7 3/16	5 5/8	11 1/8
	EVMSU5 7	5	184TC	8 1/2	6 7/8	15 7/16	184TC	8 7/16	6 3/4	13 7/8
	EVMSU5 8	5	184TC	8 1/2	6 7/8	15 7/16	184TC	8 7/16	6 3/4	13 7/8
	EVMSU5 9	5	184TC	8 1/2	6 7/8	15 7/16	184TC	8 7/16	6 3/4	13 7/8
	EVMSU5 10	5	184TC	8 1/2	6 7/8	15 7/16	184TC	8 7/16	6 3/4	13 7/8
	EVMSU5 11	5	184TC	8 1/2	6 7/8	15 7/16	184TC	8 7/16	6 3/4	13 7/8
	EVMSU5 12	7.5	215TC	10 5/16	8 1/16	18 3/16	Consult Factory			
	EVMSU5 13	7.5	215TC	10 5/16	8 1/16	18 3/16				
	EVMSU5 14	7.5	215TC	10 5/16	8 1/16	18 3/16				
	EVMSU5 15	7.5	215TC	10 5/16	8 1/16	18 3/16				
EVMSU5 16	7.5	215TC	10 5/16	8 1/16	18 3/16					
EVMSU5 17	7.5	215TC	10 5/16	8 1/16	18 3/16	215TC	9 5/8	7 15/16	16 9/16	
EVMSU5 19	10	215TC	10 5/16	8 1/16	18 3/16	215TC	9 5/8	7 15/16	16 9/16	
10	EVMSU10 1	1	56C	7 1/4	5 1/4	13 5/8	56C	6 3/16	5 1/16	11 1/8
	EVMSU10 2	2	56C	7 1/4	5 1/4	13 9/16	56C	6 1/4	5 1/16	11 5/16
	EVMSU10 3	3	145TC	7 3/16	5 3/4	12 1/16	145TC	7 3/16	5 5/8	11 1/8
	EVMSU10 4	5	184TC	8 1/2	6 7/8	15 7/16	184TC	8 7/16	6 3/4	13 7/8
	EVMSU10 5	5	184TC	8 1/2	6 7/8	15 7/16	184TC	8 7/16	6 3/4	13 7/8
	EVMSU10 6	5	184TC	8 1/2	6 7/8	15 7/16	184TC	8 7/16	6 3/4	13 7/8
	EVMSU10 7	7.5	184TC	8 5/8	6 7/8	15 7/16	184TC	8 1/2	6 3/4	12 3/8
	EVMSU10 8	7.5	184TC	8 5/8	6 7/8	15 7/16	184TC	8 1/2	6 3/4	12 3/8
	EVMSU10 9	7.5	184TC	8 5/8	6 7/8	15 7/16	184TC	8 1/2	6 3/4	12 3/8
	EVMSU10 10	10	215TC	10 5/16	8 1/16	18 3/16	215TC	9 5/8	7 15/16	16 9/16
	EVMSU10 11	10	215TC	10 5/16	8 1/16	18 3/16	215TC	9 5/8	7 15/16	16 9/16
	EVMSU10 12	10	215TC	10 5/16	8 1/16	18 3/16	215TC	9 5/8	7 15/16	16 9/16
	EVMSU10 14	15	215TC	10 5/16	8 1/16	18 3/16	215TC	9 5/8	7 15/16	16 9/16
	EVMSU10 15	15	215TC	10 5/16	8 1/16	18 3/16	215TC	9 5/8	7 15/16	16 9/16
EVMSU10 16	15	215TC	10 5/16	8 1/16	18 3/16	215TC	9 5/8	7 15/16	16 9/16	
15	EVMSU15 1	2	56C	7 1/4	5 1/4	13 9/16	56C	6 1/4	5 1/16	11 5/16
	EVMSU15 2	5	184TC	8 1/2	6 7/8	15 7/16	184TC	8 7/16	6 3/4	13 7/8
	EVMSU15 3	7.5	184TC	8 5/8	6 7/8	15 7/16	184TC	8 1/2	6 3/4	12 3/8
	EVMSU15 4	10	215TC	10 5/16	8 1/16	18 3/16	215TC	9 5/8	7 15/16	16 9/16
	EVMSU15 5	10	215TC	10 5/16	8 1/16	18 3/16	215TC	9 5/8	7 15/16	16 9/16
	EVMSU15 6	15	215TC	10 5/16	8 1/16	18 3/16	215TC	9 5/8	7 15/16	16 9/16
	EVMSU15 7	15	215TC	10 5/16	8 1/16	18 3/16	215TC	9 5/8	7 15/16	16 9/16
	EVMSU15 8	20	256TC	12 7/8	10 1/16	20	256TC	11 1/2	9 1/2	18
	EVMSU15 9	20	256TC	12 7/8	10 1/16	20	256TC	11 1/2	9 1/2	18
	EVMSU15 10	20	256TC	12 7/8	10 1/16	20	256TC	11 1/2	9 1/2	18
	EVMSU15 11	25	286TSC	13 5/8	12 1/8	21 3/4	Consult Factory			
	EVMSU15 12	25	286TSC	13 5/8	12 1/8	21 3/4				
20	EVMSU20 1	3	145TC	7 3/16	5 3/4	12 1/16	145TC	7 3/16	5 5/8	11 1/8
	EVMSU20 2	5	184TC	8 1/2	6 7/8	15 7/16	184TC	8 7/16	6 3/4	13 7/8
	EVMSU20 3	7.5	184TC	8 5/8	6 7/8	15 7/16	184TC	8 1/2	6 3/4	12 3/8
	EVMSU20 4	10	215TC	10 5/16	8 1/16	18 3/16	215TC	9 5/8	7 15/16	16 9/16
	EVMSU20 5	15	215TC	10 5/16	8 1/16	18 3/16	215TC	9 5/8	7 15/16	16 9/16
	EVMSU20 6	15	215TC	10 5/16	8 1/16	18 3/16	215TC	9 5/8	7 15/16	16 9/16
	EVMSU20 7	20	256TC	12 7/8	10 1/16	20	256TC	11 1/2	9 1/2	18
	EVMSU20 8	20	256TC	12 7/8	10 1/16	20	256TC	11 1/2	9 1/2	18
	EVMSU20 9	25	286TSC	13 5/8	12 1/8	21 3/4	Consult Factory			
	EVMSU20 10	25	286TSC	13 5/8	12 1/8	21 3/4				

NOTE: Motor dimensions (B, C and H3) are provided for reference only and should be verified based on motor manufacturer specifications.

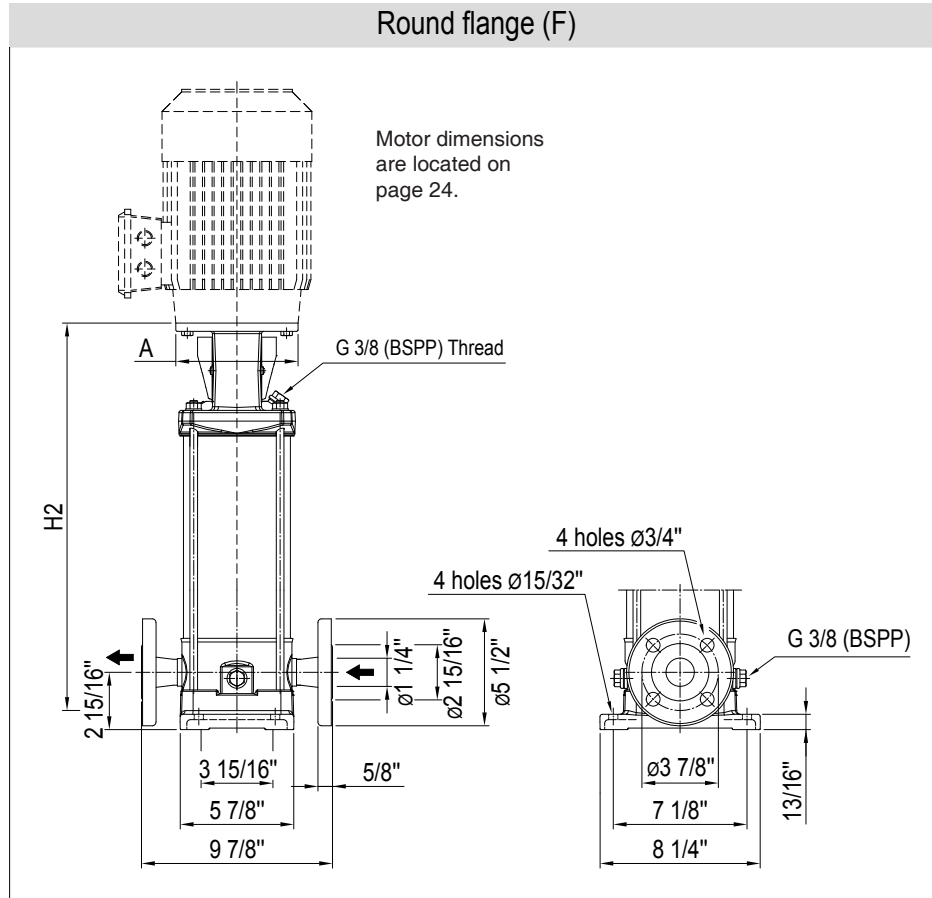
EVMSU Series

Stainless Steel Vertical Multistage Pump

TECHNICAL DATA

EVMSU(L)N3

DIMENSIONS



EVMSU(L)N3		Motor Frame						Round flange (F)			
Pump Model	Pmax [psi]	TEFC			ODP			TEFC		ODP	
		HP	NEMA Frame	A	HP	NEMA Frame	A	H2	Pump Weight	H2	Pump Weight
EVMSU(L)N3-2	360	0.75	56C	6 5/8"	0.75	56C	6 5/8"	11 7/8"	24.9 lb	11 7/8"	24.9 lb
EVMSU(L)N3-3	360	1	56C	6 5/8"	1	56C	6 5/8"	12 11/16"	25.8 lb	12 11/16"	25.8 lb
EVMSU(L)N3-4	360	1.5	56C	6 5/8"	1.5	56C	6 5/8"	13 9/16"	26.7 lb	13 9/16"	26.7 lb
EVMSU(L)N3-5	360	1.5	56C	6 5/8"	1.5	56C	6 5/8"	14 3/8"	27.8 lb	14 3/8"	27.8 lb
EVMSU(L)N3-6	360	1.5	56C	6 5/8"	1.5	56C	6 5/8"	15 3/16"	28.7 lb	15 3/16"	28.7 lb
EVMSU(L)N3-7	360	2	56C	6 5/8"	2	56C	6 5/8"	16"	29.6 lb	16"	29.6 lb
EVMSU(L)N3-8	360	2	56C	6 5/8"	2	56C	6 5/8"	16 7/8"	30.2 lb	16 7/8"	30.2 lb
EVMSU(L)N3-9	360	3	145TC	6 5/8"	3	145TC	6 5/8"	17 11/16"	31.1 lb	17 11/16"	31.1 lb
EVMSU(L)N3-10	360	3	145TC	6 5/8"	3	145TC	6 5/8"	18 1/2"	32.2 lb	18 1/2"	32.2 lb
EVMSU(L)N3-11	360	3	145TC	6 5/8"	3	145TC	6 5/8"	19 5/16"	33.1 lb	19 5/16"	33.1 lb
EVMSU(L)N3-13	360	5	184TC	9 1/16"	5	184TC	9 1/16"	24 1/2"	41.0 lb	24 1/2"	41.0 lb
EVMSU(L)N3-14	360	5	184TC	9 1/16"	5	184TC	9 1/16"	25 5/16"	41.9 lb	25 5/16"	41.9 lb
EVMSU(L)N3-16	360	5	184TC	9 1/16"	5	184TC	9 1/16"	26 15/16"	44.7 lb	26 15/16"	44.7 lb
EVMSU(L)N3-18	360	5	184TC	9 1/16"	5	184TC	9 1/16"	28 1/2"	47.6 lb	28 1/2"	47.6 lb
EVMSU(L)N3-21	360	5	184TC	9 1/16"	5	184TC	9 1/16"	31 1/16"	49.8 lb	31 1/16"	49.8 lb
EVMSU(L)N3-23	360	7.5	184TC	9 1/16"	7.5	184TC	9 1/16"	32 3/4"	51.7 lb	32 3/4"	51.7 lb

(Flange rating: ANSI 300LB)

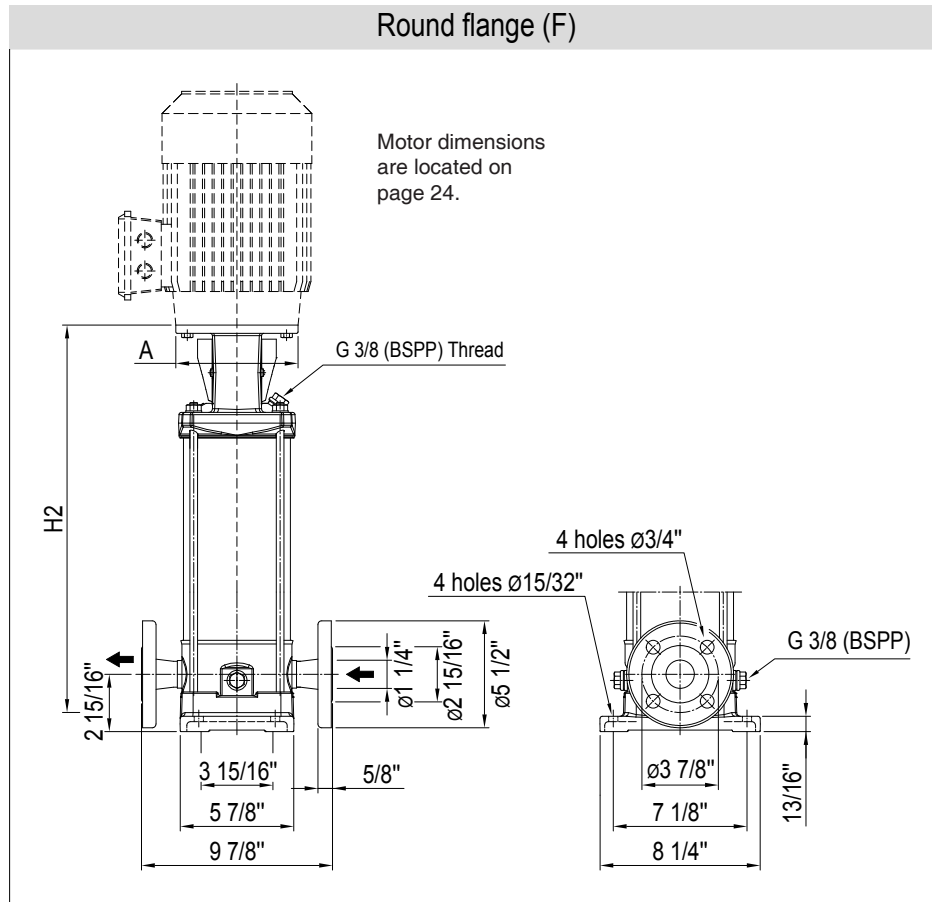
EVMSU Series

Stainless Steel Vertical Multistage Pump

TECHNICAL DATA

EVMSU(L)N5

DIMENSIONS



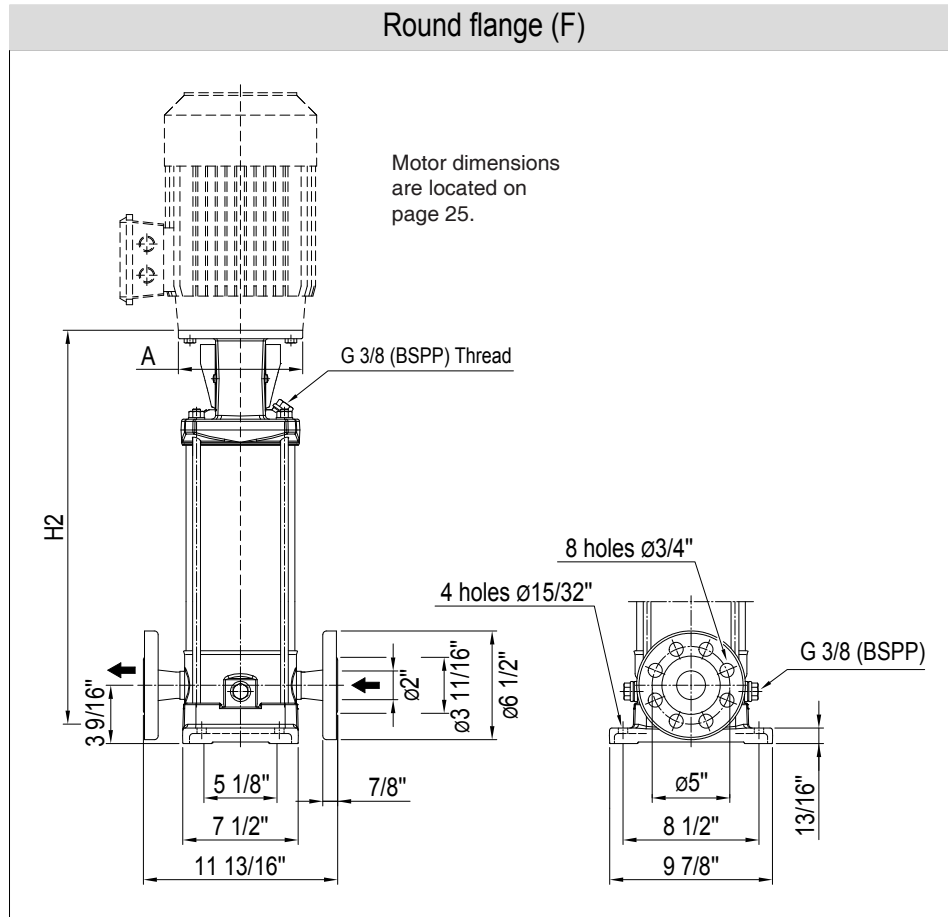
EVMSU(L)N5		Motor Frame						Round flange (F)			
Pump Model	Pmax [psi]	TEFC			ODP			TEFC		ODP	
		HP	NEMA Frame	A	HP	NEMA Frame	A	H2	Pump Weight	H2	Pump Weight
EVMSU(L)N5-3	360	2	56C	6 5/8"	2	56C	6 5/8"	13 9/16"	26.1 lb	13 9/16"	26.1 lb
EVMSU(L)N5-4	360	3	145TC	6 5/8"	3	145TC	6 5/8"	14 5/8"	27.3 lb	14 5/8"	27.3 lb
EVMSU(L)N5-5	360	3	145TC	6 5/8"	3	145TC	6 5/8"	15 3/4"	28.4 lb	15 3/4"	28.4 lb
EVMSU(L)N5-6	360	3	145TC	6 5/8"	3	145TC	6 5/8"	16 13/16"	29.3 lb	16 13/16"	29.3 lb
EVMSU(L)N5-7	360	5	184TC	9 1/16"	5	184TC	9 1/16"	21 7/16"	36.1 lb	21 7/16"	36.1 lb
EVMSU(L)N5-8	360	5	184TC	9 1/16"	5	184TC	9 1/16"	22 9/16"	36.8 lb	22 9/16"	36.8 lb
EVMSU(L)N5-9	360	5	184TC	9 1/16"	5	184TC	9 1/16"	23 5/8"	37.9 lb	23 5/8"	37.9 lb
EVMSU(L)N5-10	360	5	184TC	9 1/16"	5	184TC	9 1/16"	24 3/4"	39.0 lb	24 3/4"	39.0 lb
EVMSU(L)N5-11	360	7.5	215TC	9 1/16"	7.5	215TC	9 1/16"	26 1/2"	45.6 lb	26 1/2"	45.6 lb
EVMSU(L)N5-12	360	7.5	215TC	9 1/16"	7.5	215TC	9 1/16"	27 9/16"	51.8 lb	27 9/16"	51.8 lb
EVMSU(L)N5-14	360	7.5	215TC	9 1/16"	7.5	215TC	9 1/16"	29 13/16"	57.2 lb	29 13/16"	57.2 lb
EVMSU(L)N5-15	360	7.5	215TC	9 1/16"	7.5	215TC	9 1/16"	30 7/8"	58.3 lb	30 7/8"	58.3 lb
EVMSU(L)N5-17	360	10	215TC	9 1/16"	10	215TC	9 1/16"	33 1/8"	60.9 lb	33 1/8"	60.9 lb
EVMSU(L)N5-19	360	10	215TC	9 1/16"	10	215TC	9 1/16"	35 5/16"	62.9 lb	35 5/16"	62.9 lb

(Flange rating: ANSI 300LB)

EVMSU Series

Stainless Steel Vertical Multistage Pump

TECHNICAL DATA EVMSU(L)N10 DIMENSIONS



EVMSU(L)N10		Motor Frame						Round flange (F)			
Pump Model	Pmax [psi]	TEFC			ODP			TEFC		ODP	
		HP	NEMA Frame	A	HP	NEMA Frame	A	H2	Pump Weight	H2	Pump Weight
EVMSU(L)N10-2	360	3	145TC	6 5/8"	3	145TC	6 5/8"	15 5/8"	47.1 lb	15 5/8"	47.1 lb
EVMSU(L)N10-3	360	5	184TC	9 1/16"	5	184TC	9 1/16"	21 1/16"	57.9 lb	21 1/16"	57.9 lb
EVMSU(L)N10-4	360	5	184TC	9 1/16"	5	184TC	9 1/16"	22 1/4"	59.8 lb	22 1/4"	59.8 lb
EVMSU(L)N10-5	360	7.5	184TC	9 1/16"	7.5	184TC	9 1/16"	23 7/16"	61.6 lb	23 7/16"	61.6 lb
EVMSU(L)N10-6	360	7.5	184TC	9 1/16"	7.5	184TC	9 1/16"	24 5/8"	63.6 lb	24 5/8"	63.6 lb
EVMSU(L)N10-7	360	7.5	184TC	9 1/16"	7.5	184TC	9 1/16"	25 13/16"	68.5 lb	25 13/16"	68.5 lb
EVMSU(L)N10-8	360	10	215TC	9 1/16"	10	215TC	9 1/16"	27"	71.1 lb	27"	71.1 lb
EVMSU(L)N10-9	360	10	215TC	9 1/16"	10	215TC	9 1/16"	28 3/16"	72.9 lb	28 3/16"	72.9 lb
EVMSU(L)N10-10	360	10	215TC	9 1/16"	10	215TC	9 1/16"	29 3/8"	75.6 lb	29 3/8"	75.6 lb
EVMSU(L)N10-11	360	15	215TC	9 1/16"	15	215TC	9 1/16"	30 9/16"	79.3 lb	30 9/16"	79.3 lb
EVMSU(L)N10-13	360	15	215TC	9 1/16"	15	215TC	9 1/16"	32 7/8"	90.8 lb	32 7/8"	90.8 lb
EVMSU(L)N10-14	360	15	215TC	9 1/16"	15	215TC	9 1/16"	34 1/16"	91.3 lb	34 1/16"	91.3 lb
EVMSU(L)N10-15	360	15	215TC	9 1/16"	15	215TC	9 1/16"	35 1/4"	93.3 lb	35 1/4"	93.3 lb

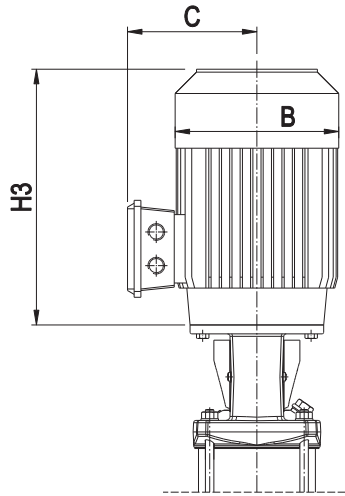
(Flange rating: ANSI 300LB)

EVMSU Series

Stainless Steel Vertical Multistage Pump

MOTOR DIMENSIONS

EVMSU(L)N3,5



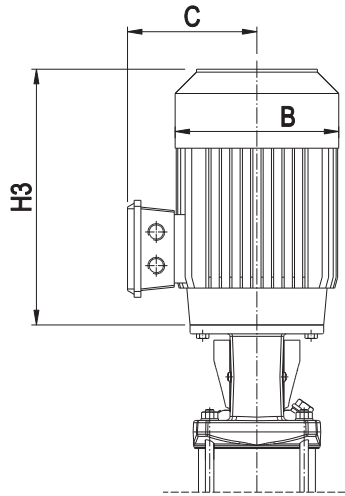
	Pump		TEFC motor			ODP motor				
	Pump Model	Horsepower	NEMA frame size	Dimensions [inches]			NEMA frame size	Dimensions [inches]		
				B	C	H3		B	C	H3
3	EVMSU(L)N3-2	0.75	56C	6 1/4"	5 1/4"	11 7/16"	56C	6 1/4"	5 1/16"	11 5/16"
	EVMSU(L)N3-3	1	56C	7 1/4"	5 1/4"	11 7/16"	56C	6 1/4"	5 1/16"	11 5/16"
	EVMSU(L)N3-4	1.5	56C	7 1/4"	5 1/4"	13 5/8"	56C	7 1/4"	5 5/8"	13 9/16"
	EVMSU(L)N3-5	1.5	56C	7 1/4"	5 1/4"	13 5/8"	56C	7 1/4"	5 5/8"	13 9/16"
	EVMSU(L)N3-6	1.5	56C	7 1/4"	5 1/4"	13 5/8"	56C	7 1/4"	5 5/8"	13 9/16"
	EVMSU(L)N3-7	2	56C	7 1/4"	5 1/4"	13 9/16"	56C	6 1/4"	5 1/16"	11 5/16"
	EVMSU(L)N3-8	2	56C	7 1/4"	5 1/4"	13 9/16"	56C	6 1/4"	5 1/16"	11 5/16"
	EVMSU(L)N3-9	3	145TC	7 3/16"	5 3/4"	12 1/16"	145TC	7 3/16"	5 5/8"	11 1/8"
	EVMSU(L)N3-10	3	145TC	7 3/16"	5 3/4"	12 1/16"	145TC	7 3/16"	5 5/8"	11 1/8"
	EVMSU(L)N3-11	3	145TC	7 3/16"	5 3/4"	12 1/16"	145TC	7 3/16"	5 5/8"	11 1/8"
	EVMSU(L)N3-13	5	184TC	8 1/2"	6 7/8"	15 7/16"	184TC	8 7/16"	6 3/4"	13 7/8"
	EVMSU(L)N3-14	5	184TC	8 1/2"	6 7/8"	15 7/16"	184TC	8 7/16"	6 3/4"	13 7/8"
	EVMSU(L)N3-16	5	184TC	8 1/2"	6 7/8"	15 7/16"	184TC	8 7/16"	6 3/4"	13 7/8"
EVMSU(L)N3-18	5	184TC	8 1/2"	6 7/8"	15 7/16"	184TC	8 7/16"	6 3/4"	13 7/8"	
EVMSU(L)N3-21	5	184TC	8 1/2"	6 7/8"	15 7/16"	184TC	8 7/16"	6 3/4"	13 7/8"	
EVMSU(L)N3-23	7.5	184TC	8 1/2"	6 7/8"	15 7/16"	184TC	8 1/2"	6 3/4"	12 3/8"	
5	EVMSU(L)N5-3	2	56C	7 1/4"	5 1/4"	13 9/16"	56C	6 1/4"	5 1/16"	11 5/16"
	EVMSU(L)N5-4	3	145TC	7 3/16"	5 3/4"	12 1/16"	145TC	7 3/16"	5 5/8"	11 1/8"
	EVMSU(L)N5-5	3	145TC	7 3/16"	5 3/4"	12 1/16"	145TC	7 3/16"	5 5/8"	11 1/8"
	EVMSU(L)N5-6	3	145TC	7 3/16"	5 3/4"	12 1/16"	145TC	7 3/16"	5 5/8"	11 1/8"
	EVMSU(L)N5-7	5	184TC	8 1/2"	6 7/8"	15 7/16"	184TC	8 7/16"	6 3/4"	13 7/8"
	EVMSU(L)N5-8	5	184TC	8 1/2"	6 7/8"	15 7/16"	184TC	8 7/16"	6 3/4"	13 7/8"
	EVMSU(L)N5-9	5	184TC	8 1/2"	6 7/8"	15 7/16"	184TC	8 7/16"	6 3/4"	13 7/8"
	EVMSU(L)N5-10	5	184TC	8 1/2"	6 7/8"	15 7/16"	184TC	8 7/16"	6 3/4"	13 7/8"
	EVMSU(L)N5-11	7.5	215TC	10 5/16"	8 1/16"	18 3/16"	Consult Factory			
	EVMSU(L)N5-12	7.5	215TC	10 5/16"	8 1/16"	18 3/16"				
	EVMSU(L)N5-14	7.5	215TC	10 5/16"	8 1/16"	18 3/16"				
	EVMSU(L)N5-15	7.5	215TC	10 5/16"	8 1/16"	18 3/16"	215TC	9 5/8"	7 15/16"	16 9/16"
	EVMSU(L)N5-17	10	215TC	10 5/16"	8 1/16"	18 3/16"	215TC	9 5/8"	7 15/16"	16 9/16"
EVMSU(L)N5-19	10	215TC	10 5/16"	8 1/16"	18 3/16"	215TC	9 5/8"	7 15/16"	16 9/16"	

NOTE: Motor dimensions (B, C and H3) are provided for reference only and should be verified based on motor manufacturer specifications.

EVMSU Series

Stainless Steel Vertical Multistage Pump

MOTOR DIMENSIONS EVMSU(L)N10



Pump		TEFC motor				ODP motor				
Pump Model	Horsepower	NEMA frame size	Dimensions [inches]			NEMA frame size	Dimensions [inches]			
			B	C	H3		B	C	H3	
10	EVMSUN(L)10-2	3	145TC	7 3/16"	5 3/4"	12 1/16"	145TC	7 3/16"	5 5/8"	11 1/8"
	EVMSUN(L)10-3	5	184TC	8 1/2"	6 7/8"	15 7/16"	184TC	8 7/16"	6 3/4"	13 7/8"
	EVMSUN(L)10-4	5	184TC	8 1/2"	6 7/8"	15 7/16"	184TC	8 7/16"	6 3/4"	13 7/8"
	EVMSUN(L)10-5	7.5	184TC	8 5/8"	6 7/8"	15 7/16"	184TC	8 1/2"	6 3/4"	12 3/8"
	EVMSUN(L)10-6	7.5	184TC	8 5/8"	6 7/8"	15 7/16"	184TC	8 1/2"	6 3/4"	12 3/8"
	EVMSUN(L)10-7	7.5	184TC	8 5/8"	6 7/8"	15 7/16"	184TC	8 1/2"	6 3/4"	12 3/8"
	EVMSUN(L)10-8	10	215TC	10 5/16"	8 1/16"	18 3/16"	215TC	9 5/8"	7 15/16"	16 9/16"
	EVMSUN(L)10-9	10	215TC	10 5/16"	8 1/16"	18 3/16"	215TC	9 5/8"	7 15/16"	16 9/16"
	EVMSUN(L)10-10	10	215TC	10 5/16"	8 1/16"	18 3/16"	215TC	9 5/8"	7 15/16"	16 9/16"
	EVMSUN(L)10-11	15	215TC	10 5/16"	8 1/16"	18 3/16"	215TC	9 5/8"	7 15/16"	16 9/16"
	EVMSUN(L)10-13	15	215TC	10 5/16"	8 1/16"	18 3/16"	215TC	9 5/8"	7 15/16"	16 9/16"
	EVMSUN(L)10-14	15	215TC	10 5/16"	8 1/16"	18 3/16"	215TC	9 5/8"	7 15/16"	16 9/16"
	EVMSUN(L)10-15	15	215TC	10 5/16"	8 1/16"	18 3/16"	215TC	9 5/8"	7 15/16"	16 9/16"

NOTE: Motor dimensions (B, C and H3) are provided for reference only and should be verified based on motor manufacturer specifications.

Illinois Location:
(847) 841-7867
860 Church Rd Elgin, IL 60123

Minnesota Location:
(651) 758-7867
330 Mill Bay South Suite 1511
Afton, MN 55001
PumpSupplyInc.com

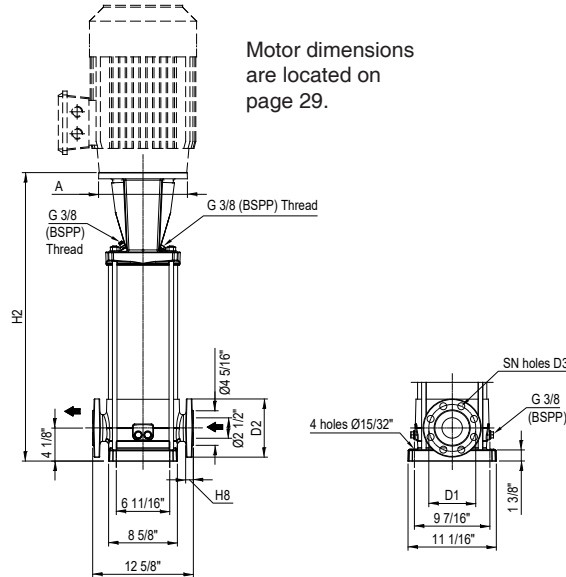
EVMSU Series

Stainless Steel Vertical Multistage Pump

TECHNICAL DATA

EVMSU(G)(L)32

DIMENSIONS



EVMSU(G)(L)32		Motor		Round flange (F) / Loose flange(F)								Weight	
Pump Model	Pmax [psi]	HP	NEMA Frame	Flange Rating Ø	A Ø	H2 in	SN	D1 Ø (in)	D2 Ø (in)	D3 Ø (in)	H8 in	Pump lb	Pump & Motor lb
EVMSU(G)(L)32-1-1	230	5	184TC	#150	9 3/16	22 7/16	4	5 1/2	7 1/2	3/4	15/16	116	212
EVMSU(G)(L)32-1	230	5	184TC	#150	9 3/16	22 7/16	4	5 1/2	7 1/2	3/4	15/16	116	212
EVMSU(G)(L)32-2-2	230	7.5	213TC	#150	9 3/16	25 3/16	4	5 1/2	7 1/2	3/4	15/16	128	222
EVMSU(G)(L)32-2-1	230	7.5	213TC	#150	9 3/16	25 3/16	4	5 1/2	7 1/2	3/4	15/16	128	222
EVMSU(G)(L)32-2	230	10	215TC	#150	9 3/16	25 3/16	4	5 1/2	7 1/2	3/4	15/16	128	260
EVMSU(G)(L)32-3-2	230	10/15	215TC	#150	9 3/16	27 15/16	4	5 1/2	7 1/2	3/4	15/16	138	277
EVMSU(G)(L)32-3	230	15	215TC	#150	9 3/16	27 15/16	4	5 1/2	7 1/2	3/4	15/16	138	277
EVMSU(G)(L)32-4-2	230	15	215TC	#150	9 3/16	30 11/16	4	5 1/2	7 1/2	3/4	15/16	145	284
EVMSU(G)(L)32-4	230	20	256TC	#150	9 3/16	31 3/16	4	5 1/2	7 1/2	3/4	15/16	122	355
EVMSU(G)(L)32-5-2	230	20	256TC	#150	9 3/16	33 1/2	4	5 1/2	7 1/2	3/4	15/16	129	362
EVMSU(G)(L)32-5	230	20	256TC	#150	9 3/16	33 1/2	4	5 1/2	7 1/2	3/4	15/16	129	362
EVMSU(G)(L)32-6-2	360	25	284TSC	#300	11 3/16	36 1/8	8	5 7/8	7 1/2	7/8	15/16	150	541
EVMSU(G)(L)32-6	360	25	284TSC	#300	11 3/16	36 1/8	8	5 7/8	7 1/2	7/8	15/16	150	541
EVMSU(G)(L)32-7-2	360	30	286TSC	#300	11 3/16	38 7/8	8	5 7/8	7 1/2	7/8	15/16	151	562
EVMSU(G)(L)32-7	360	30	286TSC	#300	11 3/16	38 7/8	8	5 7/8	7 1/2	7/8	15/16	151	562
EVMSU(G)(L)32-8-2	360	30	286TSC	#300	11 3/16	41 5/8	8	5 7/8	7 1/2	7/8	15/16	161	572
EVMSU(G)(L)32-8	435	40	324TSC	#300	13 9/16	42 1/8	8	5 7/8	7 1/2	7/8	15/16	145	668
EVMSU(G)(L)32-9-2	435	40	324TSC	#300	13 9/16	44 7/8	8	5 7/8	7 1/2	7/8	15/16	153	676
EVMSU(G)(L)32-9	435	40	324TSC	#300	13 9/16	44 7/8	8	5 7/8	7 1/2	7/8	15/16	153	676
EVMSU(G)(L)32-10	435	40	324TSC	#300	13 9/16	47 5/8	8	5 7/8	7 1/2	7/8	15/16	160	683

Also available in 360PSI, #300 ANSI rating

EVMSUG: Fixed round flanges , EVMSU(L) : Loose flanges

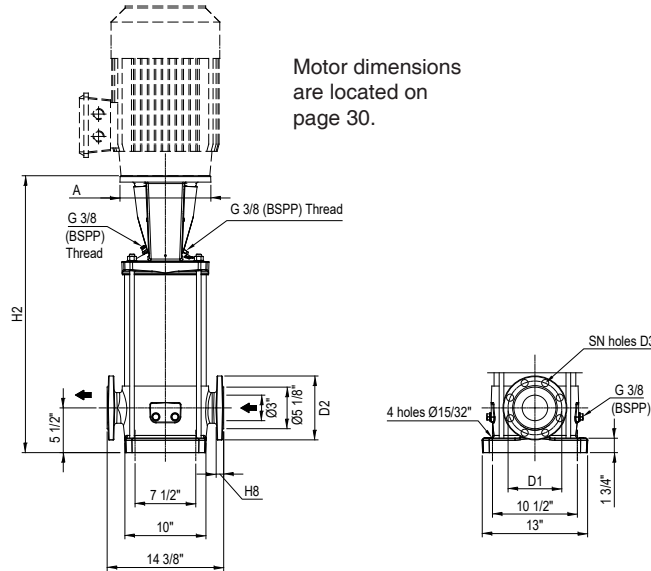
EVMSU Series

Stainless Steel Vertical Multistage Pump

TECHNICAL DATA

EVMSU(G)(L)45

DIMENSIONS



EVMSU(G)(L)45 Pump Model	Pmax [psi]	Motor		Flange Rating Ø	A Ø	Round flange (F) / Loose flange(F)					Weight		
		HP	NEMA Frame			H2 in	SN	D1 Ø (in)	D2 Ø (in)	D3 Ø (in)	H8 in	Pump lb	Pump & Motor lb
EVMSU(G)(L)45-1-1	230	7.5	215TC	#150	9 3/16	25 13/16	4	6	7 7/8	3/4	15/16	153	246
EVMSU(G)(L)45-1	230	10	215TC	#150	9 3/16	25 13/16	4	6	7 7/8	3/4	15/16	153	285
EVMSU(G)(L)45-2-2	230	15	215TC	#150	9 3/16	28 1/2	4	6	7 7/8	3/4	15/16	159	298
EVMSU(G)(L)45-2-1	230	15	215TC	#150	9 3/16	28 1/2	4	6	7 7/8	3/4	15/16	159	298
EVMSU(G)(L)45-2	230	20	256TC	#150	9 3/16	29	4	6	7 7/8	3/4	15/16	159	392
EVMSU(G)(L)45-3-2	230	20	256TC	#150	9 3/16	31 13/16	4	6	7 7/8	3/4	15/16	170	403
EVMSU(G)(L)45-3-1	230	25	286TSC	#150	11 3/16	31 3/8	4	6	7 7/8	3/4	15/16	171	562
EVMSU(G)(L)45-3	230	25	286TSC	#150	11 3/16	31 3/8	4	6	7 7/8	3/4	15/16	171	562
EVMSU(G)(L)45-4-2	230	30	286TSC	#150	11 3/16	34 3/16	4	6	7 7/8	3/4	15/16	157	568
EVMSU(G)(L)45-4-1	230	40	326TSC	#150	13 9/16	34 5/8	4	6	7 7/8	3/4	15/16	157	680
EVMSU(G)(L)45-4	230	40	326TSC	#150	13 9/16	34 5/8	4	6	7 7/8	3/4	15/16	157	680
EVMSU(G)(L)45-5-2	360	40	326TSC	#300	13 9/16	37 1/2	8	6 5/8	8 1/4	7/8	1 3/16	173	696
EVMSU(G)(L)45-5-1	360	40	326TSC	#300	13 9/16	37 1/2	8	6 5/8	8 1/4	7/8	1 3/16	173	696
EVMSU(G)(L)45-5	360	50	326TSC	#300	13 1/2	38 1/2	8	6 5/8	8 1/4	7/8	1 3/16	243	843
EVMSU(G)(L)45-6-2	360	50	326TSC	#300	13 1/2	41 3/8	8	6 5/8	8 1/4	7/8	1 3/16	258	858
EVMSU(G)(L)45-6-1	360	50	326TSC	#300	13 1/2	41 3/8	8	6 5/8	8 1/4	7/8	1 3/16	258	858
EVMSU(G)(L)45-6	360	50	326TSC	#300	13 1/2	41 3/8	8	6 5/8	8 1/4	7/8	1 3/16	258	858
EVMSU(G)(L)45-7-2	435	60	365TSC	#300	13 1/2	44 3/16	8	6 5/8	8 1/4	7/8	1 3/16	283	1163
EVMSU(G)(L)45-7-1	435	60	365TSC	#300	13 1/2	44 3/16	8	6 5/8	8 1/4	7/8	1 3/16	283	1163
EVMSU(G)(L)45-7	435	60	365TSC	#300	13 1/2	44 3/16	8	6 5/8	8 1/4	7/8	1 3/16	283	1163

Also available in 360PSI, #300 ANSI rating

EVMSUG: Fixed round flanges, EVMSU(L): Loose flanges



PUMP SUPPLY
INCORPORATED



EBARA

www.pumpsebara.com

IL - (847) 841-7867

PumpSupplyInc.com

MN - (651) 758-7867

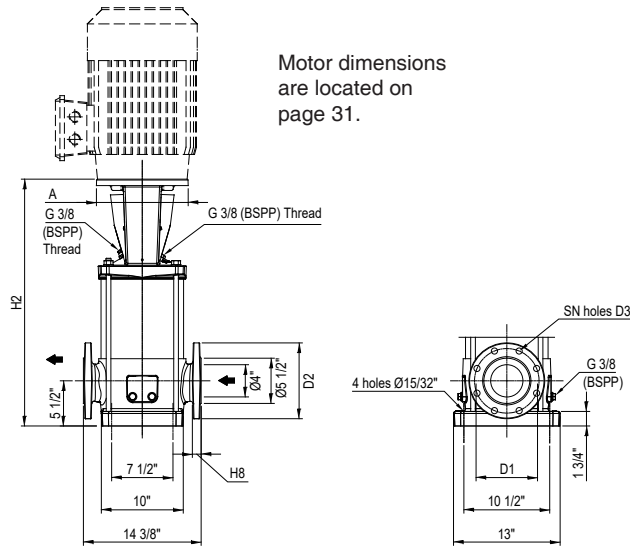
EVMSU Series

Stainless Steel Vertical Multistage Pump

TECHNICAL DATA

EVMSU(G)(L)64

DIMENSIONS



EVMSU(G)(L)64 Pump Model	Pmax [psi]	Motor		Round flange (F) / Loose flange(F)								Weight	
		HP	NEMA Frame	Flange Rating Ø	A Ø	H2 in	SN	D1 Ø (in)	D2 Ø (in)	D3 Ø (in)	H8 in	Pump lb	Pump & Motor lb
EVMSU(G)(L)64-1-1	230	10	215TC	#150	9 3/16	25 13/16	8	7 1/2	9	11/16	15/16	165	297
EVMSU(G)(L)64-1	230	15	215TC	#150	9 3/16	25 13/16	8	7 1/2	9	11/16	15/16	180	319
EVMSU(G)(L)64-2-2	230	15	215TC	#150	9 3/16	28 5/8	8	7 1/2	9	11/16	15/16	168	307
EVMSU(G)(L)64-2-1	230	20	256TC	#150	9 3/16	29 1/4	8	7 1/2	9	11/16	15/16	177	410
EVMSU(G)(L)64-2	230	25	284TSC	#150	11 3/16	28 1/2	8	7 1/2	9	11/16	15/16	170	561
EVMSU(G)(L)64-3-2	230	30	286TSC	#150	11 3/16	31 3/8	8	7 1/2	9	11/16	15/16	182	593
EVMSU(G)(L)64-3-1	230	40	326TSC	#150	13 9/16	31 13/16	8	7 1/2	9	11/16	15/16	165	688
EVMSU(G)(L)64-3	230	40	326TSC	#150	13 9/16	31 13/16	8	7 1/2	9	11/16	15/16	165	688
EVMSU(G)(L)64-4-2	360	40	326TSC	#300	13 9/16	35 9/16	8	7 7/8	10	7/8	1 3/16	228	751
EVMSU(G)(L)64-4-1	360	50	326TSC	#300	13 1/2	35 9/16	8	7 7/8	10	7/8	1 3/16	268	868
EVMSU(G)(L)64-4	360	50	326TSC	#300	13 1/2	35 9/16	8	7 7/8	10	7/8	1 3/16	268	868
EVMSU(G)(L)64-5-2	360	60	365TSC	#300	13 1/2	38 1/2	8	7 7/8	10	7/8	1 3/16	305	1185
EVMSU(G)(L)64-5-1	360	60	365TSC	#300	13 1/2	38 1/2	8	7 7/8	10	7/8	1 3/16	305	1185
EVMSU(G)(L)64-5	360	60	365TSC	#300	13 1/2	38 1/2	8	7 7/8	10	7/8	1 3/16	305	1185

Illinois Location:

(847) 841-7867
860 Church Rd Elgin, IL 60123

Minnesota Location:

(651) 758-7867
330 Mill Bay South Suite 1511
Afton, MN 55001

PumpSupplyInc.com



es, EVMSU(L) : Loose flanges



EBARA

www.pumpsebara.com

IL - (847) 841-7867

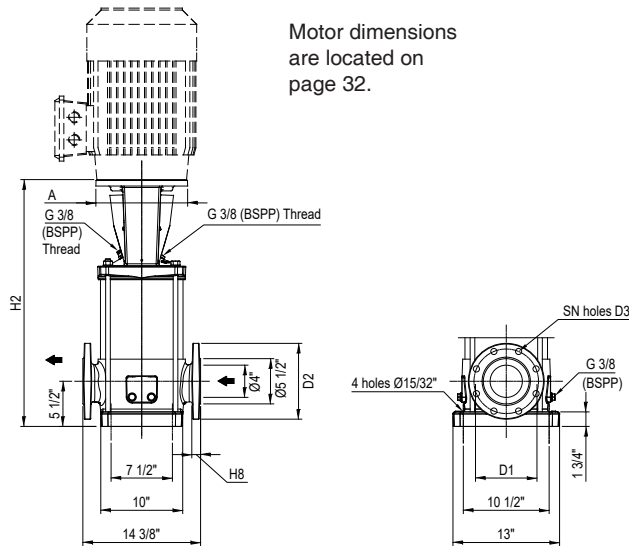
PumpSupplyInc.com

MN - (651) 758-7867

EVMSU Series

Stainless Steel Vertical Multistage Pump

TECHNICAL DATA EVMSU(G)(L)90 DIMENSIONS



EVMSU(G)(L)90		Motor		Round flange (F) / Loose flange(F)								Weight	
Pump Model	Pmax [psi]	HP	NEMA Frame	Flange Rating Ø	A Ø	H2 in	SN	D1 Ø (in)	D2 Ø (in)	D3 Ø (in)	H8 in	Pump lb	Pump & Motor lb
EVMSU(G)(L)90-1-1	230	15	215TC	#150	9 3/16	26 1/2	8	7 1/2	9	11/16	15/16	171	310
EVMSU(G)(L)90-1	230	20	256TC	#150	9 3/16	27 1/4	8	7 1/2	9	11/16	15/16	171	404
EVMSU(G)(L)90-2-2	230	25	284TSC	#150	11 3/16	30 3/16	8	7 1/2	9	11/16	15/16	180	571
EVMSU(G)(L)90-2-1	230	30	286TSC	#150	11 3/16	30 3/16	8	7 1/2	9	11/16	15/16	180	591
EVMSU(G)(L)90-2	230	40	326TSC	#150	13 1/2	30 5/8	8	7 1/2	9	11/16	15/16	183	706
EVMSU(G)(L)90-3-2	230	40	326TSC	#150	13 1/2	34 3/8	8	7 1/2	9	11/16	15/16	214	737
EVMSU(G)(L)90-3-1	230	50	326TSC	#150	13 1/2	34 3/8	8	7 1/2	9	11/16	15/16	231	831
EVMSU(G)(L)90-3	230	50	326TSC	#150	13 1/2	34 3/8	8	7 1/2	9	11/16	15/16	231	831
EVMSU(G)(L)90-4-2	360	60	365TSC	#300	13 1/2	39	8	7 7/8	10	7/8	1 3/16	270	1150

EVMSUG: Fixed round flanges , EVMSU(L) : Loose flanges

Illinois Location:
(847) 841-7867
860 Church Rd Elgin, IL 60123

Minnesota Location:
(651) 758-7867
330 Mill Bay South Suite 1511
Afton, MN 55001
PumpSupplyInc.com

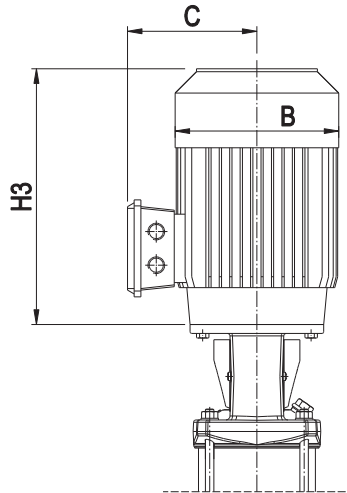
PUMP SUPPLY
INCORPORATED

EVMSU Series

Stainless Steel Vertical Multistage Pump

MOTOR DIMENSIONS

EVMSU(G)(L)32



	Pump		TEFC			ODP				
	Pump Model	Horsepower	NEMA frame size	Dimensions [inches]			NEMA frame size	Dimensions [inches]		
				B	C	H3		B	C	H3
32	EVMSU(G)(L)32-1-1	5	184TC	9 7/16	6 11/16	16 1/2	184TC	10 1/16	6 11/16	13 1/2
	EVMSU(G)(L)32-1	5	184TC	9 7/16	6 11/16	16 1/2	184TC	10 1/16	6 11/16	13 1/2
	EVMSU(G)(L)32-2-2	7.5	215TC	11	8	19	215TC	9 7/8	8	16
	EVMSU(G)(L)32-2-1	7.5	215TC	11	8	19	215TC	9 7/8	8	16
	EVMSU(G)(L)32-2	10	215TC	10 15/16	8	20 1/2	215TC	9 7/8	8	16
	EVMSU(G)(L)32-3-2	15	215TC	10 13/16	8 5/8	16 1/4	215TC	9 7/8	8	16
	EVMSU(G)(L)32-3	15	215TC	10 13/16	8 5/8	16 1/4	215TC	9 7/8	8	16
	EVMSU(G)(L)32-4-2	15	215TC	10 13/16	8 5/8	16 1/4	215TC	9 7/8	8	16
	EVMSU(G)(L)32-4	20	256TC	13 3/16	9 7/16	21 1/2	256TC	11 9/16	9 7/16	16 3/4
	EVMSU(G)(L)32-5-2	20	256TC	13 3/16	9 7/16	21 1/2	256TC	11 9/16	9 7/16	16 3/4
	EVMSU(G)(L)32-5	20	256TC	13 3/16	9 7/16	21 1/2	256TC	11 9/16	9 7/16	16 3/4
	EVMSU(G)(L)32-6-2	25	286TSC	14 3/16	11 1/16	24 1/4	286TSC	14 1/8	11 15/16	18 3/4
	EVMSU(G)(L)32-6	25	286TSC	14 3/16	11 1/16	24 1/4	286TSC	14 1/8	11 15/16	18 3/4
	EVMSU(G)(L)32-7-2	30	286TSC	14 3/16	11 1/16	25 3/4	286TSC	14 1/8	11 15/16	18 3/4
	EVMSU(G)(L)32-7	30	286TSC	14 3/16	11 1/16	25 3/4	286TSC	14 1/8	11 15/16	18 3/4
	EVMSU(G)(L)32-8-2	30	286TSC	14 3/16	11 1/16	25 3/4	286TSC	14 1/8	11 15/16	18 3/4
EVMSU(G)(L)32-8	40	326TSC	15 13/16	12 9/16	27	326TSC	15 11/16	13 3/8	20 5/8	
EVMSU(G)(L)32-9-2	40	326TSC	15 13/16	12 9/16	27	326TSC	15 11/16	13 3/8	20 5/8	
EVMSU(G)(L)32-9	40	326TSC	15 13/16	12 9/16	27	326TSC	15 11/16	13 3/8	20 5/8	
EVMSU(G)(L)32-10	40	326TSC	15 13/16	12 9/16	27	326TSC	15 11/16	13 3/8	20 5/8	

NOTE: Motor dimensions (B, C and H3) are provided for reference only and should be verified based on motor manufacturer specifications.

Illinois Location:
 (847) 841-7867
 860 Church Rd Elgin, IL 60123

Minnesota Location:
 (651) 758-7867
 330 Mill Bay South Suite 1511
 Afton, MN 55001

PumpSupplyInc.com

PUMP SUPPLY
INCORPORATED



EBARA

www.pumpsebara.com

IL - (847) 841-7867

PumpSupplyInc.com

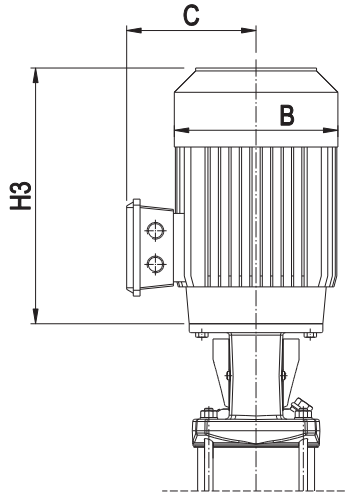
MN - (651) 758-7867

EVMSU Series

Stainless Steel Vertical Multistage Pump

MOTOR DIMENSIONS

EVMSU(G)(L)45



	Pump		TEFC			ODP				
	Pump Model	Horsepower	NEMA frame size	Dimensions [inches]			NEMA frame size	Dimensions [inches]		
				B	C	H3		B	C	H3
45	EVMSU(G)(L)45-1-1	7.5	215TC	11	8	19	215TC	9 7/8	8	16
	EVMSU(G)(L)45-1	10	215TC	10 15/16	8	20 1/2	215TC	9 7/8	8	16
	EVMSU(G)(L)45-2-2	15	215TC	10 13/16	8 5/8	16 1/4	215TC	9 7/8	8	16
	EVMSU(G)(L)45-2-1	15	215TC	10 13/16	8 5/8	16 1/4	215TC	9 7/8	8	16
	EVMSU(G)(L)45-2	20	256TC	13 3/16	9 7/16	21 1/2	256TC	11 9/16	9 7/16	16 3/4
	EVMSU(G)(L)45-3-2	20	256TC	13 3/16	9 7/16	21 1/2	256TC	11 9/16	9 7/16	16 3/4
	EVMSU(G)(L)45-3-1	25	286TSC	14 3/16	11 1/16	24 1/4	286TSC	14 1/8	11 15/16	18 3/4
	EVMSU(G)(L)45-3	25	286TSC	14 3/16	11 1/16	24 1/4	286TSC	14 1/8	11 15/16	18 3/4
	EVMSU(G)(L)45-4-2	30	286TSC	14 3/16	11 1/16	25 3/4	286TSC	14 1/8	11 15/16	18 3/4
	EVMSU(G)(L)45-4-1	40	326TSC	15 13/16	12 9/16	27	326TSC	15 11/16	13 3/8	20 5/8
	EVMSU(G)(L)45-4	40	326TSC	15 13/16	12 9/16	27	326TSC	15 11/16	13 3/8	20 5/8
	EVMSU(G)(L)45-5-2	40	326TSC	15 13/16	12 9/16	27	326TSC	15 11/16	13 3/8	20 5/8
	EVMSU(G)(L)45-5-1	40	326TSC	15 13/16	12 9/16	27	326TSC	15 11/16	13 3/8	20 5/8
	EVMSU(G)(L)45-5	50	326TSC	15 13/16	12 9/16	25 3/4	326TSC	15 11/16	13 3/8	20 5/8
	EVMSU(G)(L)45-6-2	50	326TSC	15 13/16	12 9/16	25 3/4	326TSC	15 11/16	13 3/8	20 5/8
	EVMSU(G)(L)45-6-1	50	326TSC	15 13/16	12 9/16	25 3/4	326TSC	15 11/16	13 3/8	20 5/8
	EVMSU(G)(L)45-6	50	326TSC	15 13/16	12 9/16	25 3/4	326TSC	15 11/16	13 3/8	20 5/8
	EVMSU(G)(L)45-7-2	60	365TSC	17 15/16	16 1/16	28 3/4	-	-	-	-
EVMSU(G)(L)45-7-1	60	365TSC	17 15/16	16 1/16	28 3/4	-	-	-	-	
EVMSU(G)(L)45-7	60	365TSC	17 15/16	16 1/16	28 3/4	-	-	-	-	

NOTE: Motor dimensions (B, C and H3) are provided for reference only and should be verified based on motor manufacturer specifications.



EBARA

www.pumpsebara.com

IL - (847) 841-7867

PumpSupplyInc.com

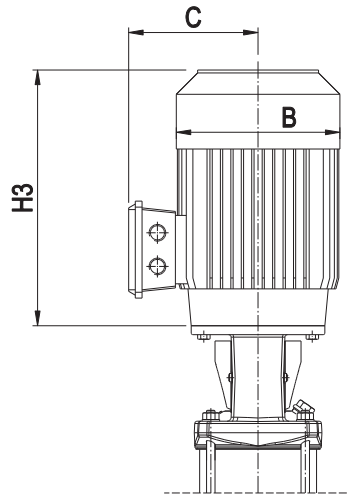
MN - (651) 758-7867

EVMSU Series

Stainless Steel Vertical Multistage Pump

MOTOR DIMENSIONS

EVMSU(G)(L)64



	Pump		TEFC			ODP				
	Pump Model	Horsepower	NEMA frame size	Dimensions [inches]			NEMA frame size	Dimensions [inches]		
				B	C	H3		B	C	H3
64	EVMSU(G)(L)64-1-1	10	215TC	11	7 15/16	20 3/4	215TC	9 13/16	7 15/16	16 1/16
	EVMSU(G)(L)64-1	15	215TC	10 1/16	8 11/16	16 3/8	215TC	9 13/16	7 15/16	16 7/8
	EVMSU(G)(L)64-2-2	15	215TC	10 1/16	8 11/16	16 3/8	215TC	9 13/16	7 15/16	16 7/8
	EVMSU(G)(L)64-2-1	20	256TC	12 3/4	9 7/16	21 11/16	256TC	11 1/2	7 15/16	18 11/16
	EVMSU(G)(L)64-2	25	284TSC	13 13/16	10 15/16	24 3/8	286TSC	13 5/16	11 1/2	18 13/16
	EVMSU(G)(L)64-3-2	30	286TSC	13 13/16	10 15/16	25 13/16	286TSC	13 5/16	11 1/2	18 13/16
	EVMSU(G)(L)64-3-1	40	326TSC	15 3/8	11 3/16	27 1/4	326TSC	14 5/8	12 15/16	20 13/16
	EVMSU(G)(L)64-3	40	326TSC	15 3/8	11 3/16	27 1/4	326TSC	14 5/8	12 15/16	20 13/16
	EVMSU(G)(L)64-4-2	40	326TSC	15 3/8	11 3/16	27 1/4	326TSC	14 5/8	12 15/16	20 13/16
	EVMSU(G)(L)64-4-1	50	326TSC	15 3/8	12 3/16	26 1/8	326TSC	14 5/8	12 15/16	20 13/16
	EVMSU(G)(L)64-4	50	326TSC	15 3/8	12 3/16	26 1/8	326TSC	14 5/8	12 15/16	20 13/16
	EVMSU(G)(L)64-5-2	60	365TSC	16	17 1/2	28 7/8	-	-	-	-
	EVMSU(G)(L)64-5-1	60	365TSC	16	17 1/2	28 7/8	-	-	-	-
	EVMSU(G)(L)64-5	60	365TSC	16	17 1/2	28 7/8	-	-	-	-

NOTE: Motor dimensions (B, C and H3) are provided for reference only and should be verified based on motor manufacturer specifications.

Illinois Location:
 (847) 841-7867
 860 Church Rd Elgin, IL 60123

Minnesota Location:
 (651) 758-7867
 330 Mill Bay South Suite 1511
 Afton, MN 55001

PumpSupplyInc.com

PUMP SUPPLY
INCORPORATED



EBARA

www.pumpsebara.com

IL - (847) 841-7867

PumpSupplyInc.com

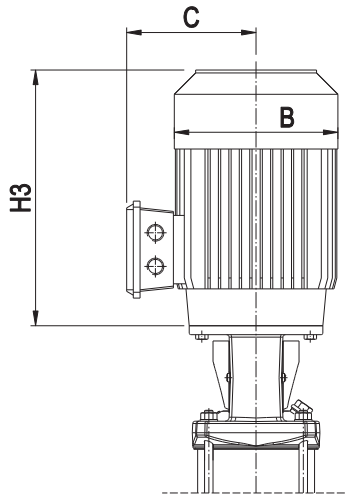
MN - (651) 758-7867

EVMSU Series

Stainless Steel Vertical Multistage Pump

MOTOR DIMENSIONS

EVMSU(G)(L)90





	Pump		TEFC				ODP			
	Pump Model	Horsepower	NEMA frame size	Dimensions [inches]			NEMA frame size	Dimensions [inches]		
				B	C	H3		B	C	H3
90	EVMSU(G)(L)90-1-1	15	215TC	11	7 15/16	20 3/4	215TC	9 13/16	7 15/16	16 1/16
	EVMSU(G)(L)90-1	20	256TC	12 3/4	9 7/16	21 11/16	256TC	11 1/2	7 15/16	18 11/16
	EVMSU(G)(L)90-2-2	25	284TSC	13 13/16	10 15/16	24 3/8	286TSC	13 5/16	11 1/2	18 13/16
	EVMSU(G)(L)90-2-1	30	286TSC	13 13/16	10 15/16	25 13/16	286TSC	13 5/16	11 1/2	18 13/16
	EVMSU(G)(L)90-2	40	326TSC	15 3/8	11 3/16	27 1/4	326TSC	14 5/8	12 15/16	20 13/16
	EVMSU(G)(L)90-3-2	40	326TSC	15 3/8	11 3/16	27 1/4	326TSC	14 5/8	12 15/16	20 13/16
	EVMSU(G)(L)90-3-1	50	326TSC	15 3/8	12 3/16	26 1/8	326TSC	14 5/8	12 15/16	20 13/16
	EVMSU(G)(L)90-3	50	326TSC	15 3/8	12 3/16	26 1/8	326TSC	14 5/8	12 15/16	20 13/16
	EVMSU(G)(L)90-4-2	60	365TSC	16	17 1/2	28 7/8	-			

NOTE: Motor dimensions (B, C and H3) are provided for reference only and should be verified based on motor manufacturer specifications.

Illinois Location:
 (847) 841-7867
 860 Church Rd Elgin, IL 60123

Minnesota Location:
 (651) 758-7867
 330 Mill Bay South Suite 1511
 Afton, MN 55001

PumpSupplyInc.com



EBARA

www.pumpsebara.com

IL - (847) 841-7867

PumpSupplyInc.com

MN - (651) 758-7867