

EBARA Self Priming Trash Pump**EFQT/EFQU****Contents**

Section	Page
Model Designation	2
Features	3
Standard Specifications	5
Specifications	6
Selection Chart	7
Suction Speed Flow Chart	9
Performance Curves	10
Dimension Drawings	20
Model Designation – Skid Packages	25
Dimension Drawings – Skid Packages	26
Technical Data	35
Sectional View	36

**Illinois Location:**

(847) 841-7867

860 Church Rd Elgin, IL 60123

Minnesota Location:

(651) 758-7867

330 Mill Bay South Suite 1511
Afton, MN 55001

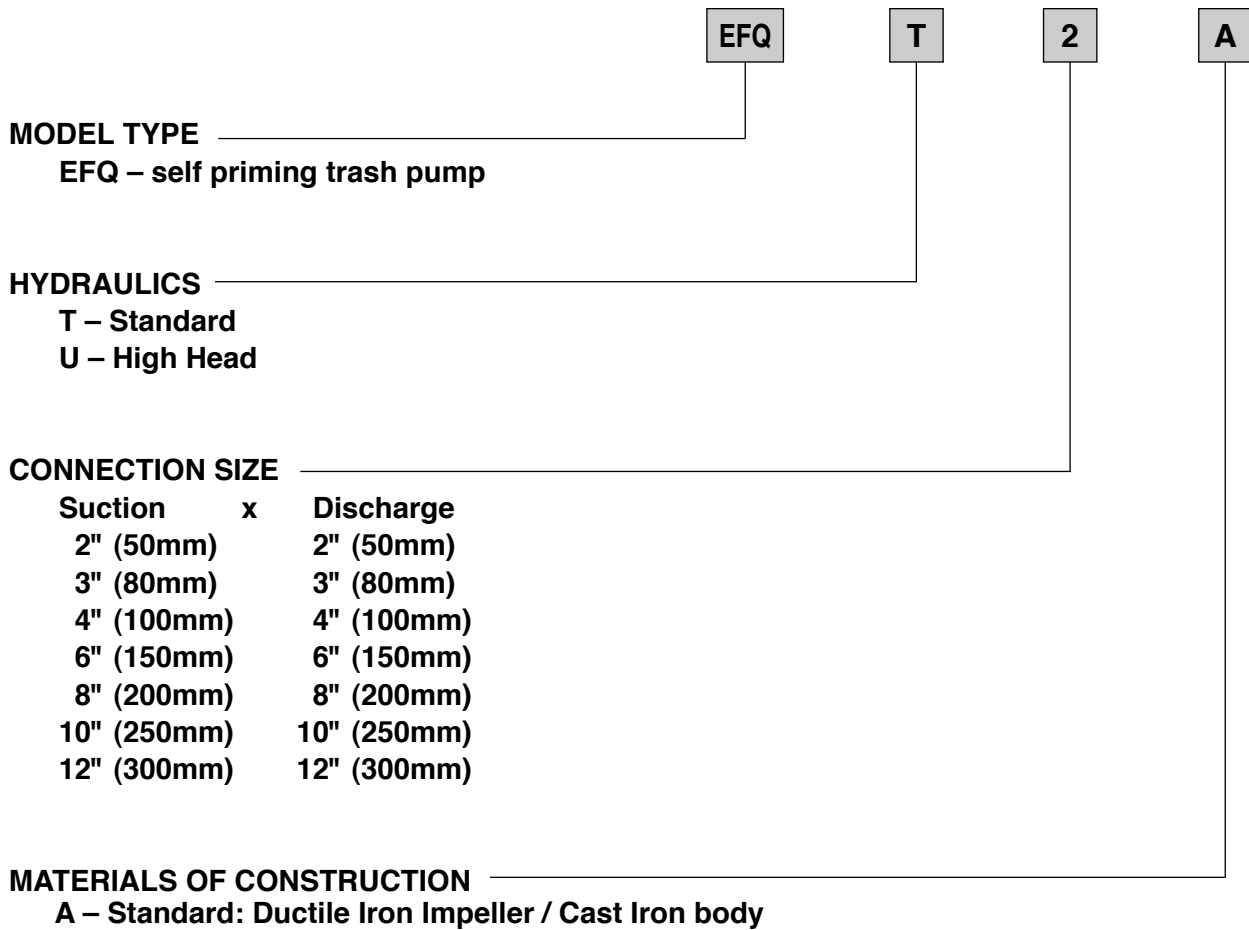
PumpSupplyInc.com



EBARA Self Priming Trash Pump

EFQT/EFQU



Model Designation



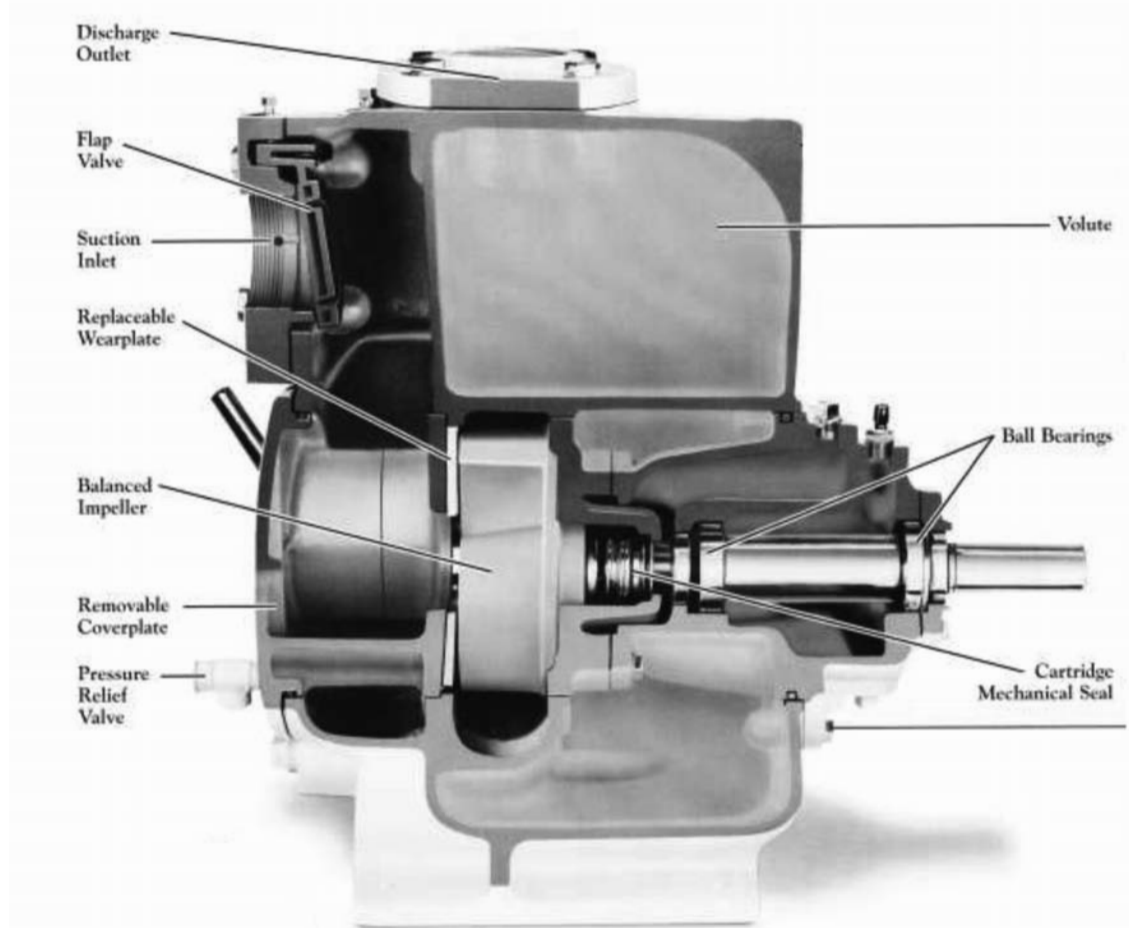
Illinois Location:
(847) 841-7867
860 Church Rd Elgin, IL 60123

Minnesota Location:
(651) 758-7867
330 Mill Bay South Suite 1511
Afton, MN 55001

PumpSupplyInc.com



EBARA Self Priming Trash Pump**EFQT/EFQU****Features - EFQT**

- Impellers are designed as a 2-vane, semi-open, solids handling up to 3" diameter solids, based on the pump size. Backside pump-out vanes reduce pressure on the seal and exclude solids from the seal area.
- Cartridge seal design allows for quick replacement and ease of installation.
- Removeable cover plates and rotating elements for quick inspection and cleaning of the pump without having to remove it from the piping.

Illinois Location:

(847) 841-7867

860 Church Rd Elgin, IL 60123

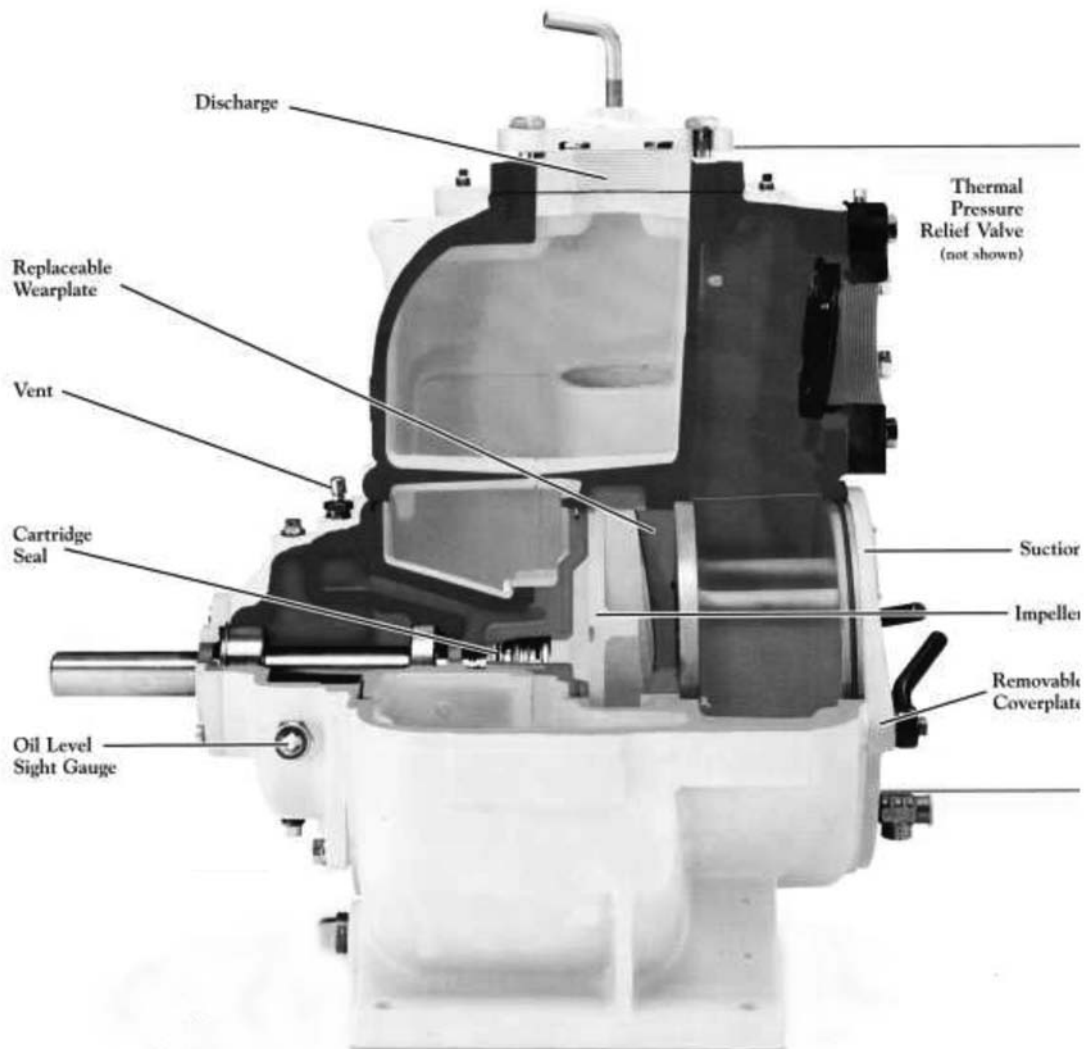
Minnesota Location:

(651) 758-7867

330 Mill Bay South Suite 1511
Afton, MN 55001

PumpSupplyInc.com



EBARA Self Priming Trash Pump**EFQT/EFQU****Features - EFQU**

- Impellers are designed as a Multivane, semi-open, high efficiency, solids handling up to 1.25" diameter solids. Backside pump-out vanes reduce pressure on the seal and exclude solids from the seal area.
- Cartridge seal design allows for quick replacement and ease of installation.
- Removeable cover plates and rotating elements for quick inspection and cleaning of the pump without having to remove it from the piping.
- EFQU-Series Pumps are dimensionally interchangeable with the EFQT series Pumps in the 3", 4" & 6" sizes.



EBARA Self Priming Trash Pump

EFQT/EFQU

Standard Specifications


	EFQT	EFQU
Discharge Size/Connection	2 to 12 inch Flanged, 125# R.F. ANSI	3 to 6 inch Flanged, 125# R.F. ANSI
Range of HP	1 HP to 125 HP	1.5 HP to 75HP
Range of Performance Capacity: Head:	to 3400 GPM to 130 feet	1500 GPM to 210 feet
Maximum Solid Diameter	3 inch	1.25 inch
Speed	650 to 2150 RPM	
Standard Materials Casing Impeller Wear Plate Cover Plate Shaft Bearing Housing Flap Valve Seal Sleeve Flanges O-rings	Cast Iron A48 CL 30 Ductile iron A 60-40-18 Carbon Steel SAE 1020 Cast Iron A48 CL 30 Alloy Steel 4140 Cast Iron A48 CL 30 Reinforced Neoprene 316 Stainless Steel Cast Iron A48 CL 30 Buna	
Mechanical Seal	Tungsten Carbide/Tungsten Carbide, Viton, 316 Stainless Steel	
Options	Base-plate mounting, coupling guards Horizontal V -belt Vertical V- belt Flex coupled TEFC or OPD motors Diesel Engine operation, trailer or skid mounted NPT Threaded suction and discharge connections	

**Note: Alternate construction materials available on request including 304ss, and 316ss.*

Illinois Location:
(847) 841-7867
860 Church Rd Elgin, IL 60123

Minnesota Location:
(651) 758-7867
330 Mill Bay South Suite 1511
Afton, MN 55001

PumpSupplyInc.com





EBARA Self Priming Trash Pump**EFQT/EFQU****Specifications - EFQ****1. General:**

The pump(s) provided by Ebara are designed to provide maximum up time and ease of maintenance. They shall be horizontal, radial split, single stage, single suction and of a self priming design. The rotating element will be of back pullout design which can be removed without disturbing the flanged piping connections. The suction flange (front of casing) and discharge flange (top of casing) shall have a minimum rating of 125#.

a. CASING: The pump casing will be a material minimum of Grade A48, CI 30 Cast Iron. Mounting feet will be integrally cast and sized to prevent tipping. Castings shall be smooth surfaces and free of blow holes and other casting irregularities.

The casing cover plate (top) used for filling will be 3 ½" in diameter and will be opened with a threaded hand clamp bar assembly.

Casing drain plug will be a minimum of 1-1/4" NPT for complete and rapid draining.

The front cover plate must be of sufficient size to permit removal of stoppages and allow service to the impeller, wear plate, and check valve without removing the suction or discharge piping. The cover plate is fitted with a handle for ease of maintenance. A pressure relief valve will be mounted on the front cover plate and designed to open at 75-200 psi.

The suction and discharge spool flanges shall be of one piece design and each fitted with a 1/4" NPT tapped holes with pipe plugs suitable for mounting gages and other equipment as desired.

The bearing housing will contain a fill plug and a sight gage for ease of monitoring oil level.

An integral suction check valve shall be provided, made of reinforced neoprene. The function of the check valve is to prevent reprime after every cycle, thereby, saving energy.

b. IMPELLER: The impeller shall be Ductile Iron A 60-40-18, single suction type, semi-open, non-clog type and threaded to the shaft and positively locked in position. The impeller shall be dynamically balanced and clearance shall be adjusted externally without use of shims or the dismantling of the pump. External clearance adjustment optimizes pump efficiency while extending the life of the impeller and the wear plate. Adjustment can be made with an Allen wrench (or equivalent). The impeller will be positively driven through a key mounted on the shaft.

The Model EFQT impeller is designed to handle solids up to 3" and the Model EFQU up to 1.25".

c. SHAFT: The heavy duty shaft is made of Alloy Steel 4140 and designed such that the minimum shaft deflection does not exceed .002 at the stuffing box.

d. SLEEVES: The shaft sleeves shall be of high quality Stainless steel material and sealed with o-ring to prevent leakage between the shaft and sleeve.

e. BEARINGS: Inboard and outboard bearings shall be anti-friction ball type, single or double row depending on pump model. Bearings shall be deep groove arranged for radial and / or axial loads as required by model configuration. Both sets of bearings shall be lubricated from a common reservoir.

f. MECHANICAL SEALS: Shaft seal faces shall be oil lubricated and the face material shall be TC/TC. The cage and spring shall be made of stainless steel and the elastomers shall be Viton.

g. BASE: Pump and motor/drive assembly shall be mounted on a common fabricated steel baseplate.

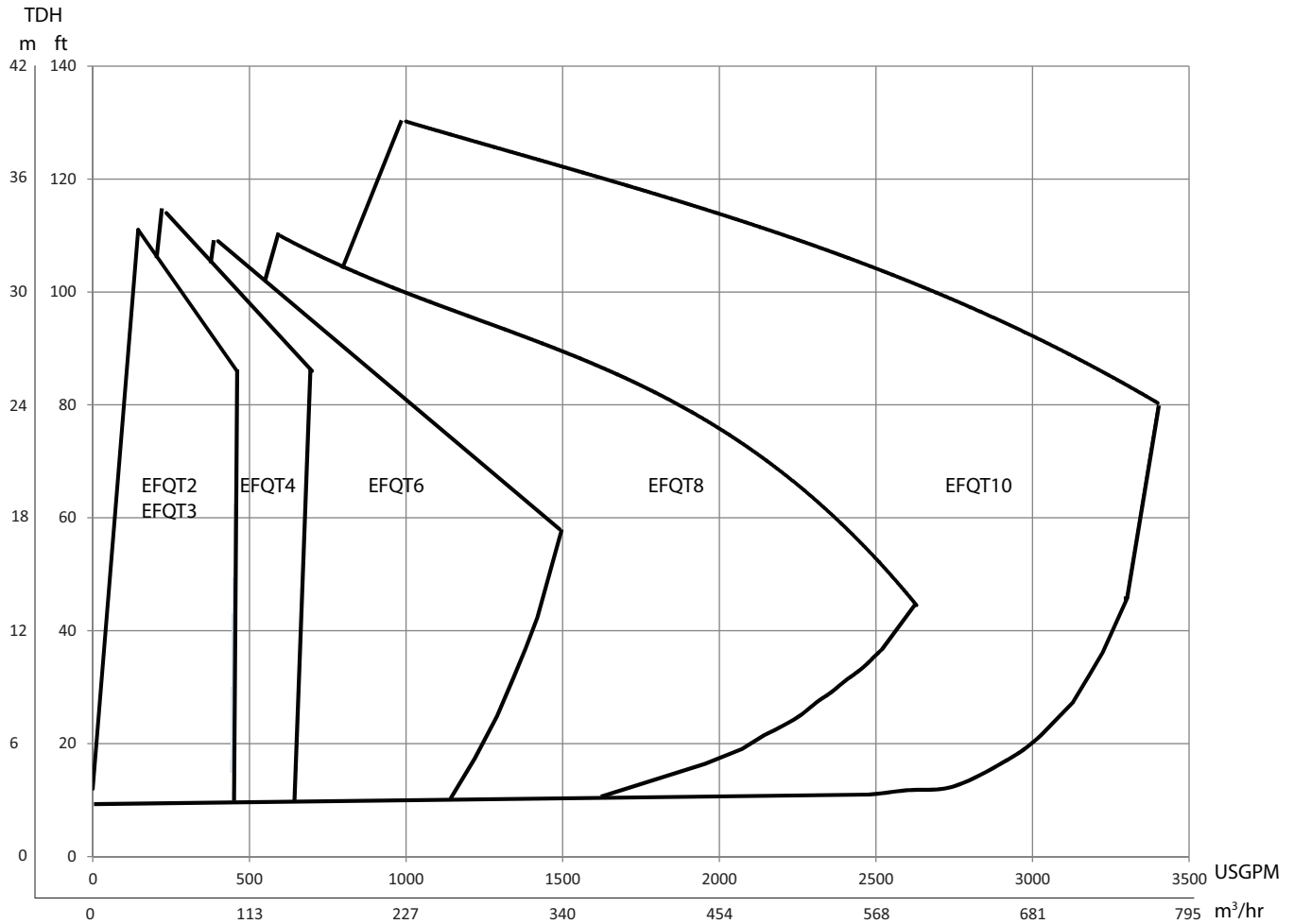


EBARA Self Priming Trash Pump

EFQT/EFQU

Selection Chart - EFQT

Model EFQT
Selection chart





EFQT12 - Please consult Factory

Illinois Location:
(847) 841-7867
860 Church Rd Elgin, IL 60123

Minnesota Location:
(651) 758-7867
330 Mill Bay South Suite 1511
Afton, MN 55001

PumpSupplyInc.com

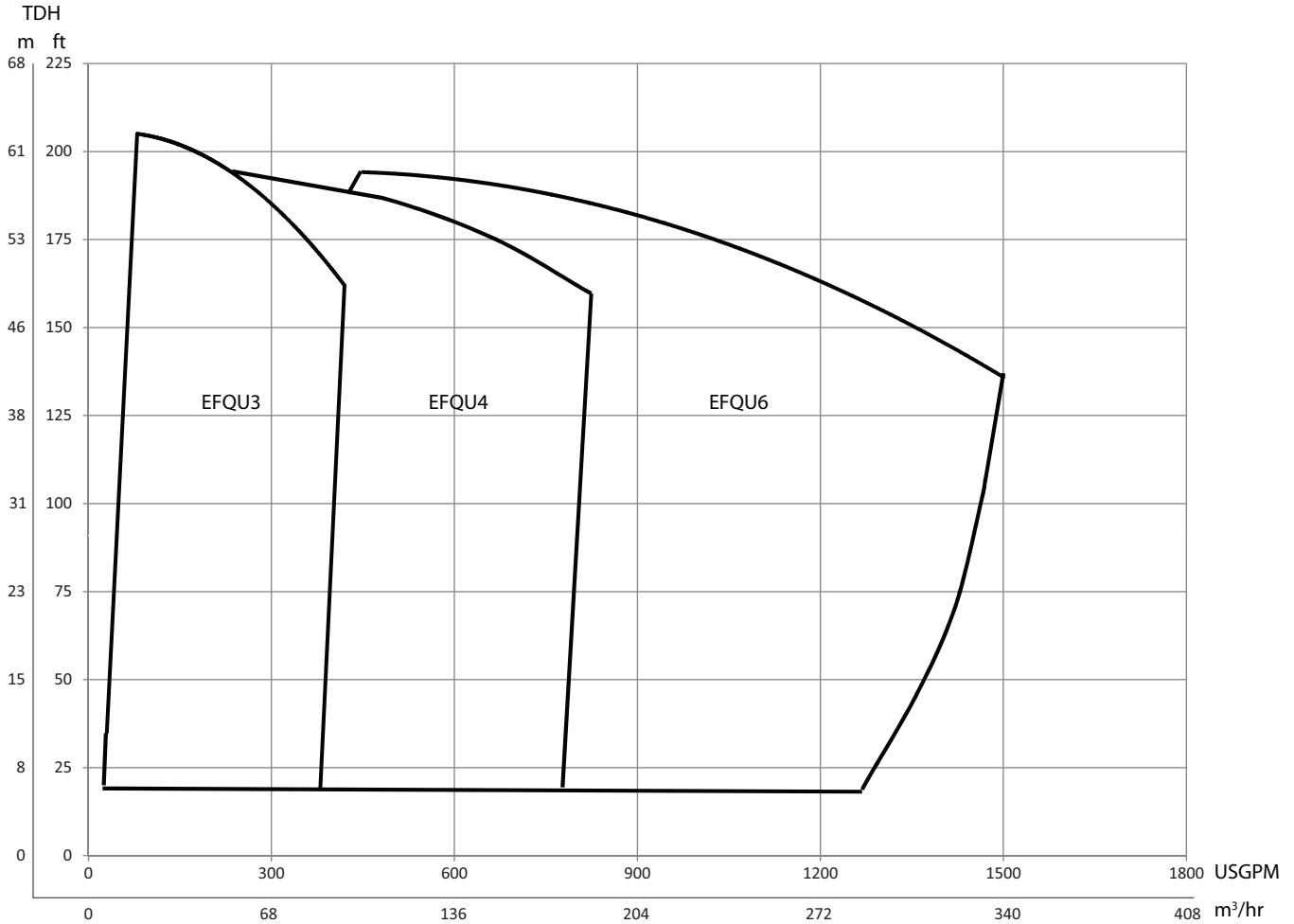


EBARA Self Priming Trash Pump

EFQT/EFQU

Selection Chart - EFQU



Model EFQU
Selection chart



Illinois Location:
(847) 841-7867
860 Church Rd Elgin, IL 60123

Minnesota Location:
(651) 758-7867
330 Mill Bay South Suite 1511
Afton, MN 55001

PumpSupplyInc.com

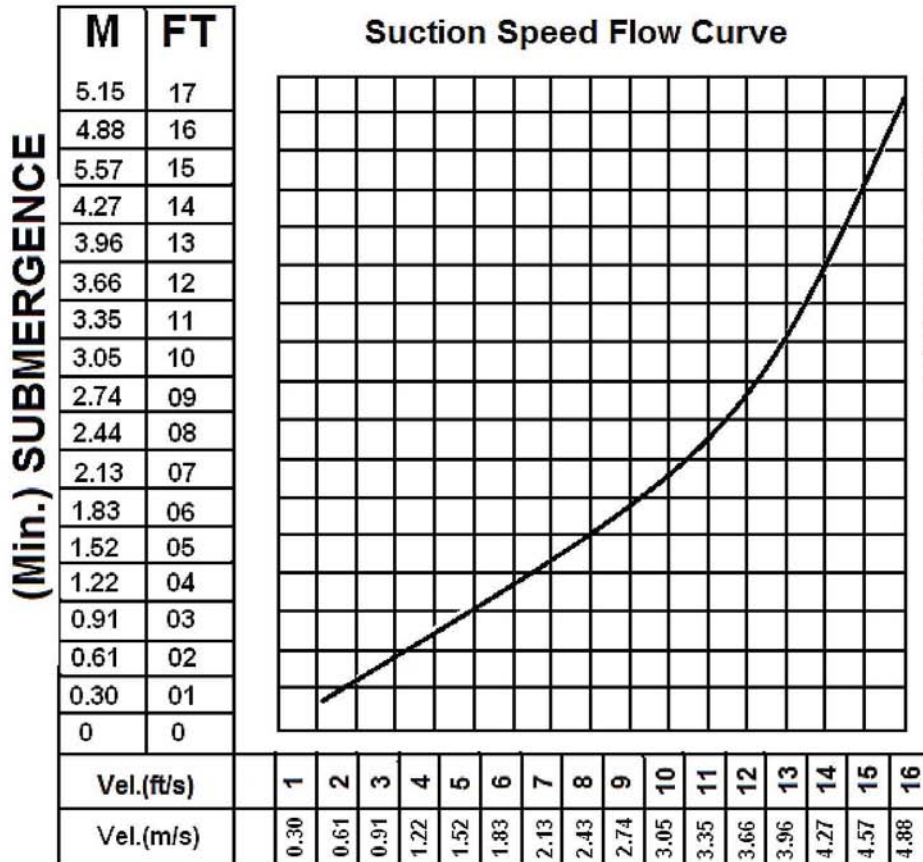
PUMP SUPPLY
INCORPORATED



EBARA Self Priming Trash Pump

EFQT/EFQU

Suction Speed Flow Curve



NOTE # 1:

The suggested suction should have the same nominal diameter as the pump, so that the solids will be totally swept up.

NOTE # 2:

If the speed is higher than (3.5 m/s) 11.5-ft and if there is a need for "Higher NPSH", contact the factory.

Illinois Location:
 (847) 841-7867
 860 Church Rd Elgin, IL 60123

Minnesota Location:
 (651) 758-7867
 330 Mill Bay South Suite 1511
 Afton, MN 55001

PumpSupplyInc.com

PS **PUMP SUPPLY**
INCORPORATED



EBARA Self Priming Trash Pump

EFQT/EFQU

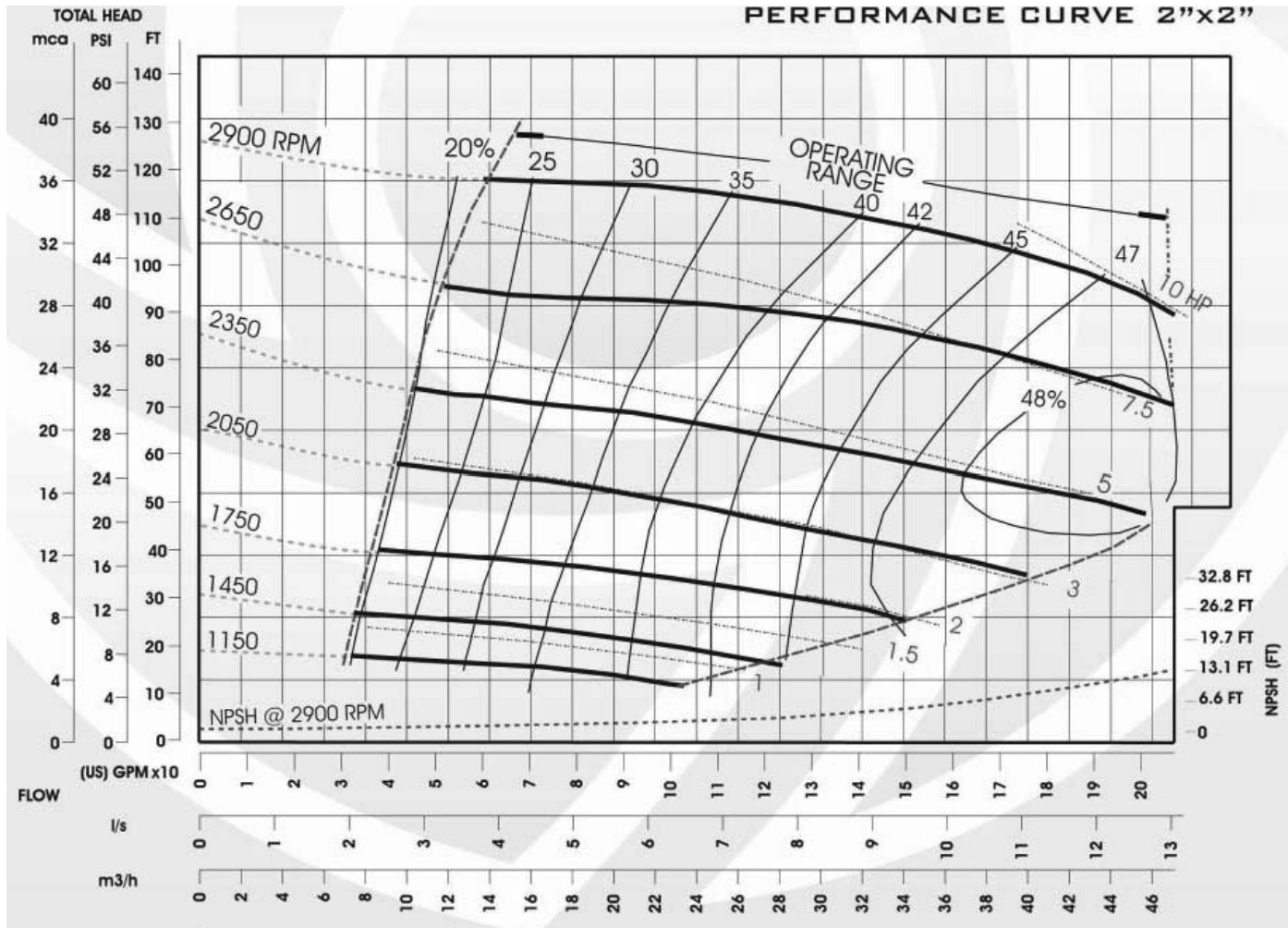
Performance Curves

Project: _____ GPM: _____ TDH: _____ EFF: _____ HP: _____ Chk'd: _____ Date: _____

EFQT2

Impeller Diameter: 6.38"

S.G.: 1.0



Data Sheet

Net Weight: 203 lbs. (92kg)
 Shipping Weight: 252 lbs. (114kg)
 Impeller Dia.: 6-1/4" (158.75mm)
 R.P.M.: From 1150 RPM to 2900 RPM
 Max. Solids: 1-3/4" (44.45mm)



**PUMP SUPPLY
INCORPORATED**

Repriming Lifts

RPM	1150	1450	1750	2050	2350	2550	2650
FEET	24	25	25	25	25	25	25
METERS	7.3	7.6	7.6	7.6	7.6	7.6	7.6

Figure NPSH prior to using above chart. DO NOT use as NPSH Suction Lift.
 1.75" Dia. Max. Spherical Solids.



EBARA Self Priming Trash Pump

EFQT/EFQU

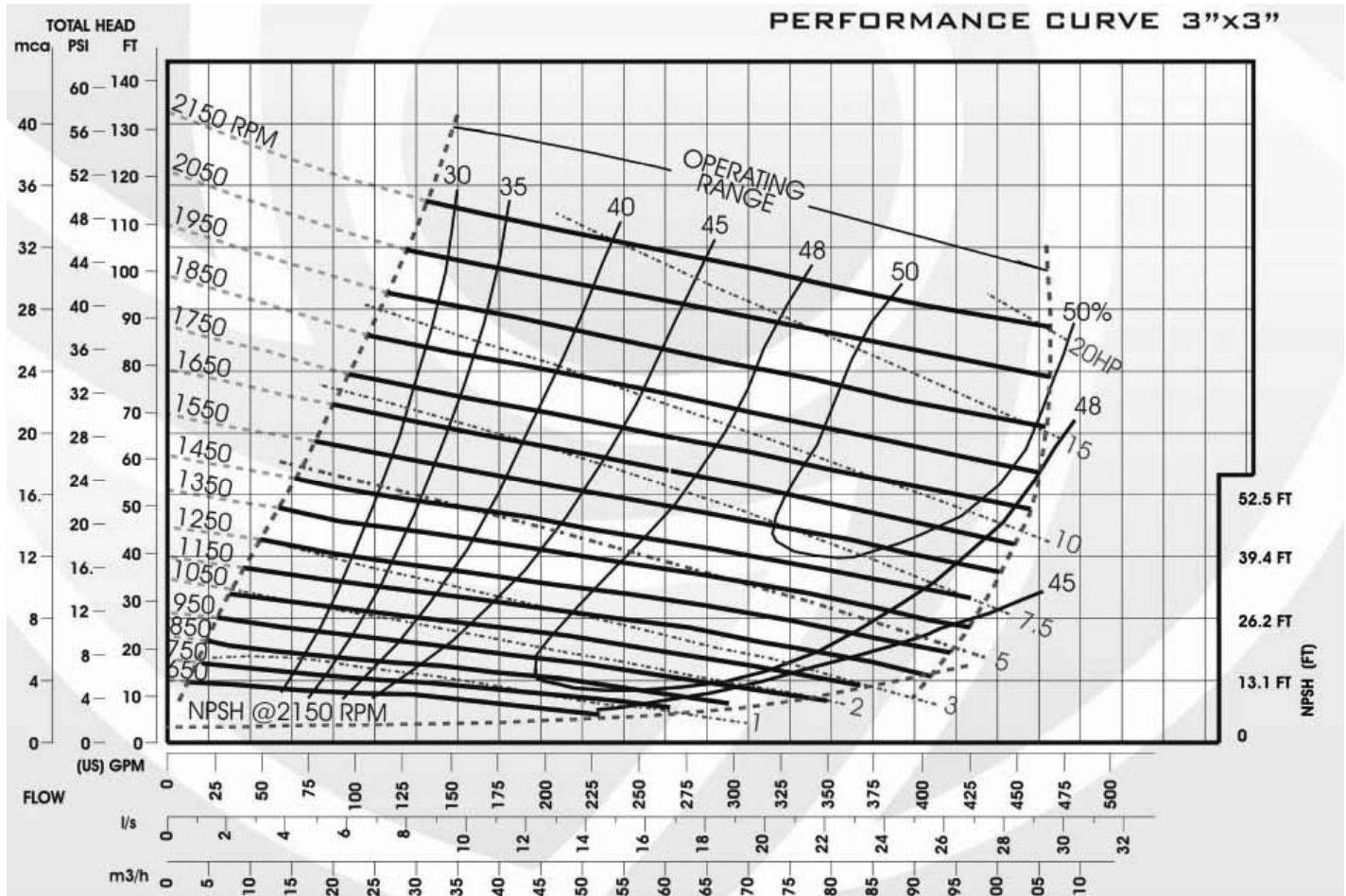
Performance Curves

Project: _____ GPM: _____ TDH: _____ EFF: _____ HP: _____ Chk'd: _____ Date: _____

EFQT3

Impeller Diameter: 8.75"

S.G.: 1.0



Data Sheet

Net Weight: 404 lbs. (183kg)
 Shipping Weight: 452 lbs. (205kg)
 Impeller Dia.: 8-3/4" (222.3mm)
 R.P.M.: From 650 RPM to 2150 RPM
 Max. Solids: 2-1/2" (63.5mm)



**PUMP SUPPLY
INCORPORATED**

Repriming Lifts

RPM	650	750	850	950	1050	1150	1250	1350	1450	1550	1650-1750	1850-2150
FEET	5	5	8	10	13	16	18	19	20	21	22	25
METERS	1.5	1.8	2.4	3.1	4.0	4.9	5.5	5.8	6.1	6.4	6.7	7.6

Figure NPSH prior to using above chart. DO NOT use as NPSH Suction Lift.
 2.5" Dia. Max. Spherical Solids.



EBARA Self Priming Trash Pump

EFQT/EFQU

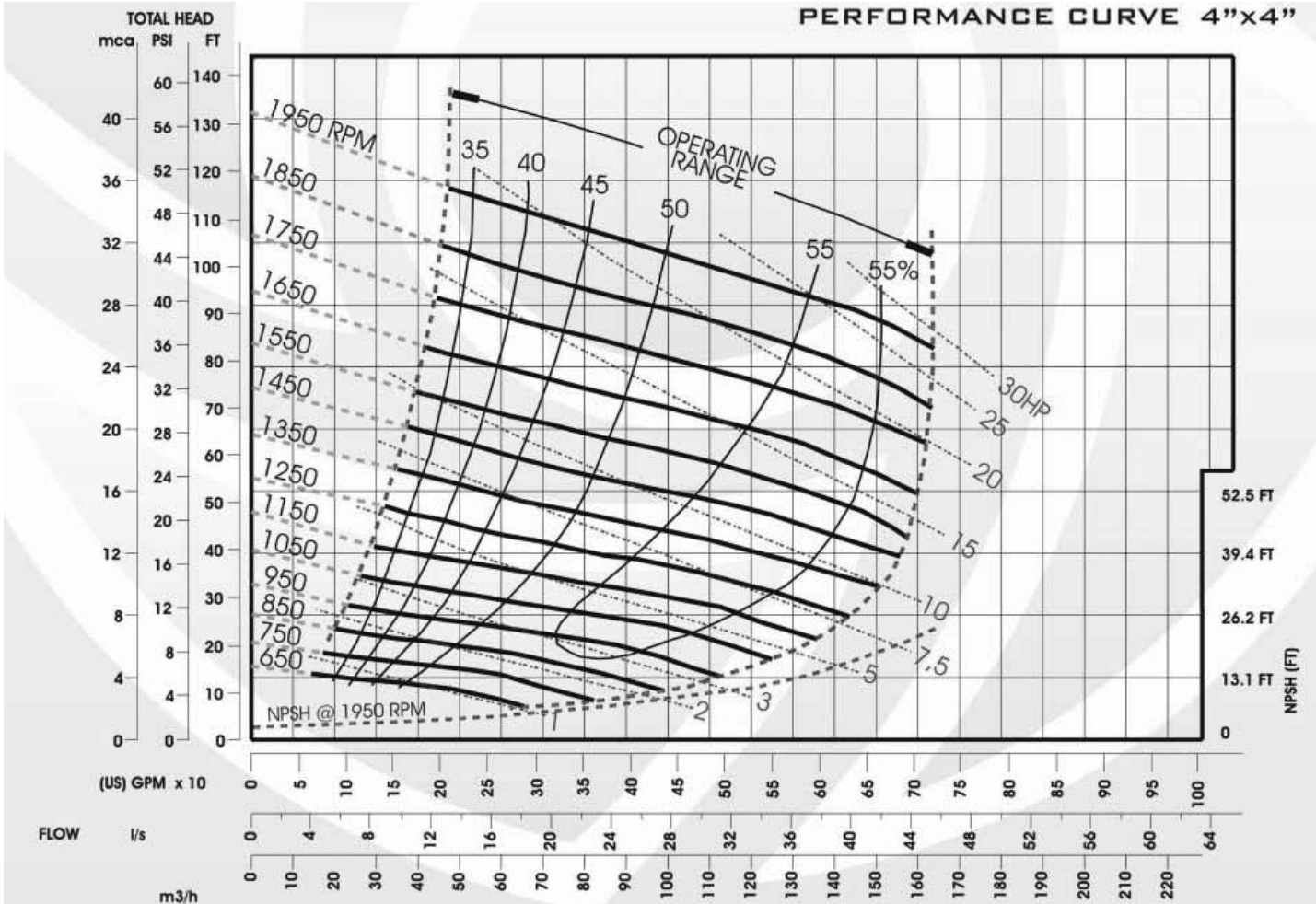
Performance Curves

Project: _____ GPM: _____ TDH: _____ EFF: _____ HP: _____ Chk'd: _____ Date: _____

EFQT4

Impeller Diameter: 9.75"

S.G.: 1.0



Data Sheet

Net Weight: 600 lbs. (295.5kg)
 Shipping Weight: 655 lbs. (280kg)
 Impeller Dia.: 9-3/4" (247.65mm)
 R.P.M.: From 650 RPM to 1950 RPM
 Max. Solids: 3" (76.2mm)



Repriming Lifts

RPM	650	750	850	950	1050	1150	1250-1950
FEET	5	8	16	19	22	24	25
METERS	1.5	2.4	4.9	5.8	6.7	7.3	7.6

Figure NPSH prior to using above chart. DO NOT use as NPSH Suction Lift.

3.0" Dia. Max. Spherical Solids.



EBARA Self Priming Trash Pump

EFQT/EFQU

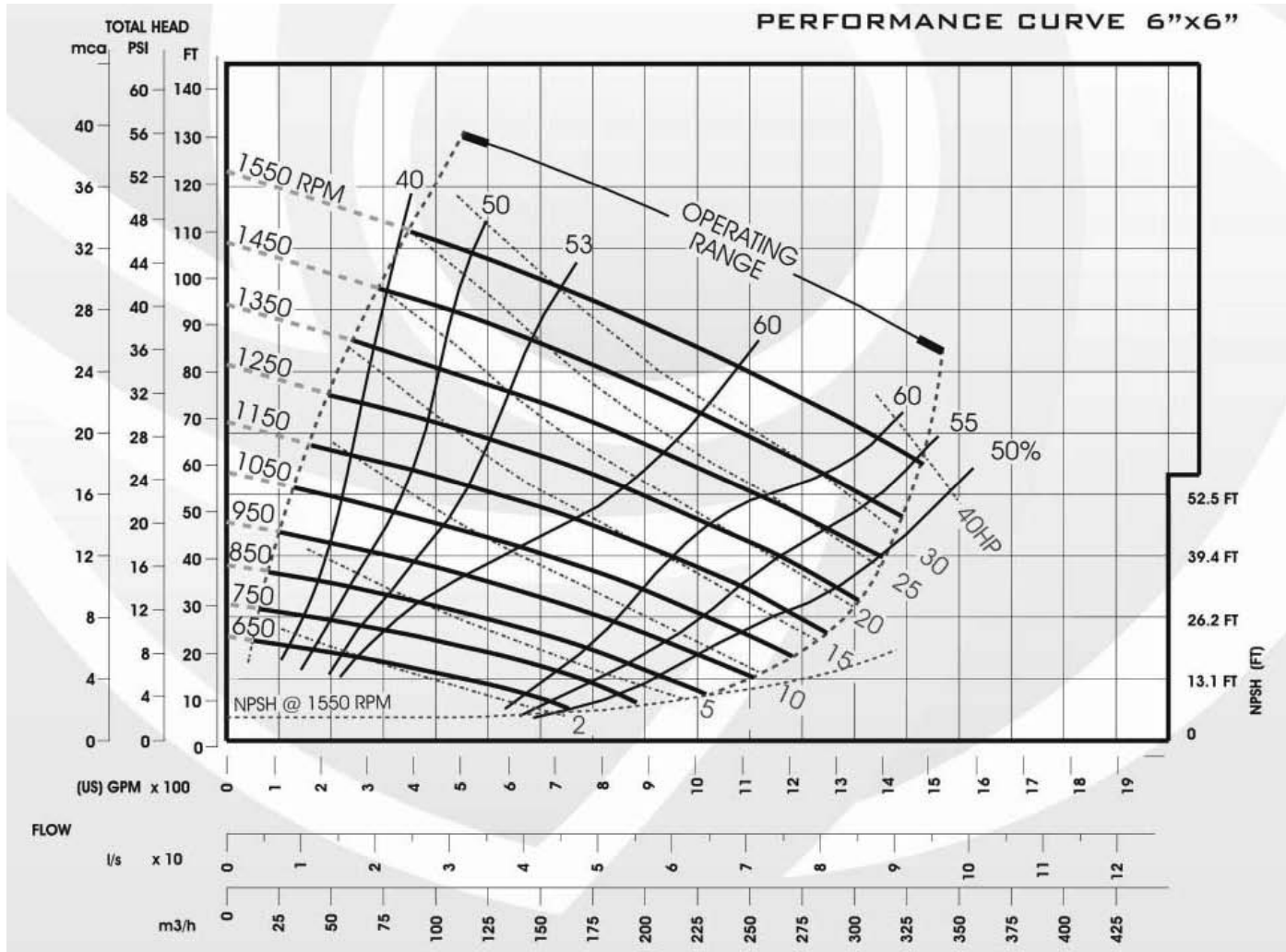
Performance Curves

Project: _____ GPM: _____ TDH: _____ EFF: _____ HP: _____ Chk'd: _____ Date: _____

EFQT6

Impeller Diameter: 12.375"

S.G.: 1.0



Data Sheet

Net Weight: 802 lbs. (364kg)
 Shipping Weight: 862 lbs. (391kg)
 Impeller Dia.: 12-3/8" (314.32mm)
 R.P.M.: From 650 RPM to 1550 RPM
 Max. Solids: 3" (76.2mm)



Repriming Lifts

RPM	650	750	850	950	1050	1150-1250	1350	1450	1550
FEET	8	9	12	14	18	21	22	23	25
METERS	2.4	2.7	3.7	4.2	5.5	6.4	6.7	7.0	7.6

Figure NPSH prior to using above chart. DO NOT use as NPSH Suction Lift.
 3.0" Dia. Max. Spherical Solids.



EBARA Self Priming Trash Pump

EFQT/EFQU

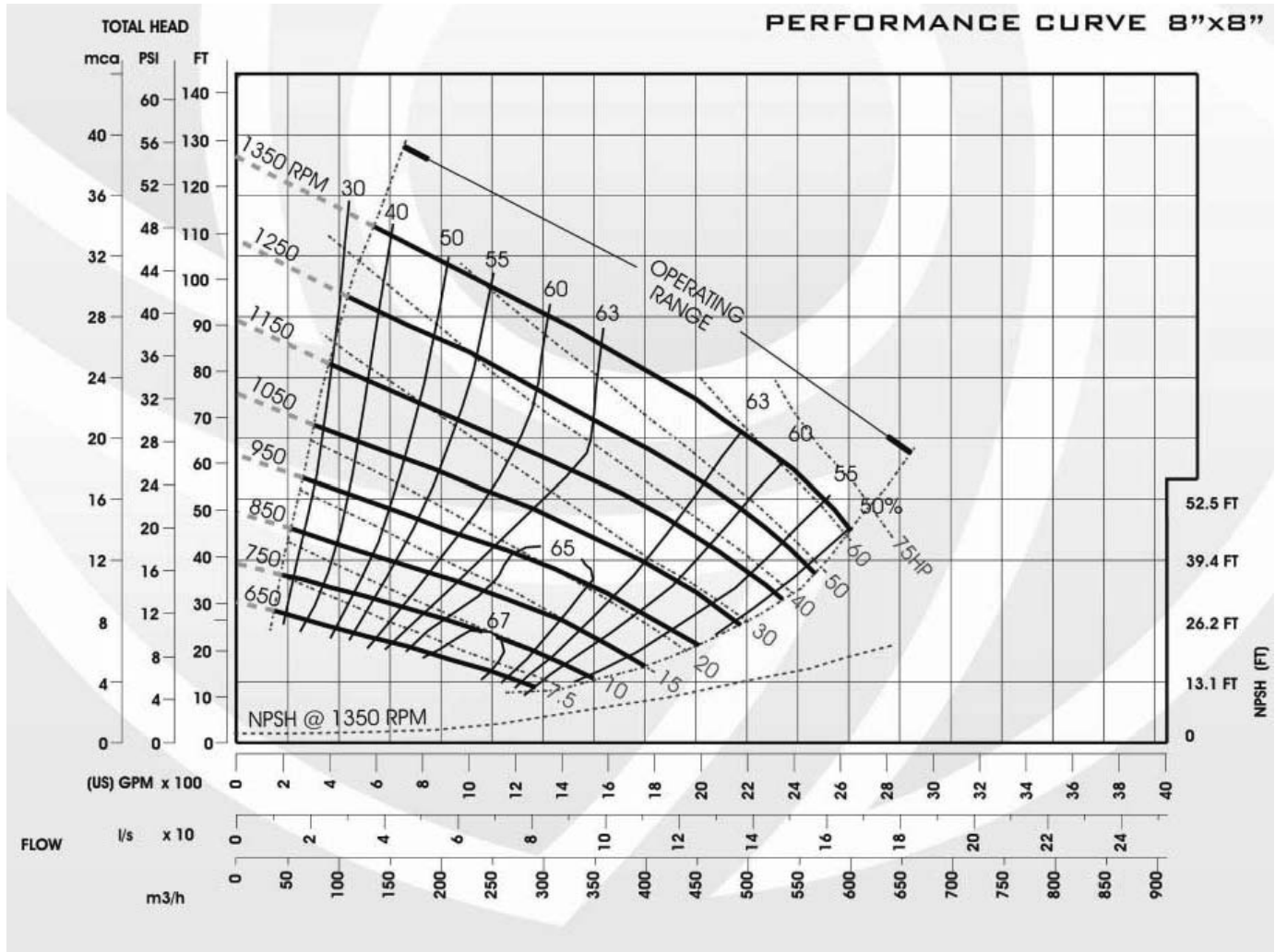
Performance Curves

Project: _____ GPM: _____ TDH: _____ EFF: _____ HP: _____ Chk'd: _____ Date: _____

EFQT8

Impeller Diameter: 14.75"

S.G.: 1.0



Data Sheet

Net Weight: 1129 lbs. (581kg)
 Shipping Weight: 1399 lbs. (634kg)
 Impeller Dia.: 14-3/4" (374.65mm)
 R.P.M.: From 650 RPM to 1350 RPM
 Max. Solids: 3" (76.2mm)



Repriming Lifts

RPM	650	750	850	950	1050	1150	1250	1350
FEET	9	12	15	17	20	21	22	23
METERS	2.7	3.7	4.6	5.2	6.1	6.4	6.7	7.0

Figure NPSH prior to using above chart. DO NOT use as NPSH Suction Lift.
 3.0" Dia. Max. Spherical Solids.



EBARA Self Priming Trash Pump

EFQT/EFQU

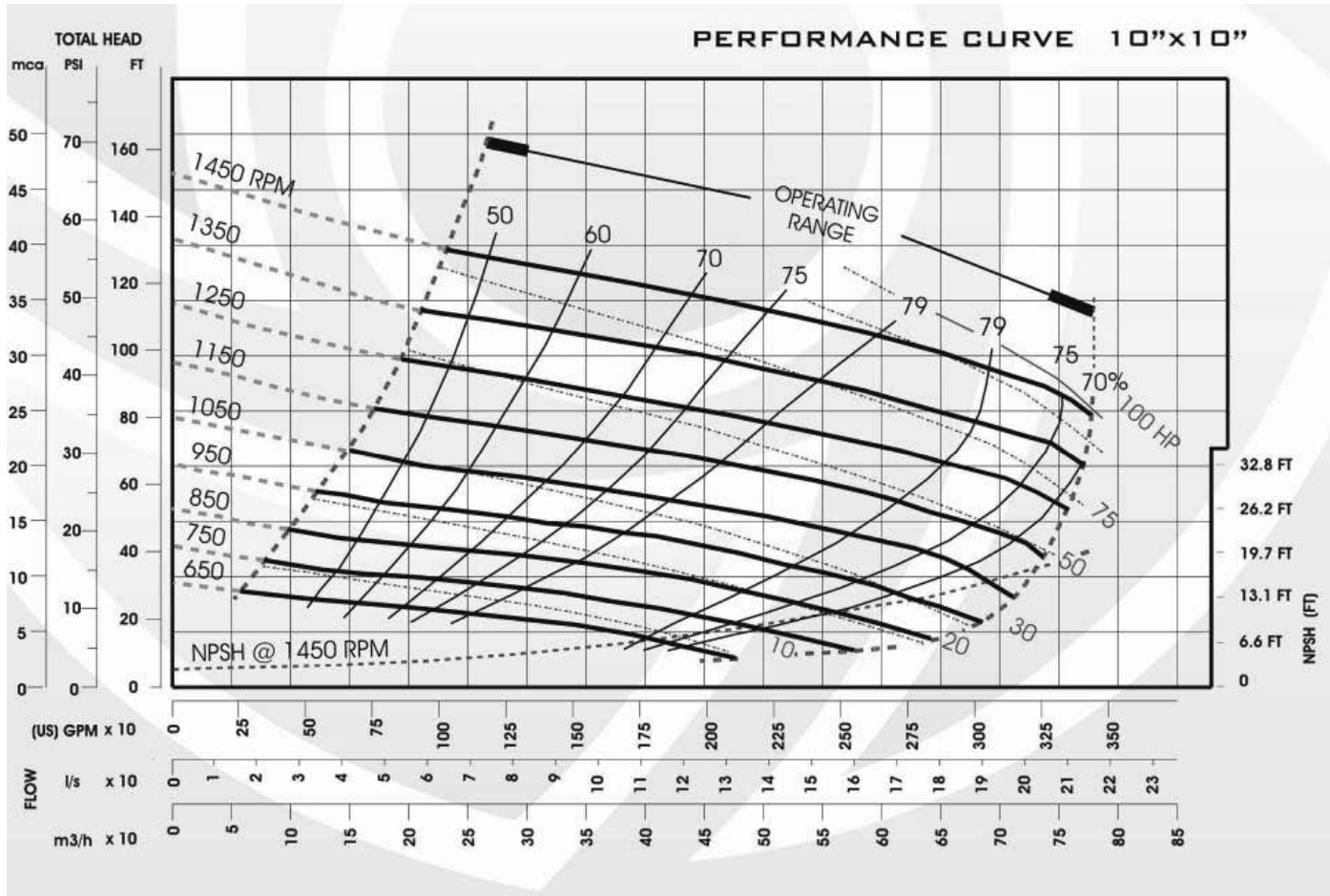
Performance Curves

Project: _____ GPM: _____ TDH: _____ EFF: _____ HP: _____ Chk'd: _____ Date: _____

EFQT10

Impeller Diameter: 14.75"

S.G.: 1.0



Data Sheet

Net Weight: 1400 lbs. (635kg)
 Shipping Weight: 1461 lbs. (663kg)
 Impeller Dia.: 14-3/4" (374.65mm)
 R.P.M.: From 650 RPM to 1450 RPM
 Max. Solids: 3" (76.2mm)



Repriming Lifts

RPM	650	750	850	950	1050	1150	1350-1450
FEET	7	11	14	17	19	18	22
METERS	2.1	3.4	4.3	5.2	5.5	5.5	6.7

Figure NPSH prior to using above chart. DO NOT use as NPSH Suction Lift.
 3.0" Dia. Max. Spherical Solids.



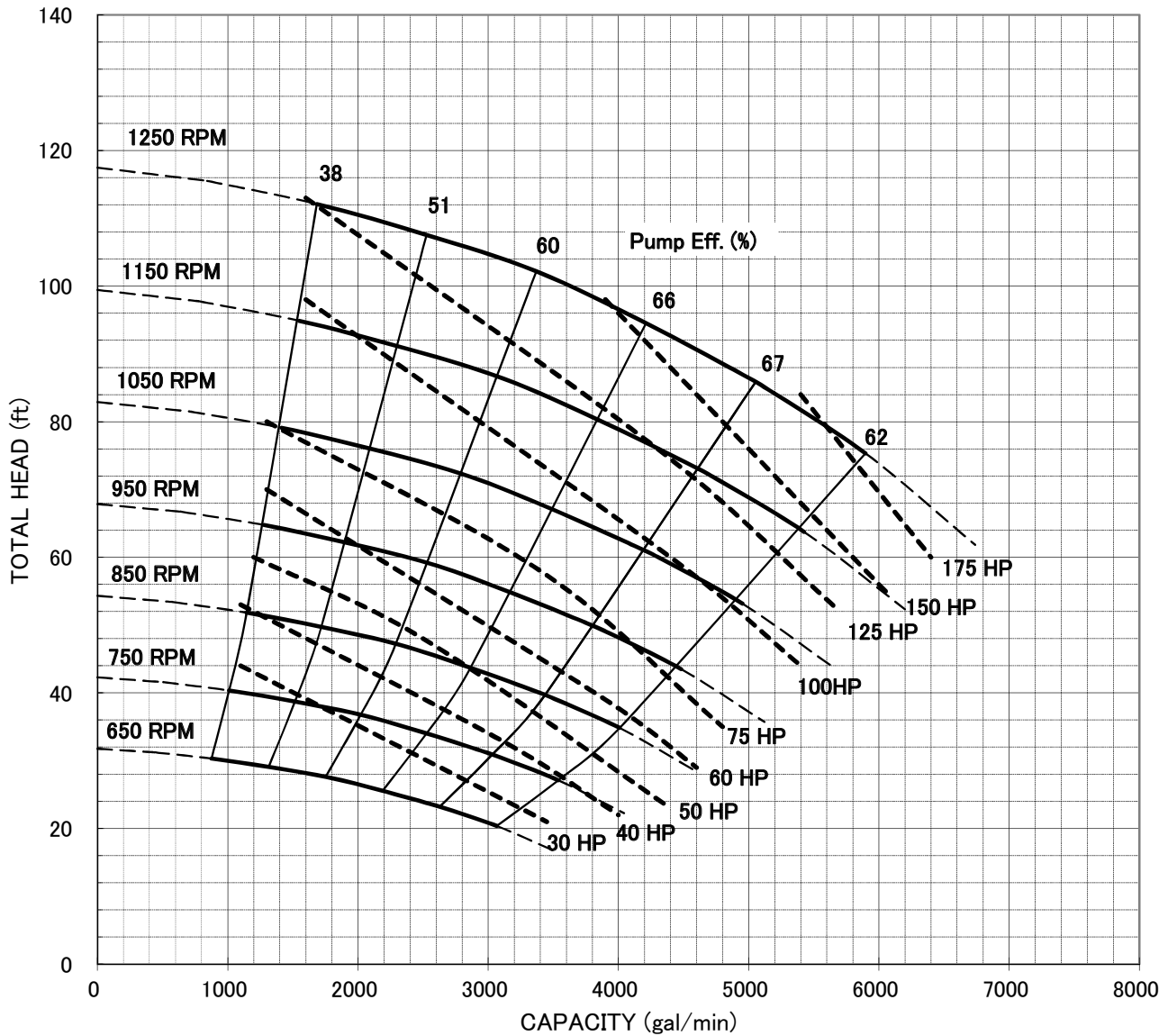
EBARA Self Priming Trash Pump

EFQT/EFQU

Performance Curves

Project: _____ GPM: _____ TDH: _____ EFF: _____ HP: _____ Chk'd: _____ Date: _____

EFQT12



Data Sheet
 Net Weight: 2,860 lbs. (1,300kg)
 Impeller Dia: 16-1/16" (405mm)
 R.P.M.: From 650 RPM to 1250 RPM
 Max. Solids: 2-1/2" (65mm)

Repriming Lifts

RPM	650	750	850	950	1050	1150	1250
Feet	13.1	14.1	15.4	16.4	16.7	17.4	18.0
Meters	4	4.3	4.7	5	5.1	5.3	5.5



PUMP SUPPLY
 INCORPORATED

EBARA Self Priming Trash Pump

EFQT/EFQU

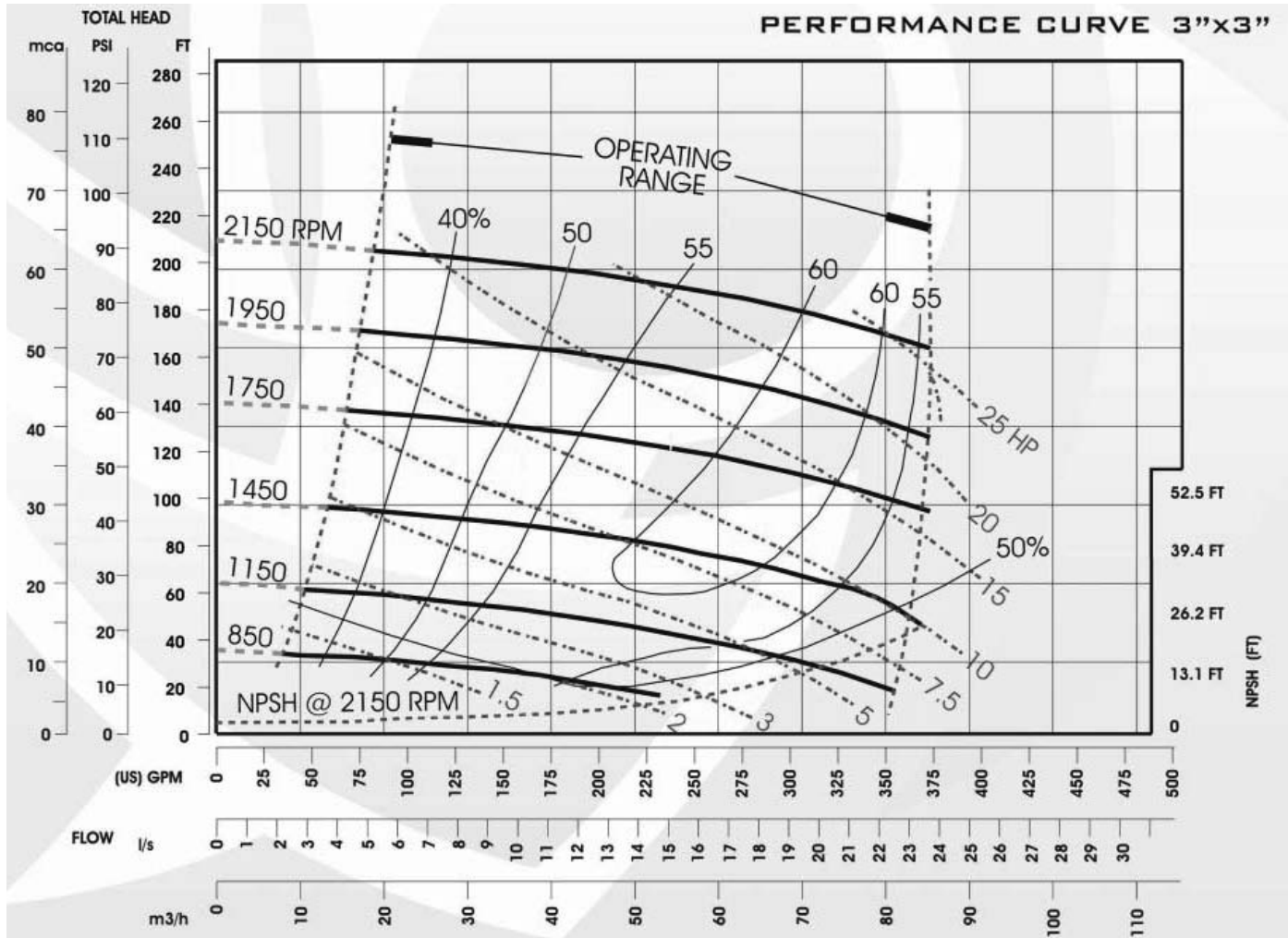
Performance Curves

Project: _____ GPM: _____ TDH: _____ EFF: _____ HP: _____ Chk'd: _____ Date: _____

EFQU3

Impeller Diameter: 11"

S.G.: 1



Data Sheet

Net Weight: 472 lbs. (214 kg)
 Shipping Weight: 497 lbs. (225 kg)
 Impeller Dia.: 11" (279.4mm)
 R.P.M.: From 850 RPM to 2150 RPM
 Max. Solids: 13/16" (20.63mm)



**PUMP SUPPLY
 INCORPORATED**

Repriming Lifts

RPM	850	1150	1450	1750-2150
FEET	7	9	15	25
METERS	2.3	2.9	4.5	7.6

Figure NPSH prior to using above chart. DO NOT use as NPSH Suction Lift.
 13/16" Dia. Max. Spherical Solids.



EBARA Self Priming Trash Pump

EFQT/EFQU

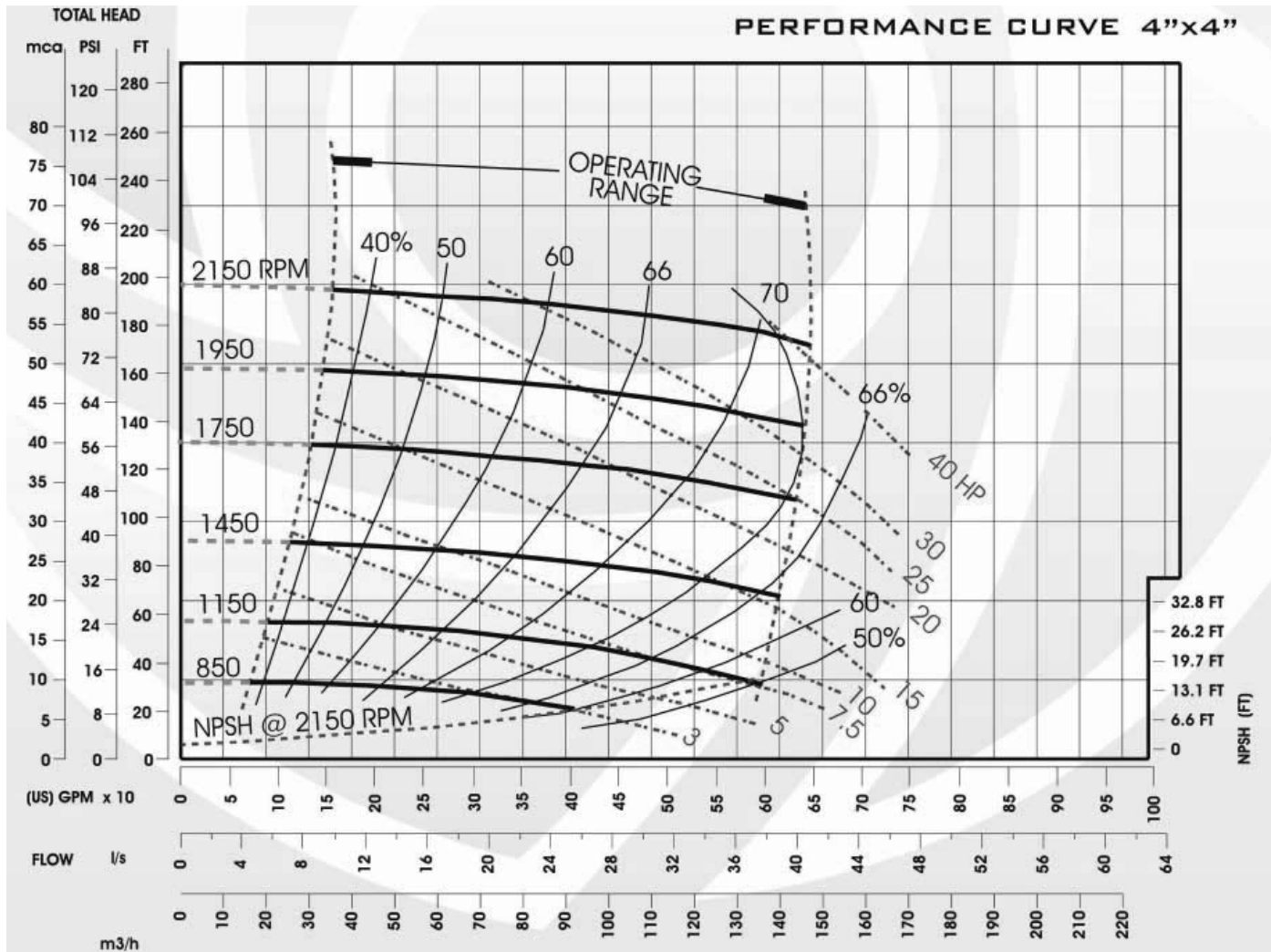
Performance Curves

Project: _____ GPM: _____ TDH: _____ EFF: _____ HP: _____ Chk'd: _____ Date: _____

EFQU4

Impeller Diameter: 11"

S.G.: 1



Data Sheet

Net Weight: 600 lbs. (272 kg)
 Shipping Weight: 655 lbs. (297 kg)
 Impeller Dia.: 11" (279.4mm)
 R.P.M.: From 850 RPM to 2150 RPM
 Max. Solids: 1 1/8" (28.57mm)



**PUMP SUPPLY
 INCORPORATED**

Repriming Lifts

RPM	850	1150	1450	1750	1950	2150
FEET	5	10	12	13	15	17
METERS	1.6	3.0	3.6	3.9	4.5	5.2

Figure NPSH prior to using above chart. DO NOT use as NPSH Suction Lift.
 1.12" Dia. Max. Spherical Solids.



EBARA Self Priming Trash Pump

EFQT/EFQU

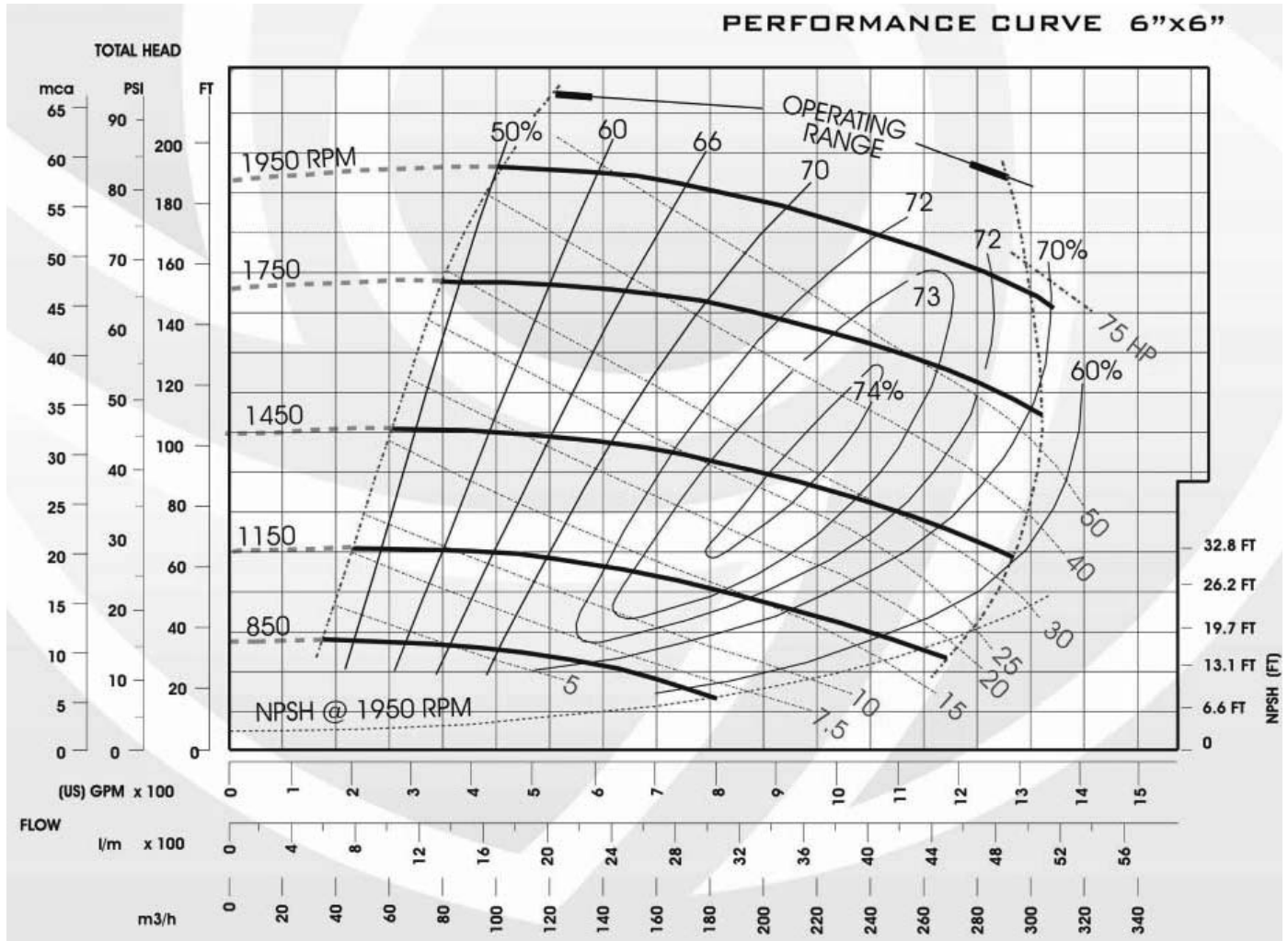
Performance Curves

Project: _____ GPM: _____ TDH: _____ EFF: _____ HP: _____ Chk'd: _____ Date: _____

EFQU6

Impeller Diameter: 12.5"

S.G.: 1



Data Sheet

Net Weight: 910 lbs. (413 kg)
 Shipping Weight: 965 lbs. (437 kg)
 Impeller Dia.: 12 1/2" (317.5mm)
 R.P.M.: From 850 RPM to 1950 RPM
 Max. Solids: 1 1/4" (31.75mm)



**PUMP SUPPLY
INCORPORATED**

Repriming Lifts

RPM	850	1150	1450	1750-1950
FEET	8	10	14	15
METERS	2.4	3.0	4.2	4.5

Figure NPSH prior to using above chart. DO NOT use as NPSH Suction Lift.
 1.25" Dia. Max. Spherical Solids.



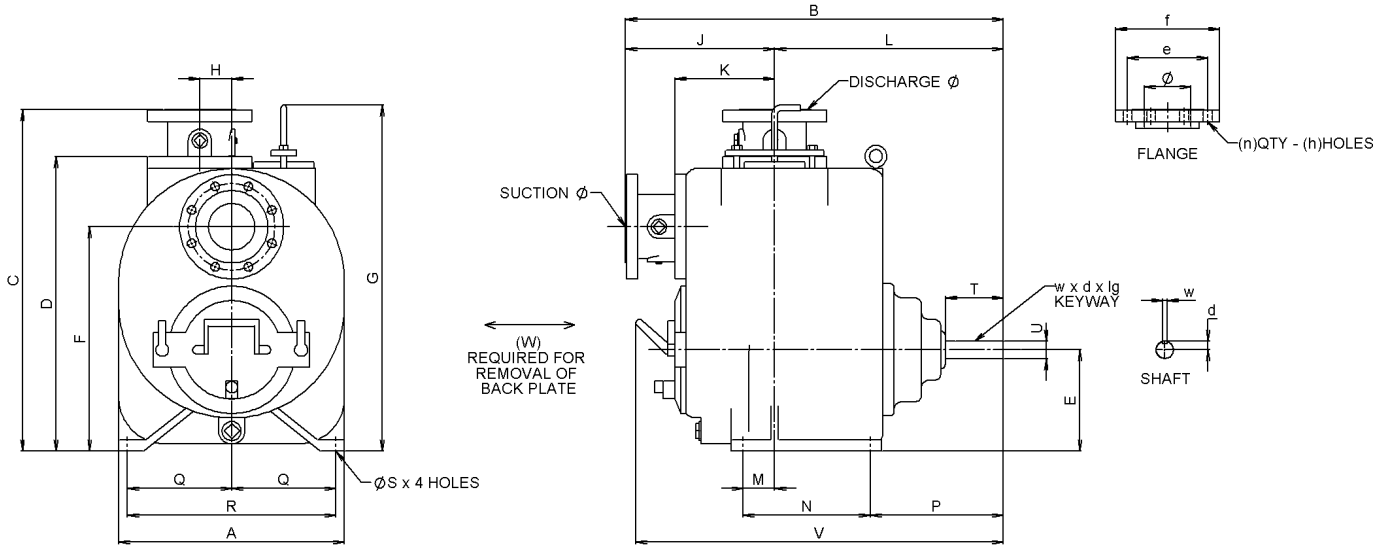
EBARA Self Priming Trash Pump

EFQT/EFQU

Dimensions

Project: _____ Model: _____ Chk'd: _____ Date: _____

Model EFQT 2, 3, 4, 6



Unit: inches

SIZE Ø	MODEL	PUMP																				
		A	B	C	D	E	F	G	H	J	K	L	M	N	P	Q	R	S	T	U	V	W
2	EFQT2	12 1/8	24 7/16	21	16 3/4	5 15/16	12 5/8	21 9/16	2 3/4	9 7/16	6	15	2 3/8	6 1/2	10 7/8	5 1/2	11	9/16	4 1/8	1 1/2	23 5/16	18 1/4
3	EFQT3	17	28	27 1/4	21 7/8	7 1/2	17 1/4	26 7/8	2 5/8	11 7/8	7 1/4	17 1/8	3	9	11 1/8	7 3/4	15 1/2	11/16	4 1/16	1 1/2	27 1/2	18 1/4
4	EFQT4	19 1/2	32 5/8	29 1/2	25 7/16	8 3/4	19 3/8	29 7/8	2 3/4	12 7/8	8 5/8	19 3/4	2 3/4	11	11 1/2	9	18	11/16	5	1 1/2	31 3/4	18 1/4
6	EFQT6	22 5/8	34 9/16	34 13/16	29 3/4	10 1/4	22 9/16	34 9/16	2 9/16	14 15/16	10 1/4	19 5/8	3 3/8	11	12	10 3/8	20 3/4	3/4	5	1 1/2	33 1/8	18 1/4

NOTE: For models with raised-face flanges, dimensions are taken from the raised face.

Unit: mm

SIZE Ø	MODEL	PUMP																				
		A	B	C	D	E	F	G	H	J	K	L	M	N	P	Q	R	S	T	U	V	W
2	EFQT2	308	621	533	425	151	321	548	70	240	152	381	60	165	276	140	279	14	105	38	592	464
3	EFQT3	432	699	692	556	191	438	683	67	302	184	435	76	229	283	197	394	17	103	38	699	464
4	EFQT4	495	829	749	646	222	492	759	70	327	219	502	70	279	292	229	457	17	127	38	806	464
6	EFQT6	575	878	884	756	260	573	878	65	379	260	498	86	279	305	264	527	19	127	38	841	464

NOTE: For models with raised-face flanges, dimensions are taken from the raised face.

Unit: inches

SIZE Ø	MODEL	TYPE	FLANGE				RAISED FACE	
			e	f	n	h	RAISED FACE	RAISED FACE
2	EFQT2	2" ANSI 150#	4 3/4	6	4	3/4	YES	3 5/8
3	EFQT3	3" ANSI 150#	6	7 1/2	4	3/4	NO	-
4	EFQT4	4" ANSI 150#	7 1/2	9	8	3/4	YES	6 3/16
6	EFQT6	6" ANSI 150#	9 1/2	11	8	7/8	YES	8 1/2

KEYWAY		
w	d	lg
3/8	3/16	3
3/8	3/16	3 3/4
3/8	3/16	4 1/8
3/8	3/16	3 7/8

Unit: mm

SIZE Ø	MODEL	TYPE	FLANGE				RAISED FACE	
			e	f	n	h	RAISED FACE	RAISED FACE
50	EFQT2	2" ANSI 150#	121	152	102	19	YES	92
80	EFQT3	3" ANSI 150#	152	191	102	19	NO	-
100	EFQT4	4" ANSI 150#	191	229	203	19	YES	157
150	EFQT6	6" ANSI 150#	241	279	203	22	YES	216

KEYWAY		
w	d	lg
10	5	76
10	5	95
10	5	105
10	5	98



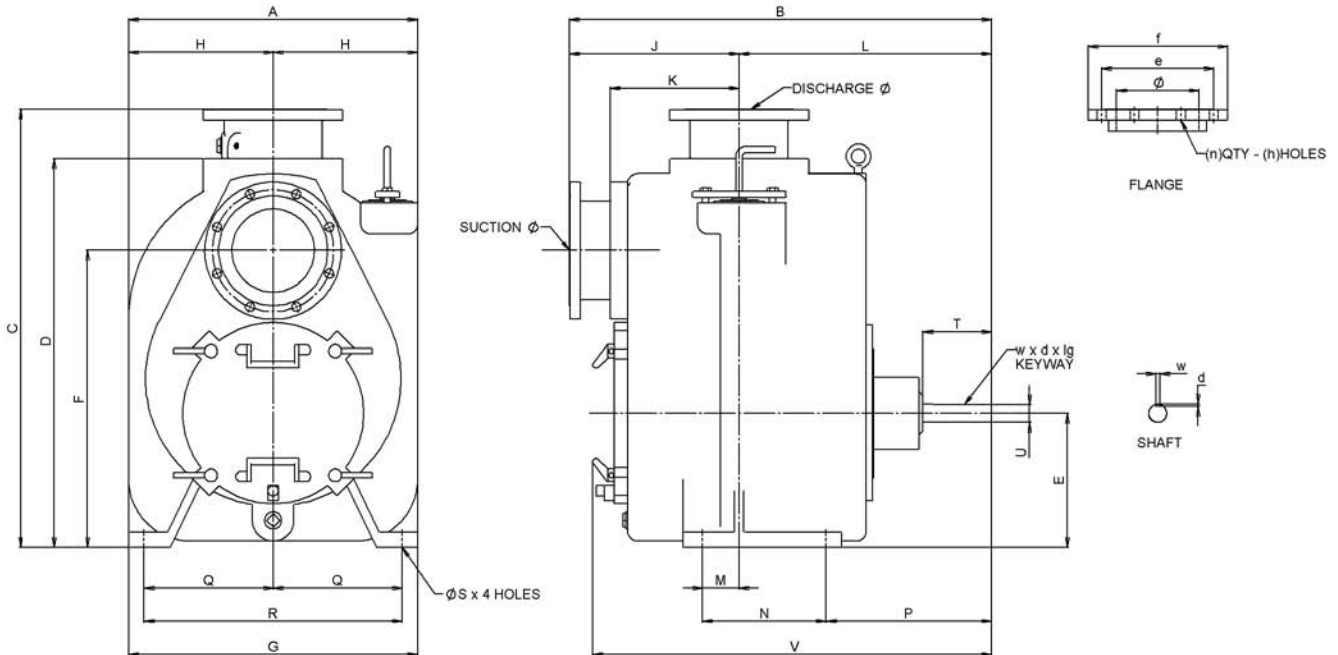
EBARA Self Priming Trash Pump

EFQT/EFQU

Dimensions

Project: _____ Model: _____ Chk'd: _____ Date: _____

Model EFQT 8



Unit: inches

SIZE Ø	MODEL	PUMP																				
		A	B	C	D	E	F	G	H	J	K	L	M	N	P	Q	R	S	T	U	V	W
8	EFQT8	28	40 7/8	42 3/8	37 9/16	13	28 11/16	28	14	16 7/16	12 1/2	24 7/16	3 9/16	12	16	12 1/2	25	7/8	6 5/8	1 3/4	38 5/8	24

NOTE: For models with raised-face flanges, dimensions are taken from the raised face.

Unit: mm

SIZE Ø	MODEL	PUMP																				
		A	B	C	D	E	F	G	H	J	K	L	M	N	P	Q	R	S	T	U	V	W
8	EFQT8	711	1038	1076	954	330	729	711	14	418	318	621	90	305	406	318	635	22	168	44	981	610

NOTE: For models with raised-face flanges, dimensions are taken from the raised face.

Unit: inches

SIZE Ø	MODEL	FLANGE						RAISED FACE	RAISED FACE
		TYPE	e	f	n	h			
8	EFQT8	8" ANSI 150#	11 3/4	13 1/2	8	7/8	YES	10 1/2	

KEYWAY		
w	d	lg
3/8	3/16	5 5/8

Unit: mm

SIZE Ø	MODEL	FLANGE						RAISED FACE	RAISED FACE
		TYPE	e	f	n	h			
200	EFQT8	8" ANSI 150#	298	343	203	22	YES	267	

KEYWAY		
w	d	lg
10	5	143

Illinois Location:
 (847) 841-7867
 860 Church Rd Elgin, IL 60123

Minnesota Location:
 (651) 758-7867
 330 Mill Bay South Suite 1511
 Afton, MN 55001

PumpSupplyInc.com

PUMP SUPPLY
INCORPORATED



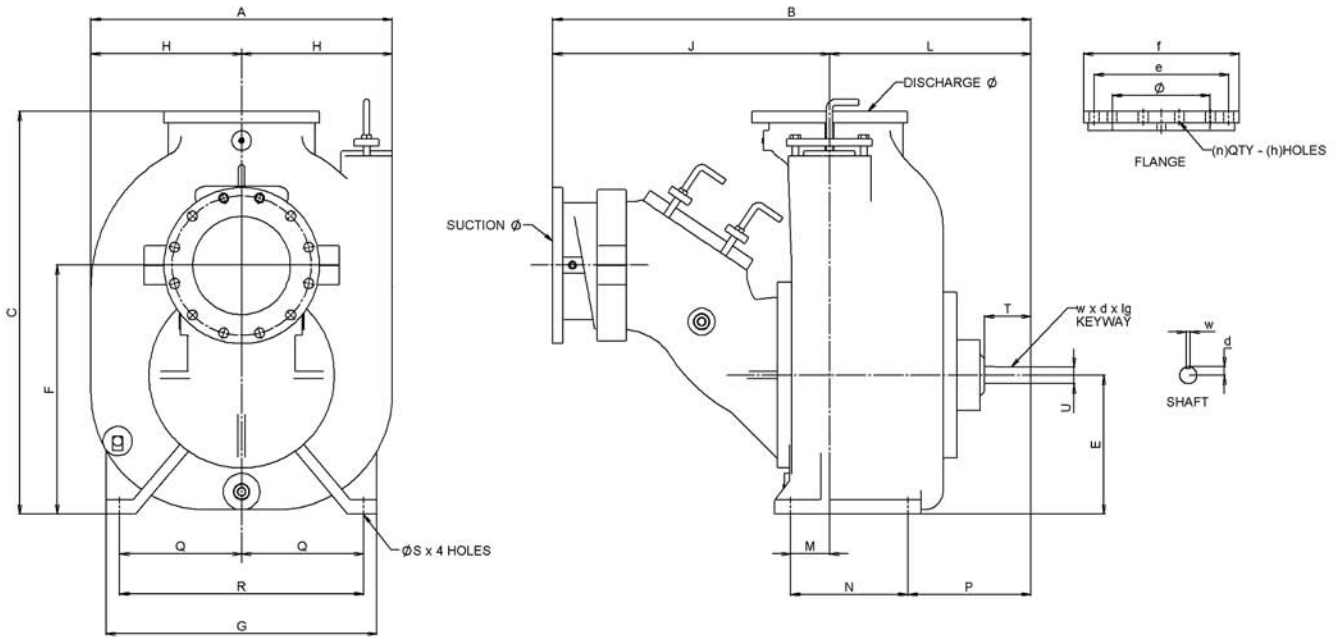
EBARA Self Priming Trash Pump

EFQT/EFQU

Dimensions

Project: _____ Model: _____ Chk'd: _____ Date: _____

Model EFQT10



Unit: inches

SIZE Ø	MODEL	PUMP																				
		A	B	C	D	E	F	G	H	J	K	L	M	N	P	Q	R	S	T	U	V	W
10	EFQT10	30 7/8	49	41 1/4	N/A	14 1/4	25 7/16	27 3/4	N/A	28 3/8	N/A	20 5/8	4	12	12 5/8	12 1/2	25	7/8	4 3/4	1 3/4	N/A	N/A

NOTE: For models with raised-face flanges, dimensions are taken from the raised face.

Unit: mm

SIZE Ø	MODEL	PUMP																				
		A	B	C	D	E	F	G	H	J	K	L	M	N	P	Q	R	S	T	U	V	W
10	EFQT10	784	1245	1048	N/A	362	646	705	N/A	721	N/A	524	102	305	321	318	635	22	121	44	N/A	N/A

NOTE: For models with raised-face flanges, dimensions are taken from the raised face.

Unit: inches

SIZE Ø	MODEL	FLANGE							RAISED FACE	RAISED FACE
		TYPE	e	f	n	h	1	-		
10	EFQT10	10" ANSI 150#	14 1/4	16	12	1	-	NO	-	

KEYWAY		
w	d	lg
3/8	3/16	4 1/4

Unit: mm

SIZE Ø	MODEL	FLANGE							RAISED FACE	RAISED FACE
		TYPE	e	f	n	h	1	-		
250	EFQT10	10" ANSI 150#	362	406	305	25	-	NO	-	

KEYWAY		
w	d	lg
10	5	108

Illinois Location:
 (847) 841-7867
 860 Church Rd Elgin, IL 60123

Minnesota Location:
 (651) 758-7867
 330 Mill Bay South Suite 1511
 Afton, MN 55001

PumpSupplyInc.com

PUMP SUPPLY
INCORPORATED



EBARA Self Priming Trash Pump

EFQT/EFQU

Dimensions


Project: _____ Model: _____ Chk'd: _____ Date: _____

Model EFQT12 – Please Consult Factory

Illinois Location:
(847) 841-7867
860 Church Rd Elgin, IL 60123

Minnesota Location:
(651) 758-7867
330 Mill Bay South Suite 1511
Afton, MN 55001

PumpSupplyInc.com



PS **PUMP SUPPLY**
INCORPORATED

Unit: inches

SIZE Ø	MODEL	PUMP																		
		A	B	C	D	E	F	G	H	J	K	L	M	N	P	Q	R	S	T	U
12	EFQT12	Consult Factory																		

NOTE: For models with raised-face flanges, dimensions are taken from the raised face.

Unit: mm

SIZE Ø	MODEL	PUMP																		
		A	B	C	D	E	F	G	H	J	K	L	M	N	P	Q	R	S	T	U
12	EFQT12	Consult Factory																		

NOTE: For models with raised-face flanges, dimensions are taken from the raised face.

Unit: inches

SIZE Ø	MODEL	FLANGE						RAISED FACE		RAISED FACE	
		TYPE	e	f	n	h					
12	EFQT12	Consult Factory									

KEYWAY		
w	d	lg
Consult Factory		

Unit: mm

SIZE Ø	MODEL	FLANGE						RAISED FACE		RAISED FACE	
		TYPE	e	f	n	h					
300	EFQT12	Consult Factory									

KEYWAY		
w	d	lg
Consult Factory		



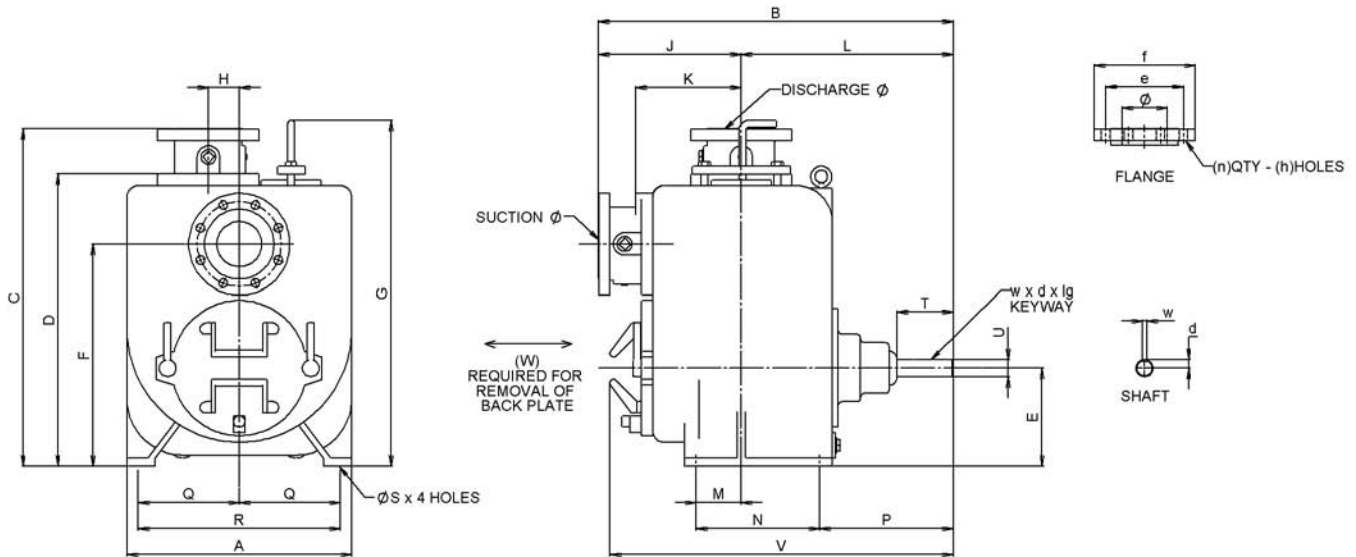
EBARA Self Priming Trash Pump

EFQT/EFQU

Dimensions

Project: _____ Model: _____ Chk'd: _____ Date: _____

Model EFQU 3, 4, 6



Unit: inches

SIZE Ø	MODEL	PUMP																				
		A	B	C	D	E	F	G	H	J	K	L	M	N	P	Q	R	S	T	U	V	W
3	EFQU3	17 1/4	28 13/16	27 1/2	22 5/16	7 9/16	17	26 11/16	2 3/4	12	7 9/16	16 13/16	3 3/8	9	11 3/16	7 3/4	15 1/2	11/16	4 1/16	1 1/2	27 7/16	18
4	EFQU4	20	31 5/8	29 15/16	25 15/16	8 3/4	19 11/16	30 11/16	2 3/4	12 3/4	9 3/8	18 7/8	4	11	11 7/8	9	18	11/16	5	1 1/2	30 9/16	18
6	EFQU6	23	36 3/8	34 3/4	29 5/8	10 1/4	22 5/16	34 1/16	2 3/4	14 3/4	11	21 5/8	3 3/8	11	14	10 3/8	20 3/4	11/16	4 3/4	1 3/4	34	18

NOTE: For models with raised-face flanges, dimensions are taken from the raised face.

Unit: mm

SIZE Ø	MODEL	PUMP																				
		A	B	C	D	E	F	G	H	J	K	L	M	N	P	Q	R	S	T	U	V	W
3	EFQU3	438	732	699	567	192	432	678	70	305	192	427	86	229	284	197	394	17	103	38	697	457
4	EFQU4	508	803	760	659	222	500	779	70	324	238	479	102	279	302	229	457	17	127	38	776	457
6	EFQU6	584	924	883	752	260	567	865	70	375	279	549	86	279	356	264	527	17	121	44	864	457

NOTE: For models with raised-face flanges, dimensions are taken from the raised face.

Unit: inches

SIZE Ø	MODEL	FLANGE						RAISED FACE	
		TYPE	e	f	n	h	RAISED FACE	RAISED FACE	
3	EFQU3	3" ANSI 150#	6	7 1/2	4	3/4	NO	-	
4	EFQU4	4" ANSI 150#	7 1/2	9	8	3/4	YES	6 3/16	
6	EFQU6	6" ANSI 150#	9 1/2	11	8	7/8	YES	8 1/2	

KEYWAY		
w	d	lg
3/8	3/16	3
3/8	3/16	4
3/8	3/16	3 1/2

Unit: mm

SIZE Ø	MODEL	FLANGE						RAISED FACE	
		TYPE	e	f	n	h	RAISED FACE	RAISED FACE	
3	EFQU3	3" ANSI 150#	152	191	102	19	NO	-	
4	EFQU4	4" ANSI 150#	191	229	203	19	YES	157	
6	EFQU6	6" ANSI 150#	241	279	203	22	YES	216	

KEYWAY		
w	d	lg
10	5	76
10	5	102
10	5	89

Illinois Location:

(847) 841-7867
860 Church Rd Elgin, IL 60123

Minnesota Location:

(651) 758-7867
330 Mill Bay South Suite 1511
Afton, MN 55001

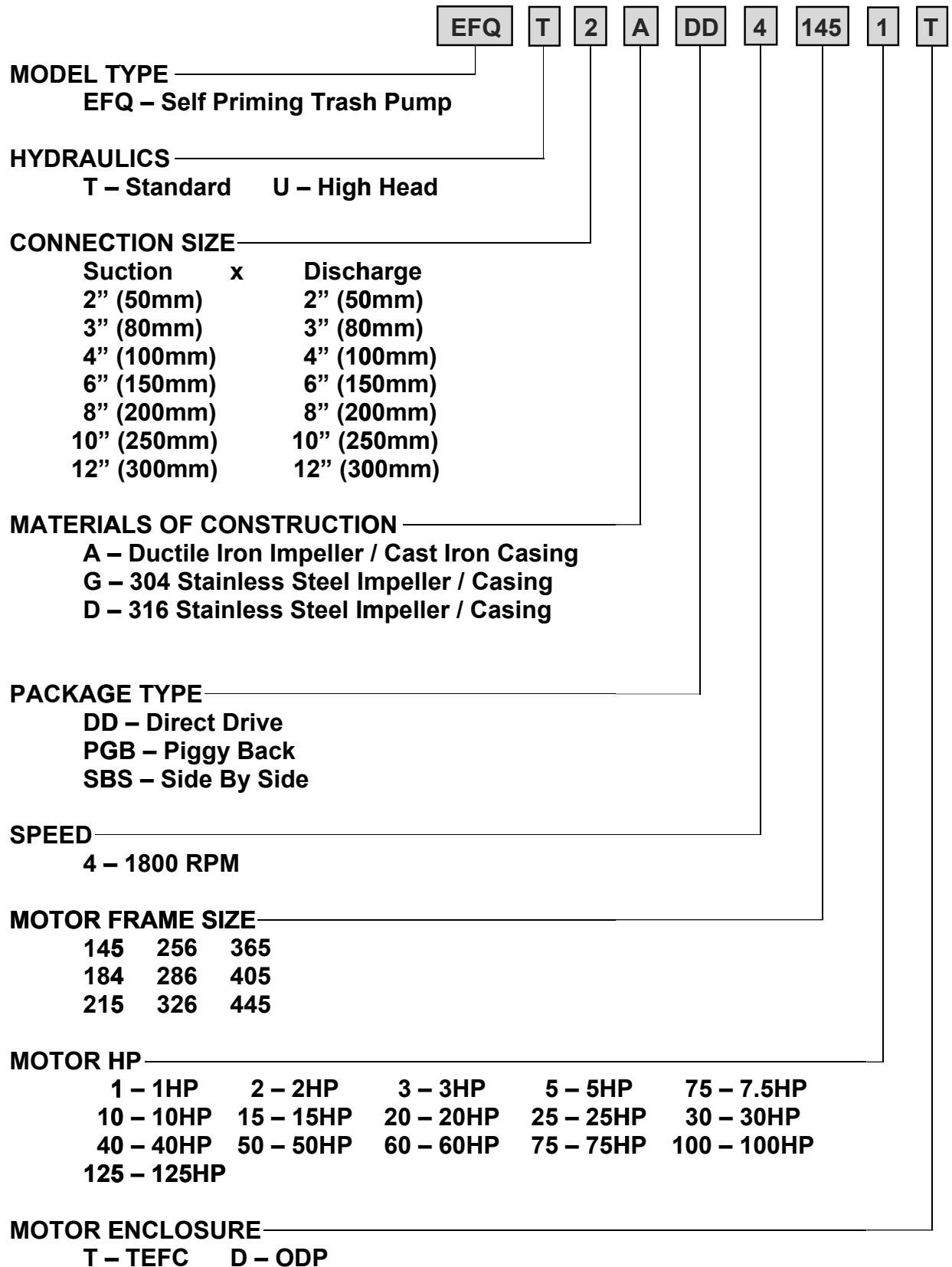
PumpSupplyInc.com



EBARA Self Priming Trash Pump

EFQT/EFQU

Model Designation – Skid Packages



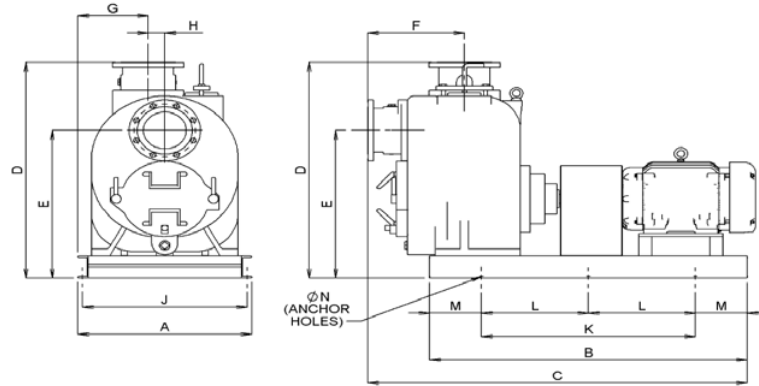
EBARA Self Priming Trash Pump

EFQT/EFQU

Dimensions

Project: _____ Model: _____ Chk'd: _____ Date: _____

EFQT/EFQU Skid Package - Direct Drive Model
Model EFQT 2, 3, 4, 6



Unit: inches

PUMP MODEL	NEMA MOTOR FRAME	A	B	C	D	E	F	G	H	J	K	L	M	ØN	
EFQT2	145T	17 1/2	32	37 9/16	24	15 5/8	9 7/16	6	2 3/4	16 1/8	20	N/A	6	9/16	
	184T		34	39 9/16							22				
	215T		37	42 9/16							25				
	256T		44	49 9/16							32				16
EFQT3	145T	21 1/2	37	43 7/8	31 1/4	21 1/4	11 7/8	8 1/8	2 3/4	20 1/8	21	N/A	8	9/16	
	184T		38	44 7/8							22				
	215T		40	46 7/8							24				
	256T		45	51 7/8							29				
	286T		47	53 7/8							31				16
EFQT4	145T	23 11/16	40	48 1/8	33 1/2	23 7/8	12 7/8	9 1/16	2 3/4	22 5/16	28	N/A	8	9/16	
	184T		41	49 1/8							29				
	215T		43	51 1/8							31				
	256T		48	56 1/8							36				18
	286T		50	58 1/8							38				19
EFQT6	145T	26 13/16	40	49 9/16	38 13/16	26 9/16	14 15/16	10 13/16	2 3/4	25 7/16	24	N/A	8	9/16	
	184T		41	50 9/16							25				
	215T		44	53 9/16							28				
	256T		49	58 9/16							33				16 1/2
	286T		51	60 9/16							35				17 1/2
	326T		52	61 9/16							36				18

Unit: mm

PUMP MODEL	NEMA MOTOR FRAME	A	B	C	D	E	F	G	H	J	K	L	M	ØN	
EFQT2	145T	445	813	954	610	397	240	152	70	410	508	N/A	152	14	
	184T		864	1005							559				
	215T		940	1081							635				
	256T		1118	1259							813				406
EFQT3	145T	546	940	1114	794	540	302	206	70	511	533	N/A	8	14	
	184T		965	1140							559				
	215T		1016	1191							610				
	256T		1143	1318							737				
	286T		1194	1368							787				394
EFQT4	145T	602	1016	1222	851	606	327	230	70	567	711	N/A	203	14	
	184T		1041	1248							737				
	215T		1092	1299							787				
	256T		1219	1426							914				457
	286T		1270	1476							965				483
EFQT6	145T	681	1016	1259	986	675	379	275	70	646	610	N/A	8	14	
	184T		1041	1284							635				
	215T		1118	1360							711				
	256T		1245	1487							838				419
	286T		1295	1538							889				445
	326T		1321	1564							914				457



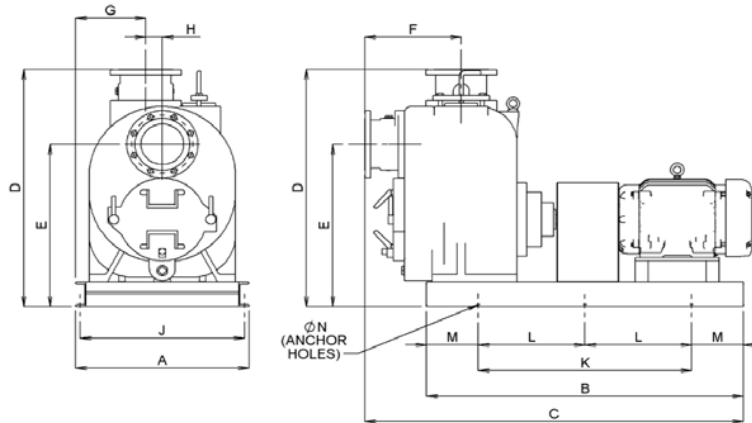
EBARA Self Priming Trash Pump

EFQT/EFQU

Dimensions

Project: _____ Model: _____ Chk'd: _____ Date: _____

**EFQT/EFQU Skid Package - Direct Drive Model
Model EFQT 8, 10, 12**



Unit: inches

PUMP MODEL	NEMA MOTOR FRAME	A	B	C	D	E	F	G	H	J	K	L	M	ØN
EFQT8	215T	33 1/16	51	60 7/8	48 3/8	34 11/16	16 7/16	16 9/16	N/A	31 11/16	35	17 1/2	8	9/16
	256T		54	63 7/8							38	19		
	286T		57	66 7/8							41	20 1/2		
	326T		60	69 7/8							44	22		
	365T		62	71 7/8							46	23		
	405T		65	74 7/8							49	24 1/2		
EFQT10	215T	33 1/4	48	68 3/8	49 1/4	33 1/2	28 3/8	16 5/8	N/A	31 1/4	32	16	8	13/16
	256T		53	73 3/8							37	18 1/2		
	286T		56	76 3/8							40	20		
	326T		58	78 3/8							42	21		
	365T		61	81 3/8							45	22 1/2		
	405T		63	83 3/8							47	23 1/2		
EFQT12	256T	Consult Factory												
	286T	Consult Factory												
	326T	Consult Factory												
	365T	Consult Factory												
	405T	Consult Factory												
445T	Consult Factory													

Unit: mm

PUMP MODEL	NEMA MOTOR FRAME	A	B	C	D	E	F	G	H	J	K	L	M	ØN
EFQT8	215T	840	1295	1546	1229	881	418	421	N/A	805	889	445	203	14
	256T		1372	1622							965	483		
	286T		1448	1699							1041	521		
	326T		1524	1775							1118	559		
	365T		1575	1826							1168	584		
	405T		1651	1902							1245	622		
EFQT10	215T	845	1219	1737	1251	851	721	422	N/A	794	813	406	203	21
	256T		1346	1864							940	470		
	286T		1422	1940							1016	508		
	326T		1473	1991							1067	533		
	365T		1549	2067							1143	572		
	405T		1600	2118							1194	597		
EFQT12	256T	Consult Factory												
	286T	Consult Factory												
	326T	Consult Factory												
	365T	Consult Factory												
	405T	Consult Factory												
445T	Consult Factory													



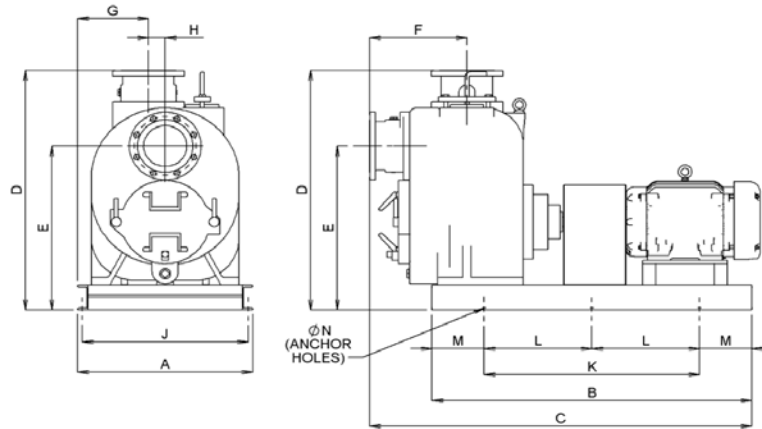
EBARA Self Priming Trash Pump

EFQT/EFQU

Dimensions

Project: _____ Model: _____ Chk'd: _____ Date: _____

**EFQT/EFQU Skid Package - Direct Drive Model
Model EFQU 3, 4, 6**



Unit: inches

PUMP MODEL	NEMA MOTOR FRAME	A	B	C	D	E	F	G	H	J	K	L	M	ØN		
EFQU3	145T	21 1/2	37	43	5/8	31 1/2	21	12	8	20 1/8	21	N/A	8	9/16		
	184T		38	44	5/8						22					
	215T		40	46	5/8						24					
	256T		45	51	5/8						29					
	286T		47	53	5/8						31				15 1/2	
EFQU4	184T	24 3/16	41	47	3/4	33 15/16	23 11/16	12 3/4	9 5/16	2 3/4	22 13/16	29	N/A	8	9/16	
	215T		44	50	3/4							32				
	256T		48	54	3/4							36				18
	286T		50	56	3/4							38				19
	326T		52	58	3/4							40				20
EFQU6	184T	27 3/16	43	52	3/8	38 3/4	26 5/16	14 3/4	10 13/16	25 13/16	27	N/A	8	9/16		
	215T		46	55	3/8						30					
	256T		51	60	3/8						35				17 1/2	
	286T		54	63	3/8						38				19	
	326T		54	63	3/8						38				19	
365T	56	65	3/8	40	20											

Unit: mm

PUMP MODEL	NEMA MOTOR FRAME	A	B	C	D	E	F	G	H	J	K	L	M	ØN	
EFQU3	145T	546	940	1108	800	533	305	203	70	511	533	N/A	203	14	
	184T		965	1133							559				
	215T		1016	1184							610				
	256T		1143	1311							737				
	286T		1194	1362							787				394
EFQU4	184T	614	1041	1213	862	602	324	237	70	579	737	N/A	203	14	
	215T		1118	1289							813				
	256T		1219	1391							914				457
	286T		1270	1441							965				483
	326T		1321	1492							1016				508
EFQU6	184T	691	1092	1330	984	668	375	275	70	656	686	N/A	203	14	
	215T		1168	1407							762				
	256T		1295	1534							889				445
	286T		1372	1610							965				483
	326T		1372	1610							965				483
365T	1422	1661	1016	508											



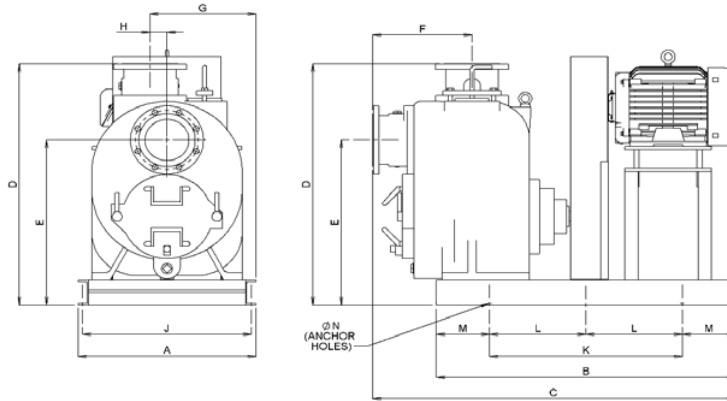
EBARA Self Priming Trash Pump

EFQT/EFQU

Dimensions

Project: _____ Model: _____ Chk'd: _____ Date: _____

EFQT/EFQU Skid Package - Piggy Back Model
Model EFQT 2, 3, 4, 6



Unit: inches

PUMP MODEL	NEMA MOTOR FRAME	A	B	C	D	E	F	G	H	J	K	L	M	ØN				
EFQT2	145T	19	30	35 9/16	24	15 5/8	9 7/16	12 1/4	2 3/4	17 5/8	18	N/A	6	9/16				
	184T		31	36 9/16							19							
	215T		33	38 9/16							17							
	256T	20	38	43 9/16							22							
EFQT3	145T	22 1/4	32 1/2	39 7/8	30 1/4	20 1/4	11 7/8	13 3/4		2 3/4	20 7/8	17	N/A		8	9/16		
	184T		34	41 3/8								18 1/2						
	215T		36	43 3/8								20 1/2						
	256T		41	48 3/8								25 1/2						
	286T		43 1/2	50 7/8					28									
EFQT4	145T	23 5/8	37	45 1/8	33 1/2	23 7/8	12 7/8	14 9/16	2 3/4		22 1/4	21		N/A			8	9/16
	184T		38	46 1/8								22						
	215T		39	47 1/8								23						
	256T		44	52 1/8								28						
	286T		46	54 1/8								30						
EFQT6	145T	26 13/16	38 1/2	48 1/16	38 13/16	26 9/16	14 7/8	15 15/16		2 3/4	25 7/16	22 1/2	N/A		15	9/16		
	184T		38	47 9/16								22						
	215T		40 1/2	50 1/16			24 1/2											
	256T		45	54 9/16			29											
	286T		46	55 9/16			30											
	326T		48	57 9/16			32											

Unit: mm

PUMP MODEL	NEMA MOTOR FRAME	A	B	C	D	E	F	G	H	J	K	L	M	ØN				
EFQT2	145T	483	762	903	610	397	240	311	70	448	457	N/A	152	14				
	184T		787	929							483							
	215T		838	979							432							
	256T	508	965	1106							559							
EFQT3	145T	565	826	1013	768	514	302	349		70	530	432	N/A		203	14		
	184T		864	1051								470						
	215T		914	1102								521						
	256T		1041	1229								648						
	286T		1105	1292					711									
EFQT4	145T	600	940	1146	851	606	327	370	70		565	533		N/A			203	14
	184T		965	1172								559						
	215T		991	1197								584						
	256T		1118	1324								711						
	286T		1168	1375								762						
EFQT6	145T	681	978	1221	986	675	378	405		70	646	572	N/A		381	14		
	184T		965	1208			559											
	215T		1029	1272			622											
	256T		1143	1386			737											
	286T		1168	1411			762											
	326T		1219	1462			813											



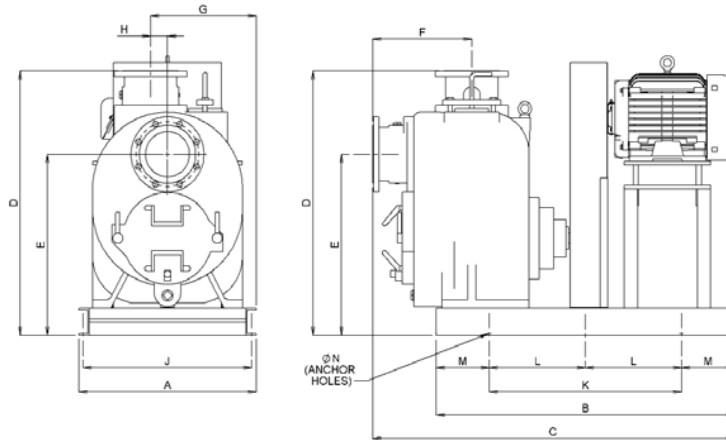
EBARA Self Priming Trash Pump

EFQT/EFQU

Dimensions

Project: _____ Model: _____ Chk'd: _____ Date: _____

**EFQT/EFQU Skid Package - Piggy Back Model
Model EFQT 8, 10, 12**



Unit: inches

PUMP MODEL	NEMA MOTOR FRAME	A	B	C	D	E	F	G	H	J	K	L	M	ØN
EFQT8	215T	34	46 1/2	56 3/8	50 3/8	36 11/16	16 7/16	17	N/A	32	30 1/2	N/A	8	13/16
	256T		53	62 7/8				16 3/4			37	18 1/2		
	286T		53	62 7/8				17			39	19 1/2		
	326T	33 1/2	55	64 7/8				16 3/4			40	20		
	365T	56	65 7/8	14 1/4				43			21 1/2			
405T	34 1/2	59	68 7/8	16 5/8	31 1/2	32 1/2	43	21 1/2						
EFQT10	215T	33 1/4	47	67 3/8	49 1/4	33 1/2	28 3/8	16 5/8	N/A	31 1/4	31	N/A	8	13/16
	256T		50	70 3/8							34	17		
	286T		52	72 3/8							36	18		
	326T		54	74 3/8							38	19		
	365T		56	76 3/8							40	20		
405T	60	80 3/8	44	22										
EFQT12	256T	Consult Factory												
	286T	Consult Factory												
	326T	Consult Factory												
	365T	Consult Factory												
	405T	Consult Factory												
445T	Consult Factory													

Unit: mm

PUMP MODEL	NEMA MOTOR FRAME	A	B	C	D	E	F	G	H	J	K	L	M	ØN
EFQT8	215T	864	1181	1432	1280	932	418	432	N/A	813	775	N/A	203	21
	256T		1346	1597				425			940	470		
	286T		1346	1597				432			991	495		
	326T	851	1397	1648				425			1016	508		
	365T	1422	1673	362				1092			546			
405T	876	1499	1749	826	1092	546								
EFQT10	215T	845	1194	1711	1251	851	721	422	N/A	794	787	N/A	203	21
	256T		1270	1788							864	432		
	286T		1321	1838							914	457		
	326T		1372	1889							965	483		
	365T		1422	1940							1016	508		
405T	1524	2042	1118	559										
EFQT12	256T	Consult Factory												
	286T	Consult Factory												
	326T	Consult Factory												
	365T	Consult Factory												
	405T	Consult Factory												
445T	Consult Factory													



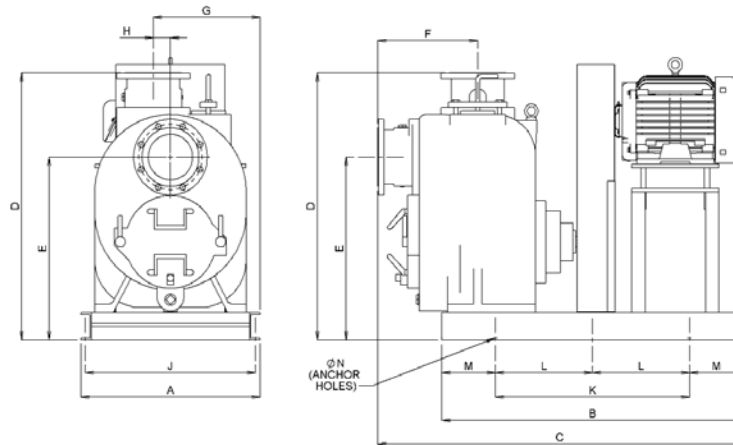
EBARA Self Priming Trash Pump

EFQT/EFQU

Dimensions

Project: _____ Model: _____ Chk'd: _____ Date: _____

EFQT/EFQU Skid Package - Piggy Back Model
Model EFQU 3, 4, 6



Unit: inches

PUMP MODEL	NEMA MOTOR FRAME	A	B	C	D	E	F	G	H	J	K	L	M	ØN	
EFQU3	145T	23	33	40 1/8	30 1/2	20	12	14 1/4		21 5/8	17 1/2	N/A			
	184T		34	41 1/8							18 1/2				
	215T		36	43 1/8							20 1/2				
	256T		40	47 1/8							24 1/2				
	286T		43	50 1/8							27 1/2				
EFQU4	184T	24 1/8	38	44 3/4	33 15/16	23 11/16	12 3/4	14 13/16	2 3/4	22 3/4	22	8	9/16		
	215T		40	46 3/4							24				
	256T		45	51 3/4							29				
	286T		46	52 3/4							30				
	326T		48	54 3/4							32			16	
EFQU6	184T	27 3/16	40	49 3/8	38 3/4	26 5/16	14 3/4	16 5/16		25 13/16	24	N/A			
	215T		42	51 3/8							26				
	256T		47	56 3/8							25 13/16			31	15 1/2
	286T		48	57 3/8							32			16	
	326T		50	59 3/8							25 13/16			38	17
365T	53	62 3/8		37	18 1/2										

Unit: mm

PUMP MODEL	NEMA MOTOR FRAME	A	B	C	D	E	F	G	H	J	K	L	M	ØN
EFQU3	145T	584	838	1019	775	508	305	362		549	445	N/A		
	184T		864	1045							470			
	215T		914	1095							521			
	256T		1016	1197							622			
	286T		1092	1273							699			
EFQU4	184T	613	965	1137	862	602	324	376	70	578	559	203	14	
	215T		1016	1187							610			
	256T		1143	1314							737			
	286T		1168	1340							762			
	326T		1219	1391							813			406
EFQU6	184T	691	1016	1254	984	668	375	414		610	N/A			
	215T		1067	1305						660				
	256T		1194	1432						690			787	394
	286T		1219	1457						813			406	
	326T		1270	1508						656			965	432
365T	1346	1584		940	470									



PUMP SUPPLY
 INCORPORATED

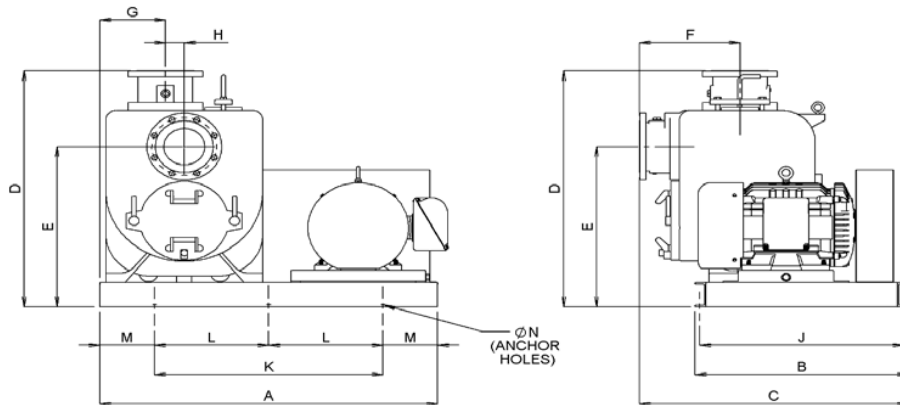
EBARA Self Priming Trash Pump

EFQT/EFQU

Dimensions

Project: _____ Model: _____ Chk'd: _____ Date: _____

EFQT/EFQU Skid Package - Side By Side Model
Model EFQT 2, 3, 4, 6



Unit: inches

PUMP MODEL	NEMA MOTOR FRAME	A	B	C	D	E	F	G	H	J	K	L	M	ØN				
EFQT2	145T	32	24 1/4	28	24	15 5/8	9 7/16	4 1/4	2 3/4	23	20	N/A	6	9/16				
	184T																	
	215T																	
	256T														25 3/4	22		
EFQT3	145T	41 1/2	27	32 11/16	31 1/4	21 1/4	11 7/8	7 1/8		25 5/8	25 1/2		N/A		8	9/16		
	184T																	
	215T	44	27 3/8	32 5/8						26	28							
	256T		29 1/4	27 7/8						30								
EFQT4	145T	43	28 1/4	35 5/16	33 1/2	23 7/8	12 7/8	8 1/4		26 7/8	27		N/A		8		9/16	
	184T			33 5/16														
	215T			35 7/16						27								
	256T			44						28 1/4								35 5/16
EFQT6	286T	46	29 3/8	35 7/16	38 13/16	26 9/16	14 15/16	9 13/16	28	30	N/A	8	9/16					
	145T	47	29	37 3/8					31	31 1/4								
	184T	47 1/4		38 13/16					26 9/16	14 15/16				9 13/16	27 5/8			31 1/2
	215T	47 1/2	37 5/16												27 9/16			33
	256T	49	28 15/16	37 5/16					27 3/4	33 1/2				18				
	326T	52	32 1/2	38 7/16					31 1/8	36								

Unit: mm

PUMP MODEL	NEMA MOTOR FRAME	A	B	C	D	E	F	G	H	J	K	L	M	ØN			
EFQT2	145T	813	616	711	610	397	240	108	70	584	508	N/A	152	14			
	184T																
	215T																
	256T														864	686	830
145T	1054	695	829	708	762												
184T						1118	743	897		787							
215T	1168	746	900	702	794												
256T						1118	718	897		700	838		419				
286T	1168	746	900	711	762										425		
EFQT6						145T	1194	737		949	986		675			379	249
	184T	1200	735	948	700	838	419										
	215T	1207						740		948					705		
	256T	1245	826	976	791	914	457										
	286T	1257						826	976	791		914		457			
	326T	1321	826	976	791	914	457										



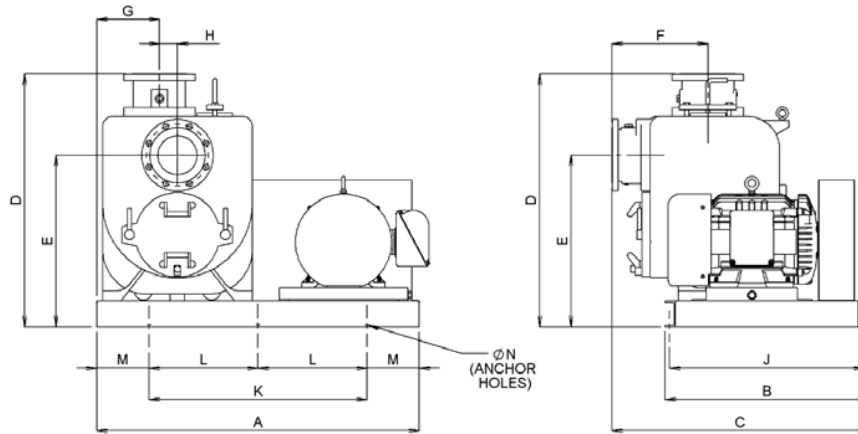
EBARA Self Priming Trash Pump

EFQT/EFQU

Dimensions

Project: _____ Model: _____ Chk'd: _____ Date: _____

EFQT/EFQU Skid Package - Side By Side Model
Model EFQT 8, 10, 12



Unit: inches

PUMP MODEL	NEMA MOTOR FRAME	A	B	C	D	E	F	G	H	J	K	L	M	ØN
EFQT8	215T	53 1/4	36	44 7/16	48 3/8	34 11/16	16 7/16	15 1/2	N/A	34 5/8	37 1/4	18 5/8	8	9/16
	256T	57									41	20 1/2		
	286T	59									43	21 1/2		
	326T	60									44	22		
	405T	63									45 1/16	47		
EFQT10	215T	64	34 3/4	54 3/4	49 1/4	33 1/2	28 3/8	16 1/2	N/A	32 3/4	48	24	8	9/16
	256T	66									50	25		
	286T	68									52	26		
	326T	68									34	26		
	365T	70									39	55 5/16		
EFQT12	256T	Consult Factory												
	286T	Consult Factory												
	326T	Consult Factory												
	365T	Consult Factory												
	405T	Consult Factory												
445T	Consult Factory													

Unit: mm

PUMP MODEL	NEMA MOTOR FRAME	A	B	C	D	E	F	G	H	J	K	L	M	ØN			
EFQT8	215T	1353	914	1129	1229	881	418	394	N/A	879	946	473	203	14			
	256T	1448									1041	521					
	286T	1499									1092	546					
	326T	1524									1118	559					
	365T	1600									978	1145			943	1194	597
EFQT10	215T	1626	883	1391	1251	851	721	419	N/A	832	1219	610	203	14			
	256T	1676									1270	635					
	286T	1727									914	1392			864	1321	660
	326T	1778									991	1405			940	1372	686
	365T	1778									991	1405			940	1372	686
EFQT12	256T	Consult Factory															
	286T	Consult Factory															
	326T	Consult Factory															
	365T	Consult Factory															
	405T	Consult Factory															
445T	Consult Factory																



PUMP SUPPLY
 INCORPORATED

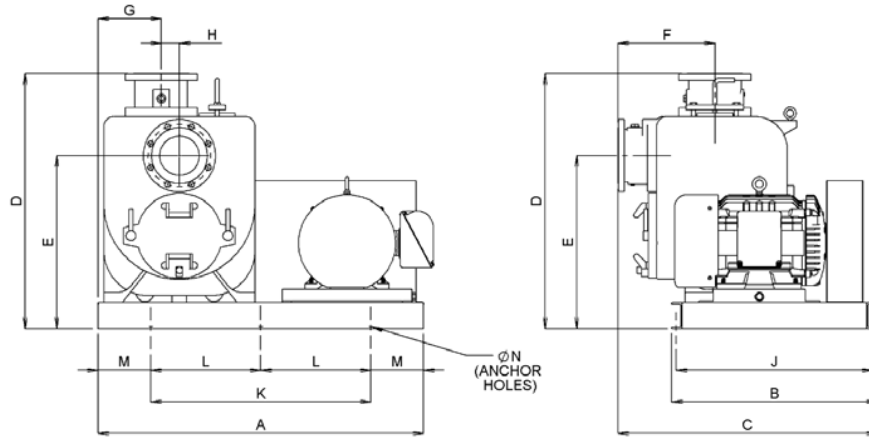
EBARA Self Priming Trash Pump

EFQT/EFQU

Dimensions

Project: _____ Model: _____ Chk'd: _____ Date: _____

**EFQT/EFQU Skid Package - Side By Side Model
Model EFQU 3, 4, 6**



Unit: inches

PUMP MODEL	NEMA MOTOR FRAME	A	B	C	D	E	F	G	H	J	K	L	M	ØN
EFQU3	145T	41 1/2	27	32 1/2	31 1/2	21	12	7	2 3/4	25 5/8	28	N/A	8	9/16
	184T									26				
	215T	44	27 3/8	27 7/8	27									
	256T		29 1/4											
286T	46	29 1/4	34 3/8	33 15/16	23 11/16	12 3/4	8 1/4	27 3/8	29					
EFQU4	184T	43	28 3/4	34 3/8	33 15/16	23 11/16	12 3/4	8 1/4	2 3/4	27 7/8	30	15 1/2	8	9/16
	215T	45	29 1/4	34 5/16						31	31 1/4			
	256T	46	31 1/4	34 1/4	38 3/4	26 5/16	14 3/4	9 5/8		29 7/8	33 1/2	N/A		
	286T	47		40 1/2						31 1/2	16 1/2			
326T	47	32 1/2	40 1/2	31 1/8	36	18								
EFQU6	184T	47 1/4	31 1/4	39 7/16	38 3/4	26 5/16	14 3/4	9 5/8	2 3/4	29 7/8	33 1/2	16 3/4	8	9/16
	215T	47 1/2									31 1/2	16 1/2		
	256T	49	31 1/8	36	18									
	286T	49 1/2	32 3/8	37	18 1/2									
	326T	52	32 1/2	40 1/2	31 1/8	36	18							
365T	53	33 3/4	40 9/16	32 3/8	37	18 1/2								

Unit: mm

PUMP MODEL	NEMA MOTOR FRAME	A	B	C	D	E	F	G	H	J	K	L	M	ØN
EFQU3	145T	1054	686	826	800	533	305	178	70	651	711	N/A	203	14
	184T									660				
	215T	1118	695	708										
	256T		708											
286T	1168	743	873	862	602	324	210	695	686					
EFQU4	184T	1092	730	873	862	602	324	210	70	695	737	394	203	14
	215T	1143	743	872						708	762			
	256T	1168	794	1002	984	668	375	244		787	794	N/A		
	286T	1194								870	794	800		
EFQU6	184T	1200	794	1002	984	668	375	244	2 3/4	791	914	457	8	9/16
	215T	1207								794	800	838		
	256T	1245	826	1029	791	914	457							
	286T	1257	826	1029	822	940	470							
	326T	1321	826	1029	822	940	470							
365T	1346	857	1030	822	940	470								



**PUMP SUPPLY
INCORPORATED**

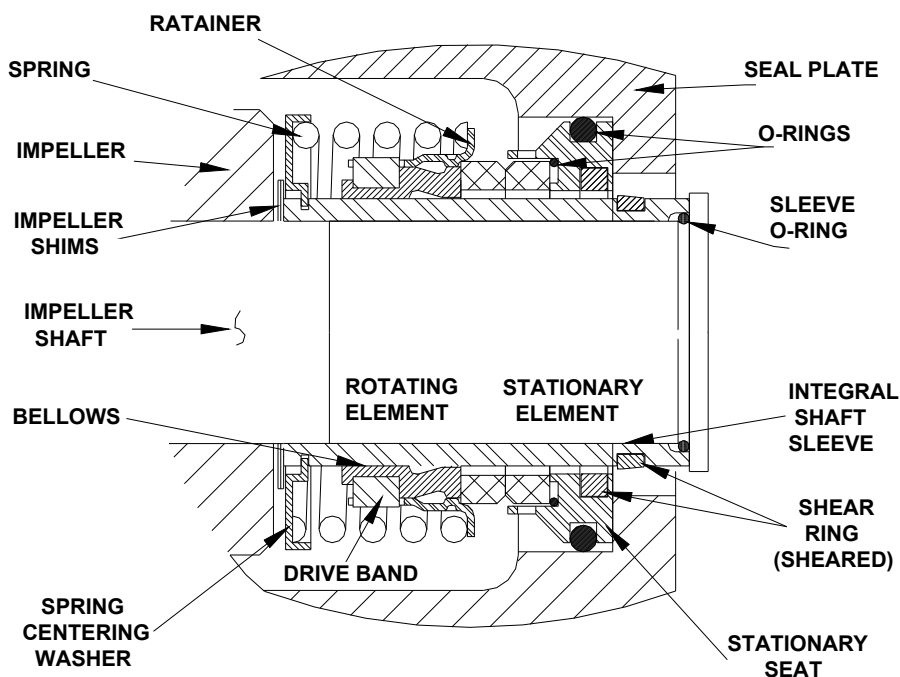
EBARA Self Priming Trash Pump

EFQT/EFQU

Technical Data

Project: _____ Model: _____ Chk'd: _____ Date: _____

Cartridge Seal Assembly



Bearing Types

Model	Inboard (front)	Outboard (back)
EFQT2	single row	single row
EFQT3		single row
EFQT4		double row
EFQT6	double row	double row
EFQT8		double row
EFQT10		double row
EFQT12	single row	double row
EFQU3	single row	double row
EFQU4		double row
EFQU6	double row	double row



EBARA Self Priming Trash Pump

EFQT/EFQU

Sectional View

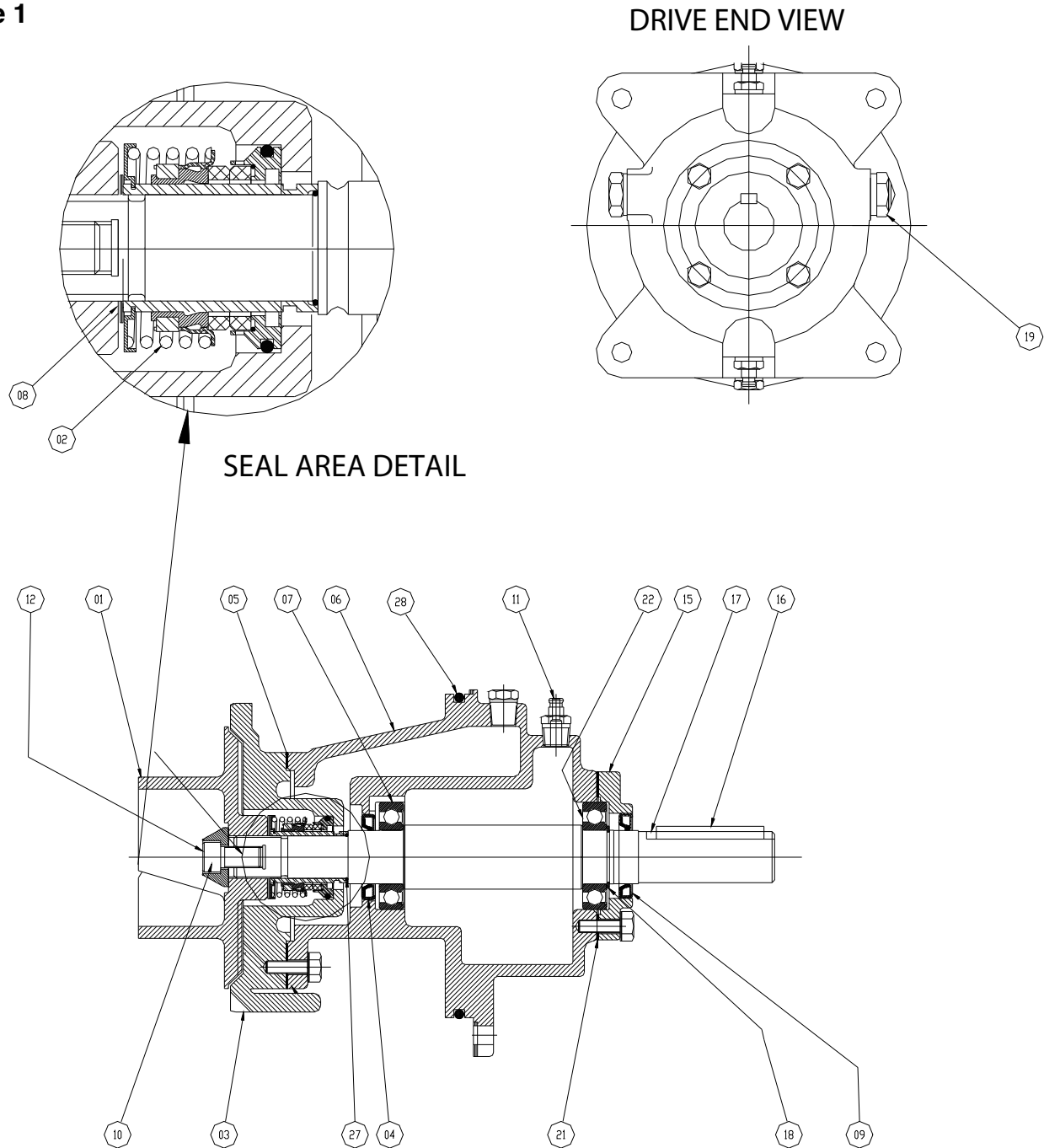
Project:

Model:

Chk'd:

Date:

**Model EFQT 2, 3 – Repair Rotating Assembly
Figure 1**



Illinois Location:
 (847) 841-7867
 860 Church Rd Elgin, IL 60123

Minnesota Location:
 (651) 758-7867
 330 Mill Bay South Suite 1511
 Afton, MN 55001

PumpSupplyInc.com

**PUMP SUPPLY
INCORPORATED**



EBARA Self Priming Trash Pump**EFQT/EFQU****Sectional View – Part Numbers**

Project:

Model:

Chk'd:

Date:

Model EFQT2/EFQT3**Figure 1. Repair Rotating Assembly**

Callout #	Notes	Part Name	QTY
		Rotating Assembly Rebuild Kit	1
02	*/**	Mechanical Seal	1
04	*/**	Inboard Oil Seal	1
05	*/**	Seal Plate Gasket	1
07	*/**	Inboard Ball Bearing	1
09	*/**	Outboard Oil Seal	1
18		Bearing Retaining Ring	1
21	*/**	Bearing Cap Gasket	1
22	*/**	Outboard Ball Bearing	1
27	*/***	Inboard Seal Plate O-Ring	1
28	*/**	Rotating Assembly O-Ring	1
01	*	Impeller	1
03		Seal Plate	1
06		Bearing Housing	1
08		Impeller Adjusting Washers	1 Set
10		Impeller Capscrew	1
11		Air Vent	1
12		Impeller Washer	1
15		Bearing Cap	1
16	*	Shaft Key	1
17		Impeller Shaft	1
19		Sight Gauge	1

NOTES:

Parts included in assembly kit are shown in shaded area.

*Recommended spare part

**Part sold separate from kit

***Included with mechanical seal



PUMP SUPPLY
INCORPORATED



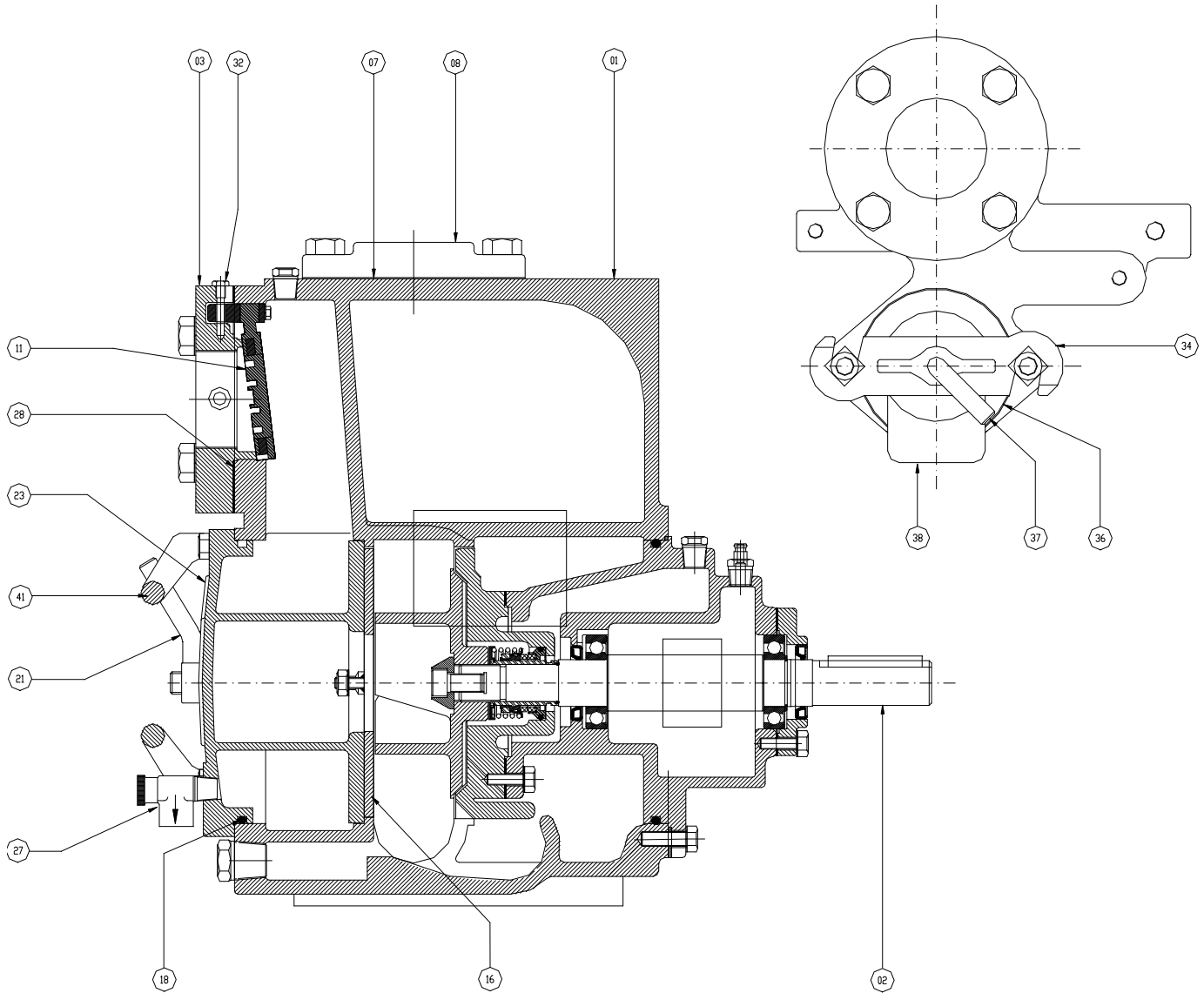
EBARA Self Priming Trash Pump

EFQT/EFQU

Sectional View

Project: _____ Model: _____ Chk'd: _____ Date: _____



Model EFQT 2, 3
Figure 2



Illinois Location:
 (847) 841-7867
 860 Church Rd Elgin, IL 60123

Minnesota Location:
 (651) 758-7867
 330 Mill Bay South Suite 1511
 Afton, MN 55001

PumpSupplyInc.com



EBARA Self Priming Trash Pump

EFQT/EFQU

Sectional View – Part Numbers

Project: _____ Model: _____ Chk'd: _____ Date: _____

**Model EFQT2/EFQT3
Figure 2. Pump Model**

Callout #	Notes	Part Name	QTY
01		Pump Casing	1
02	*	Rotating Assembly	1
03		Suction Flange	1
07	*	Discharge Gasket	1
08		Discharge Flange	1
21		Hand Nut	2
34		Clamp Bar	1
37		Clamp Bar Screw	1
	*	Check Valve Assembly	1
11		Suction Check Valve	1
28		Suction Flange Gasket	1
32		Check Valve Pin	1
	*	Fill Cover Assembly	1
36		Fill Cover Gasket	1
38		Fill Cover Plate	1
		Back Cover Plate Assembly	1
16	*/**	Wear Plate	1
18	*/**	Back Cover O-Ring	1
23	**	Back Cover Plate	1
27	**	Pressure Relief Valve	1
41		Cover Plate Handle	1

NOTES:

Parts included in assembly kit are shown in shaded area.

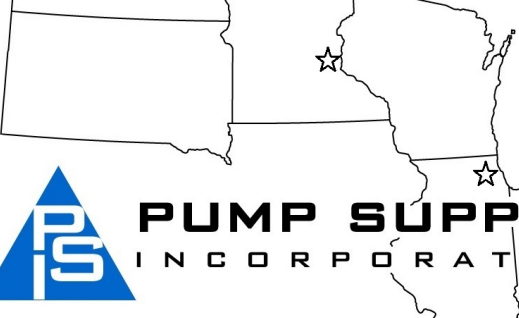
*Recommended spare part

**Part sold separate from kit

Illinois Location:
(847) 841-7867
860 Church Rd Elgin, IL 60123

Minnesota Location:
(651) 758-7867
330 Mill Bay South Suite 1511
Afton, MN 55001

PumpSupplyInc.com



PS
PUMP SUPPLY
INCORPORATED



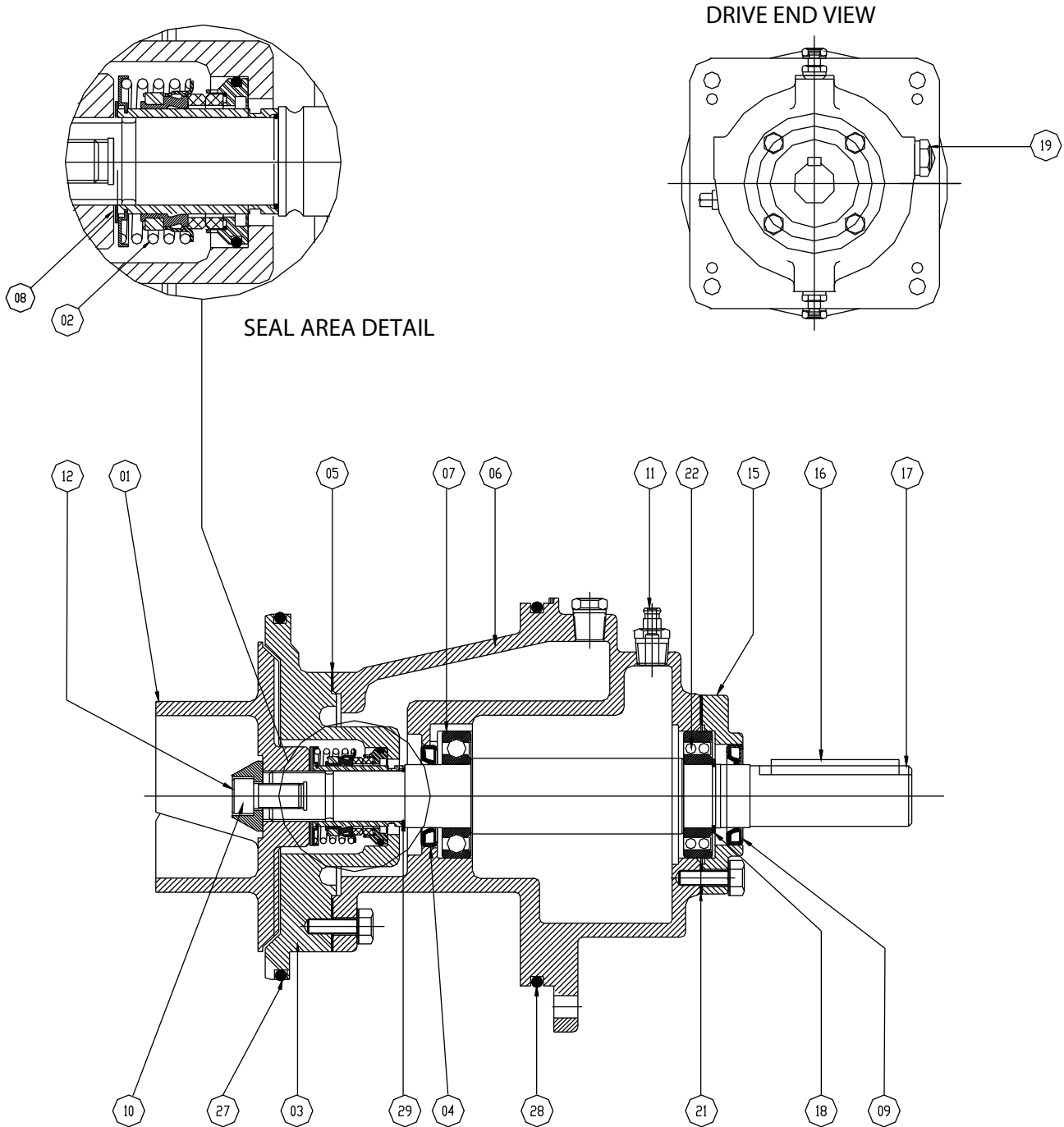
EBARA Self Priming Trash Pump

EFQT/EFQU

Sectional View

Project: _____ Model: _____ Chk'd: _____ Date: _____

**Model EFQT4 – Repair Rotating Assembly
Figure 1**



EBARA Self Priming Trash Pump**EFQT/EFQU****Sectional View – Part Numbers**

Project:

Model:

Chk'd:

Date:

Model EFQT4**Figure 1. Repair Rotating Assembly**

Callout #	Notes	Part Name	QTY
Rotating Assembly Rebuild Kit			1
02	*/**	Mechanical Seal	1
04	*/**	Inboard Oil Seal	1
05	*/**	Seal Plate Gasket	1
07	*/**	Inboard Ball Bearing	1
09	*/**	Outboard Oil Seal	1
18		Bearing Retaining Ring	1
21	*/**	Bearing Cap Gasket	1
22	*/**	Outboard Ball Bearing	1
27	*/**	Seal Plate O-Ring	1
28	*/**	Rotating Assembly O-Ring	1
29	*/***	Inboard Seal Plate O-Ring	1
01	*	Impeller	1
03		Seal Plate	1
06		Bearing Housing	1
08		Impeller Adjusting Washers	1 Set
10		Impeller Capscrew	1
11		Air Vent	1
12		Impeller Washer	1
15		Bearing Cap	1
16	*	Shaft Key	1
17		Impeller Shaft	1
19		Sight Gauge	1

NOTES:

Parts included in assembly kit are shown in shaded area.

*Recommended spare part

**Part sold separate from kit

***Included with mechanical seal



PUMP SUPPLY
INCORPORATED



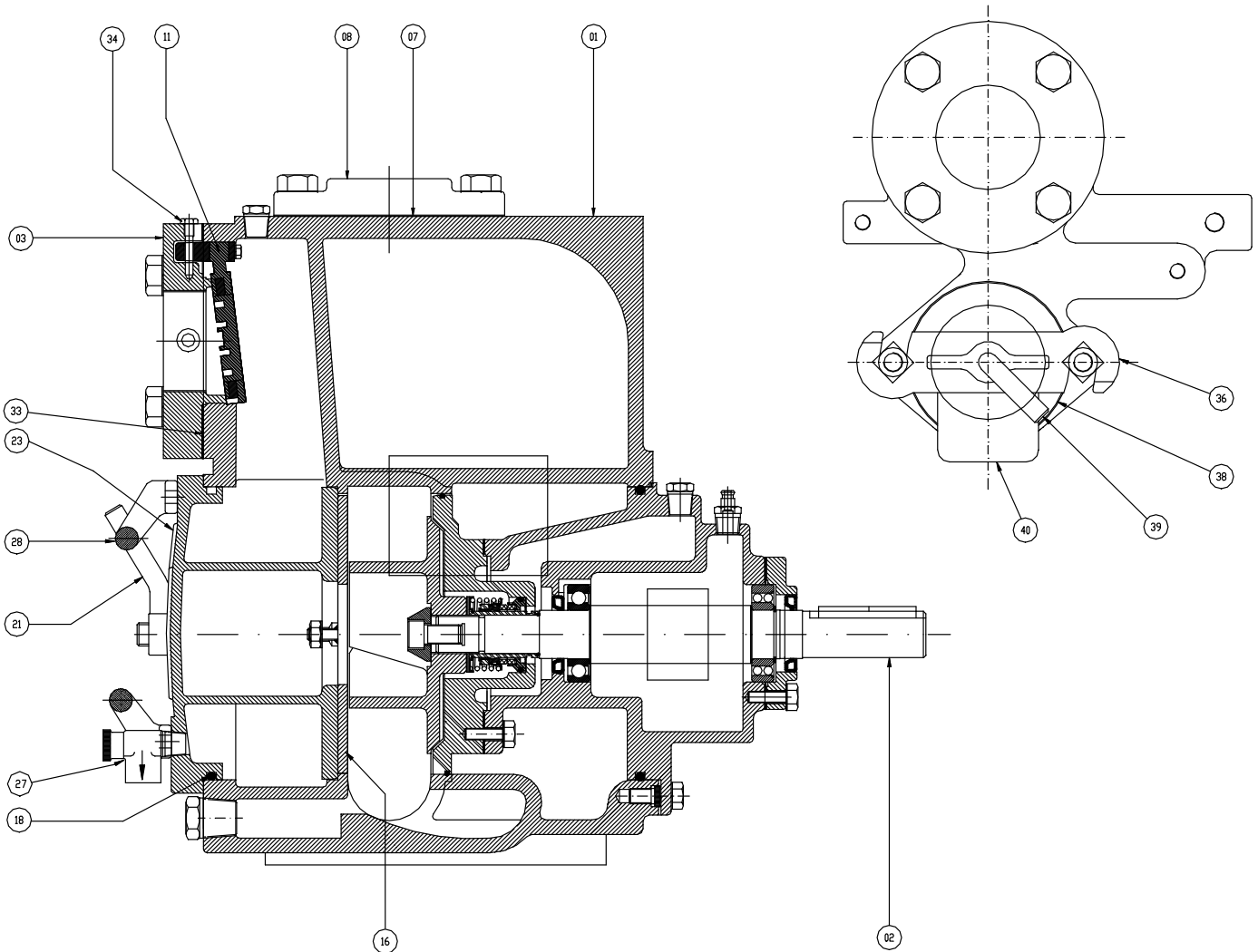
EBARA Self Priming Trash Pump

EFQT/EFQU

Sectional View

Project: _____ Model: _____ Chk'd: _____ Date: _____



Model EFQT4
Figure 2



Illinois Location:
 (847) 841-7867
 860 Church Rd Elgin, IL 60123

Minnesota Location:
 (651) 758-7867
 330 Mill Bay South Suite 1511
 Afton, MN 55001

PumpSupplyInc.com

PUMP SUPPLY
INCORPORATED



EBARA Self Priming Trash Pump

EFQT/EFQU

Sectional View – Part Numbers

Project: _____ Model: _____ Chk'd: _____ Date: _____

**Model EFQT4
Figure 2. Pump Model**

Callout #	Notes	Part Name	QTY
01		Pump Casing	1
02	*	Rotating Assembly	1
03		Suction Flange	1
07	*	Discharge Gasket	1
08		Discharge Flange	1
21		Hand Nut	2
36		Clamp Bar	1
39		Clamp Bar Screw	1
	*	Check Valve Assembly	1
11		Suction Check Valve	1
33		Suction Flange Gasket	1
34		Check Valve Pin	1
	*	Fill Cover Assembly	1
39		Fill Cover Gasket	1
40		Fill Cover Plate	1
		Back Cover Plate Assembly	1
16	*/**	Wear Plate	1
18	*/**	Back Cover O-Ring	1
23	**	Back Cover Plate	1
27	**	Pressure Relief Valve	1
28		Cover Plate Handle	1

NOTES:

Parts included in assembly kit are shown in shaded area.


*Recommended spare part

**Part sold separate from kit

Illinois Location:
(847) 841-7867
860 Church Rd Elgin, IL 60123

Minnesota Location:
(651) 758-7867
330 Mill Bay South Suite 1511
Afton, MN 55001

PumpSupplyInc.com



PS
PUMP SUPPLY
INCORPORATED



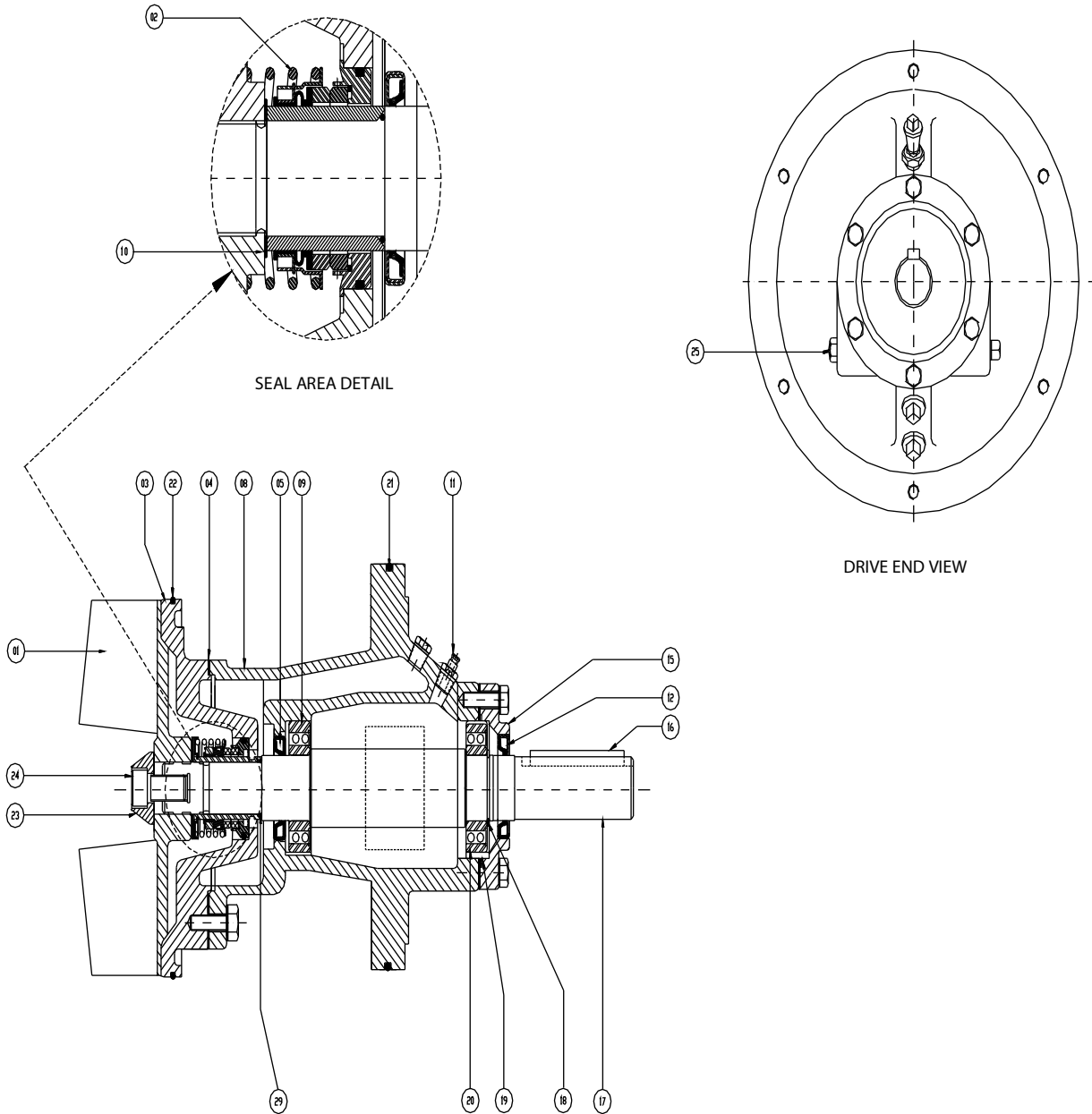
EBARA Self Priming Trash Pump

EFQT/EFQU

Sectional View

Project: _____ Model: _____ Chk'd: _____ Date: _____

Model EFQT6 – Repair Rotating Assembly Figure 1



<p>Illinois Location: (847) 841-7867 860 Church Rd Elgin, IL 60123</p> <p>Minnesota Location: (651) 758-7867 330 Mill Bay South Suite 1511 Afton, MN 55001</p> <p>PumpSupplyInc.com</p>		
--	--	--



EBARA Self Priming Trash Pump**EFQT/EFQU****Sectional View – Part Numbers**

Project:

Model:

Chk'd:

Date:

Model EFQT6**Figure 1. Repair Rotating Assembly**

Callout #	Notes	Part Name	QTY
		Rotating Assembly Rebuild Kit	1
02	*/**	Mechanical Seal	1
04	*/**	Seal Plate Gasket	1
05	*/**	Inboard Oil Seal	1
09	*/**	Inboard Ball Bearing	1
12	*/**	Outboard Oil Seal	1
18		Bearing Retaining Ring	1
19	*/**	Bearing Cap Gasket	1
20	*/**	Outboard Ball Bearing	1
21	*/**	Rotating Assembly O-Ring	1
22	**	Seal Plate O-Ring	1
29	*/***	Inboard Seal Plate O-ring	1
01	*	Impeller	1
03		Seal Plate	1
08		Bearing Housing	1
10		Impeller Adjusting Washers	1 Set
11		Air Vent	1
15		Bearing Cap	1
16	*	Shaft Key	1
17		Impeller Shaft	1
23		Impeller Washer	1
24		Impeller Capscrew	1
25		Sight Gauge	1

NOTES:

Parts included in assembly kit are shown in shaded area.

*Recommended spare part

**Part sold separate from kit

***Included with mechanical seal



PUMP SUPPLY
INCORPORATED



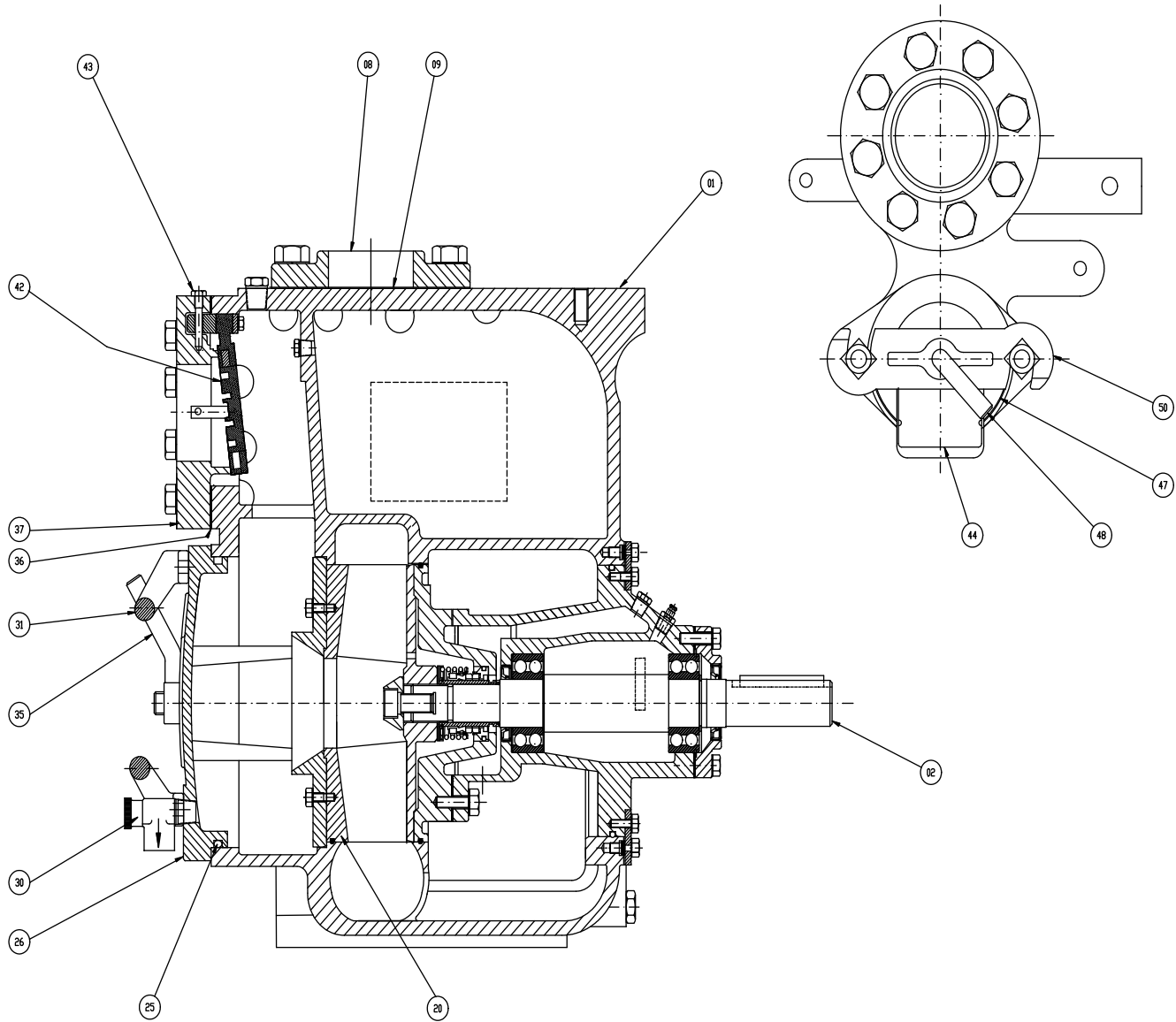
EBARA Self Priming Trash Pump


EFQT/EFQU

Sectional View

Project:	Model:	Chk'd:	Date:
----------	--------	--------	-------

Model EFQT6
Figure 2



<p>Illinois Location: (847) 841-7867 860 Church Rd Elgin, IL 60123</p> <p>Minnesota Location: (651) 758-7867 330 Mill Bay South Suite 1511 Afton, MN 55001</p> <p>PumpSupplyInc.com</p>	 <p>PUMP SUPPLY INCORPORATED</p>
---	---



EBARA Self Priming Trash Pump

EFQT/EFQU

Sectional View – Part Numbers

Project: _____ Model: _____ Chk'd: _____ Date: _____

**Model EFQT6
Figure 2. Pump Model**

Callout #	Notes	Part Name	QTY
01		Pump Casing	1
02	*	Rotating Assembly	1
08		Discharge Flange	1
09	*	Discharge Gasket	1
35		Hand Nut	2
37		Suction Flange	1
48		Clamp Bar Screw	1
50		Clamp Bar	1
	*	Check Valve Assembly	1
36		Suction Flange Gasket	1
42		Suction Check Valve	1
43		Check Valve Pin	1
	*	Fill Cover Assembly	1
44		Fill Cover Plate	1
47		Fill Cover Gasket	1
		Back Cover Plate Assembly	1
20	*/**	Wear Plate	1
25	*/**	Back Cover O-Ring	1
26	**	Back Cover Plate	1
30	**	Pressure Relief Valve	1
31		Cover Plate Handle	2

NOTES:

Parts included in assembly kit are shown in shaded area.


*Recommended spare part

**Part sold separate from kit

Illinois Location:
(847) 841-7867
860 Church Rd Elgin, IL 60123

Minnesota Location:
(651) 758-7867
330 Mill Bay South Suite 1511
Afton, MN 55001

PumpSupplyInc.com



PS
PUMP SUPPLY
INCORPORATED



EBARA Self Priming Trash Pump

EFQT/EFQU

Sectional View

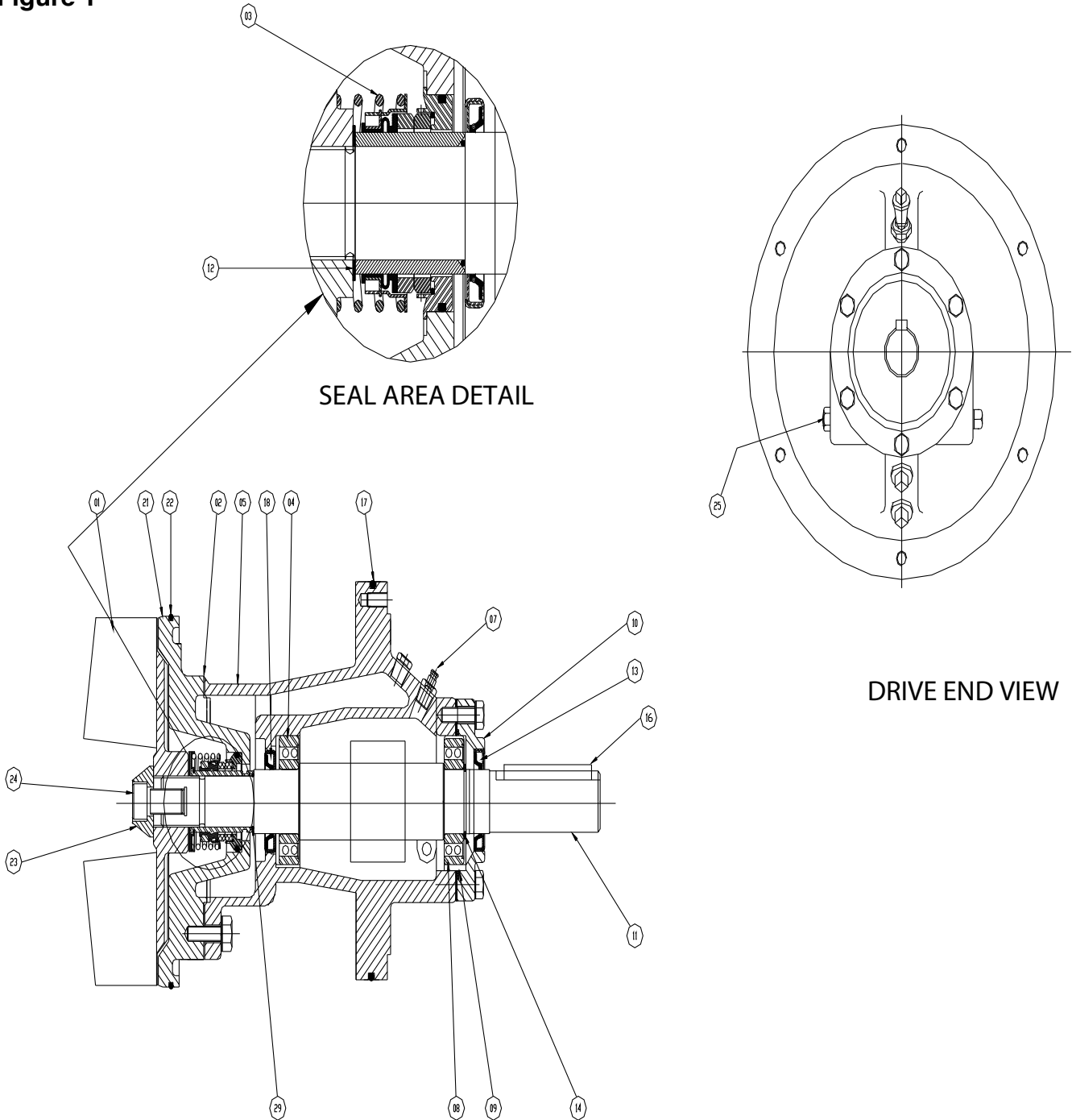
Project:

Model:

Chk'd:

Date:

**Model EFQT8 – Repair Rotating Assembly
Figure 1**



PUMP SUPPLY
INCORPORATED



EBARA Self Priming Trash Pump**EFQT/EFQU****Sectional View – Part Numbers**

Project:

Model:

Chk'd:

Date:

Model EFQT8**Figure 1. Repair Rotating Assembly**

Callout #	Notes	Part Name	QTY
Rotating Assembly Rebuild Kit			1
02	*/**	Seal Plate Gasket	1
03	*/**	Mechanical Seal	1
04	*/**	Inboard Ball Bearing	1
08	*/**	Outboard Ball Bearing	1
09	*/**	Bearing Cap Gasket	1
13	*/**	Outboard Oil Seal	1
14		Bearing Retaining Ring	1
17	*/**	Rotating Assembly O-Ring	1
18	*/**	Inboard Oil Seal	1
22	*/**	Seal Plate O-Ring	1
29	*/***	Inboard Seal Plate O-Ring	1
01	*	Impeller	1
05		Bearing Housing	1
07		Air Vent	1
10		Bearing Cap	1
11		Impeller Shaft	1
12		Impeller Adjusting Washers	1 Set
16	*	Shaft Key	1
21		Seal Plate	1
23		Impeller Washer	1
24		Impeller Capscrew	1
25		Sight Gauge	1

NOTES:

Parts included in assembly kit are shown in shaded area.

*Recommended spare part

**Part sold separate from kit

***Included with mechanical seal



PUMP SUPPLY
INCORPORATED



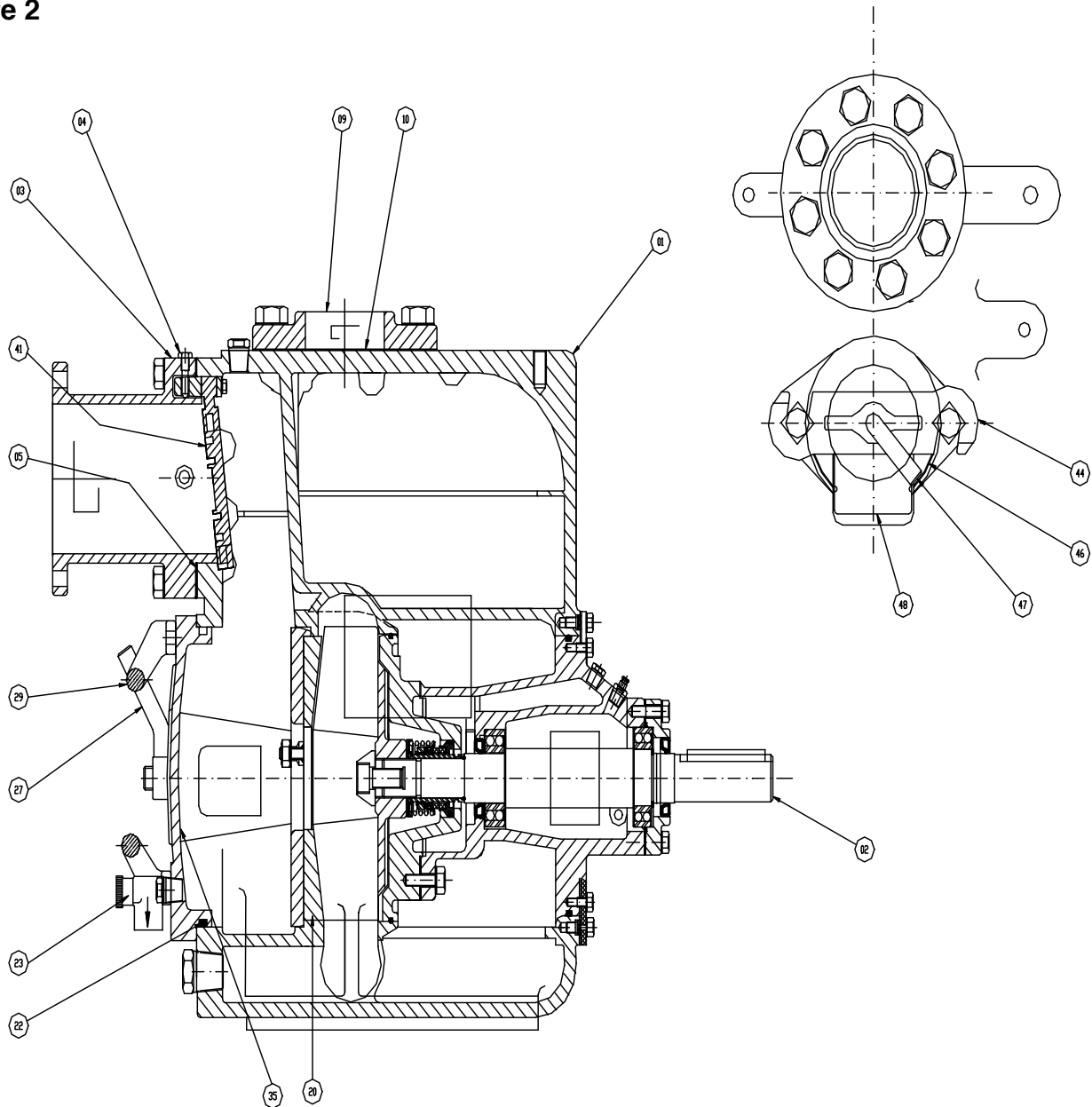
EBARA Self Priming Trash Pump

EFQT/EFQU

Sectional View

Project: _____ Model: _____ Chk'd: _____ Date: _____

**Model EFQT8
Figure 2**



Illinois Location:
 (847) 841-7867
 860 Church Rd Elgin, IL 60123

Minnesota Location:
 (651) 758-7867
 330 Mill Bay South Suite 1511
 Afton, MN 55001

PumpSupplyInc.com

PUMP SUPPLY
INCORPORATED



EBARA Self Priming Trash Pump

EFQT/EFQU

Sectional View – Part Numbers

Project: _____ Model: _____ Chk'd: _____ Date: _____

**Model EFQT8
Figure 2. Pump Model**

Callout #	Notes	Part Name	QTY
01		Pump Casing	1
02	*	Rotating Assembly	1
03		Suction Flange	1
09		Discharge Flange	1
10	*	Discharge Gasket	1
27		Hand Nut	2
44		Clamp Bar	1
47		Clamp Bar Screw	1
	*	Check Valve Assembly	1
04		Check Valve Pin	1
05		Suction Flange Gasket	1
41		Suction Check Valve	1
	*	Fill Cover Assembly	1
46		Fill Cover Gasket	1
48		Fill Cover Plate	1
		Back Cover Plate Assembly	1
20	*/**	Wear Plate	1
22	*/**	Back Cover O-Ring	1
23	**	Pressure Relief Valve	1
29		Cover Plate Handle	2
35	**	Back Cover Plate	1

NOTES:

Parts included in assembly kit are shown in shaded area.


*Recommended spare part

**Part sold separate from kit

Illinois Location:
(847) 841-7867
860 Church Rd Elgin, IL 60123

Minnesota Location:
(651) 758-7867
330 Mill Bay South Suite 1511
Afton, MN 55001

PumpSupplyInc.com





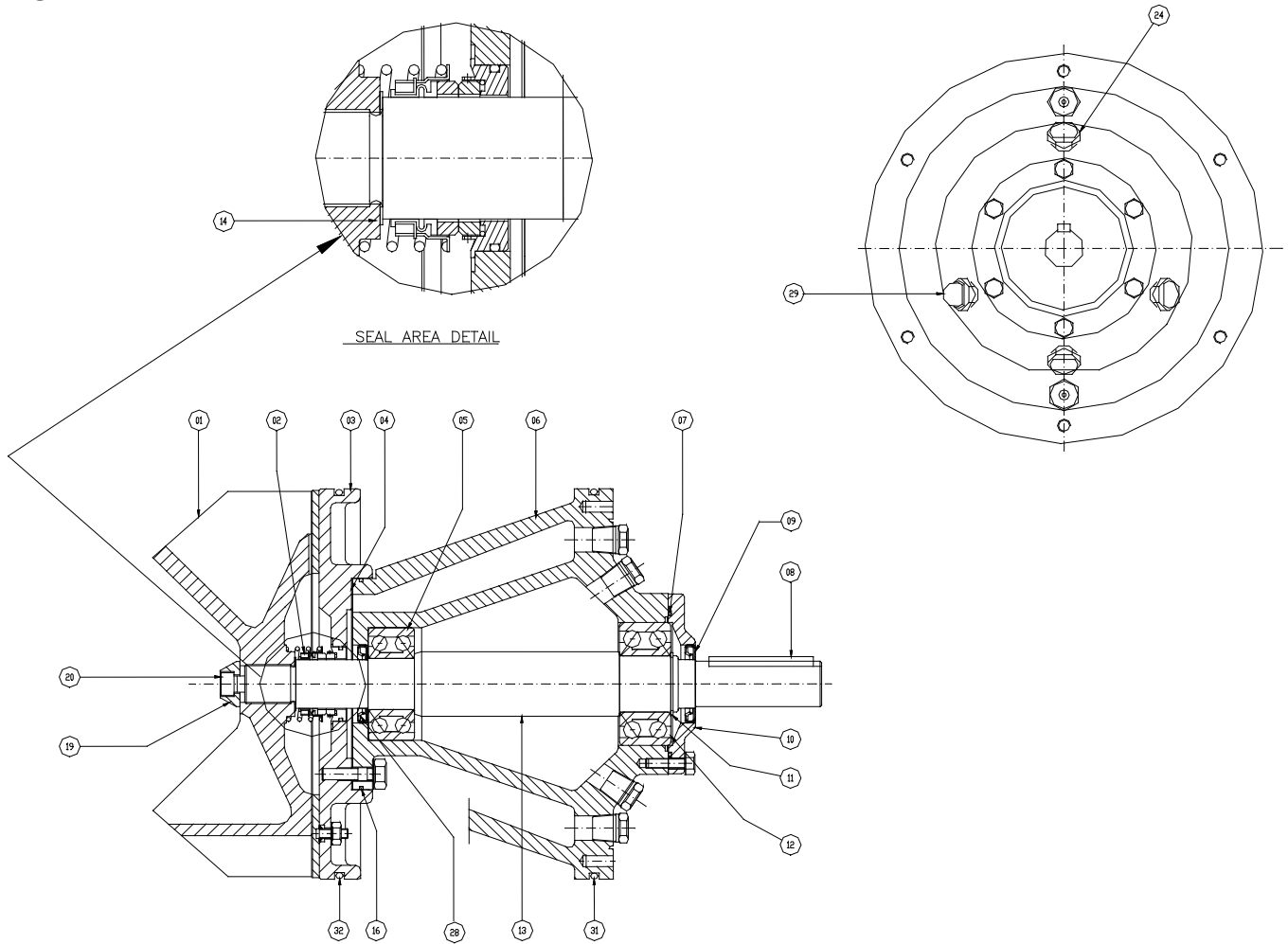
EBARA Self Priming Trash Pump

EFQT/EFQU

Sectional View

Project: _____ Model: _____ Chk'd: _____ Date: _____

**Model EFQT10 – Repair Rotating Assembly
Figure 2**



Illinois Location:
 (847) 841-7867
 860 Church Rd Elgin, IL 60123

Minnesota Location:
 (651) 758-7867
 330 Mill Bay South Suite 1511
 Afton, MN 55001

PumpSupplyInc.com

**PUMP SUPPLY
INCORPORATED**



EBARA Self Priming Trash Pump**EFQT/EFQU****Sectional View – Part Numbers**

Project:

Model:

Chk'd:

Date:

Model EFQT10**Figure 1. Repair Rotating Assembly**

Callout #	Notes	Part Name	QTY
Rotating Assembly Rebuild Kit			1
02	*/**/**	Mechanical Seal	1
04	*/**	Seal Plate Gasket	1
05	*/**	Inboard Ball Bearing	1
07	*/**	Bearing Cap Gasket	1
09	*/**	Outboard Oil seal	1
11		Bearing Retaining Ring	1
12	*/**	Outboard Ball Bearing	1
16	*/**	Bearing Housing O-Ring	1
28	*/**	Inboard Oil Seal	1
31	*/**	Rotating Assembly O-Ring	1
32	*/**	Seal Plate O-Ring	1
01	*	Impeller	1
03		Seal Plate	1
06		Bearing Housing	1
08	*	Shaft Key	1
10		Bearing Cap	1
13		Impeller Shaft	1
14		Impeller Adjusting Washers	1 Set
19		Impeller Washer	1
20		Impeller Capscrew	1
24		Air Vent	1
29		Sight Gauge	1
30		Back Wear Plate	1

NOTES:

Parts included in assembly kit are shown in shaded area.

*Recommended spare part

**Part sold separate from kit

***Shaft Sleeve must be removed



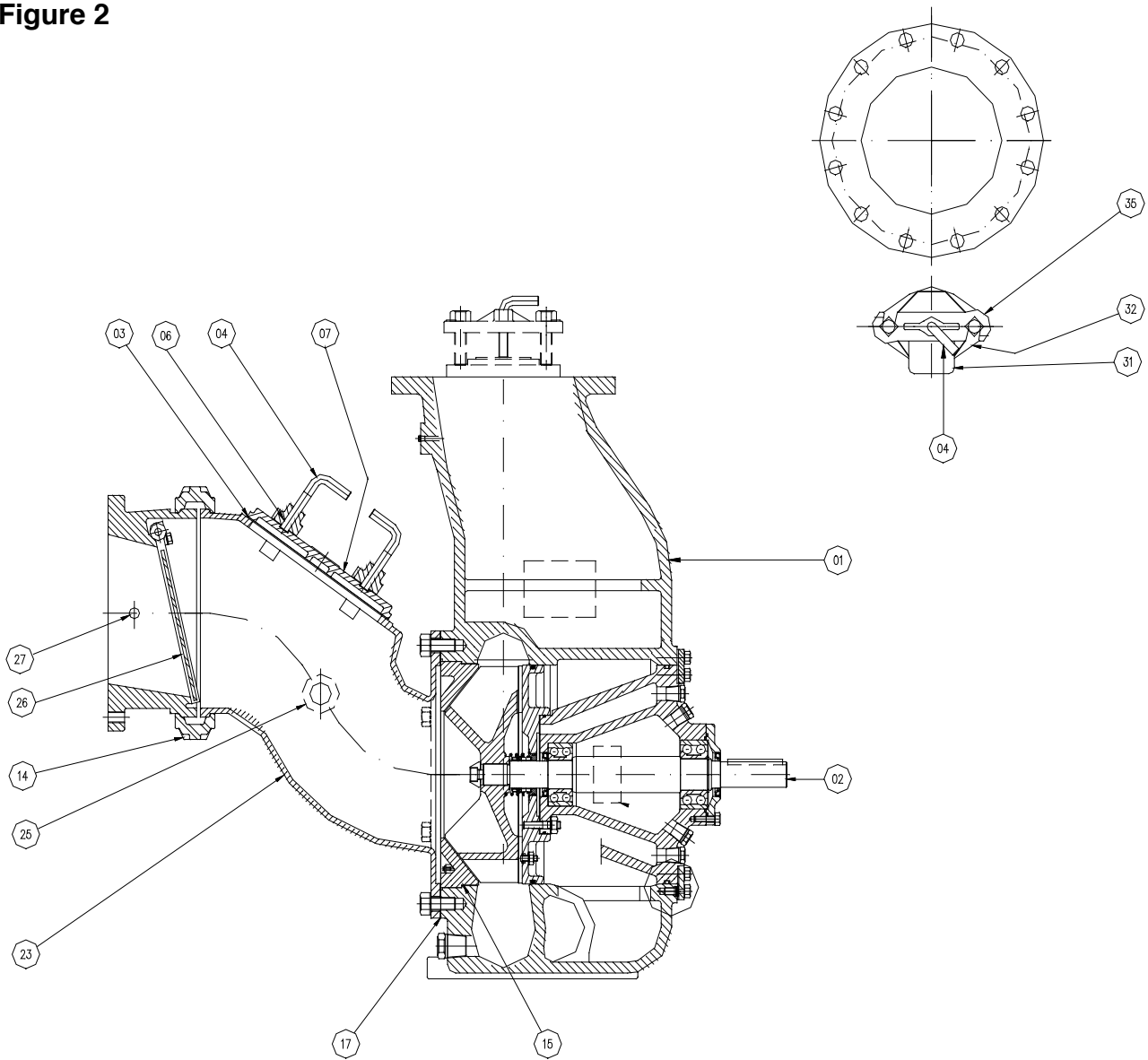
EBARA Self Priming Trash Pump

EFQT/EFQU

Sectional View

Project: _____ Model: _____ Chk'd: _____ Date: _____

**Model EFQT10
Figure 2**



Illinois Location:
 (847) 841-7867
 860 Church Rd Elgin, IL 60123

Minnesota Location:
 (651) 758-7867
 330 Mill Bay South Suite 1511
 Afton, MN 55001

PumpSupplyInc.com

**PUMP SUPPLY
INCORPORATED**



EBARA Self Priming Trash Pump

EFQT/EFQU

Sectional View – Part Numbers

Project: _____ Model: _____ Chk'd: _____ Date: _____

**Model EFQT10
Figure 2. Pump Model**

Callout #	Notes	Part Name	QTY
01		Pump Casing	1
02	*	Rotating Assembly	1
04		Clamp Bar Screw	3
06		Clamp Bar	2
14		Coupling Assembly	1
15	*	Front Wear Plate	1
17		Back Cover Plate O-Ring	1
23		Suction Head	1
25		Pressure Relief Valve	1
28		Check Valve Body	1
35		Clamp Bar	1
	*	Check Valve Assembly	
26		Check Valve Assembly	1
	*	Clean-Out Cover Assembly	1
03		Clean-Out Cover Gasket	1
07		Clean-Out Cover Plate	1
	*	Fill Cover Assembly	1
31		Fill Cover Plate	1
32		Fill Cover Gasket	1



NOTES:

Parts included in assembly kit are shown in shaded area.

*Recommended spare part

Illinois Location:
(847) 841-7867
860 Church Rd Elgin, IL 60123

Minnesota Location:
(651) 758-7867
330 Mill Bay South Suite 1511
Afton, MN 55001
PumpSupplyInc.com



EBARA Self Priming Trash Pump

EFQT/EFQU

Sectional View



Project: _____ Model: _____ Chk'd: _____ Date: _____

Model EFQT12 – Please Consult Factory

Illinois Location:
 (847) 841-7867
 860 Church Rd Elgin, IL 60123

Minnesota Location:
 (651) 758-7867
 330 Mill Bay South Suite 1511
 Afton, MN 55001

PumpSupplyInc.com

PUMP SUPPLY
 INCORPORATED



EBARA Self Priming Trash Pump

EFQT/EFQU

Sectional View – Part Numbers



Project: _____ Model: _____ Chk'd: _____ Date: _____

Model EFQT12 – Please Consult Factory

Illinois Location:
 (847) 841-7867
 860 Church Rd Elgin, IL 60123

Minnesota Location:
 (651) 758-7867
 330 Mill Bay South Suite 1511
 Afton, MN 55001

PumpSupplyInc.com

PUMP SUPPLY
 INCORPORATED



EBARA Self Priming Trash Pump

EFQT/EFQU

Sectional View – Part Numbers



Project: _____ Model: _____ Chk'd: _____ Date: _____

Model EFQT12 – Please Consult Factory

Illinois Location:
 (847) 841-7867
 860 Church Rd Elgin, IL 60123

Minnesota Location:
 (651) 758-7867
 330 Mill Bay South Suite 1511
 Afton, MN 55001

PumpSupplyInc.com

PUMP SUPPLY
 INCORPORATED



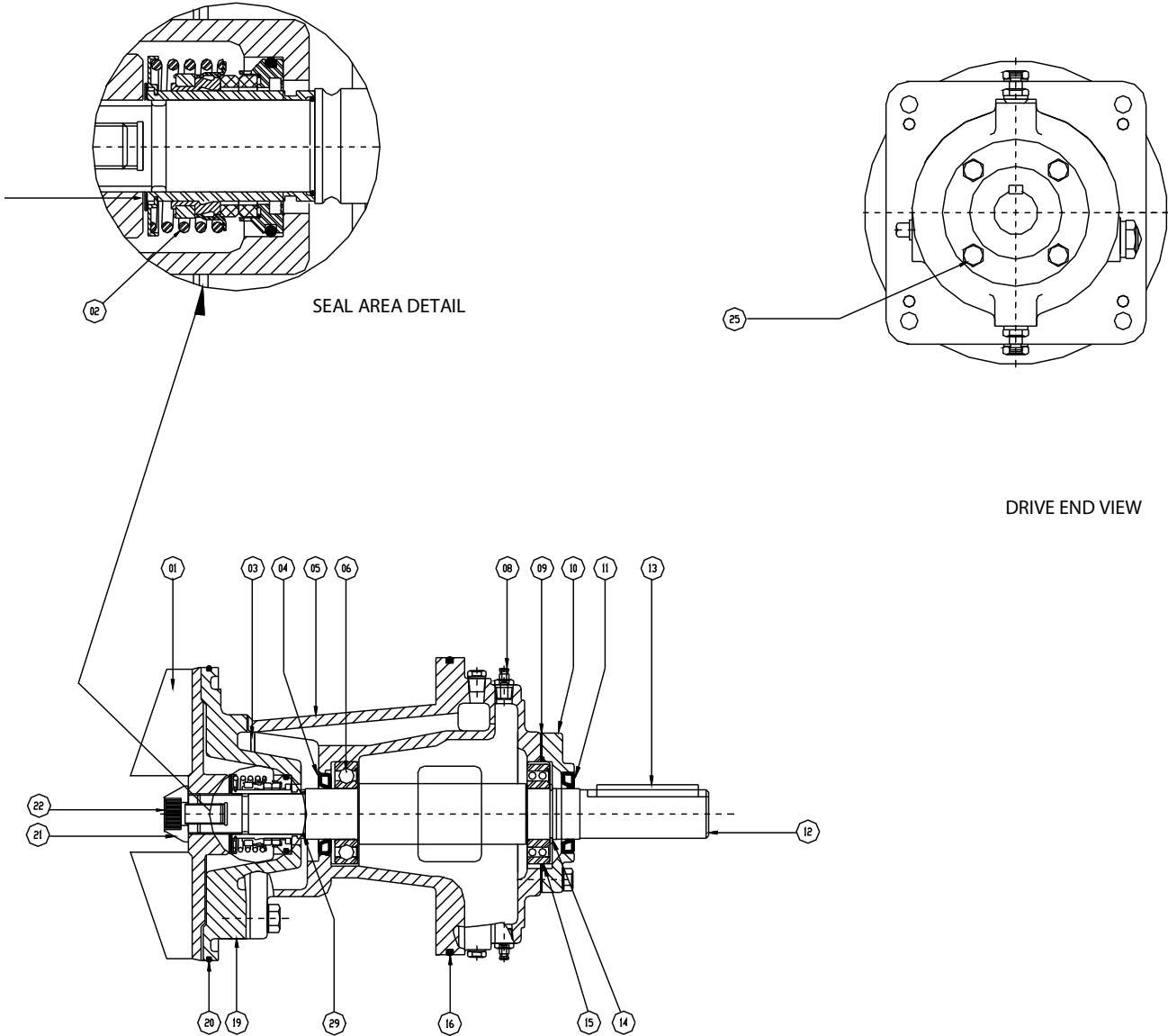
EBARA Self Priming Trash Pump

EFQT/EFQU

Sectional View

Project: _____ Model: _____ Chk'd: _____ Date: _____

**Model EFQU 3, 4 – Repair Rotating Assembly
Figure 1**



Illinois Location:
 (847) 841-7867
 860 Church Rd Elgin, IL 60123

Minnesota Location:
 (651) 758-7867
 330 Mill Bay South Suite 1511
 Afton, MN 55001

PumpSupplyInc.com



EBARA Self Priming Trash Pump**EFQT/EFQU****Sectional View – Part Numbers**

Project:

Model:

Chk'd:

Date:

Model EFQU3/EFQU4**Figure 1. Repair Rotating Assembly**

Callout #	Notes	Part Name	QTY
Rotating Assembly Rebuild Kit			1
02	*/**	Mechanical Seal	1
03	*/**	Seal Plate Gasket	1
04	*/**	Inboard Oil Seal	1
06	*/**	Inboard Ball Bearing	1
09	*/**	Bearing Cap Gasket	1
11	*/**	Outboard Oil Seal	1
14		Bearing Retaining Ring	1
15	*/**	Outboard Ball Bearing	1
16	*/**	Rotating Assembly O-Ring	1
20	*/**	Seal Plate O-Ring	1
29	*/***	Inboard Seal Plate O-Ring	1
01	*	Impeller	1
05		Bearing Housing	1
08		Air Vent	1
10		Bearing Cap	1
12		Impeller Shaft	1
13	*	Shaft Key	1
17		Impeller Adjusting Washers	1 Set
19		Seal Plate	1
21		Impeller Washer	1
22		Impeller Capscrew	1
26		Sight Gauge	1

NOTES:

Parts included in assembly kit are shown in shaded area.

*Recommended spare part

**Part sold separate from kit

***Included with mechanical seal



PUMP SUPPLY
INCORPORATED



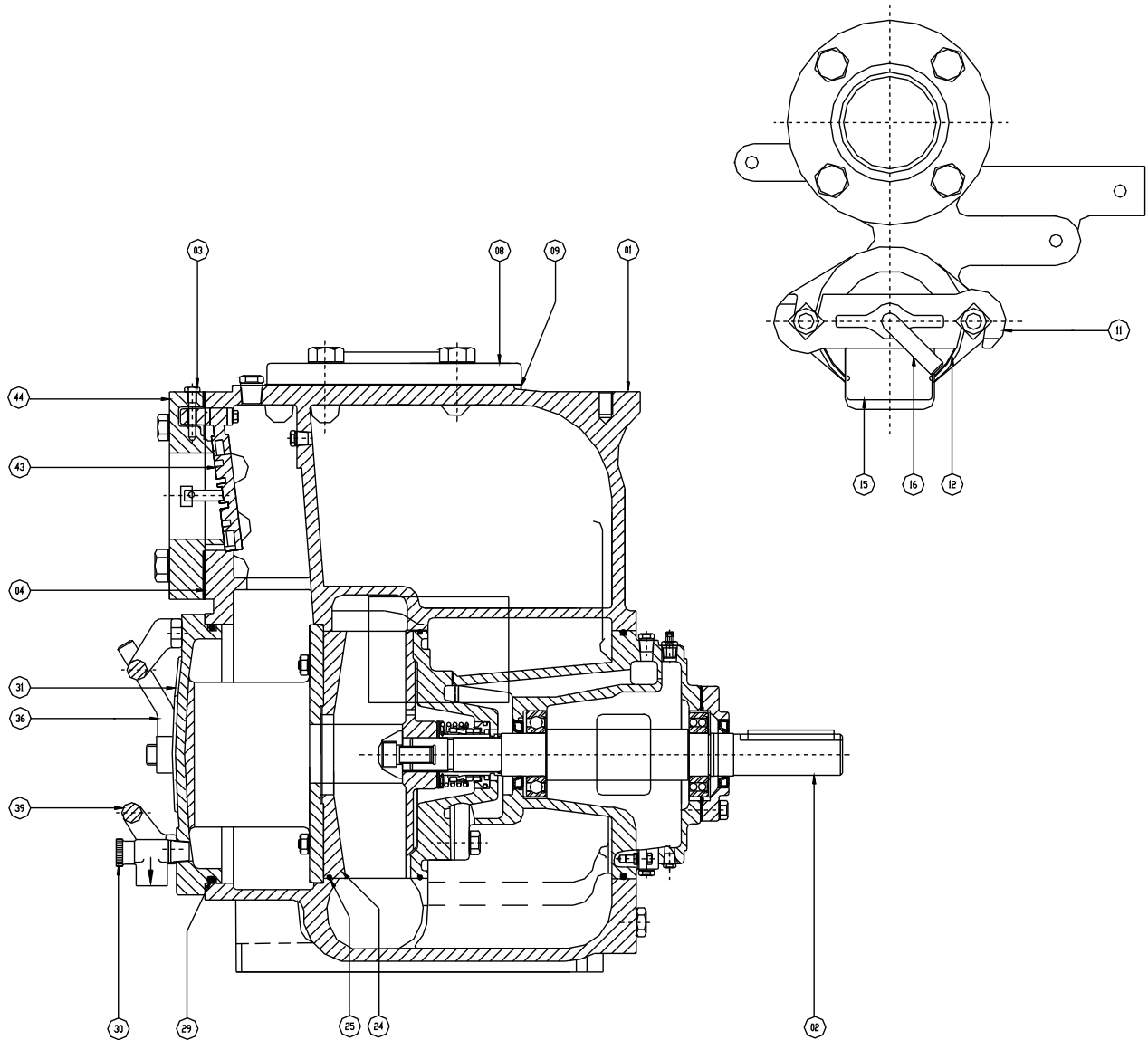
EBARA Self Priming Trash Pump

EFQT/EFQU

Sectional View

Project: _____ Model: _____ Chk'd: _____ Date: _____



Model EFQU 3, 4
Figure 2



Illinois Location:
 (847) 841-7867
 860 Church Rd Elgin, IL 60123

Minnesota Location:
 (651) 758-7867
 330 Mill Bay South Suite 1511
 Afton, MN 55001

PumpSupplyInc.com



EBARA Self Priming Trash Pump**EFQT/EFQU****Sectional View – Part Numbers**

Project: _____ Model: _____ Chk'd: _____ Date: _____

Model EFQU3/EFQU4**Figure 2. Pump Model**

Callout #	Notes	Part Name	QTY
01		Pump Casing	1
02	*	Rotating Assembly	1
08		Discharge Flange	1
09	*	Discharge Gasket	1
11		Clamp Bar	1
16		Clamp Bar Screw	1
36		Hand Nut	2
44		Suction Flange	1
	*	Check Valve Assembly	1
03		Check Valve Pin	1
04		Suction Flange Gasket	1
43		Suction Check Valve	1
	*	Fill Cover Assembly	1
12		Fill Cover Gasket	1
15		Fill Cover Plate	1
		Back Cover Plate Assembly	1
24	*/**	Wear Plate	1
25	*/**	Wear Plate O-Ring	1
29	*/**	Back Cover O-Ring	1
31	**	Back Cover Plate	1
30	**	Pressure Relief Valve	1
39		Cover Plate Handle	1

NOTES:

Parts included in assembly kit are shown in shaded area.

*Recommended spare part

**Part sold separate from kit



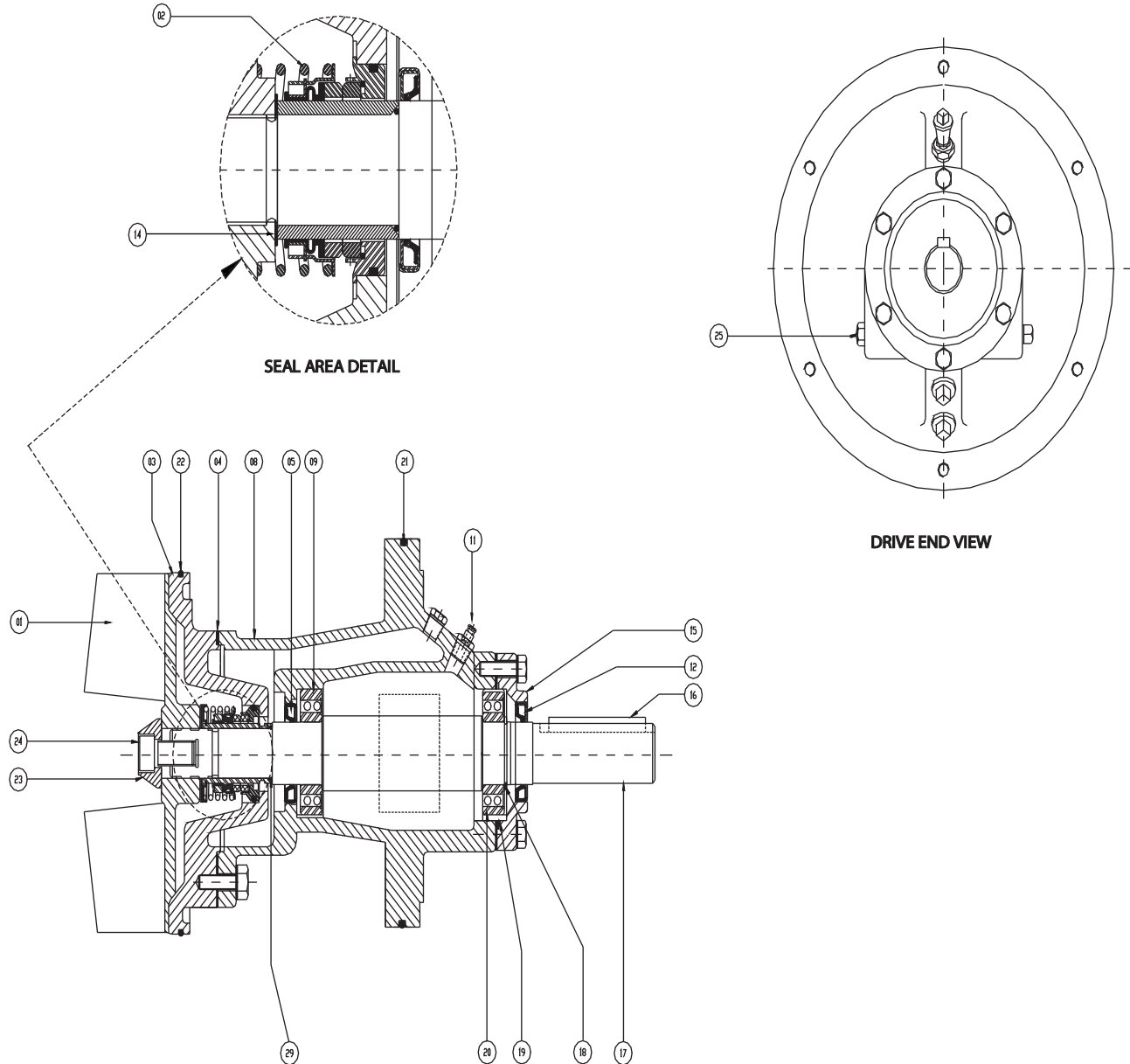
EBARA Self Priming Trash Pump

EFQT/EFQU

Sectional View

Project: _____ Model: _____ Chk'd: _____ Date: _____

**Model EFQU6 – Repair Rotating Assembly
Figure 1**



Illinois Location:
 (847) 841-7867
 860 Church Rd Elgin, IL 60123

Minnesota Location:
 (651) 758-7867
 330 Mill Bay South Suite 1511
 Afton, MN 55001

PumpSupplyInc.com

**PUMP SUPPLY
INCORPORATED**



EBARA Self Priming Trash Pump**EFQT/EFQU****Sectional View – Part Numbers**

Project:

Model:

Chk'd:

Date:

Model EFQU6**Figure 1. Repair Rotating Assembly**

Callout #	Notes	Part Name	QTY
Rotating Assembly Rebuild Kit			1
02	*/**	Mechanical Seal	1
04	*/**	Seal Plate Gasket	1
05	*/**	Inboard Oil Seal	1
09	*/**	Inboard Ball Bearing	1
12	*/**	Outboard Oil Seal	1
18		Bearing Retaining Ring	1
19	*/**	Bearing Cap Gasket	1
20	*/**	Outboard Ball Bearing	1
21	*/**	Rotating Assembly O-Ring	1
22	*/**	Seal Plate O-Ring	1
29	*/***	Inboard Seal Plate O-Ring	1
01	*	Impeller	1
03		Seal Plate	1
08		Bearing Housing	1
11		Air Vent	1
14		Impeller Adjusting Washers	1 Set
15		Bearing Cap	1
16	*	Shaft Key	1
17		Impeller Shaft	1
23		Impeller Washer	1
24		Impeller Capscrew	1
25		Sight Gauge	1

NOTES:

Parts included in assembly kit are shown in shaded area.

*Recommended spare part

**Part sold separate from kit

***Included with mechanical seal



PUMP SUPPLY
INCORPORATED



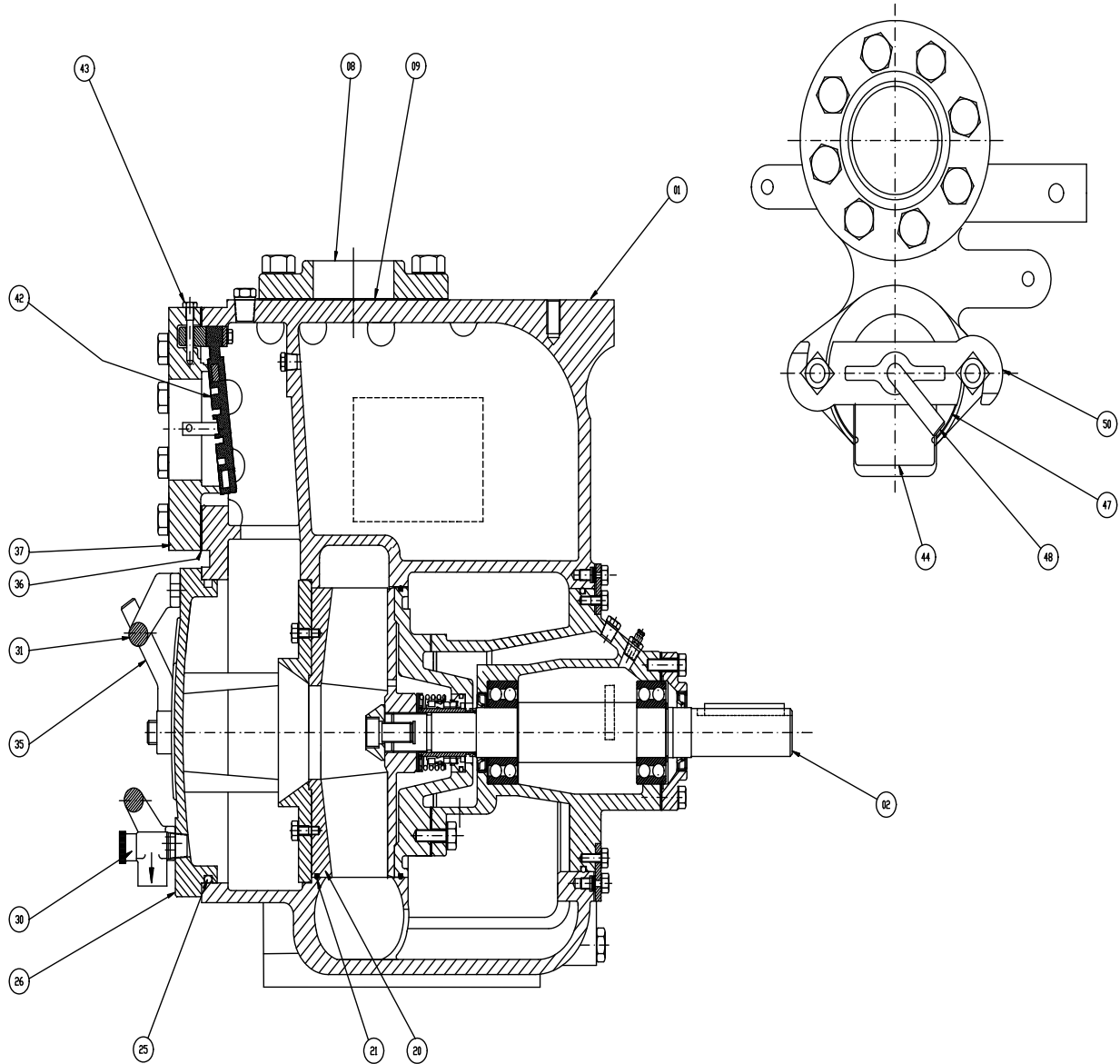
EBARA Self Priming Trash Pump

EFQT/EFQU

Sectional View

Project: _____ Model: _____ Chk'd: _____ Date: _____

**Model EFQU6
Figure 2**



Illinois Location:
 (847) 841-7867
 860 Church Rd Elgin, IL 60123

Minnesota Location:
 (651) 758-7867
 330 Mill Bay South Suite 1511
 Afton, MN 55001

PumpSupplyInc.com

PUMP SUPPLY
INCORPORATED



EBARA Self Priming Trash Pump**EFQT/EFQU****Sectional View – Part Numbers**

Project:

Model:

Chk'd:

Date:

Model EFQU6**Figure 2. Pump Model**

Callout #	Notes	Part Name	QTY
01		Pump Casing	1
02	*	Rotating Assembly	1
08		Discharge Flange	1
09	*	Discharge Gasket	1
35		Hand Nut	2
37		Suction Flange	1
48		Clamp Bar Screw	1
50		Clamp Bar	1
	*	Check Valve Assembly	1
43		Check Valve Pin	1
42		Suction Check Valve	1
36		Suction Flange Gasket	1
	*	Fill Cover Assembly	1
44		Fill Cover Plate	1
47		Fill Cover Gasket	1
		Back Cover Plate Assembly	1
20	*/**	Wear Plate	1
21	*/**	Wear Plate O-Ring	1
25	*/**	Back Cover O-Ring	1
26	**	Back Cover Plate	1
30	**	Pressure Relief Valve	1
31		Cover Plate Handle	2

NOTES:

Parts included in assembly kit are shown in shaded area.

*Recommended spare part

**Part sold separate from kit



PUMP SUPPLY
INCORPORATED