

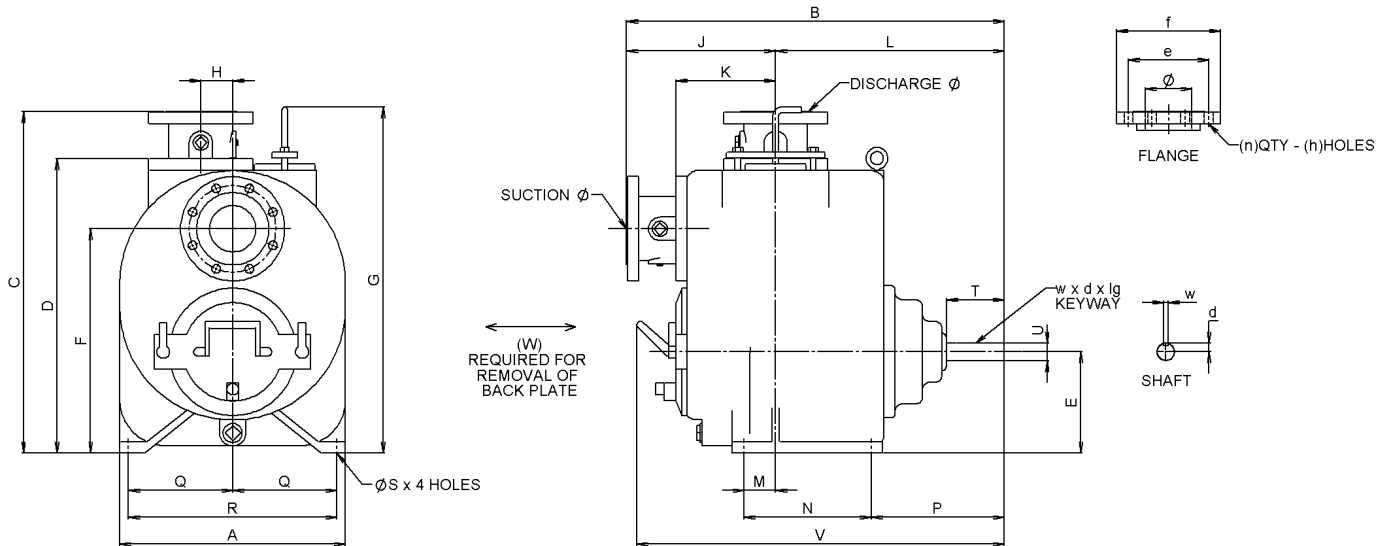
EBARA Self Priming Trash Pump

EFQT/EFQU

Dimensions

Project: _____ Model: _____ Chk'd: _____ Date: _____

Model EFQT 2, 3, 4, 6



Unit: inches

1Z[%]Ø	.B5%+	!	"	#	\$	%	&	'	()	*	+	,	-	.	/	0	1	2	3	4	5
6	%&/26	768 79	6; 8<97=	67	7=8>9;	?@797=	768 79	678 @7=	68>9;	@<97=	=	??	68>9;	=8 796	7A8<9;	?8 796	77	@77=	; 8 79;	78 796	6>8 ?97=	7: 8 79;
>	%&/2>	7<	6;	6<8 79;	678<9;	<8 796	7<8 79;	6=8<9;	68 79;	778<9;	<8 79;	7<8 79;	>	@	778 79;	<8>9;	778 796	7797=	; 8 797=	78 796	6<8 796	7: 8 79;
;	%&/2;	7@ 796	>68 ?9;	6@ 796	678<97=	: 8>9;	7@>9;	6@<9;	68>9;	768<9;	: 8 79;	7@>9;	68>9;	77	778 796	@	7;	7797=	? 78 796	>78>9;	7: 8 79;	
=	%&/2=	668 79;	>8 @97	>87>97=	6@>9;	7A8 79;	668 @97	>8 @7=	68 @97=	7; 8797=	7A8 79;	7@>9;	>8>9;	77	76	7A8>9;	6A8>9;	>9;	? 78 796	>>8 79;	7: 8 79;	

Unit: mm

1Z[%]Ø	.B5%+	!	"	#	\$	%	&	'	()	*	+	,	-	.	/	0	1	2	3	4	5
6	%&/26	>A;	=67	?>>	; 6?	777	>67	?;	<A	6; A	776	>7	=A	7=?	6<=	7; A	6<@	7;	7A?	>:	?@	;=;
>	%&/2>	; >6	=@@	=@	??=	7@	; >:	=; >	<=	>A6	7;	; >?	<=	66@	6; >	7@	>@	7<	7A>	>:	=@@	;=;
;	%&/2;	; @	: 6@	<; @	=; =	666	; @	<?@	<A	>6<	67@	?A6	<A	6<@	6@	66@	; ?<	7<	76<	>:	: A=	;=;
=	%&/2=	?<?	<:	;;	<?>	6=A	?<	<:	=?	><@	6=A	; @	:=	6<@	>A?	6=;	76<	7@	76<	>:	; ; 7	;=;

Unit: inches

1Z[%]Ø	.B5%+	2\.	H	Q	S	N	01Z1%S8&I#%	01Z1%S8&I#%
6	%&/26	6 8 - 128?A^	; 8>9;	=	;	>9;	\%Q	>8 79;
>	%&/2>	> 8 - 128?A^	=	<8 796	;	>9;	- B	P
;	%&/2;	; 8 - 128?A^	<8 796	@	;	>9;	\%Q	=8 >97=
=	%&/2=	= 8 - 128?A^	@ 796	77	;	<9;	\%Q	: 8 796

*% 5!\		
K	G	IT
>9;	>97=	>
>9;	>97=	>8>9;
>9;	>97=	; 8 79;
>9;	>97=	>8<9;

Unit: mm

1Z[%]Ø	.B5%+	2\.	H	Q	S	N	01Z1%S8&I#%	01Z1%S8&I#%
?A	%&/26	6 8 - 128?A^	767	776	7A6	7@	\%1	@6
:A	%&/2>	> 8 - 128?A^	776	7@7	7A6	7@	- B	P
7AA	%&/2;	; 8 - 128?A^	7@7	66@	6A>	7@	\%1	7?<
7?A	%&/2=	= 8 - 128?A^	6;7	6<@	6A>	66	\%1	67=

*% 5!\		
K	G	IT
7A	?	<=
7A	?	@?
7A	?	7A?
7A	?	@:

Illinois Location:
 (847) 841-7867
 860 Church Rd Elgin, IL 60123

Minnesota Location:
 (651) 758-7867
 330 Mill Bay South Suite 1511
 Afton, MN 55001

PumpSupplyInc.com



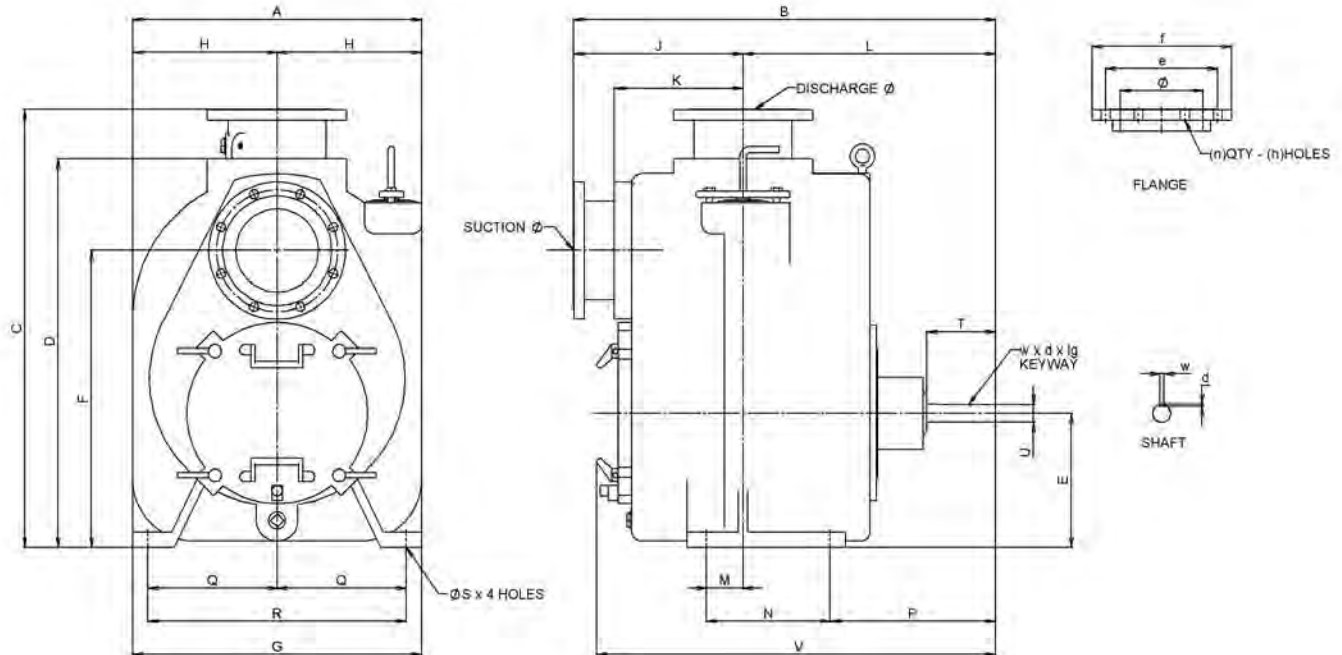
EBARA Self Priming Trash Pump

EFQT/EFQU

Dimensions

Project: _____ Model: _____ Chk'd: _____ Date: _____

Model EFQT 8



Unit: inches

1Z[%Ø]	.B5%+																					
:	%Ø/2:	6:	;A8<9:	;68>9:	><8 @7=	7>	6: 8797=	6:	7;	7=8<97=	768 796	6; 8<97=	>8 @7=	76	7=	768 796	6?	<9:	=8 79:	78 >9:	>:8 79:	6;

Unit: mm

1Z[%Ø]	.B5%+																					
:	%Ø/2:	<77	7A>:	7A<=	@;	>>A	<6@	<77	7;	;7:	*	=	@	>A?	;A=	>7:	=>?	66	7=:	;	@7	=7A

Unit: inches

1Z[%Ø]	.B5%+							±: ' %			
:	%Ø/2:	: 8- 1287?A^	778 >9:	7>8 796	:	<9:	01Z1%\$8&1#%	01Z1%\$8&1#%	7A8 796		

*%A 5!\		
K	G	IT
>9:	>97=	?8 79:

Unit: mm

1Z[%Ø]	.B5%+							±: ' %			
:	%Ø/2:	: 81- 1287?A^	6@:	>>	6A>	66	01Z1%\$8&1#%	01Z1%\$8&1#%	6=<		

*%A 5!\		
K	G	IT
7A	?	7;>

Illinois Location:
 (847) 841-7867
 860 Church Rd Elgin, IL 60123

Minnesota Location:
 (651) 758-7867
 330 Mill Bay South Suite 1511
 Afton, MN 55001

PumpSupplyInc.com



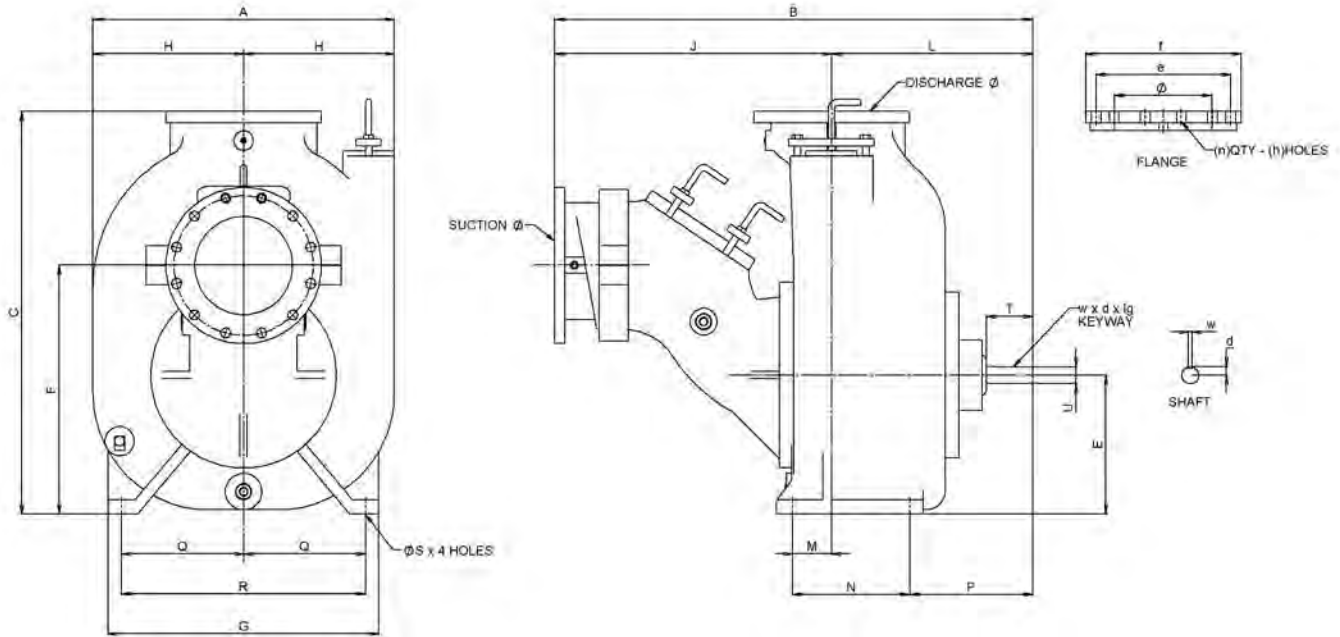
EBARA Self Priming Trash Pump

EFQT/EFQU

Dimensions

Project: _____ Model: _____ Chk'd: _____ Date: _____

Model EFQT10



Unit: inches

1Z[Ø]	,BS%+																					
7A	%&/27A	>A8 <9:	;@	;7 8 79;	- 9!	7;8 79;	6;78 <97=	6<8 >9;	- 9!	6:8 >9:	- 9!	6A8 79:	;	76	768 79:	768 796	6?	<9:	;8 >9;	78 >9;	- 9!	- 9!

Unit: mm

1Z[Ø]	,BS%+																					
7A	%&/27A	<;	76;?	7A;:	- 9!	>=6	=;=	<A?	- 9!	<67	- 9!	+;	7A6	>A?	>67	>7:	=>?	66	767	;;	- 9!	- 9!

Unit: inches

1Z[Ø]	,BS%+									&+L: ' %
7A	%&/27A	2_%	H	Q	S	N	01Z1%S8&I#%	01Z1%S8&I#%		

*%A 5!\		
K	G	IT
>9:	>97=	;8 79;

Unit: mm

1Z[Ø]	,BS%+									&+L: ' %
67A	%&/27A	7A]8!- 1Z87?A^	>=6	;A=	>A?	6?	- B	P		

*%A 5!\		
K	G	IT
7A	?	7A:

Illinois Location:
 (847) 841-7867
 860 Church Rd Elgin, IL 60123

Minnesota Location:
 (651) 758-7867
 330 Mill Bay South Suite 1511
 Afton, MN 55001

PumpSupplyInc.com



EBARA Self Priming Trash Pump

EFQT/EFQU

Dimensions

Project: _____ Model: _____ Chk'd: _____ Date: _____

Model EFQT12 – Please Consult Factory

Unit: inches

1Z[%]B\$%+																.3.						
76	%&/276	!	"	#	\$	%	&	'	()	*	+	,	-	.	/	0	1	2	3	4	5

#DSJXIM8&ORMDEY

Unit: mm

1Z[%]B\$%+																.3.						
76	%&/276	!	"	#	\$	%	&	'	()	*	+	,	-	.	/	0	1	2	3	4	5

#DSJXIM8&ORMDEY

Unit: inches

1Z[%]B\$%+											&+L-' %
76	%&/276	2\.	%	H	Q	S	N	01Z1%\$8&I#%	01Z1%\$8&I#%	#DSJXIM8&ORMDEY	

*%5!\		
K	G	IT
#DSJXIM8&ORMDEY		

Unit: mm



1Z[%]B\$%+											&+L-' %
>AA	%&/276	2\.	%	H	Q	S	N	01Z1%\$8&I#%	01Z1%\$8&I#%	#DSJXIM8&ORMDEY	

*%5!\		
K	G	IT
#DSJXIM8&ORMDEY		

Illinois Location:
 (847) 841-7867
 860 Church Rd Elgin, IL 60123

Minnesota Location:
 (651) 758-7867
 330 Mill Bay South Suite 1511
 Afton, MN 55001

PumpSupplyInc.com



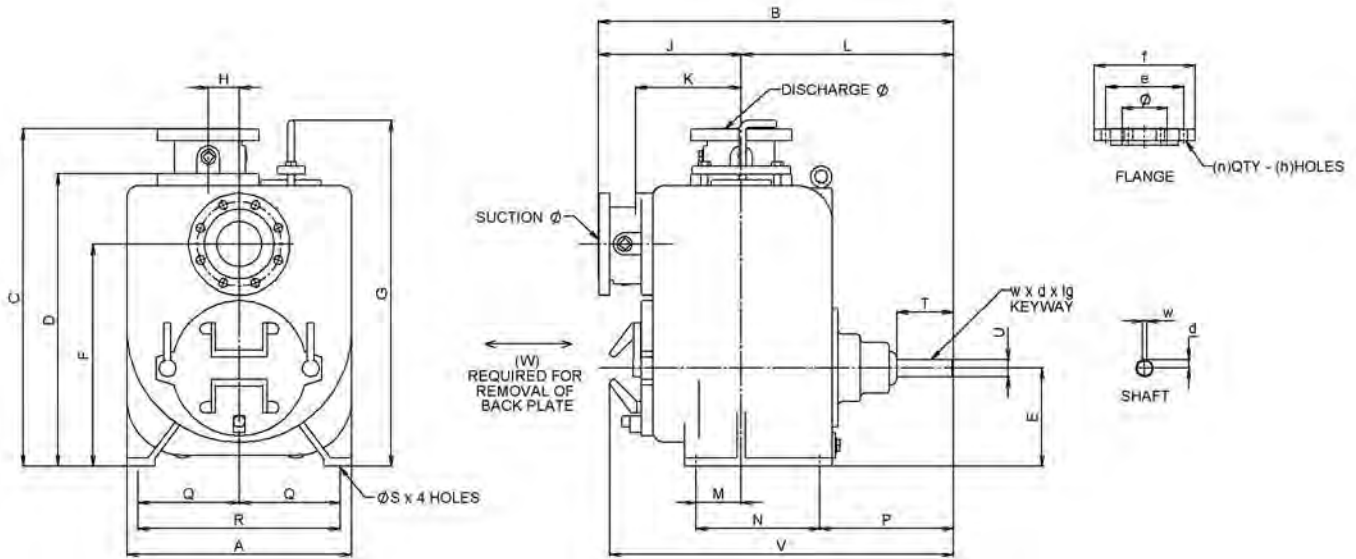
EBARA Self Priming Trash Pump

EFQT/EFQU

Dimensions

Project: _____ Model: _____ Chk'd: _____ Date: _____

Model EFQU 3, 4, 6



Unit: inches

1Z[%]Ø	.BS%+	!	"	#	\$	%	&	'	()	*	+	,	-	.	/	0	1	2	3	4	5
>	%&/3>	7<8 79;	6: 87>9#	6<8 796	668 797=	<8 @97=	7<	6=87?97=	68 >9;	76	<8 @97=	7=87>97+	>8 >9;	@	778 >97=	<8 >9;	778 796	7797=	;8 797=	78 796	6<8 <97=	7:
;	%&/3;	6A	>78 79	6@?97=	6?8?97=	:8 >9;	7@?797=	>A8?797=	68 >9;	768 >9;	@ >9	7: 8 <9	;	77	778 <9	@	7:	7797=	? 78 796	>A8 @?7=	7:	
=	%&/3=	6>	>=8 >9	>: 8 >9	6@? 79	7A8 79;	668 797=	>: 8 797=	68 >9;	7: 8 >9;	77	678 79	>8 >9;	77	7:	7A8 >9;	6A8 >9;	7797=	; 8 >9;	78 >9;	>:	7:

-B 2%380E3 DGHIJK LMN8QUR HGFQPRSTUVW X YZ[]^_`a bcd efgh ijklmnopqrstuvw

Unit: mm

1Z[%]Ø	.BS%+	!	"	#	\$	%	&	'	()	*	+	,	-	.	/	0	1	2	3	4	5
>	%&/3>	; >	<>6	<@	?<	7@	; >6	=<:	<A	>A?	7@	; <6	:=	66@	6:	7@	>@	7<	7A>	>:	=@	; ?<
;	%&/3;	?A:	:A>	<=A	=?@	666	?AA	<<@	<A	>6;	6>:	; <@	7A6	6<@	>A6	66@	; ?<	7<	76<	>:	<<=	; ?<
=	%&/3=	?:	@;	>:	<?6	6=A	?<	!>?	<A	><?	6<@	?; @	:=	6<@	>?=	6=;	?6<	7<	767	;;	!>:	; ?<

-B 2%380E3 DGHIJK LMN8QUR HGFQPRSTUVW X YZ[]^_`a bcd efgh ijklmnopqrstuvw

Unit: inches

1Z[%]Ø	.BS%+	2\.	%	H	Q	S	N	O1Z1%S8&I#%	O1Z1%S8&I#%
>	%&/U>	> 8 - 1287?A	^	=	<8 796	;	>9;	- B	P
;	%&/U;	; 8 - 1287?A	^	<8 796	@	:	>9;	\%1	=8 >97=
=	%&/U=	= 8 - 1287?A	^	@8796	77	:	<9;	\%1	:8 796

*%51\		
K	G	IT
>9;	>97=	>
>9;	>97=	;
>9;	>97=	>8 796

Unit: mm

1Z[%]Ø	.BS%+	2\.	%	H	Q	S	N	O1Z1%S8&I#%	O1Z1%S8&I#%
>	%&/U>	> 8 - 1287?A	^	776	7@7	7A6	7@	- B	P
;	%&/U;	; 8 - 1287?A	^	7@7	66@	6A>	7@	\%1	7?<
=	%&/U=	= 8 - 1287?A	^	6:7	6<@	6A>	66	\%1	67=

*%51\		
K	G	IT
7A	?	<=
7A	?	7A6
7A	?	@

Illinois Location:
 (847) 841-7867
 860 Church Rd Elgin, IL 60123

Minnesota Location:
 (651) 758-7867
 330 Mill Bay South Suite 1511
 Afton, MN 55001

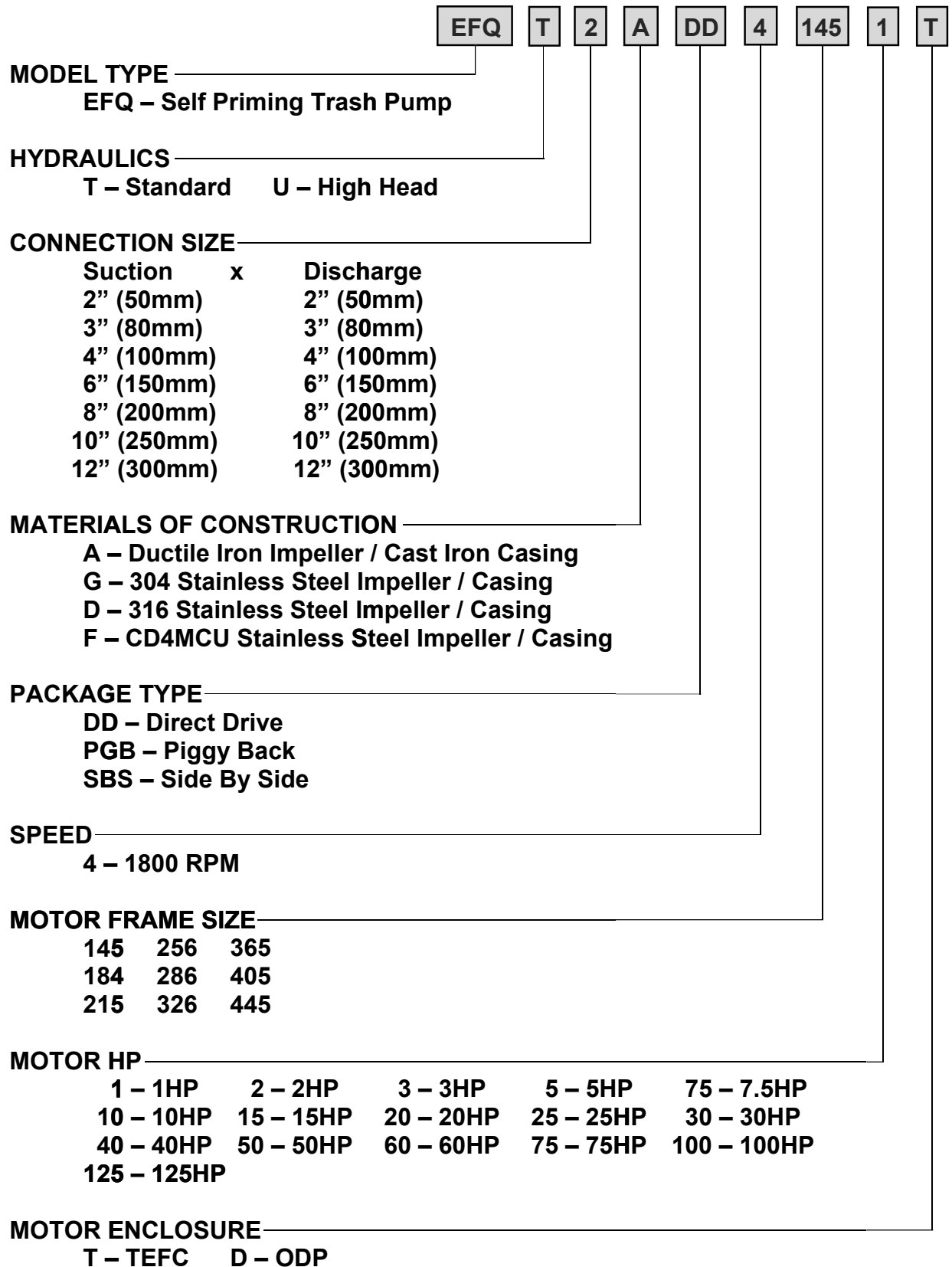
PumpSupplyInc.com



EBARA Self Priming Trash Pump

EFQT/EFQU

Model Designation – Skid Packages



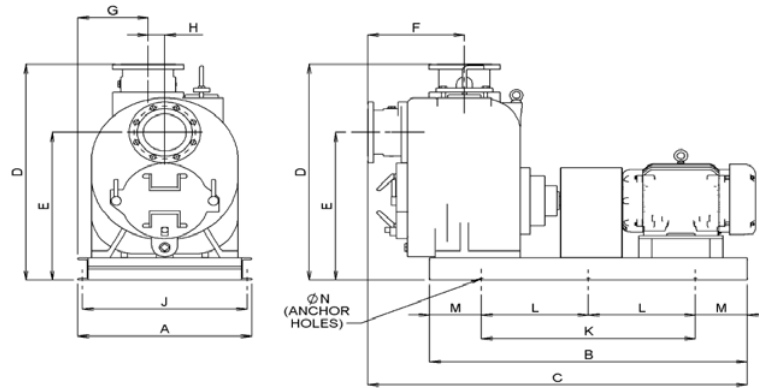
EBARA Self Priming Trash Pump

EFQT/EFQU

Dimensions

Project: _____ Model: _____ Chk'd: _____ Date: _____

EFQT/EFQU Skid Package - Direct Drive Model
Model EFQT 2, 3, 4, 6



Unit: inches

PUMP MODEL	NEMA MOTOR FRAME	A	B	C	D	E	F	G	H	J	K	L	M	ØN	
EFQT2	145T	17 1/2	32	37 9/16	24	15 5/8	9 7/16	6	2 3/4	16 1/8	20	N/A	6	9/16	
	184T		34	39 9/16							22				
	215T		37	42 9/16							25				
	256T		44	49 9/16							32				16
EFQT3	145T	21 1/2	37	43 7/8	31 1/4	21 1/4	11 7/8	8 1/8	2 3/4	20 1/8	21	N/A	8	9/16	
	184T		38	44 7/8							22				
	215T		40	46 7/8							24				
	256T		45	51 7/8							29				
	286T		47	53 7/8							31				16
EFQT4	145T	23 11/16	40	48 1/8	33 1/2	23 7/8	12 7/8	9 1/16	2 3/4	22 5/16	28	N/A	8	9/16	
	184T		41	49 1/8							29				
	215T		43	51 1/8							31				
	256T		48	56 1/8							36				18
	286T		50	58 1/8							38				19
EFQT6	145T	26 13/16	40	49 9/16	38 13/16	26 9/16	14 15/16	10 13/16	2 3/4	25 7/16	24	N/A	8	9/16	
	184T		41	50 9/16							25				
	215T		44	53 9/16							28				
	256T		49	58 9/16							33				16 1/2
	286T		51	60 9/16							35				17 1/2
	326T		52	61 9/16							36				18

Unit: mm

PUMP MODEL	NEMA MOTOR FRAME	A	B	C	D	E	F	G	H	J	K	L	M	ØN	
EFQT2	145T	445	813	954	610	397	240	152	70	410	508	N/A	152	14	
	184T		864	1005							559				
	215T		940	1081							635				
	256T		1118	1259							813				406
EFQT3	145T	546	940	1114	794	540	302	206	70	511	533	N/A	203	14	
	184T		965	1140							559				
	215T		1016	1191							610				
	256T		1143	1318							737				
	286T		1194	1368							787				394
EFQT4	145T	602	1016	1222	851	606	327	230	70	567	711	N/A	203	14	
	184T		1041	1248							737				
	215T		1092	1299							787				
	256T		1219	1426							914				457
	286T		1270	1476							965				483
EFQT6	145T	681	1016	1259	986	675	379	275	70	646	610	N/A	203	14	
	184T		1041	1284							635				
	215T		1118	1360							711				
	256T		1245	1487							838				419
	286T		1295	1538							889				445
	326T		1321	1564							914				457



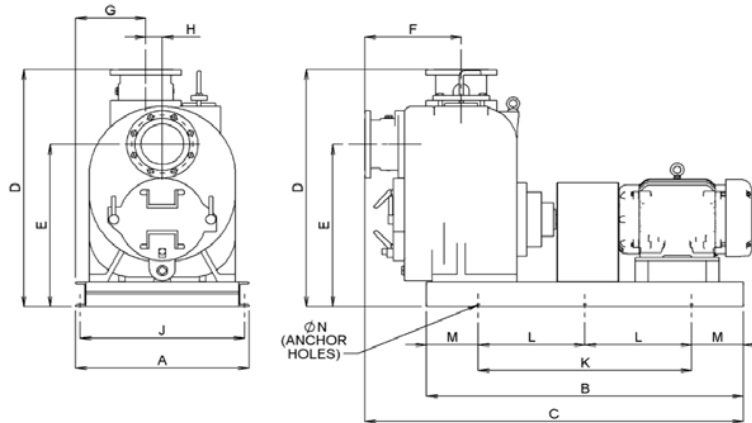
EBARA Self Priming Trash Pump

EFQT/EFQU

Dimensions

Project: _____ Model: _____ Chk'd: _____ Date: _____

EFQT/EFQU Skid Package - Direct Drive Model
Model EFQT 8, 10, 12



Unit: inches

PUMP MODEL	NEMA MOTOR FRAME	A	B	C	D	E	F	G	H	J	K	L	M	ØN
EFQT8	215T	33 1/16	51	60 7/8	48 3/8	34 11/16	16 7/16	16 9/16	N/A	31 11/16	35	17 1/2	8	9/16
	256T		54	63 7/8							38	19		
	286T		57	66 7/8							41	20 1/2		
	326T		60	69 7/8							44	22		
	365T		62	71 7/8							46	23		
	405T		65	74 7/8							49	24 1/2		
EFQT10	215T	33 1/4	48	68 3/8	49 1/4	33 1/2	28 3/8	16 5/8	N/A	31 1/4	32	16	13/16	
	256T		53	73 3/8							37	18 1/2		
	286T		56	76 3/8							40	20		
	326T		58	78 3/8							42	21		
	365T		61	81 3/8							45	22 1/2		
	405T		63	83 3/8							47	23 1/2		
EFQT12	256T	Consult Factory												
	286T	Consult Factory												
	326T	Consult Factory												
	365T	Consult Factory												
	405T	Consult Factory												
445T	Consult Factory													

Unit: mm

PUMP MODEL	NEMA MOTOR FRAME	A	B	C	D	E	F	G	H	J	K	L	M	ØN
EFQT8	215T	840	1295	1546	1229	881	418	421	N/A	805	889	445	203	14
	256T		1372	1622							965	483		
	286T		1448	1699							1041	521		
	326T		1524	1775							1118	559		
	365T		1575	1826							1168	584		
	405T		1651	1902							1245	622		
EFQT10	215T	845	1219	1737	1251	851	721	422	N/A	794	813	406	21	
	256T		1346	1864							940	470		
	286T		1422	1940							1016	508		
	326T		1473	1991							1067	533		
	365T		1549	2067							1143	572		
	405T		1600	2118							1194	597		
EFQT12	256T	Consult Factory												
	286T	Consult Factory												
	326T	Consult Factory												
	365T	Consult Factory												
	405T	Consult Factory												
445T	Consult Factory													



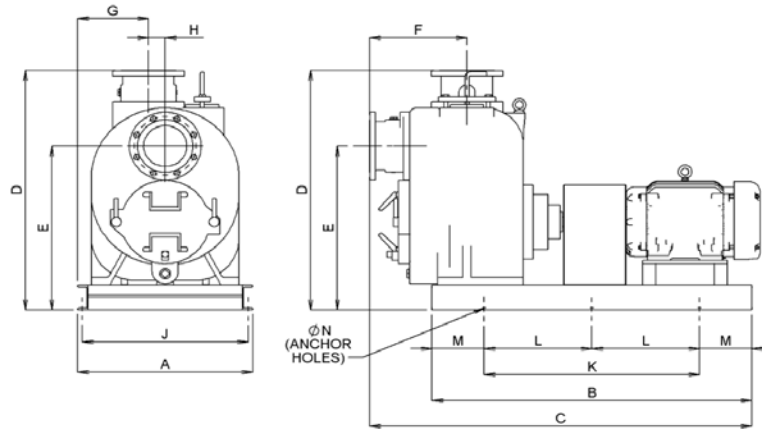
EBARA Self Priming Trash Pump

EFQT/EFQU

Dimensions

Project: _____ Model: _____ Chk'd: _____ Date: _____

**EFQT/EFQU Skid Package - Direct Drive Model
Model EFQU 3, 4, 6**



Unit: inches

PUMP MODEL	NEMA MOTOR FRAME	A	B	C	D	E	F	G	H	J	K	L	M	ØN	
EFQU3	145T	21 1/2	37	43 5/8	31 1/2	21	12	8		20 1/8	21	N/A			
	184T		38	44 5/8							22				
	215T		40	46 5/8							24				
	256T		45	51 5/8							29				
	286T		47	53 5/8							31				15 1/2
EFQU4	184T	24 3/16	41	47 3/4	33 15/16	23 11/16	12 3/4	9 5/16	2 3/4	22 13/16	29	N/A	8	9/16	
	215T		44	50 3/4							32				
	256T		48	54 3/4							36				18
	286T		50	56 3/4							38				19
	326T		52	58 3/4							40				20
EFQU6	184T	27 3/16	43	52 3/8	38 3/4	26 5/16	14 3/4	10 13/16		25 13/16	27	N/A			
	215T		46	55 3/8							30				
	256T		51	60 3/8							35				17 1/2
	286T		54	63 3/8							38				19
	326T		54	63 3/8							38				19
365T	56	65 3/8	40	20											

Unit: mm

PUMP MODEL	NEMA MOTOR FRAME	A	B	C	D	E	F	G	H	J	K	L	M	ØN	
EFQU3	145T	546	940	1108	800	533	305	203		511	533	N/A			
	184T		965	1133							559				
	215T		1016	1184							610				
	256T		1143	1311							737				
	286T		1194	1362							787				394
EFQU4	184T	614	1041	1213	862	602	324	237	70	579	737	N/A	203	14	
	215T		1118	1289							813				
	256T		1219	1391							914				457
	286T		1270	1441							965				483
	326T		1321	1492							1016				508
EFQU6	184T	691	1092	1330	984	668	375	275		656	686	N/A			
	215T		1168	1407							762				
	256T		1295	1534							889				445
	286T		1372	1610							965				483
	326T		1372	1610							965				483
365T	1422	1661	1016	508											



**PUMP SUPPLY
INCORPORATED**

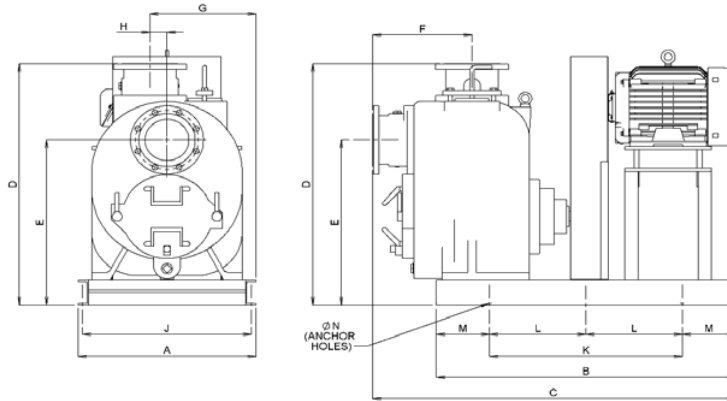
EBARA Self Priming Trash Pump

EFQT/EFQU

Dimensions

Project: _____ Model: _____ Chk'd: _____ Date: _____

EFQT/EFQU Skid Package - Piggy Back Model
Model EFQT 2, 3, 4, 6



Unit: inches

PUMP MODEL	NEMA MOTOR FRAME	A	B	C	D	E	F	G	H	J	K	L	M	ØN			
EFQT2	145T	19	30	35 9/16	24	15 5/8	9 7/16	12 1/4	2 3/4	17 5/8	18	N/A	6	9/16			
	184T		31	36 9/16							19						
	215T		33	38 9/16							17						
	256T	20	38	43 9/16							22						
EFQT3	145T	22 1/4	32 1/2	39 7/8	30 1/4	20 1/4	11 7/8	13 3/4		2 3/4	20 7/8		17		N/A	8	9/16
	184T		34	41 3/8									18 1/2				
	215T		36	43 3/8									20 1/2				
	256T		41	48 3/8									25 1/2				
	286T		43 1/2	50 7/8					28								
EFQT4	145T	23 5/8	37	45 1/8	33 1/2	23 7/8	12 7/8	14 9/16	2 3/4		22 1/4	21	N/A	8		9/16	
	184T		38	46 1/8								22					
	215T		39	47 1/8								23					
	256T		44	52 1/8								28					
	286T		46	54 1/8								30					
EFQT6	145T	26 13/16	38 1/2	48 1/16	38 13/16	26 9/16	14 7/8	15 15/16		2 3/4	25 7/16	22 1/2		N/A	15		9/16
	184T		38	47 9/16								22					
	215T		40 1/2	50 1/16								24 1/2					
	256T		45	54 9/16			29										
	286T		46	55 9/16			30										
	326T		48	57 9/16			32										

Unit: mm

PUMP MODEL	NEMA MOTOR FRAME	A	B	C	D	E	F	G	H	J	K	L	M	ØN			
EFQT2	145T	483	762	903	610	397	240	311	70	448	457	N/A	152	14			
	184T		787	929							483						
	215T		838	979							432						
	256T	508	965	1106							559						
EFQT3	145T	565	826	1013	768	514	302	349		70	530		432		N/A	203	14
	184T		864	1051									470				
	215T		914	1102									521				
	256T		1041	1229									648				
	286T		1105	1292					711								
EFQT4	145T	600	940	1146	851	606	327	370	70		565	533	N/A	203		14	
	184T		965	1172								559					
	215T		991	1197								584					
	256T		1118	1324								711					
	286T		1168	1375								762					
EFQT6	145T	681	978	1221	986	675	378	405		70	646	572		N/A	381		14
	184T		965	1208			559										
	215T		1029	1272			622										
	256T		1143	1386			737										
	286T		1168	1411			762										
	326T		1219	1462			813										



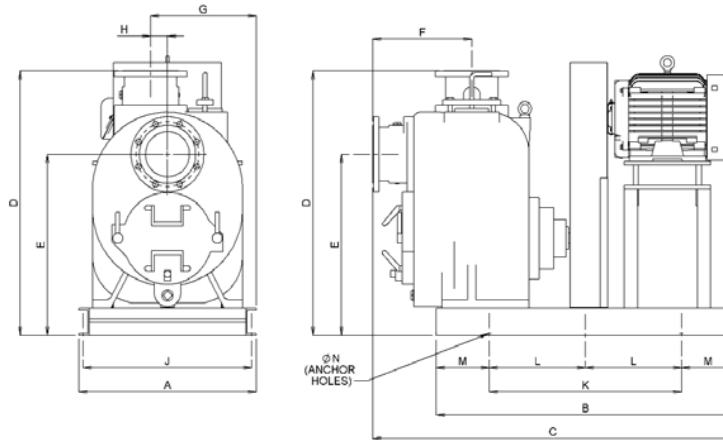
EBARA Self Priming Trash Pump

EFQT/EFQU

Dimensions

Project: _____ Model: _____ Chk'd: _____ Date: _____

**EFQT/EFQU Skid Package - Piggy Back Model
Model EFQT 8, 10, 12**



Unit: inches

PUMP MODEL	NEMA MOTOR FRAME	A	B	C	D	E	F	G	H	J	K	L	M	ØN
EFQT8	215T	34	46 1/2	56 3/8	50 3/8	36 11/16	16 7/16	17	N/A	32	30 1/2	N/A	8	13/16
	256T		53	62 7/8				16 3/4			37	18 1/2		
	286T		53	62 7/8				17			39	19 1/2		
	326T	33 1/2	55	64 7/8				16 3/4			40	20		
	365T	34 1/2	56	65 7/8				14 1/4			43	21 1/2		
405T	34 1/2	59	68 7/8											
EFQT10	215T	33 1/4	47	67 3/8	49 1/4	33 1/2	28 3/8	16 5/8	N/A	31 1/4	31	N/A	8	13/16
	256T		50	70 3/8							34	17		
	286T		52	72 3/8							36	18		
	326T		54	74 3/8							38	19		
	365T		56	76 3/8							40	20		
405T	60	80 3/8	44	22										
EFQT12	256T	Consult Factory												
	286T	Consult Factory												
	326T	Consult Factory												
	365T	Consult Factory												
	405T	Consult Factory												
445T	Consult Factory													

Unit: mm

PUMP MODEL	NEMA MOTOR FRAME	A	B	C	D	E	F	G	H	J	K	L	M	ØN
EFQT8	215T	864	1181	1432	1280	932	418	432	N/A	813	775	N/A	203	21
	256T		1346	1597				425			940	470		
	286T		1346	1597				432			991	495		
	326T	851	1397	1648				425			1016	508		
	365T	876	1422	1673				362			1092	546		
405T	876	1499	1749											
EFQT10	215T	845	1194	1711	1251	851	721	422	N/A	794	787	N/A	203	21
	256T		1270	1788							864	432		
	286T		1321	1838							914	457		
	326T		1372	1889							965	483		
	365T		1422	1940							1016	508		
405T	1524	2042	1118	559										
EFQT12	256T	Consult Factory												
	286T	Consult Factory												
	326T	Consult Factory												
	365T	Consult Factory												
	405T	Consult Factory												
445T	Consult Factory													



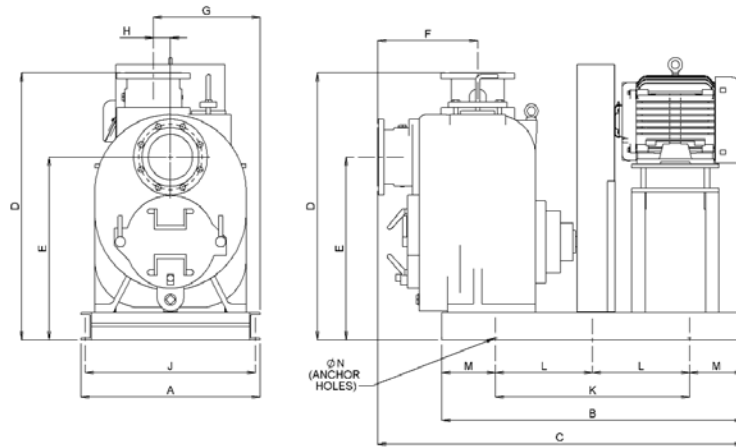
EBARA Self Priming Trash Pump

EFQT/EFQU

Dimensions

Project: _____ Model: _____ Chk'd: _____ Date: _____

**EFQT/EFQU Skid Package - Piggy Back Model
Model EFQU 3, 4, 6**



Unit: inches

PUMP MODEL	NEMA MOTOR FRAME	A	B	C	D	E	F	G	H	J	K	L	M	ØN	
EFQU3	145T	23	33	40 1/8	30 1/2	20	12	14 1/4		21 5/8	17 1/2	N/A			
	184T		34	41 1/8							18 1/2				
	215T		36	43 1/8							20 1/2				
	256T		40	47 1/8							24 1/2				
	286T		43	50 1/8							27 1/2				
EFQU4	184T	24 1/8	38	44 3/4	33 15/16	23 11/16	12 3/4	14 13/16	2 3/4	22 3/4	22	8	9/16		
	215T		40	46 3/4							24				
	256T		45	51 3/4							29				
	286T		46	52 3/4							30				
	326T		48	54 3/4							32			16	
EFQU6	184T	27 3/16	40	49 3/8	38 3/4	26 5/16	14 3/4	16 5/16		25 13/16	24	N/A			
	215T		42	51 3/8							26				
	256T		47	56 3/8							25 13/16			31	15 1/2
	286T		48	57 3/8							32			16	
	326T		50	59 3/8							25 13/16			38	17
365T	53	62 3/8	37	18 1/2											

Unit: mm

PUMP MODEL	NEMA MOTOR FRAME	A	B	C	D	E	F	G	H	J	K	L	M	ØN
EFQU3	145T	584	838	1019	775	508	305	362		549	445	N/A		
	184T		864	1045							470			
	215T		914	1095							521			
	256T		1016	1197							622			
	286T		1092	1273							699			
EFQU4	184T	613	965	1137	862	602	324	376	70	578	559	203	14	
	215T		1016	1187							610			
	256T		1143	1314							737			
	286T		1168	1340							762			
	326T		1219	1391							813			406
EFQU6	184T	691	1016	1254	984	668	375	414		656	610	N/A		
	215T		1067	1305						660				
	256T		1194	1432						690	787			394
	286T		1219	1457						813	406			
	326T		1270	1508						656	965			432
365T	1346	1584	940	470										



**PUMP SUPPLY
INCORPORATED**

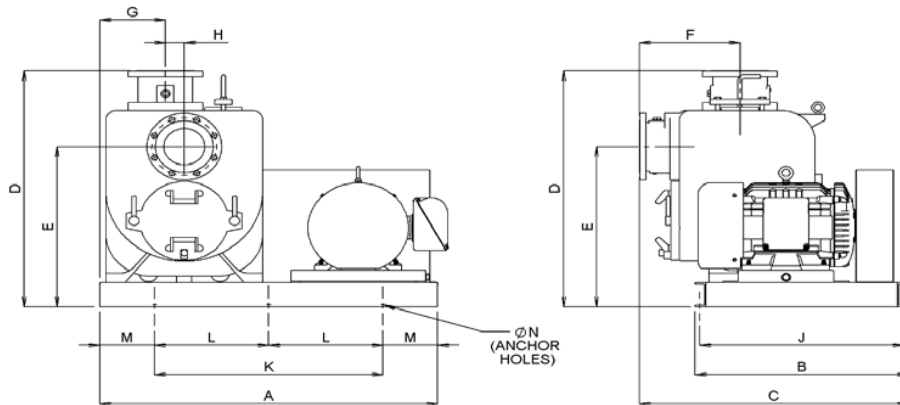
EBARA Self Priming Trash Pump

EFQT/EFQU

Dimensions

Project: _____ Model: _____ Chk'd: _____ Date: _____

EFQT/EFQU Skid Package - Side By Side Model
Model EFQT 2, 3, 4, 6



Unit: inches

PUMP MODEL	NEMA MOTOR FRAME	A	B	C	D	E	F	G	H	J	K	L	M	ØN						
EFQT2	145T	32	24 1/4	28	24	15 5/8	9 7/16	4 1/4	2 3/4	23	20	N/A	6	9/16						
	184T																			
	215T																			
	256T														25 3/4	22				
EFQT3	145T	41 1/2	27	32 11/16	31 1/4	21 1/4	11 7/8	7 1/8		25 5/8	25 1/2		8		N/A	8	9/16			
	184T																			
	215T	44	27 3/8	32 5/8						26	28									
	256T		29 1/4	27 7/8						30										
EFQT4	145T	43	28 1/4	35 5/16	33 1/2	23 7/8	12 7/8	8 1/4		26 7/8	27		27		8	N/A		9/16		
	184T			33 5/16																
	215T			35 7/16																
	256T			44															28 1/4	35 5/16
	286T			46					29 3/8			35 7/16		28					30	
EFQT6	145T	47 1/4	29	37 3/8	38 13/16	26 9/16	14 15/16	9 13/16	27 5/8	31	31 1/4	16 1/2	18	9/16						
	184T														47 1/2	37 3/8			31 1/2	31 1/2
	215T																			
	256T	49 1/2	29 1/8	38 7/16						27 3/4	33 1/2				16 3/4					
	286T															49 1/2	29 1/8		38 7/16	27 3/4
	326T	52	32 1/2	38 7/16						31 1/8	36				18					

Unit: mm

PUMP MODEL	NEMA MOTOR FRAME	A	B	C	D	E	F	G	H	J	K	L	M	ØN					
EFQT2	145T	813	616	711	610	397	240	108	70	584	508	N/A	152	14					
	184T																		
	215T																		
	256T														864	654	559		
EFQT3	145T	1054	686	830	794	540	302	181		651	648		203		N/A	14			
	184T																		
	215T	1118	695	829						660	711								
	256T		1168	743						708	762								
EFQT4	145T	1092	718	897	851	606	327	210		683	686		203		N/A	14			
	184T			846															
	215T			721													900	686	711
	256T			1118													718	897	683
	286T			1168					746			900		711			762		
EFQT6	145T	1194	737	949	986	675	379	249	702	787	419	N/A	14						
	184T													1200	737	949	702	794	
	215T																		1207
	256T	1245	735	948					700	838				425					
	286T														1257	740	705	851	
	326T	1321	826	976					791	914				457					



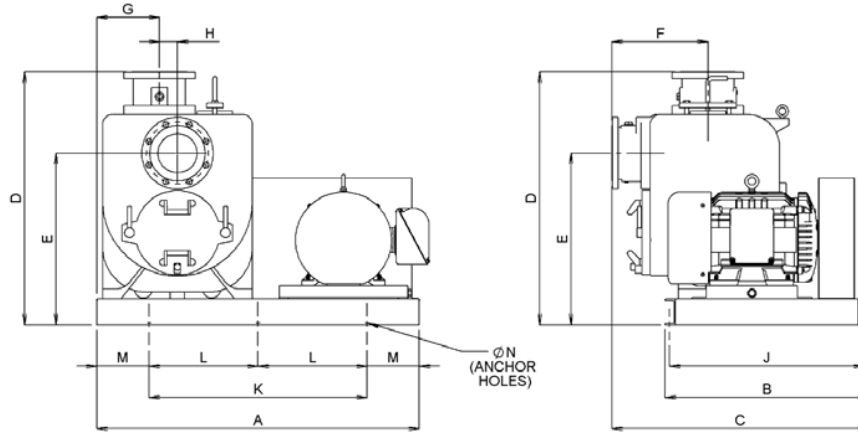
EBARA Self Priming Trash Pump

EFQT/EFQU

Dimensions

Project: _____ Model: _____ Chk'd: _____ Date: _____

EFQT/EFQU Skid Package - Side By Side Model
Model EFQT 8, 10, 12



Unit: inches

PUMP MODEL	NEMA MOTOR FRAME	A	B	C	D	E	F	G	H	J	K	L	M	ØN			
EFQT8	215T	53 1/4	36	44 7/16	48 3/8	34 11/16	16 7/16	15 1/2	N/A	34 5/8	37 1/4	18 5/8	8	9/16			
	256T	57									41	20 1/2					
	286T	59									43	21 1/2					
	326T	60									44	22					
	405T	63									38 1/2	45 1/16			47	23 1/2	
EFQT10	215T	64	34 3/4	54 3/4	49 1/4	33 1/2	28 3/8	16 1/2	N/A	32 3/4	48	24	8	9/16			
	256T	66									50	25					
	286T	68									52	26					
	326T	68									36	54 13/16			34	52	26
	365T	70									39	55 5/16			37	54	27
EFQT12	256T	Consult Factory															
	286T	Consult Factory															
	326T	Consult Factory															
	365T	Consult Factory															
	405T	Consult Factory															
445T	Consult Factory																

Unit: mm

PUMP MODEL	NEMA MOTOR FRAME	A	B	C	D	E	F	G	H	J	K	L	M	ØN			
EFQT8	215T	1353	914	1129	1229	881	418	394	N/A	879	946	473	203	14			
	256T	1448									1041	521					
	286T	1499									1092	546					
	326T	1524									1118	559					
	365T	1524									943	1194			597		
EFQT10	215T	1626	883	1391	1251	851	721	419	N/A	832	1219	610	203	14			
	256T	1676									1270	635					
	286T	1727									914	1392			864	1321	660
	326T	1727									991	1405			940	1372	686
	365T	1778									991	1405			940	1372	686
EFQT12	256T	Consult Factory															
	286T	Consult Factory															
	326T	Consult Factory															
	365T	Consult Factory															
	405T	Consult Factory															
445T	Consult Factory																



PUMP SUPPLY
 INCORPORATED

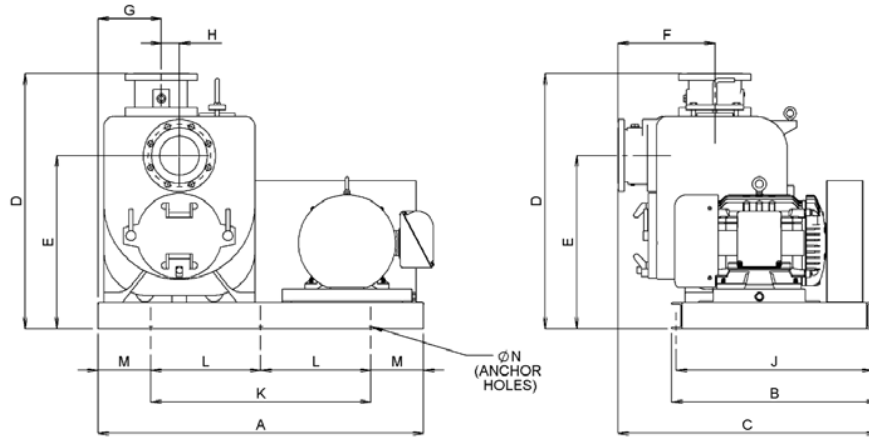
EBARA Self Priming Trash Pump

EFQT/EFQU

Dimensions

Project: _____ Model: _____ Chk'd: _____ Date: _____

**EFQT/EFQU Skid Package - Side By Side Model
Model EFQU 3, 4, 6**



Unit: inches

PUMP MODEL	NEMA MOTOR FRAME	A	B	C	D	E	F	G	H	J	K	L	M	ØN
EFQU3	145T	41 1/2	27	32 1/2	31 1/2	21	12	7	2 3/4	25 5/8	28	N/A	8	9/16
	184T									26				
	215T	44	27 3/8	27 7/8										
	256T		29 1/4											
286T	46	29 1/4												
EFQU4	184T	43	28 3/4	34 3/8	33 15/16	23 11/16	12 3/4	8 1/4	2 3/4	27 3/8	27	15 1/2	8	9/16
	215T	45		34 5/16						29				
	256T	46	34 1/4	30										
	286T	47	34 1/4	31										
	326T	47		31 1/4	15 1/2									
EFQU6	184T	47 1/4	31 1/4	39 7/16	38 3/4	26 5/16	14 3/4	9 5/8	2 3/4	29 7/8	31 1/2	N/A	8	9/16
	215T	47 1/2								31 1/2	16 1/2			
	256T	49	33 1/2	16 3/4										
	286T	49 1/2		18										
	326T	52	32 1/2	40 1/2	31 1/8	36	18							
	365T	53	33 3/4	40 9/16	32 3/8	37	18 1/2							

Unit: mm

PUMP MODEL	NEMA MOTOR FRAME	A	B	C	D	E	F	G	H	J	K	L	M	ØN
EFQU3	145T	1054	686	826	800	533	305	178	70	651	711	N/A	203	14
	184T									660				
	215T	1118	695	708										
	256T		743											
286T	1168	743												
EFQU4	184T	1092	730	873	862	602	324	210	70	695	686	394	203	14
	215T	1143								737				
	256T	1168	743	762										
	286T	1194	743	787										
	326T	1194	870	794	N/A									
EFQU6	184T	1200	794	1002	984	668	375	244	2 3/4	759	800	419	8	9/16
	215T	1207								838	425			
	256T	1245	851	457										
	286T	1257		470										
	326T	1321	826	1029	791	914	457							
	365T	1346	857	1030	822	940	470							



**PUMP SUPPLY
INCORPORATED**