

EBARA Submersible Grinder Pumps *(residential / commercial)*

EBG, EBHG

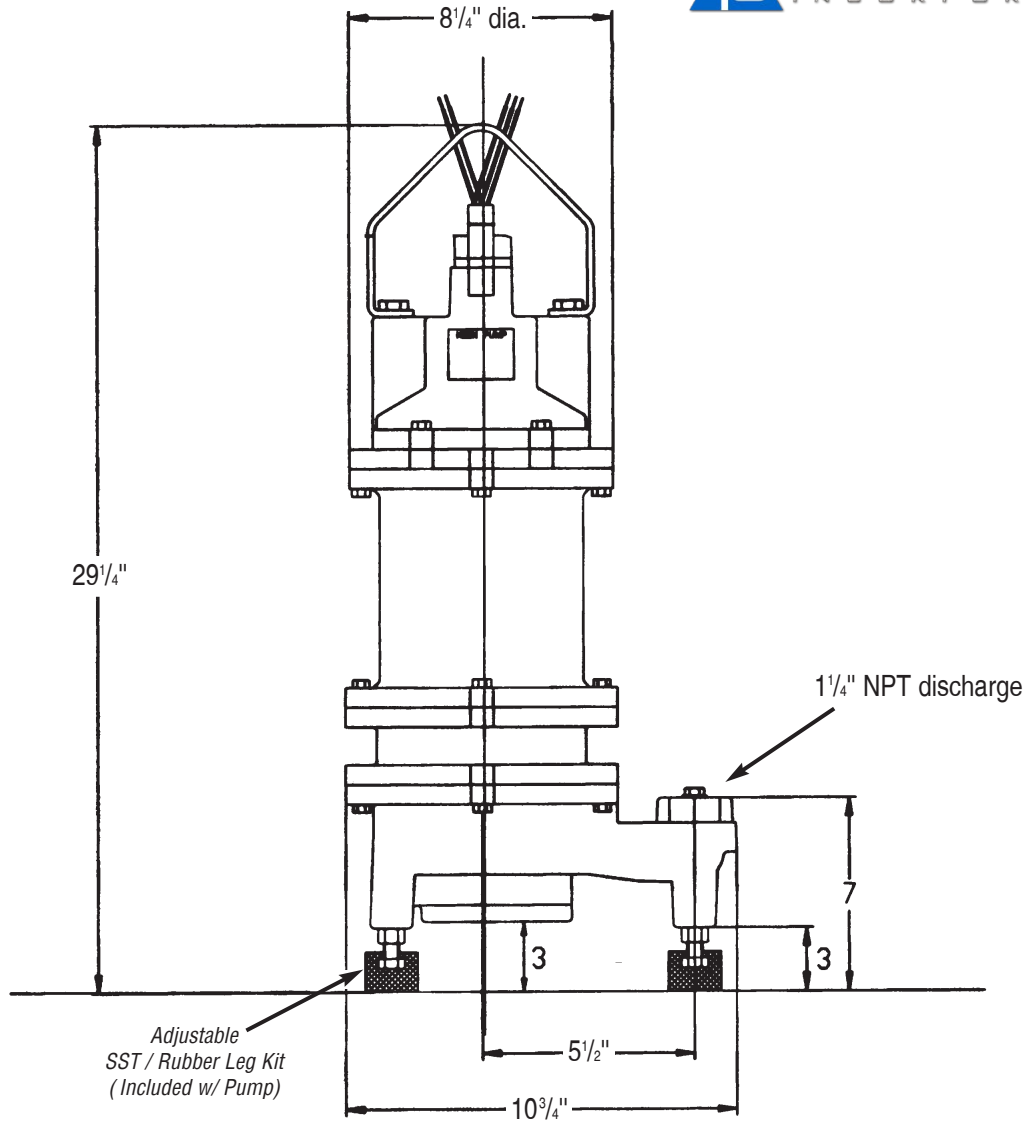
Dimensions

Project: _____ Model: _____ Chk'd: _____ Date: _____

Model EB(H)G

2 HP

Unit: inch



MODEL	WEIGHT - Lb
EBG2-2115(A)	83
EBG2-212C	88
EBHG2-212C	88
EBG2-21	88
EBG2-23	88
EBHG2-21	88
EBHG2-23	88



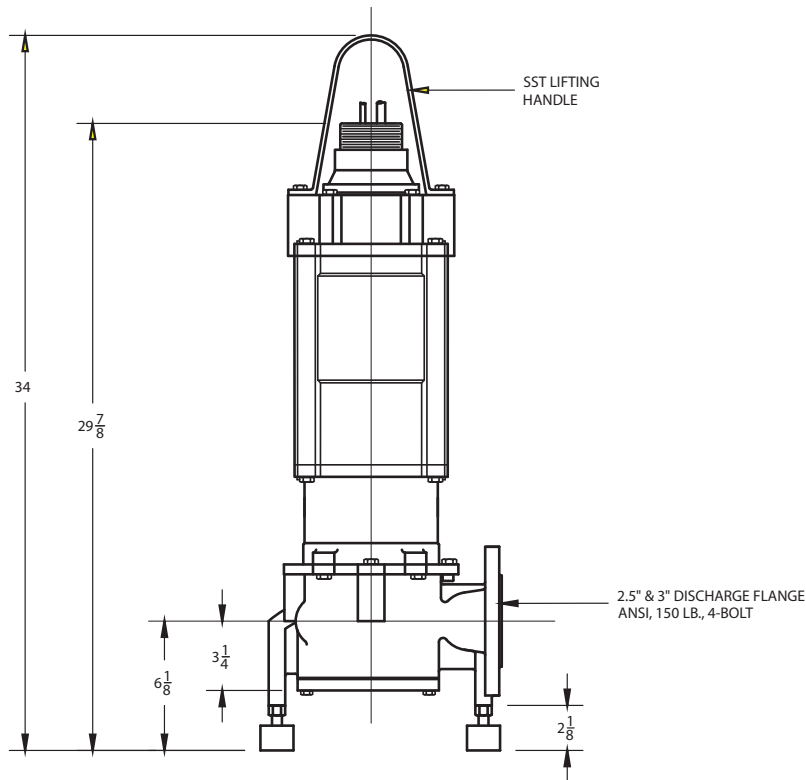
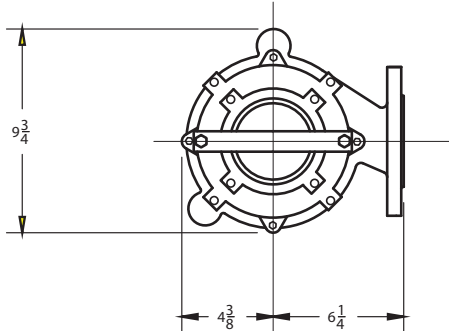
EBARA Submersible Grinder Pumps *(residential / commercial)*

EBG, EBHG

Dimensions

Project: _____ Model: _____ Chk'd: _____ Date: _____

Model EB(H)G
 3, 5, 7.5, 10HP
 Unit: inch



MODEL	WEIGHT – Lb (kg)
EBG-31	190
EBG-33	190
EBG-51	190
EBG-53	190
EBG-103	210
EBHG-31	190
EBHG-33	190
EBHG-51	190
EBHG-53	190
EBHG-71	190
EBHG-73	190



EBARA Submersible Grinder Pumps *(residential / commercial)*

EBG, EBHG

Dimensions – Lift Out Dimensions

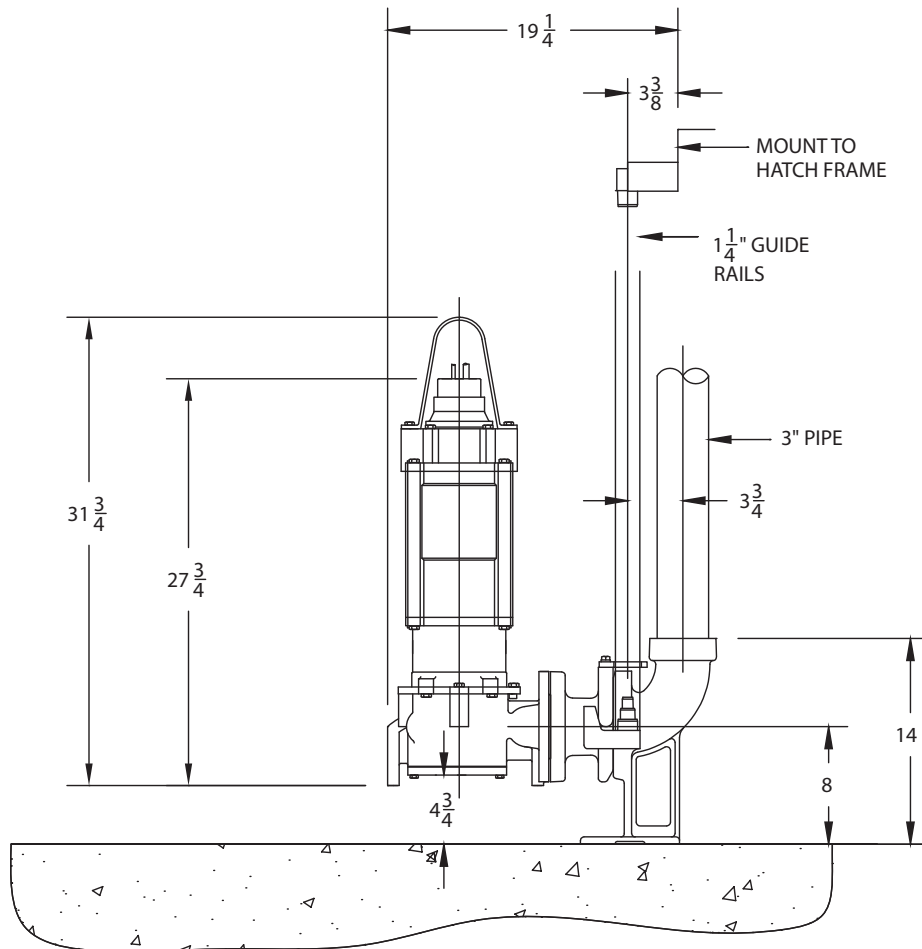
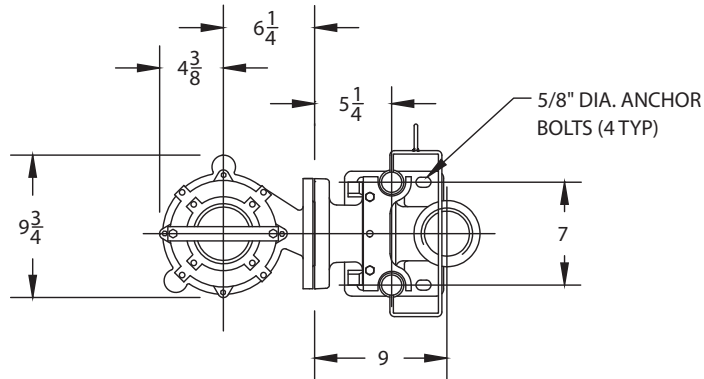
Project: _____ Model: _____ Chk'd: _____ Date: _____

Lift Out Dimensions

Model EB(H)G

3, 5, 7.5, 10HP

Unit: inch



EBARA Submersible Grinder Pumps *(residential / commercial)*

EBG, EBHG

Dimensions

Project: _____ Model: _____ Chk'd: _____ Date: _____

**Quick Discharge Connector Model RS1
Model EB(H)G**

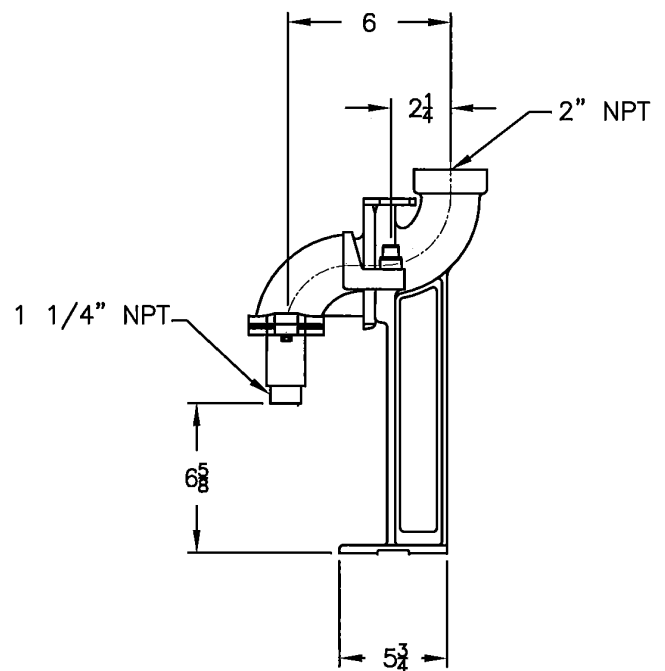
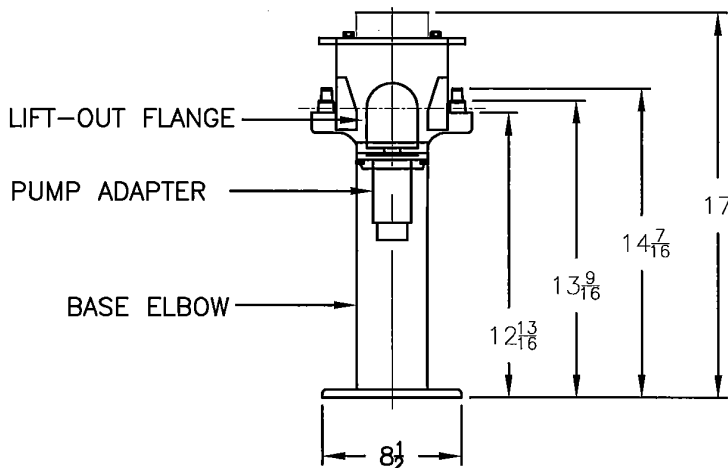
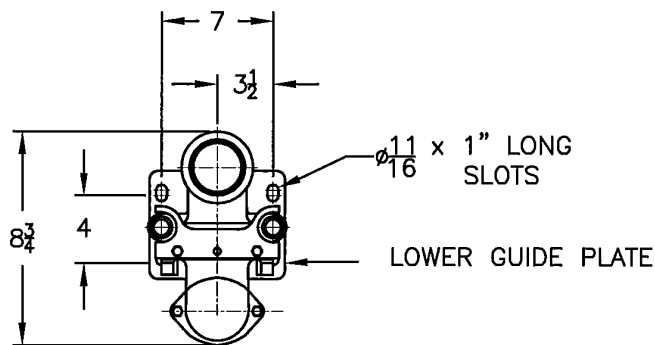
EBG, 2HP

EBHG, 2HP

RS1 weight = 52 lbs



NOTE: ALL DIMENSIONS ARE IN INCHES.
 MATERIALS OF CONSTRUCTION:
 BASE ELBOW: CAST IRON
 LIFT-OUT FLANGE: CAST IRON
 LOWER GUIDE BRACKET: 304 SST
 ALL FASTENERS ARE 304 SERIES SST
 USEABLE RAIL SIZES: $\frac{3}{4}$ " & 1"
 MAXIMUM WEIGHT ALLOWANCE: 200lbs.



EBARA Submersible Grinder Pumps (residential / commercial)

EBG, EBHG

Dimensions

Project: _____ Model: _____ Chk'd: _____ Date: _____

Quick Discharge Connector Model RS3-H

Model EB(H)G

EBG, 3, 5, 10HP

EBHG, 3, 5, 7.5HP

RS3-H weight = 70 lbs



NOTE: ALL DIMENSIONS ARE IN INCHES.

MATERIALS OF CONSTRUCTION:

BASE ELBOW: CAST DUCTILE IRON

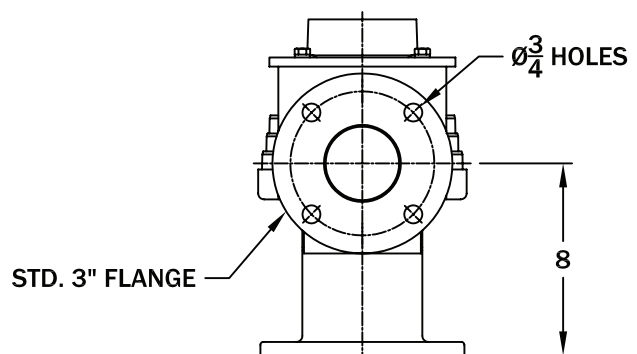
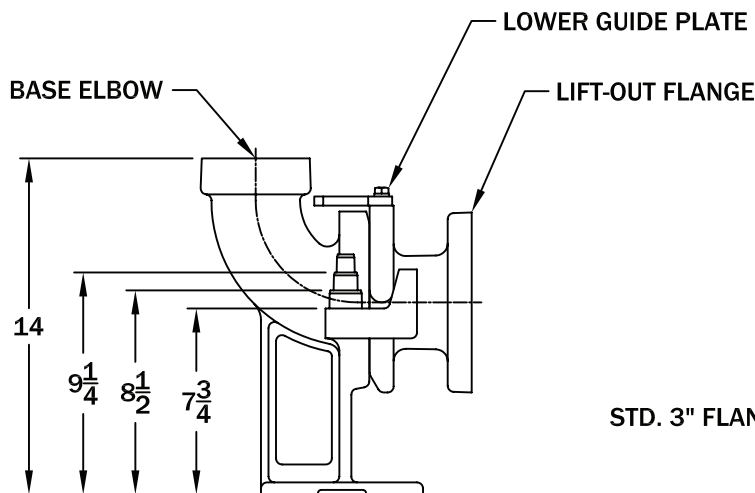
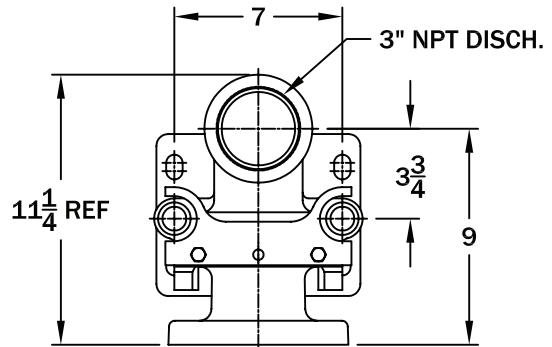
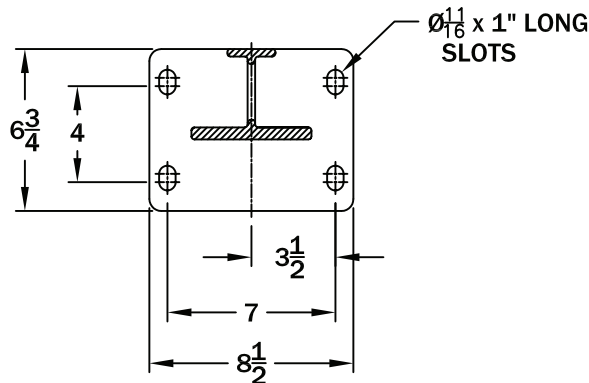
LIFT-OUT FLANGE: CAST DUCTILE IRON

LOWER GUIDE BRACKET: 304 SST

ALL FASTENERS ARE 304 SERIES SST

USEABLE GUIDE RAIL SIZES: $\frac{3}{4}$ ", 1", $1\frac{1}{4}$ "

MOUNTING DIMENSIONS



EBARA Submersible Grinder Pumps *(residential / commercial)*

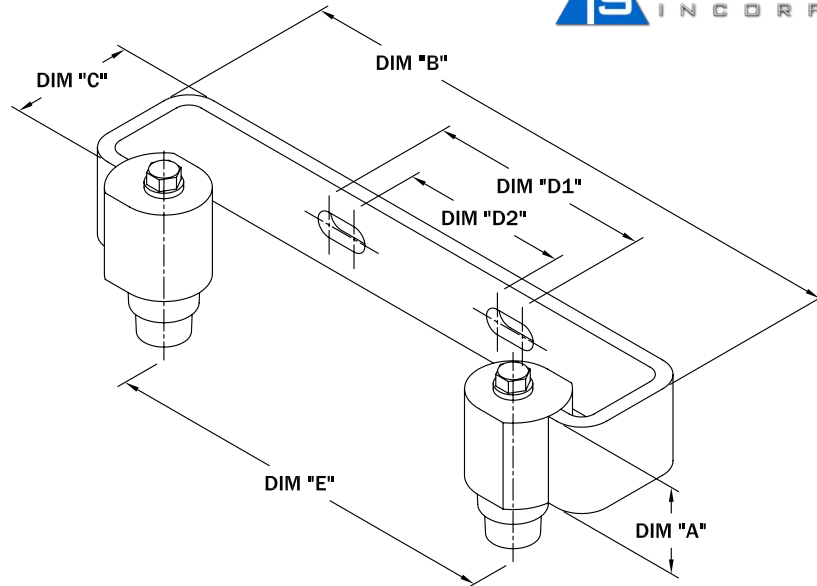
EBG, EBHG

Dimensions

Project: _____ Model: _____ Chk'd: _____ Date: _____

Upper Guide Brackets

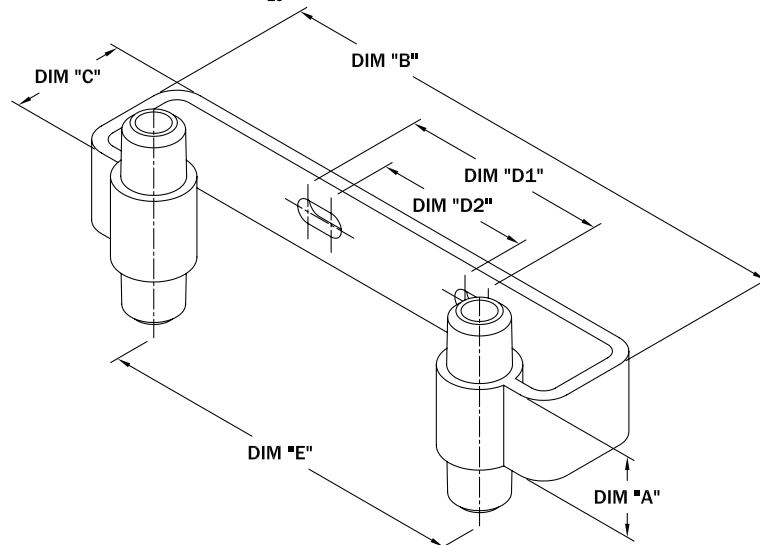
NOTE: MOUNTING SLOTS ARE $\frac{7}{16}$ "
 ACCOMMODATES $\frac{3}{4}$ ", 1 AND 1 $\frac{1}{4}$ " INCH PIPE



MODEL NO.	DIA. "A"	DIM "B"	DIM "C"	DIM "D1"	DIM "D2"	DIM "E"
UGB-SS	1 1/2"	10"	2 1/8"	3 7/8"	2 7/8"	7"

Intermediate Guide Brackets

NOTE: IGB-075-SS USED FOR $\frac{3}{4}$ " RAILS
 IGB-100-SS USED FOR 1" RAILS
 IGB-125-SS USED FOR 1 $\frac{1}{4}$ " RAILS
 MOUNTING SLOTS ARE $\frac{7}{16}$ "



MODEL NO.	DIA. "A"	DIM "B"	DIM "C"	DIM "D1"	DIM "D2"	DIM "E"
IGB-075-SS	1 1/2"	10"	2 1/8"	3 7/8"	2 7/8"	7"
IGB-100-SS	1 1/2"	10"	2 1/8"	3 7/8"	2 7/8"	7"
IGB-125-SS	1 1/2"	10"	2 1/8"	3 7/8"	N/A	7"

