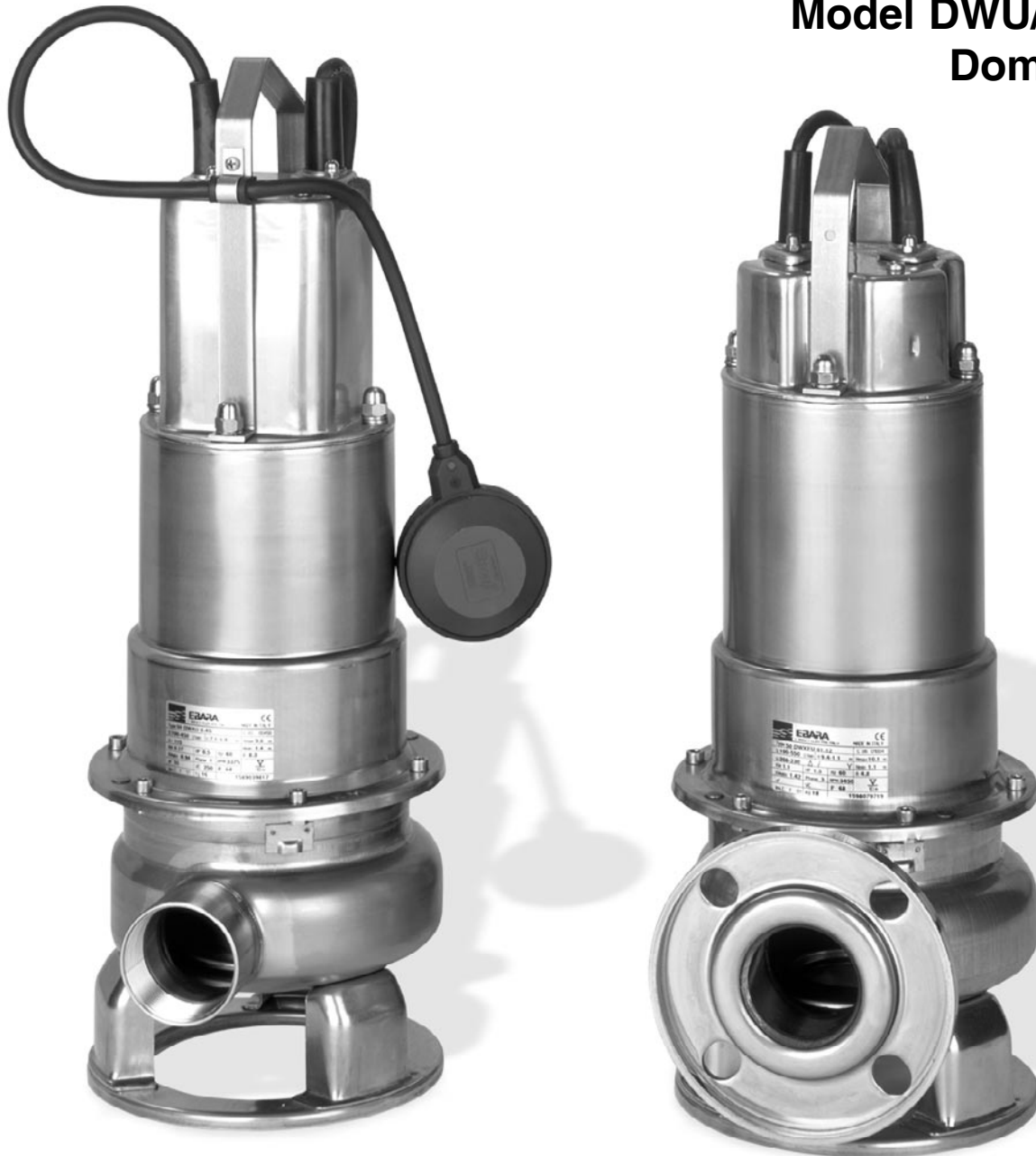


Submersible Sewage Pump

Model DWU/DWXU Dominator



Technical Specification



EBARA



**PUMP SUPPLY
INCORPORATED**

EBARA Pumps Americas Corporation

EBARA Submersible Stainless Steel Pumps

DWU, DWXU – Dominator

Contents

Model No.	Specifications	Selection Chart	Performance Curve	Dimensions		Sectional View
				Pump	Motor Data	
50DWU6.4S	1-129	1-130	1-132	1-138	1-148 – 1-158	1-146
50DWU6.75S						
50DWU6.4S2						
50DWU6.75S2			1-133			
50DWU61.1S2						
50DWU61.5S2						
50DWU6.4			1-132			
50DWU6.75						
50DWU61.1						
50DWU61.5			1-133			
50DWU62.2						
50DWU62.2						
50DWFU6.4S	1-129	1-130	1-132	1-139	1-148 – 1-158	1-146
50DWFU6.75S						
50DWFU6.4S2						
50DWFU6.75S2			1-133			
50DWFU61.1S2						
50DWFU61.5S2						
50DWFU6.4			1-132			
50DWFU6.75						
50DWFU61.1						
50DWFU61.5			1-133			
50DWFU62.2						
50DWFU62.2						
50DWXU6.4S	1-129	1-131	1-135	1-140	1-148 – 1-158	1-146
50DWXU6.75S						
50DWXU6.4S2						
50DWXU6.75S2			1-136			
50DWXU61.1S2						
50DWXU61.5S2						
50DWXU6.4			1-135			
50DWXU6.75						
50DWXU61.1						
50DWXU61.5			1-136			
50DWXU62.2						
50DWXU62.2						
50DWXFU6.4S	1-129	1-131	1-135	1-141	1-148 – 1-158	1-1476
50DWXFU6.75S						
50DWXFU6.4S2						
50DWXFU6.75S2			1-136			
50DWXFU61.1S2						
50DWXFU61.5S2						
50DWXFU6.4			1-135			
50DWXFU6.75						
50DWXFU61.1						
50DWXFU61.5			1-136			
50DWXFU62.2						
50DWXFU62.2						



EBARA Submersible Stainless Steel Pumps

DWU, DWXU – Dominator


Contents (continued)


Model No.	Specifications	Selection Chart	Performance Curve	Dimensions		Sectional View
				Pump	Motor Data	
50DWAU6.4S	1-129	1-130	1-132	1-142	1-148 – 1-158	1-146
50DWAU6.75S						
50DWAU6.4S2						
50DWAU6.75S2						
50DWAU61.1S2			1-133			
50DWFAU6.4S	1-129	1-130	1-132	1-143	1-148 – 1-158	1-146
50DWFAU6.75S						
50DWFAU6.4S2						
50DWFAU6.75S2						
50DWFAU61.1S2			1-133			
50DWXAU6.4S	1-129	1-131	1-135	1-142	1-148 – 1-158	1-146
50DWXAU6.75S						
50DWXAU6.4S2						
50DWXAU6.75S2						
50DWXAU61.1S2			1-136			
50DWXFAU6.4S	1-128	1-131	1-135	1-143	1-148 – 1-158	1-146
50DWXFAU6.75S						
50DWXFAU6.4S2						
50DWXFAU6.75S2						
50DWXFAU61.1S2			1-136			
Quick Discharge Connector System		1-144 1-145				
Mechanical Seal Sectional View		1-159				
Cable Entry System Detail		1-160				
Mechanical Seal and Ball Bearing Data		1-161				
Capacitor Data		1-161				
Submergence Chart		1-162				

Illinois Location:
 (847) 841-7867
 860 Church Rd Elgin, IL 60123

Minnesota Location:
 (651) 758-7867
 330 Mill Bay South Suite 1511
 Afton, MN 55001

PumpSupplyInc.com





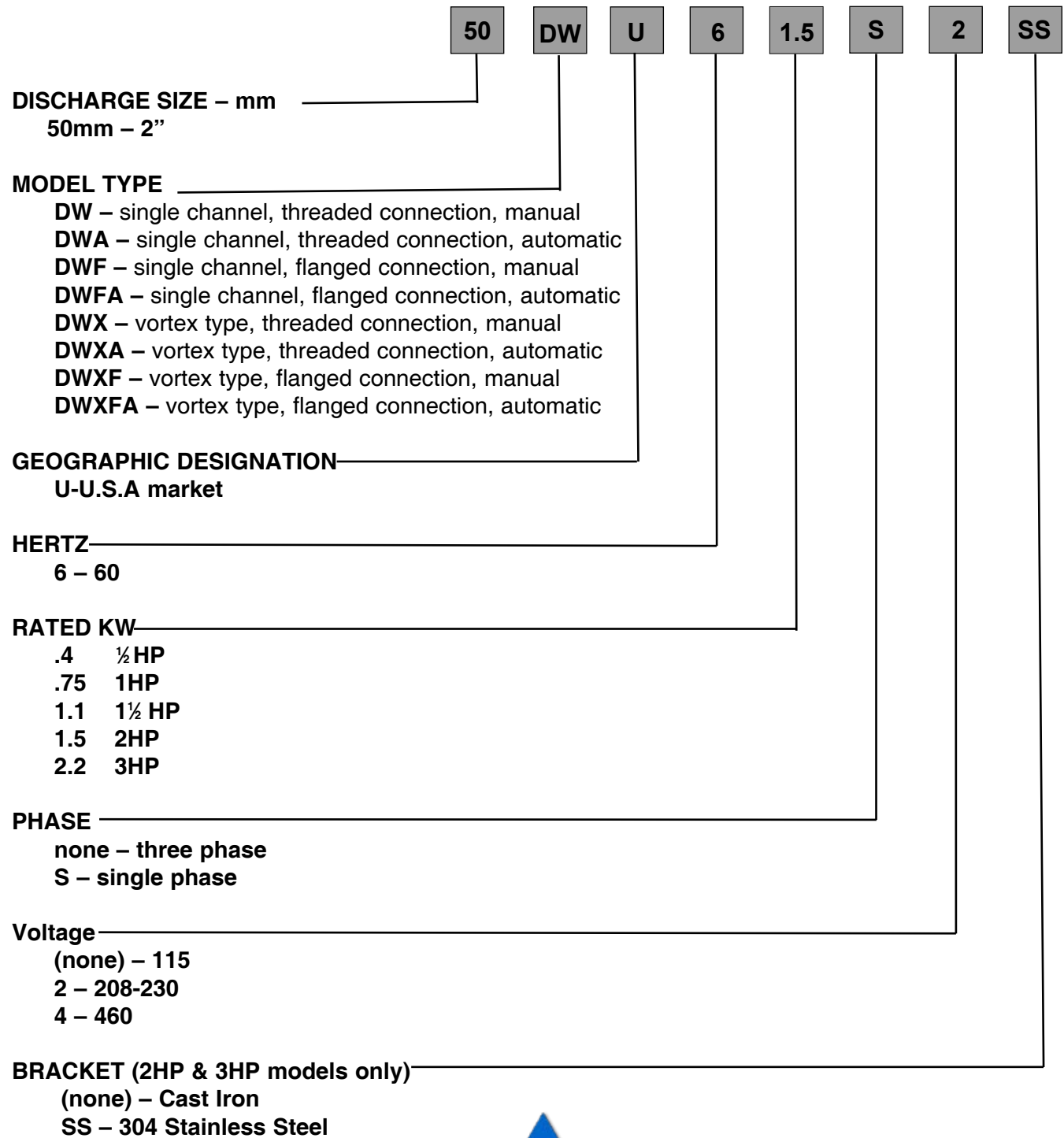
PUMP SUPPLY
 INCORPORATED



EBARA Submersible Stainless Steel Pumps

DWU, DWXU – Dominator

Model Designation



*Note: The model DW(A)(F)U, DWX(A)(F)U is listed by the Canadian Standards Association (CSA) as certified (3HP excluded).



EBARA Submersible Stainless Steel Pumps

DWU, DWXU – Dominator

Specifications

	Manual	Automatic
Discharge size/Connection	2" NPT or 2" ANSI Flanged	
Range of HP Range of Performance	½ HP to 3 HP Capacity 12 to 238 GPM Head 4 to 74 feet	½ HP to 1½ HP Capacity 12 to 169 GPM Head 4 to 48 feet
Limitation Maximum Water Temperature	104°F (40°C)	
Synchronous Speed	3600 RPM	
Materials Casing Impeller Shaft Motor Frame Fastener Bracket ½HP, 1HP, 1 ½HP 2HP & 3HP	304L Stainless Steel 304L Stainless Steel 304L Stainless Steel 304L Stainless Steel 304L Stainless Steel 304L Stainless Steel Standard Cast Iron 304L Stainless Steel	
Mechanical Seal Material – Upper Side Material – Lower Side Impeller Type Bearing Motor Single Phase Three Phase Motor Protection	Double Mechanical Seal Carbon/Ceramic/NBR Silicon Carbide/Silicon Carbide/FPM Single Channel/Vortex Sealed Ball Bearing Air-filled, Insulation Class F 115 V (½, 1HP), 208/230V 208V, 230V, 460V Built-in Overload Protection (Single phase models) Submersible Cable 25 ft. <i>Consult factory for additional cable lengths.</i>	
Accessories	QDC System	
<p>*Note: 2HP, 1-phase and 3HP, 3-phase units have a cast iron intermediate bracket. The Model DW(A)(F)U, DWX(A)(F)U is listed by the Canadian Standards Association (CSA) as a certified (3HP excluded).</p>		



EBARA Submersible Stainless Steel Pumps

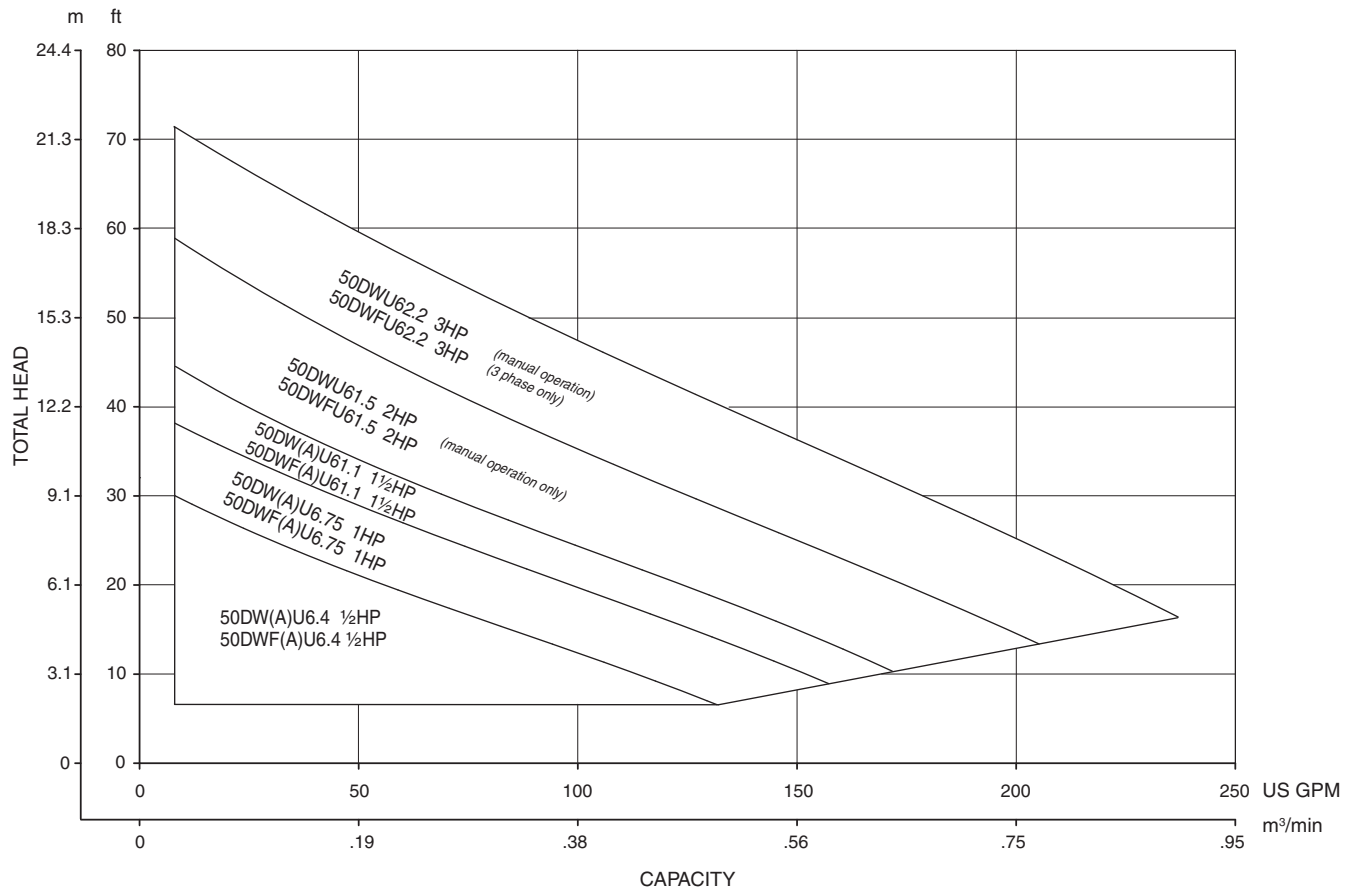
DWU, DWXU – Dominator

Selection Chart

**Model DW(A)U
DWF(A)U**



Single Channel Impeller



Illinois Location:
(847) 841-7867
860 Church Rd Elgin, IL 60123

Minnesota Location:
(651) 758-7867
330 Mill Bay South Suite 1511
Afton, MN 55001

PumpSupplyInc.com



EBARA Submersible Stainless Steel Pumps

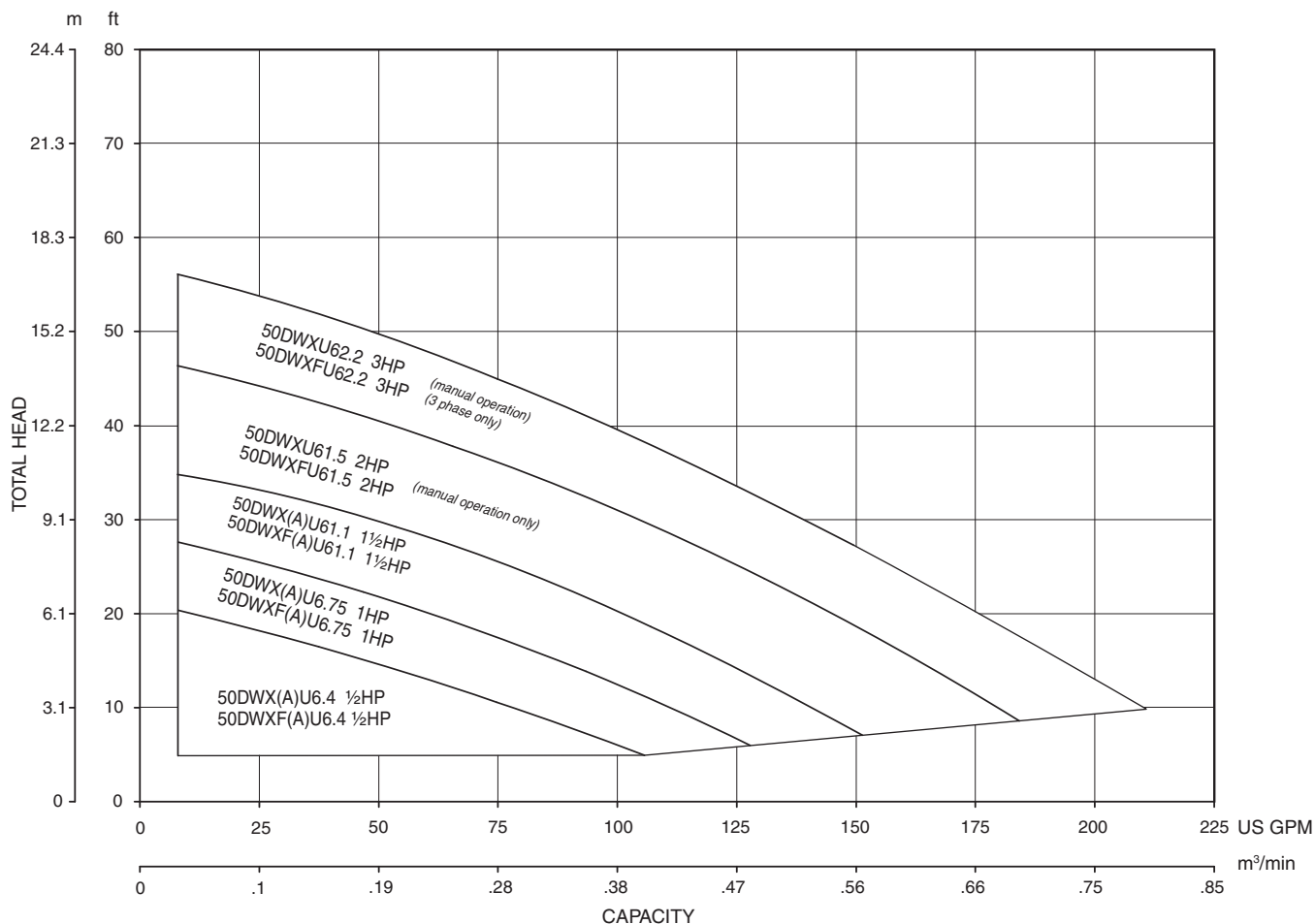
DWU, DWXU – Dominator

Selection Chart

**Model DWX(A)U
DWXF(A)U**



Vortex Impeller



Illinois Location:
(847) 841-7867
860 Church Rd Elgin, IL 60123

Minnesota Location:
(651) 758-7867
330 Mill Bay South Suite 1511
Afton, MN 55001

PumpSupplyInc.com



EBARA Submersible Stainless Steel Pumps

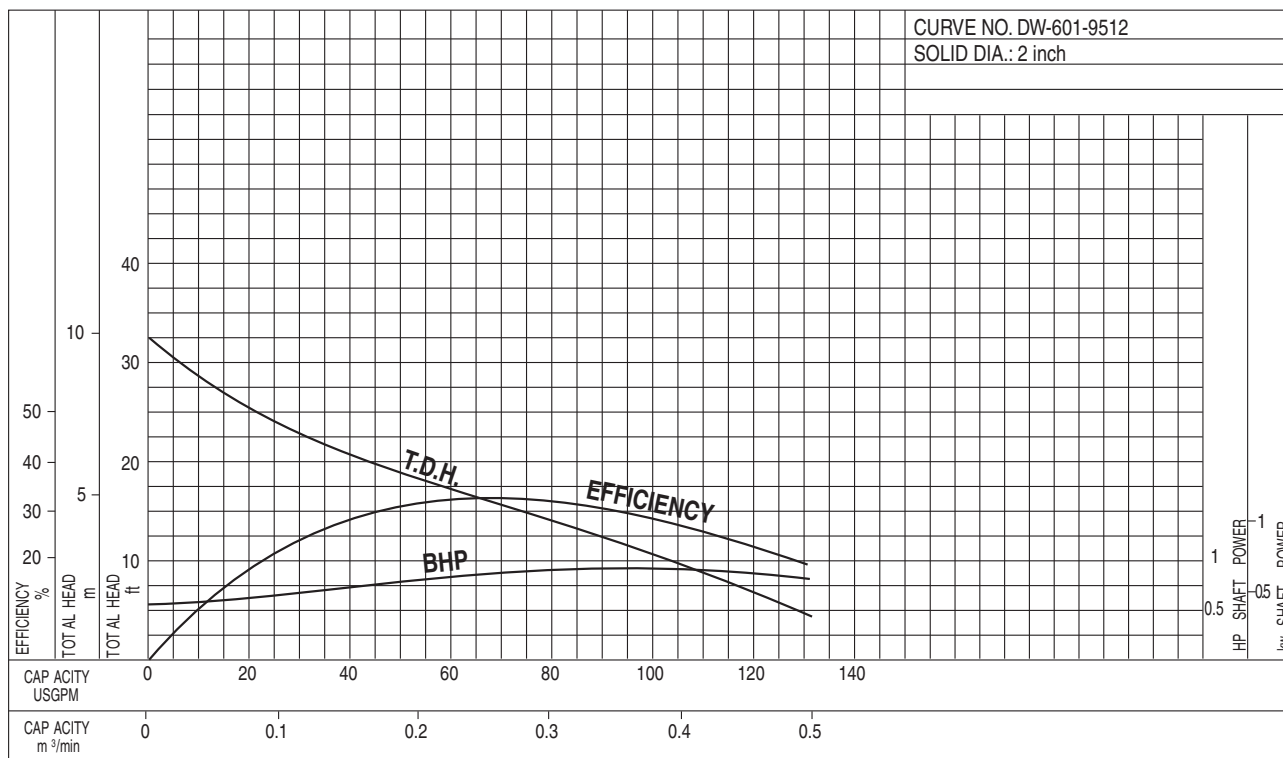
DWU, DWXU – Dominator

Performance Curves

Project: _____ GPM: _____ TDH: _____ EFF: _____ HP: _____ Chk'd: _____ Date: _____

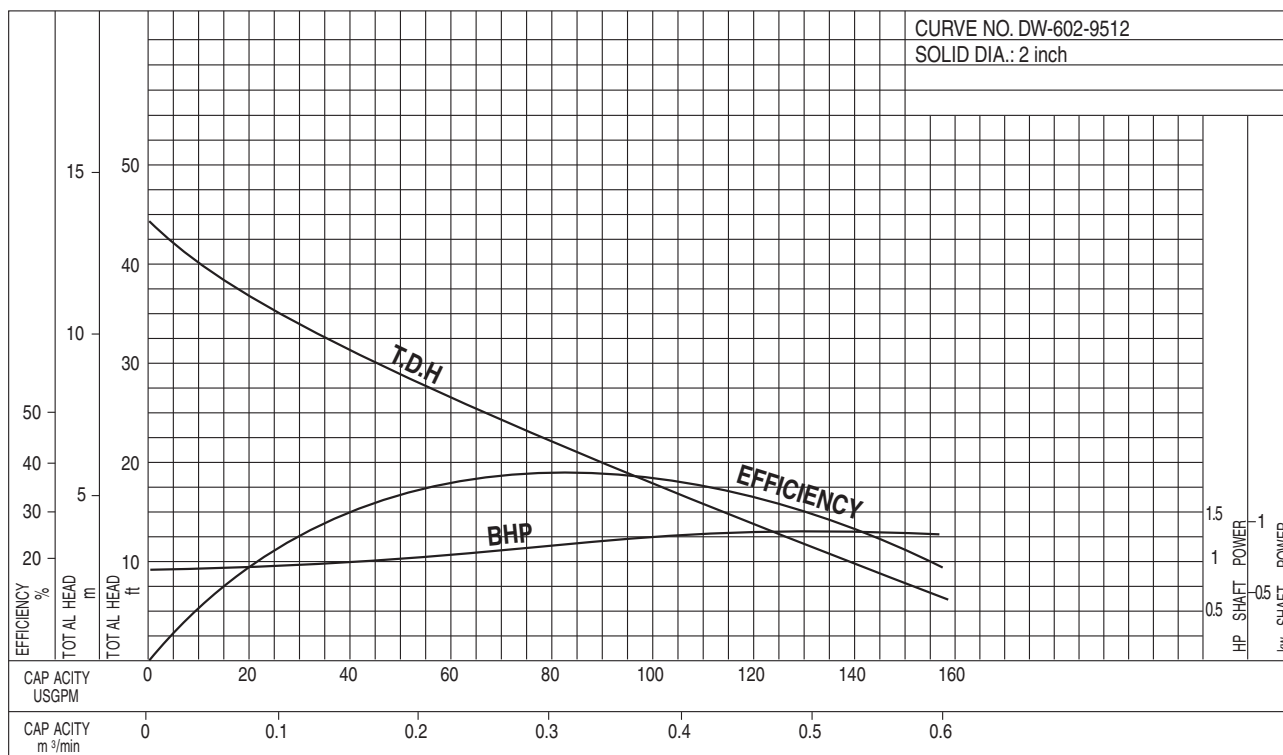
50DW6.4 (1/2HP) Synchronous Speed: 3600 RPM

2 inch Discharge



50DW6.75 (1HP) Synchronous Speed: 3600 RPM

2 inch Discharge



EBARA Submersible Stainless Steel Pumps

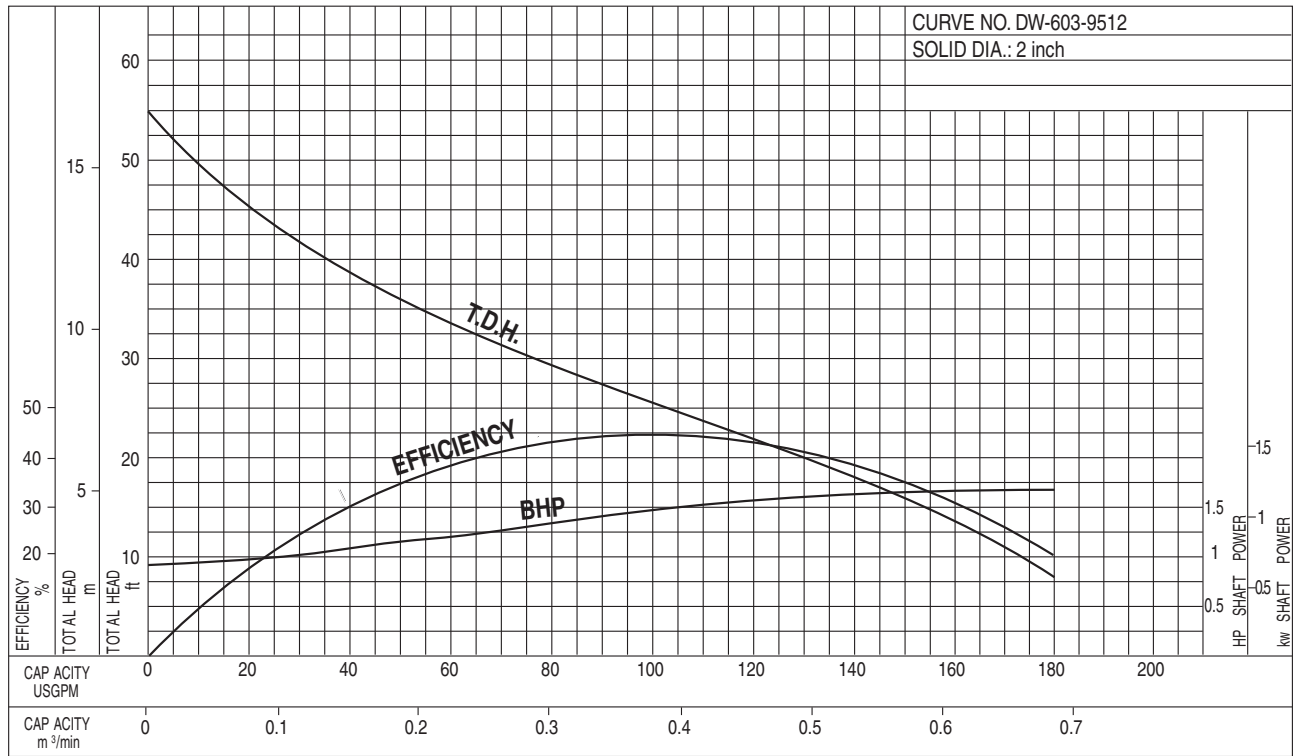
DWU, DWXU – Dominator

Performance Curves

Project: _____ GPM: _____ TDH: _____ EFF: _____ HP: _____ Chk'd: _____ Date: _____

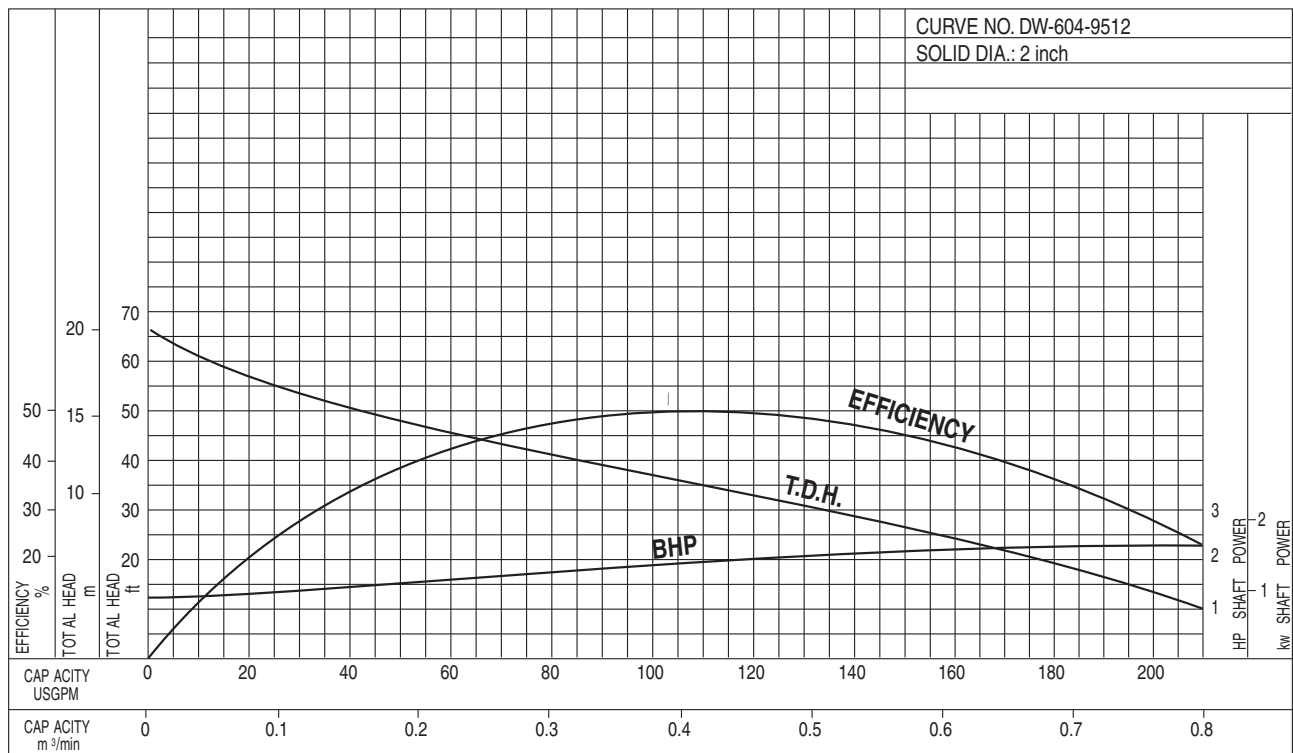
50DW61.1 (1½HP) Synchronous Speed: 3600 RPM

2 inch Discharge



50DW61.5 (2HP) Synchronous Speed: 3600 RPM

2 inch Discharge



EBARA Submersible Stainless Steel Pumps

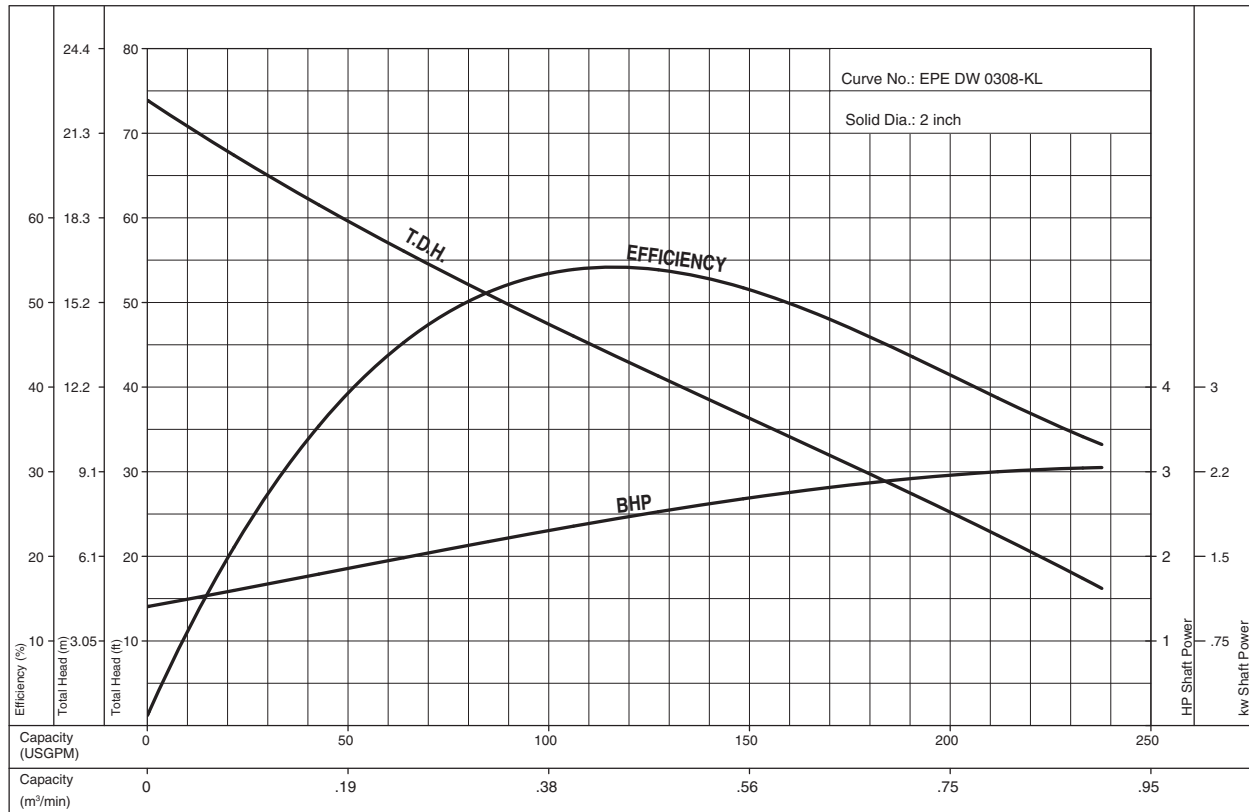
DWU, DWXU – Dominator

Performance Curves

Project: _____ Model: _____ Chk'd: _____ Date: _____

50DW62.2 (3HP) Synchronous Speed: 3600 RPM

2 inch Discharge



Illinois Location:
(847) 841-7867
860 Church Rd Elgin, IL 60123

Minnesota Location:
(651) 758-7867
330 Mill Bay South Suite 1511
Afton, MN 55001

PumpSupplyInc.com

PUMP SUPPLY
INCORPORATED



EBARA Submersible Stainless Steel Pumps

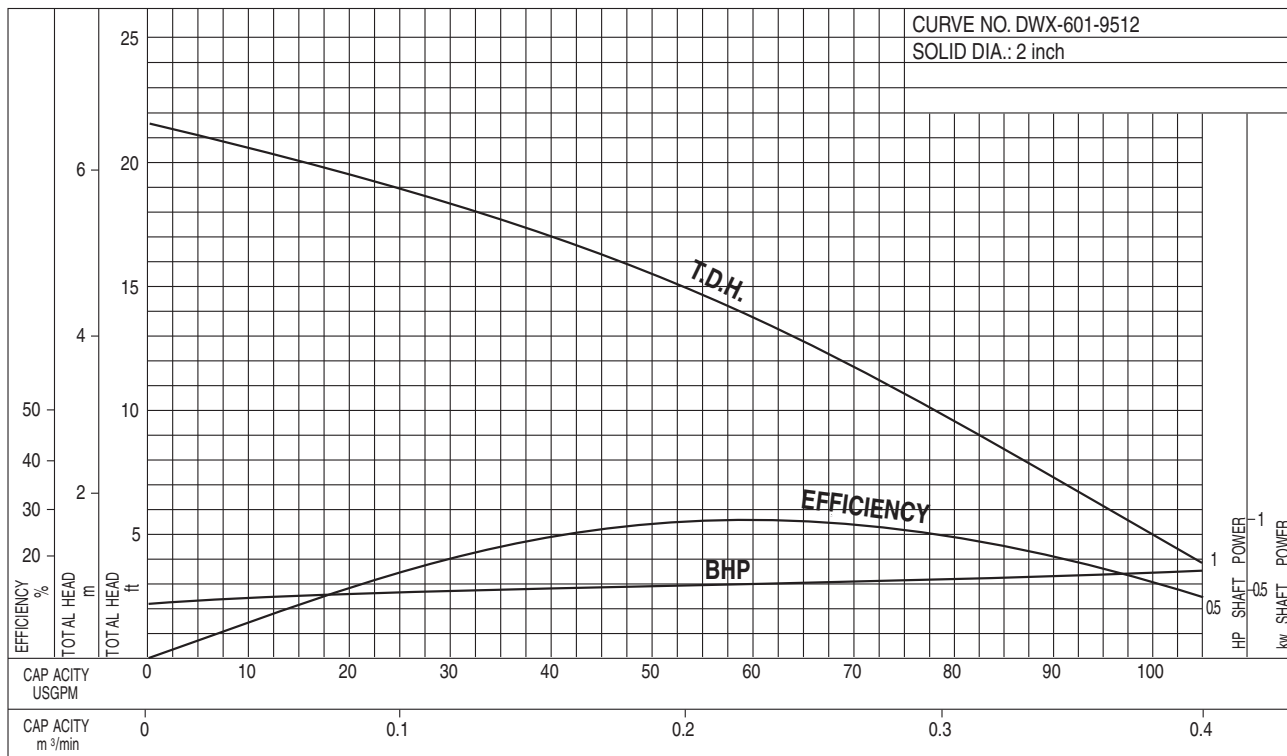
DWU, DWXU – Dominator

Performance Curves

Project: _____ GPM: _____ TDH: _____ EFF: _____ HP: _____ Chk'd: _____ Date: _____

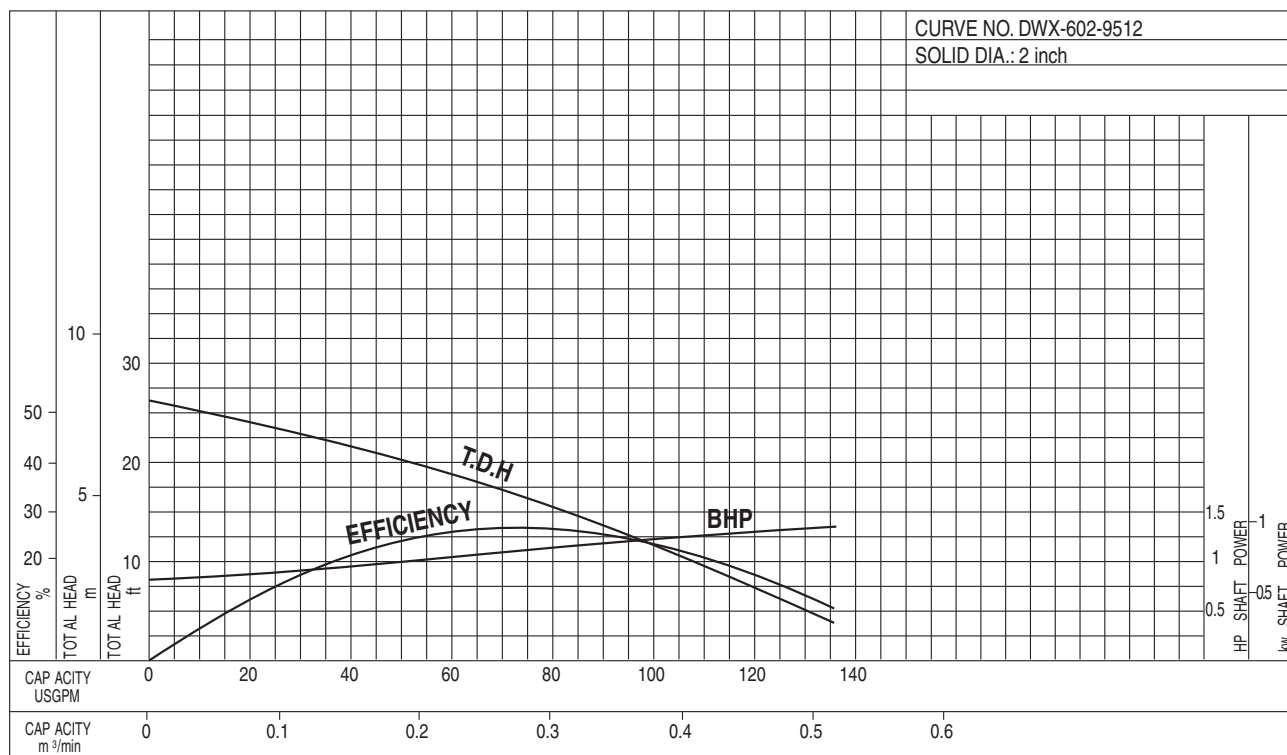
50DWX6.4 (1/2HP) Synchronous Speed: 3600 RPM

2 inch Discharge



50DWX6.75 (1HP) Synchronous Speed: 3600 RPM

2 inch Discharge



EBARA Submersible Stainless Steel Pumps

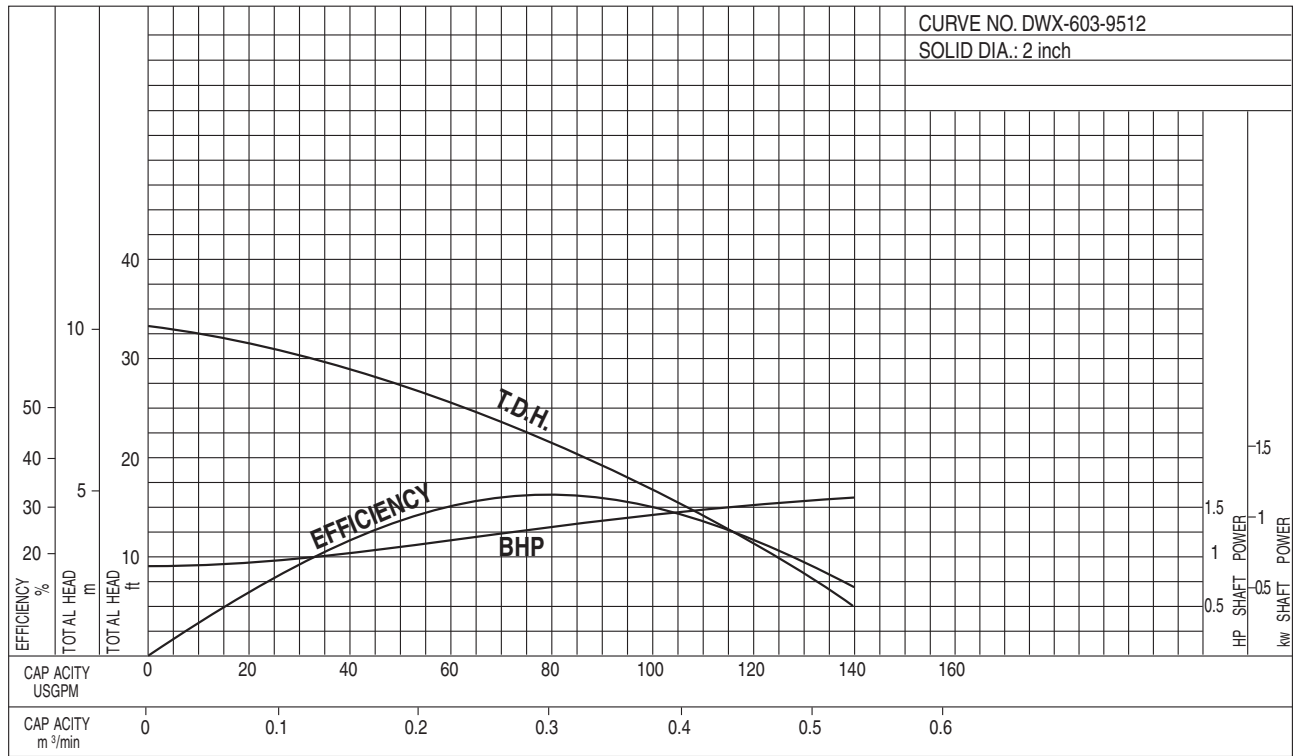
DWU, DWXU – Dominator

Performance Curves

Project: _____ GPM: _____ TDH: _____ EFF: _____ HP: _____ Chk'd: _____ Date: _____

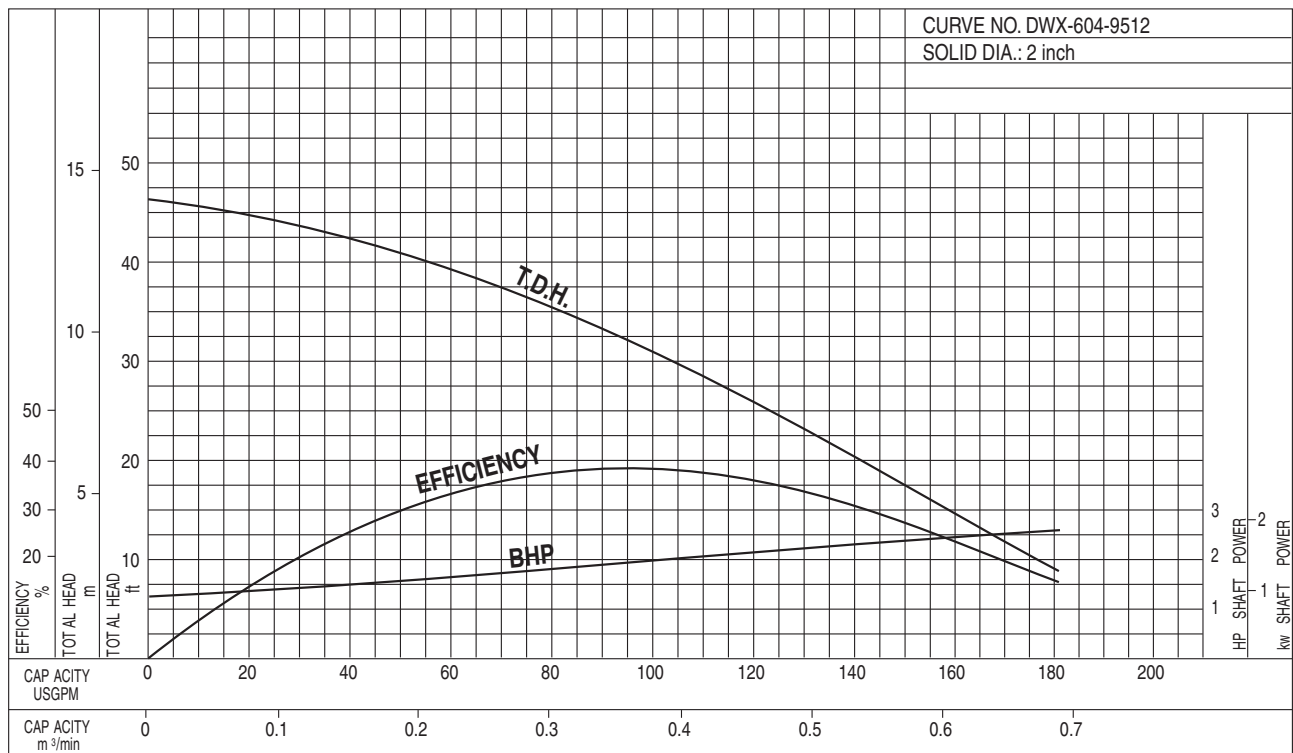
50DWX61.1 (1½HP) Synchronous Speed: 3600 RPM

2 inch Discharge



50DWX61.5 (2HP) Synchronous Speed: 3600 RPM

2 inch Discharge



EBARA Submersible Stainless Steel Pumps

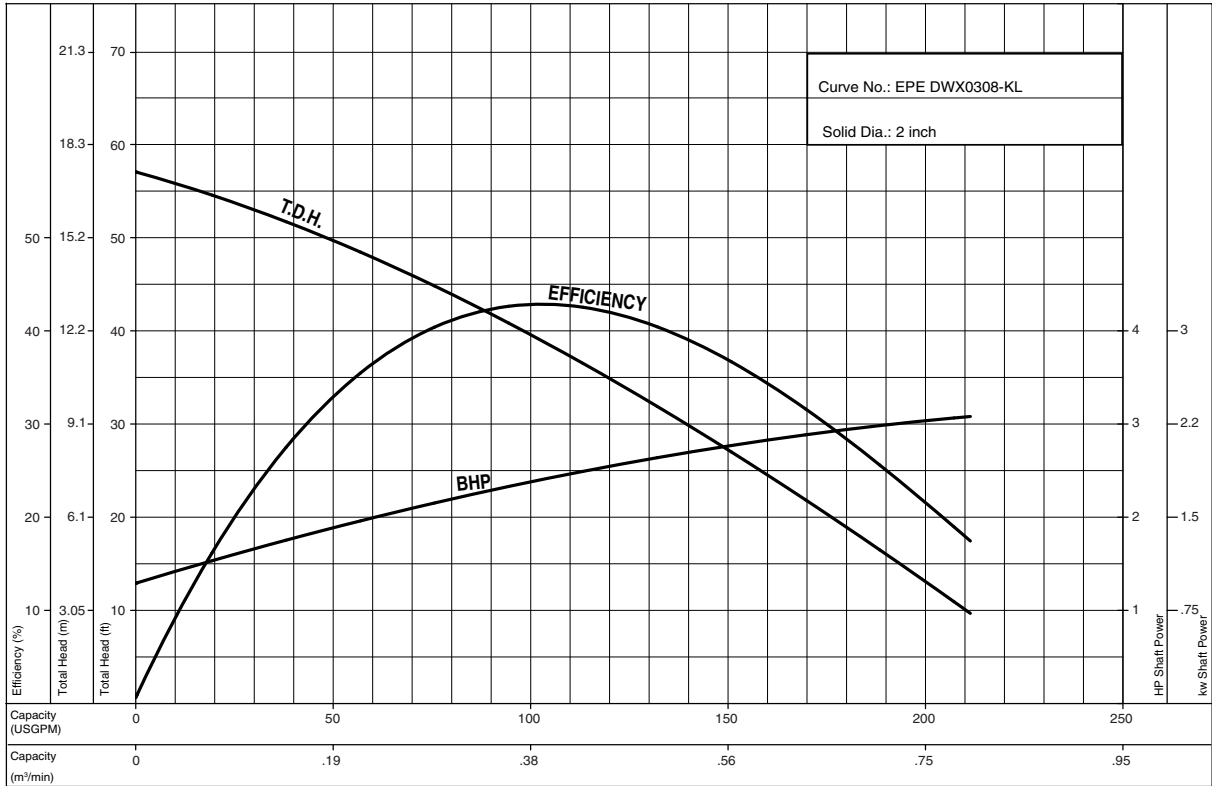
DWU, DWXU – Dominator

Performance Curves

Project: _____ Model: _____ Chk'd: _____ Date: _____

50DWX62.2 (3HP) Synchronous Speed: 3600 RPM



2 inch Discharge



Illinois Location:
(847) 841-7867
860 Church Rd Elgin, IL 60123

Minnesota Location:
(651) 758-7867
330 Mill Bay South Suite 1511
Afton, MN 55001

PumpSupplyInc.com



EBARA Submersible Stainless Steel Pumps

DWU – Dominator

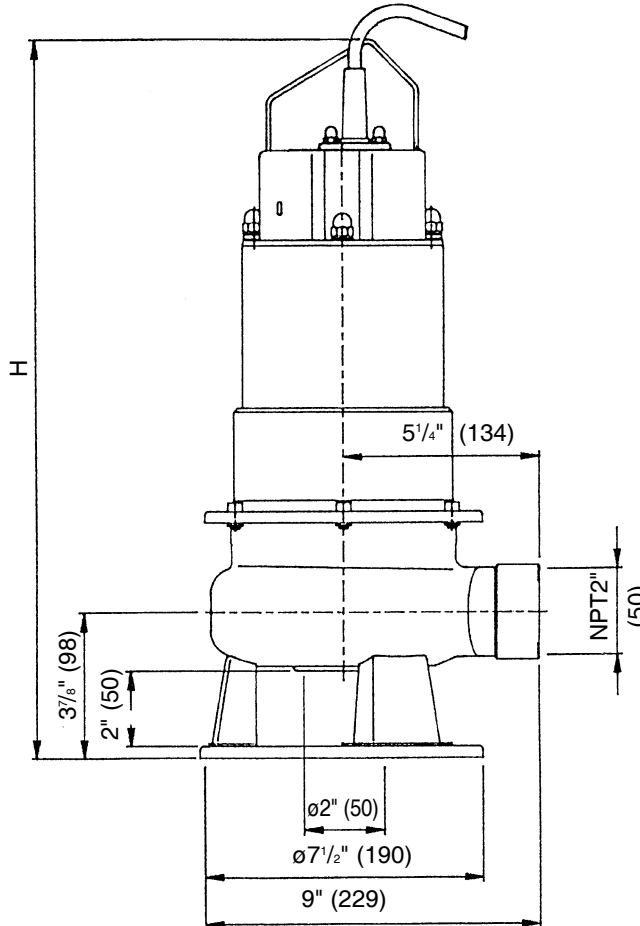
Dimensions

Project: _____ Model: _____ Chk'd: _____ Date: _____

Model DWU
Manual Operation Pumps



Unit: inch (mm)



Note: Three phase motors are equipped with a Power Cable and a Thermal Protection Cable

Phase	Size ø	Model	Output		Pump	Weight Lbs (kg)
			kw	HP	H	
Single	2" (50mm)	50DWU6.4S	0.4	1/2	21 ⁵ / ₈ (550)	35 (16)
		50DWU6.75S	0.75	1	22 ¹³ / ₁₆ (580)	40 (18)
		50DWU6.4S2	0.4	1/2	19 ¹ / ₈ (485)	35 (16)
		50DWU6.75S2	0.75	1	20 ¹ / ₄ (515)	40 (18)
		50DWU61.1S2	1.1	1 1/2	20 ¹ / ₄ (515)	44 (20)
		50DWU61.5S2	1.5	2	24 (610)	51 (23)
Three	2" (50mm)	50DWU6.4	0.4	1/2	19 ¹ / ₈ (485)	33 (15)
		50DWU6.75	0.75	1	19 ¹ / ₈ (485)	35 (16)
		50DWU61.1	1.1	1 1/2	20 ¹ / ₄ (515)	40 (18)
		50DWU61.5	1.5	2	20 ¹ / ₄ (515)	44 (20)
		50DWU62.2	2.2	3	21 ⁷ / ₁₆ (545)	55 (25)



EBARA Submersible Stainless Steel Pumps

DWFU – Dominator

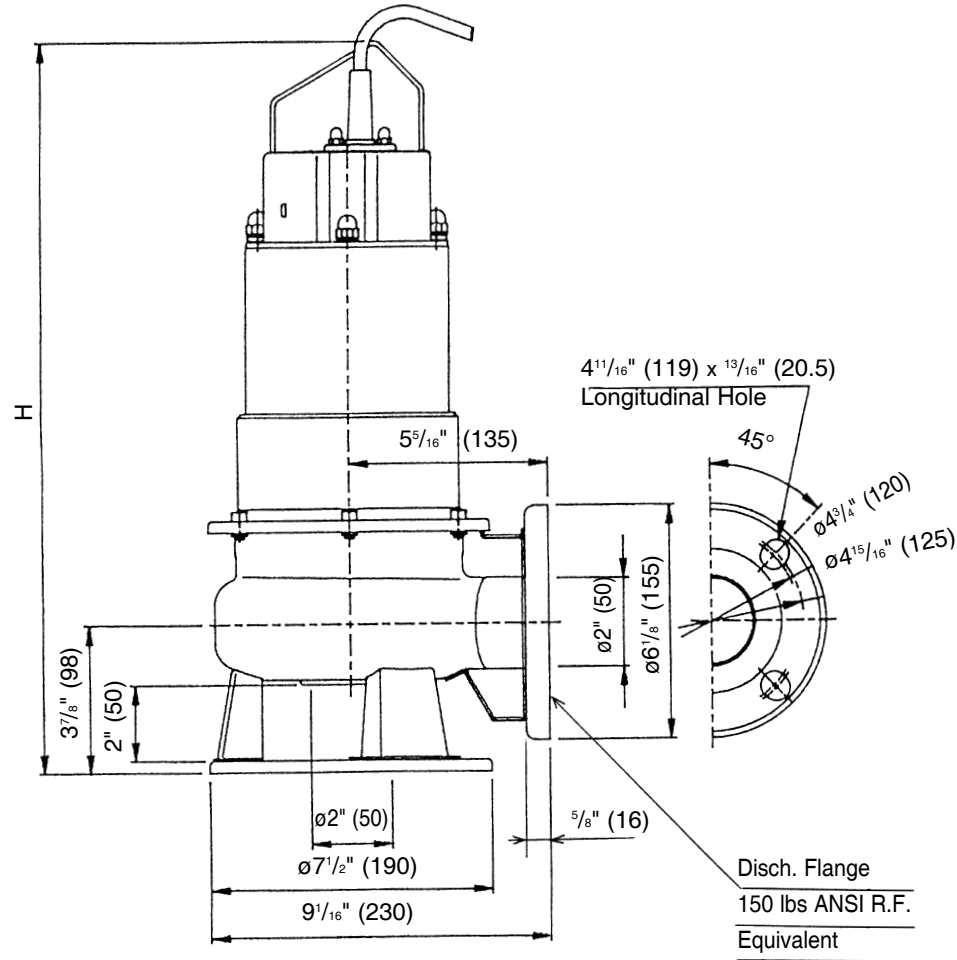
Dimensions

Project: _____ Model: _____ Chk'd: _____ Date: _____

Model DWFU
Manual Operation Pumps



Unit: inch (mm)



Note: Three phase motors are equipped with a Power Cable and a Thermal Protection Cable

Phase	Size ø	Model	Output		Pump	Weight Lbs (kg)
			kw	HP	H	
Single	2" (50mm)	50DWFU6.4S	0.4	1/2	21 ⁵ / ₈ (550)	37 (17)
		50DWFU6.75S	0.75	1	22 ¹³ / ₁₆ (580)	42 (19)
		50DWFU6.4S2	0.4	1/2	19 ¹ / ₈ (485)	37 (17)
		50DWFU6.75S2	0.75	1	20 ¹ / ₄ (515)	42 (19)
		50DWFU61.1S2	1.1	1 1/2	20 ¹ / ₄ (515)	46 (21)
		50DWFU61.5S2	1.5	2	24 (610)	53 (24)
Three	2" (50mm)	50DWFU6.4	0.4	1/2	19 ¹ / ₈ (485)	35 (16)
		50DWFU6.75	0.75	1	19 ¹ / ₈ (485)	37 (17)
		50DWFU61.1	1.1	1 1/2	20 ¹ / ₄ (515)	42 (19)
		50DWFU61.5	1.5	2	20 ¹ / ₄ (515)	46 (21)
		50DWFU62.2	2.2	3	21 ⁷ / ₁₆ (545)	57 (26)



EBARA Submersible Stainless Steel Pumps

DWXU – Dominator

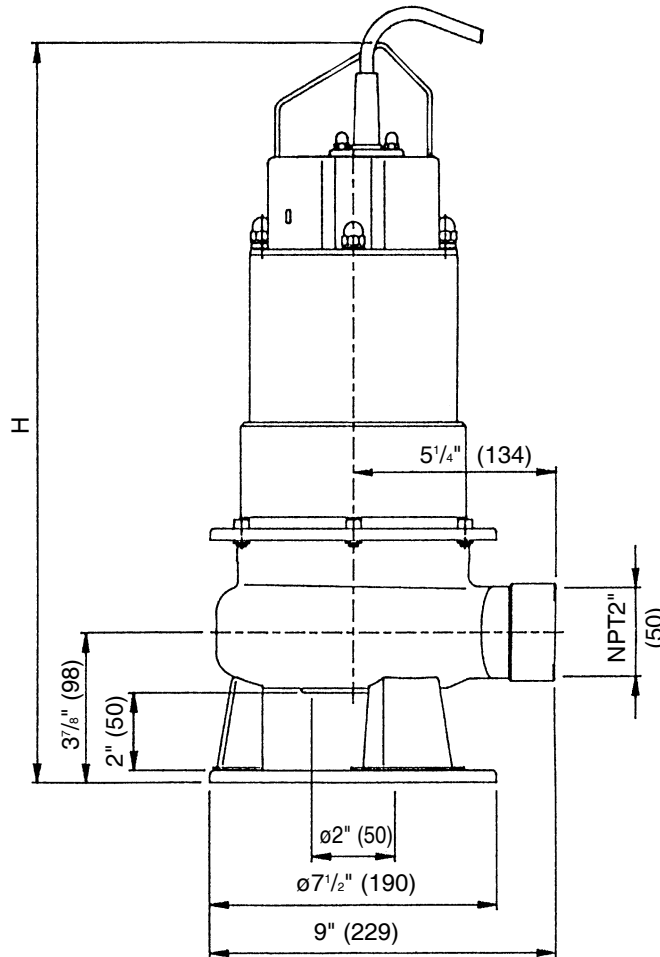
Dimensions

Project: _____ Model: _____ Chk'd: _____ Date: _____

Model DWXU
Manual Operation Pumps



Unit: inch (mm)



Note: Three phase motors are equipped with a Power Cable and a Thermal Protection Cable

Phase	Size ø	Model	Output		Pump	Weight Lbs (kg)
			kw	HP	H	
Single	2" (50mm)	50DWXU6.4S	0.4	1/2	21 ⁵ / ₈ (550)	35 (16)
		50DWXU6.75S	0.75	1	22 ¹³ / ₁₆ (580)	40 (18)
		50DWXU6.4S2	0.4	1/2	19 ¹ / ₈ (485)	35 (16)
		50DWXU6.75S2	0.75	1	20 ¹ / ₄ (515)	40 (18)
		50DWXU61.1S2	1.1	1 1/2	20 ¹ / ₄ (515)	44 (20)
		50DWXU61.5S2	1.5	2	24 (610)	51 (23)
Three	2" (50mm)	50DWXU6.4	0.4	1/2	19 ¹ / ₈ (485)	33 (15)
		50DWXU6.75	0.75	1	19 ¹ / ₈ (485)	35 (16)
		50DWXU61.1	1.1	1 1/2	20 ¹ / ₄ (515)	40 (18)
		50DWXU61.5	1.5	2	20 ¹ / ₄ (515)	44 (20)
		50DWXU62.2	2.2	3	21 ⁷ / ₁₆ (545)	55 (25)



EBARA Submersible Stainless Steel Pumps

DWXFU – Dominator

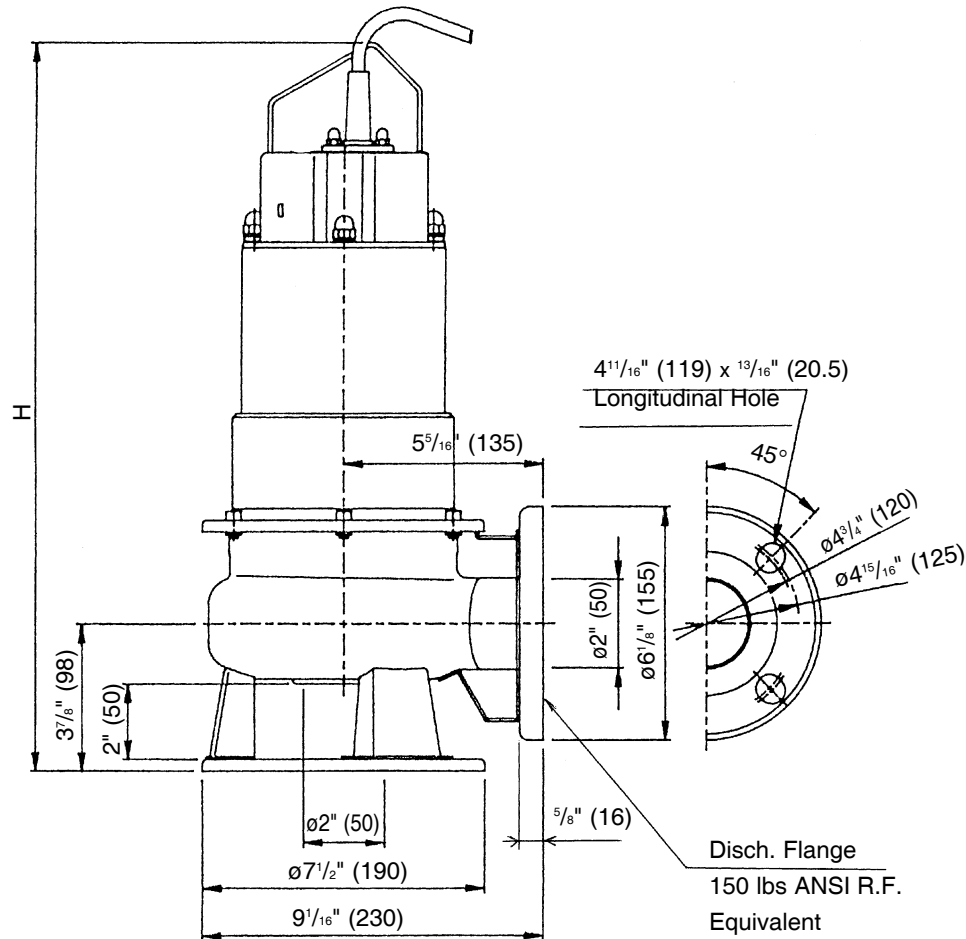
Dimensions

Project: _____ Model: _____ Chk'd: _____ Date: _____

Model DWXFU
Manual Operation Pumps



Unit: inch (mm)



Note: Three phase motors are equipped with a Power Cable and a Thermal Protection Cable

Phase	Size ∅	Model	Output		Pump	Weight Lbs (kg)
			kw	HP	H	
Single	2" (50mm)	50DWXFU6.4S	0.4	1/2	21 ⁵ / ₈ (550)	37 (17)
		50DWXFU6.75S	0.75	1	22 ¹³ / ₁₆ (580)	42 (19)
		50DWXFU6.4S2	0.4	1/2	19 ¹ / ₈ (485)	37 (17)
		50DWXFU6.75S2	0.75	1	20 ¹ / ₄ (515)	42 (19)
		50DWXFU61.1S2	1.1	1 1/2	20 ¹ / ₄ (515)	46 (21)
		50DWXFU61.5S2	1.5	2	24 (610)	53 (24)
Three	2" (50mm)	50DWXFU6.4	0.4	1/2	19 ¹ / ₈ (485)	35 (16)
		50DWXFU6.75	0.75	1	19 ¹ / ₈ (485)	37 (17)
		50DWXFU61.1	1.1	1 1/2	20 ¹ / ₄ (515)	42 (19)
		50DWXFU61.5	1.5	2	20 ¹ / ₄ (515)	46 (21)
		50DWXFU62.2	2.2	3	21 ⁷ / ₁₆ (545)	57 (26)



EBARA Submersible Stainless Steel Pumps

DWAU, DWXAU – Dominator

Dimensions

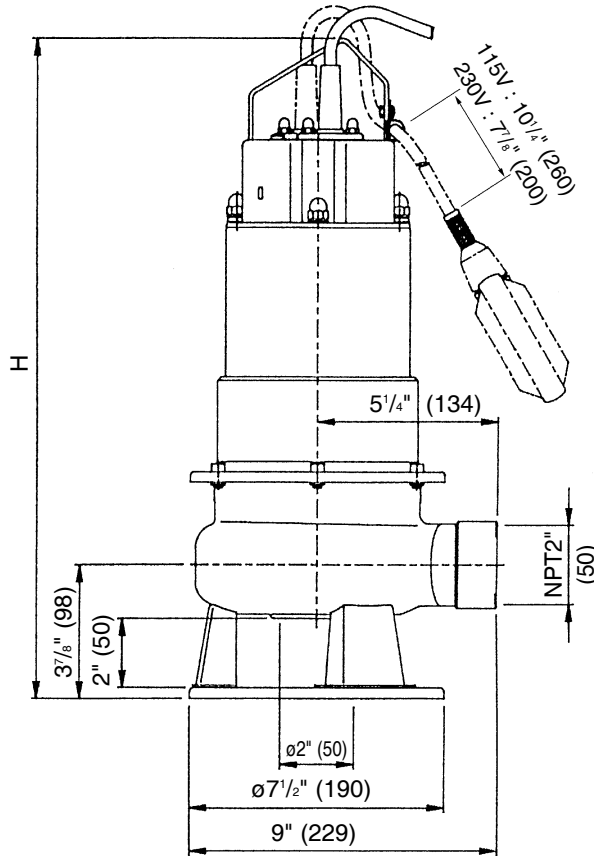
Project: _____ Model: _____ Chk'd: _____ Date: _____

Model DWAU
Model DWXAU

Automatic Operation Pumps



Unit: inch (mm)



Model DWAU

Phase	Size ø	Model	Output		Pump	Weight Lbs (kg)
			kw	HP	H	
Single	2" (50mm)	50DWAU6.4S	0.4	1/2	21 ⁵ / ₈ (550)	35 (16)
		50DWAU6.75S	0.75	1	22 ¹³ / ₁₆ (580)	40 (18)
		50DWAU6.4S2	0.4	1/2	19 ¹ / ₈ (485)	35 (16)
		50DWAU6.75S2	0.75	1	20 ¹ / ₄ (515)	40 (18)
		50DWAU61.1S2	1.1	1 1/2	20 ¹ / ₄ (515)	44 (20)

Model DWXAU

Phase	Size ø	Model	Output		Pump	Weight Lbs (kg)
			kw	HP	H	
Single	2" (50mm)	50DWXAU6.4S	0.4	1/2	21 ⁵ / ₈ (550)	35 (16)
		50DWXAU6.75S	0.75	1	22 ¹³ / ₁₆ (580)	40 (18)
		50DWXAU6.4S2	0.4	1/2	19 ¹ / ₈ (485)	35 (16)
		50DWXAU6.75S2	0.75	1	20 ¹ / ₄ (515)	40 (18)
		50DWXAU61.1S2	1.1	1 1/2	20 ¹ / ₄ (515)	44 (20)



EBARA Submersible Stainless Steel Pumps

DWFAU, DWXFAU – Dominator

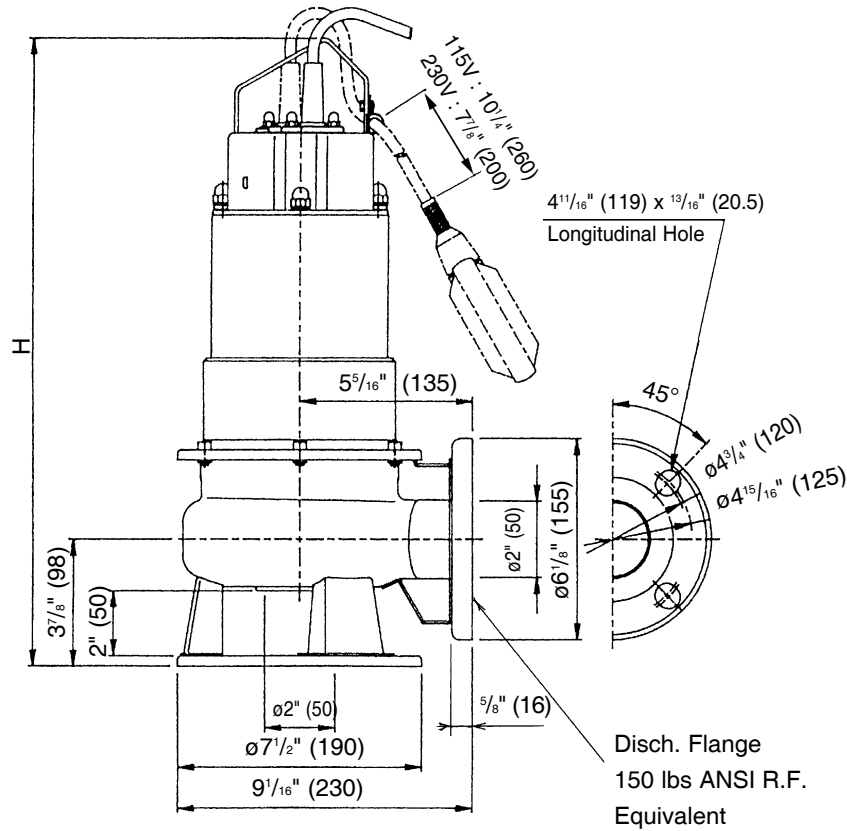
Dimensions

Project: _____ Model: _____ Chk'd: _____ Date: _____

Model DWFAU
Model DWXFAU
 Automatic Operation Pumps



Unit: inch (mm)



Model DWFAU

Phase	Size ø	Model	Output		Pump	Weight Lbs (kg)
			kw	HP	H	
Single	2" (50mm)	50DWFAU6.4S	0.4	1/2	21 5/8 (550)	37 (17)
		50DWFAU6.75S	0.75	1	22 13/16 (580)	42 (19)
		50DWFAU6.4S2	0.4	1/2	19 1/8 (485)	37 (17)
		50DWFAU6.75S2	0.75	1	20 1/4 (515)	42 (19)
		50DWFAU61.1S2	1.1	1 1/2	20 1/4 (515)	46 (21)

Model DWXFAU

Phase	Size ø	Model	Output		Pump	Weight Lbs (kg)
			kw	HP	H	
Single	2" (50mm)	50DWXFAU6.4S	0.4	1/2	21 5/8 (550)	37 (17)
		50DWXFAU6.75S	0.75	1	22 13/16 (580)	42 (19)
		50DWXFAU6.4S2	0.4	1/2	19 1/8 (485)	37 (17)
		50DWXFAU6.75S2	0.75	1	20 1/4 (515)	42 (19)
		50DWXFAU61.1S2	1.1	1 1/2	20 1/4 (515)	46 (21)



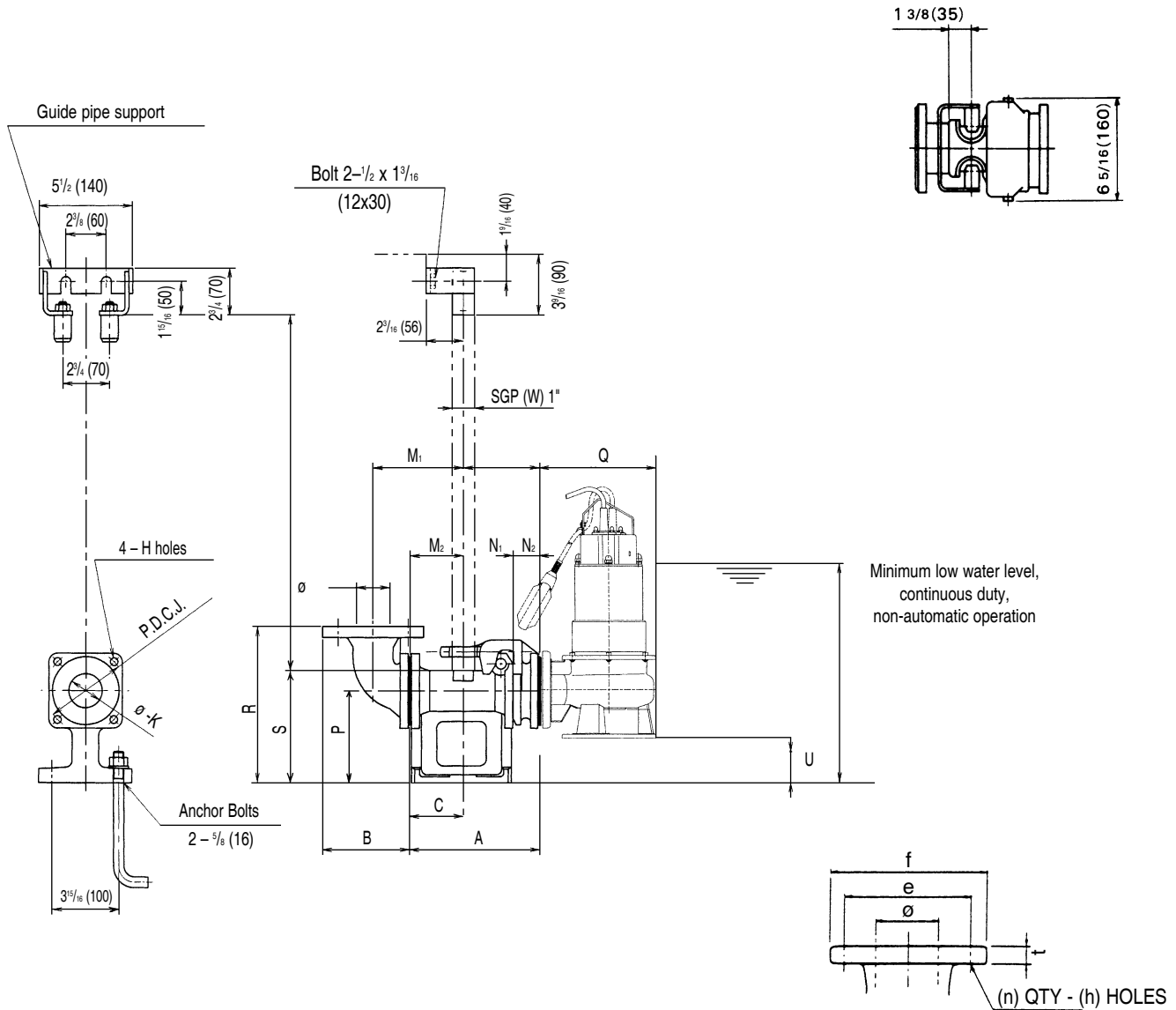
EBARA Submersible Stainless Steel Pumps

DWU, DWXU – Dominator

Dimensions

Project: _____ Model: _____ Chk'd: _____ Date: _____

Model DWFU with Quick Discharge Connector



Minimum low water level,
continuous duty,
non-automatic operation

Flange (ANSI 125 PSI F.F)

inch					
ø	e	f	t	n	h
2	4 ³ / ₄	6	5 ⁵ / ₈	4	3 ³ / ₄
mm					
ø	e	f	t	n	h
50	121	152	16	4	19

Dimensions: inch

MODEL	A	B	C	H	J	K	M ₁	M ₂	N ₁	N ₂	P	Q	R	S	U	QDC WEIGHT Lb
LM50	7 ¹¹ / ₁₆	5 ¹ / ₄	3 ³ / ₈	1 ¹ / ₂	4 ³ / ₄	2	5 ⁵ / ₁₆	3 ³ / ₈	4 ¹ / ₂	1 ⁹ / ₁₆	5 ⁵ / ₁₆	9 ¹ / ₈	9 ¹ / ₁₆	6 ¹ / ₂	2 ⁵ / ₁₆	25

Dimensions: mm

MODEL	A	B	C	H	J	K	M ₁	M ₂	N ₁	N ₂	P	Q	R	S	U	QDC WEIGHT kg
LM50	195	133	80	12	120	2	135	80	115	40	135	230	230	165	55	12



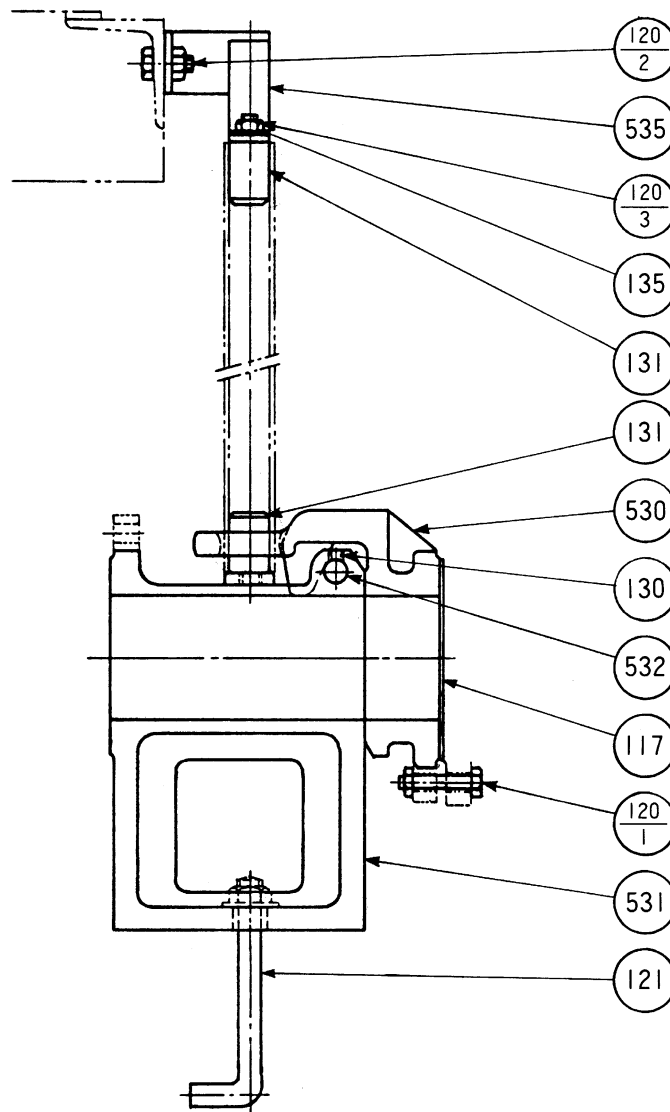
EBARA Submersible Stainless Steel Pumps

DWU, DWXU – Dominator

Dimensions

Project: _____ Model: _____ Chk'd: _____ Date: _____

Models LM50



Part No.	Part Name	Material		ASTM, AISI, CODE		No. for 1 Unit
		Model LM	Model LME	Model LM	Model LME	
117	Gasket					1
120-1	Bolt & Nut	304 Stainless		AISI304		4
120-2	Bolt & Nut	304 Stainless		AISI304		2
120-3	Nut	304 Stainless		AISI304		2
121	Anchor Bolt	Steel		A283 Grade D		2
130	Set Screw	304 Stainless		AISI304		1
131	Guide Pin	Steel	Brass	A283 Grade D	B36 C27200	4
135	Washer	304 Stainless		AISI403		2
530	Connector	Cast Iron	Bronze	A48 Class 30	B584 C83600	1
531	Body	Cast Iron		A48 Class 30		1
532	Support Bar	420 Stainless		AISI420		1
535	Guide Support Plate	Steel		A283 Grade D		1



EBARA Submersible Stainless Steel Pumps DWU, DWAU, DWXU, DWXAU – Dominator

Sectional View

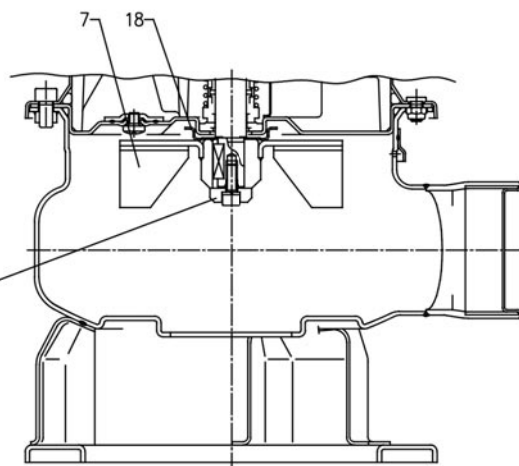
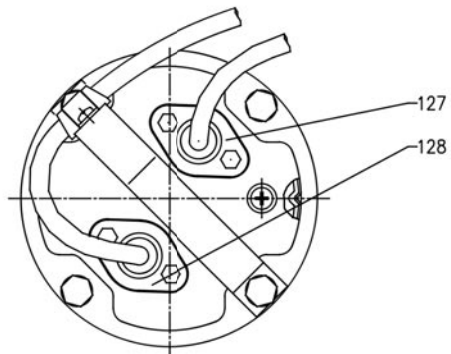
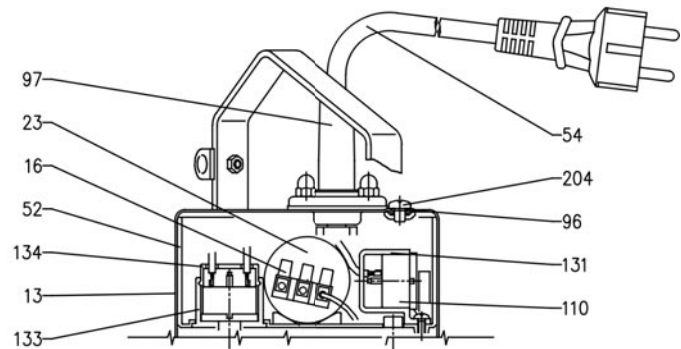
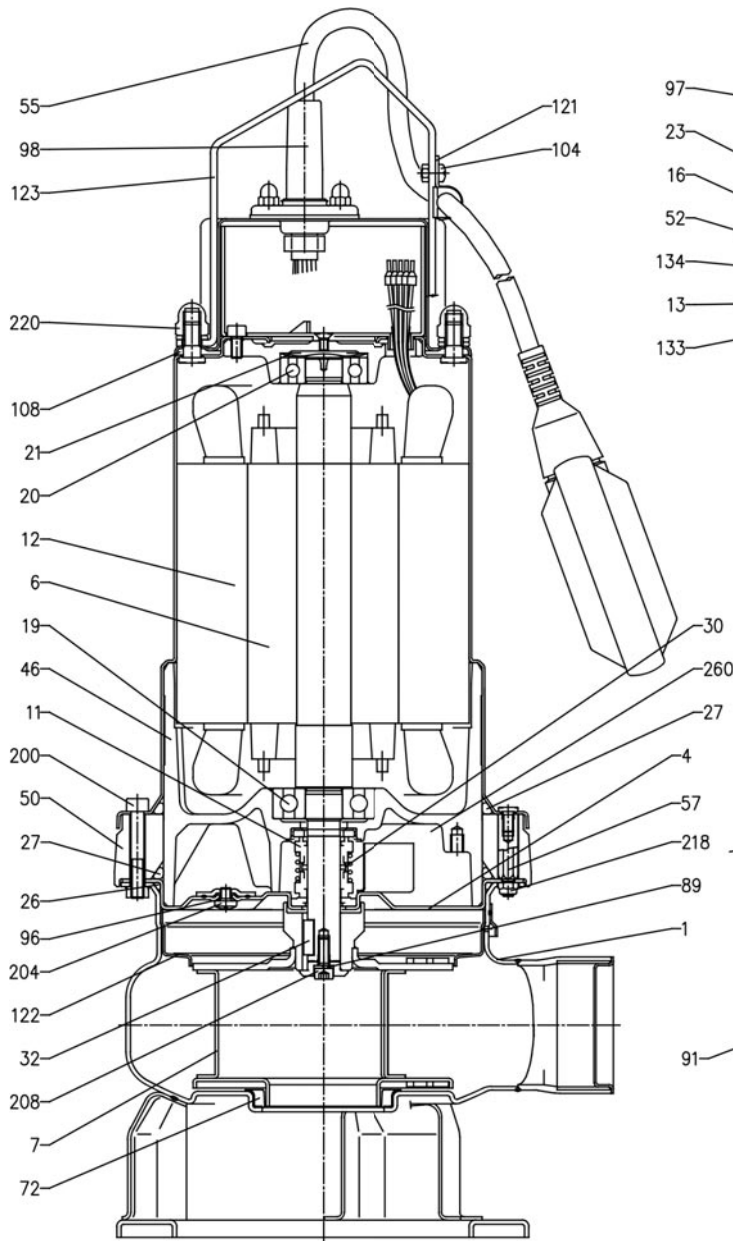
Project: _____ Model: _____ Chk'd: _____ Date: _____

Model DWU, DWXU Manual Type
Model DWAU, DWXAU Automatic Type

DWU, DWAU Single Phase Motor



Three Phase Motor



Illinois Location:
(847) 841-7867
860 Church Rd Elgin, IL 60123

Minnesota Location:
(651) 758-7867
330 Mill Bay South Suite 1511
Afton, MN 55001

PumpSupplyInc.com

PUMP SUPPLY
INCORPORATED



EBARA Submersible Stainless Steel Pumps DWU, DWAU, DWXU, DWXAU – Dominator

Sectional View

Project: _____ Model: _____ Chk'd: _____ Date: _____

SECTIONAL VIEW TABLE

N°	Part Name	Material	QTY
1	Casing	AISI 304	1
4	Casing Cover	AISI 304	1
6	Shaft with rotor	AISI 304	1
7	Impeller	AISI 304	1
11	Mechanical Seal [7]	SiC/SiC/NBR	1
11	Mechanical Seal [7]	Carbon/Ceramic/NBR	1
12	Motor frame with stator	-	1
13	Motor cover	AISI 304	1
16	Terminal	-	1
18	Mechanical seal protection	AISI 304	1
19	Lower side ball bearing	-	1
20	Upper side ball bearing	-	1
21	Adjusting ring	Steel C70	1
23	Capacitor [1]	-	1
26	O ring	NBR	1
27	O ring	NBR	1
27	O ring [2]	NBR	1
30	Mechanical seal spacer	Brass	1
32	Key	AISI 316	1
46	Bearing housing	G20	1
50	Spacer [2]	G20	1
52	Terminal insulating box	-	1
54	Power cable	-	1
55	Float switch [4]	-	1


N°	Part Name	Material	QTY
57	Spacer [2]	AISI 304	4
72	Casing ring [4]	NBR	1
89	Washer	AISI 304	1
91	Washer	AISI 304	1
96	O ring	NBR	3
97	Power cable entry	NBR	1
98	Floating sw cable entry [3]	NBR	1
104	Cable guard [3]	NBR	1
108	Cover gasket	NBR	1
110	Protector [1]	-	2
121	Support for float switch [3]	AISI 304	1
122	Impeller protection ring [5]	AISI 304	1
123	Handle	AISI 304	1
127	Power cable connector	AISI 304	1
128	Floating sw. cable connector [3]	AISI 304	1
131	Support for protector [6]	PA66	1
133	Support for probe [6]	Aluminum	1
134	Cover for support probe [6]	PA66	1
200	Screw	Stainless Steel A2 UNI 7323	6
204	Screw	Stainless Steel A2 UNI 7323	3
208	Screw	Stainless Steel A2 UNI 7323	1
218	Nut	Stainless Steel A2 UNI 7323	4
220	Nut	Stainless Steel A2 UNI 7323	4
260	Lubricating liquid	White mineral oil	-

- [1] Only for Single phase
- [2] Only for DW-DW Vox 3006
- [3] Only for Single phase with float switch
- [4] Only for DW
- [5] Except for DW Vox 1506, 2006 and 3006
- [6] Only for Single phase with external motor protection
- [7] See MECHANICAL SEAL page 1-160

Illinois Location:
 (847) 841-7867
 860 Church Rd Elgin, IL 60123

Minnesota Location:
 (651) 758-7867
 330 Mill Bay South Suite 1511
 Afton, MN 55001

PumpSupplyInc.com



PUMP SUPPLY INCORPORATED



EBARA Submersible Stainless Steel Pumps

DWU, DWFU – Dominator

Motor Specification

Project: _____ Model: _____ Chk'd: _____ Date: _____



Model DWU, DWAU, DWFU, DWFAU, DWXU, DWXAU, DWXFU, DWXFAU

Output		Phase	Rating			Locked Rotor Current A	Insulation Class	Overload Protection	Power Cable					Performance Data at Rating Point		Resistance at 20°C Ohms	* Symbols						
HP	kW		Voltage V	Current A	Speed R.P.M.				Type	No. of Cond	mm ²	AWG	Length Ft	Efficiency %	Power Factor %								
1/2	0.4	Single	115	8.3	3350	33.7	F	Built-In Auto Cut	SOOW	3	1.25	#16	25	63.3	98.0	0.66	EI						
			230	4.4	3350	10.7					62.3	95.8		2.38	EI								
1	0.75		115	11	3375	46.8					2.0	#14		74.6	99.0	0.50	EI						
			230	6.5	3375	28.5					1.25	#16		72.8	94.3	1.54	EI						
1 1/2	1.1		230	7.5	3380	36.8					77.6	96.3		1.11	EI								
2	1.5		230	11.1	3479	66.0					79.5	96.0		0.62	EI								
1/2	0.4	Three	230	3.0	3425	23.0	Thermal Sensor	SOOW	4	1.25	#16	25	76.5	62.0	4.15	EI							
			460	1.4	3450	9.9							76.8	70.0	20.0	EI							
1	0.75		230	4.2	3475	32.3							80.4	75.9	2.82	EI							
			460	2.0	3450	18.7							81.0	76.7	13.05	EI							
1 1/2	1.1		230	5.1	3500	47.0							81.7	75.9	1.94	EI							
			460	2.5	3450	24.4							82.6	75.4	7.43	EI							
2	1.5		230	7.3	3475	68.7							81.8	75.1	1.30	EI							
			460	3.6	3450	32.5							82.0	81.3	5.57	EI							
3	2.2		230	8.5	3475	89.2							83.6	87.3	.884	EI							
			460	4.2	3500	48.5							84.4	81.3	3.53	EI							
Thermal Protection Cable																							
															SOOW	2	0.75	#18	25				

Illinois Location:
(847) 841-7867
860 Church Rd Elgin, IL 60123

Minnesota Location:
(651) 758-7867
330 Mill Bay South Suite 1511
Afton, MN 55001

PumpSupplyInc.com



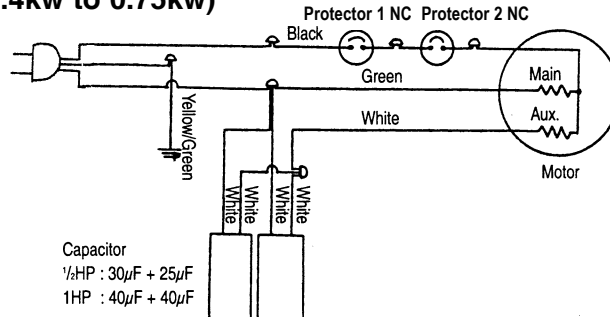
EBARA Submersible Stainless Steel Pumps DWU, DWFU, DWXU, DWXFU – Dominator

Motor Wiring Diagram

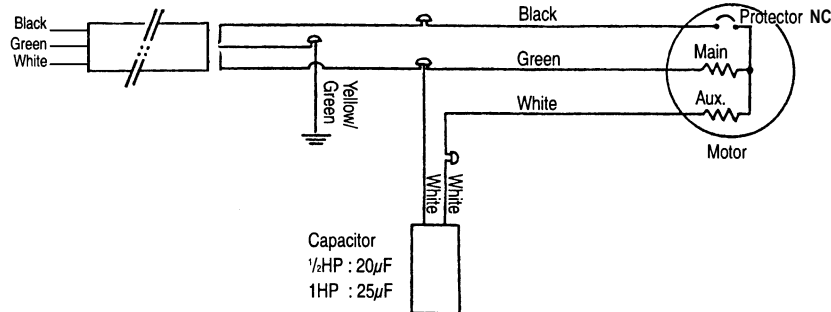
Project: _____ Model: _____ Chk'd: _____ Date: _____

**DWU, DWFU, DWXU, DWXFU
Manual Operation Type (Single Phase)**

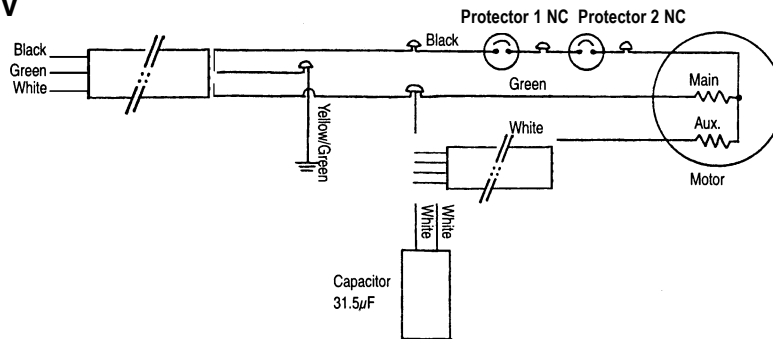
- Output 1/2 to 1 HP (0.4kw to 0.75kw)
115V



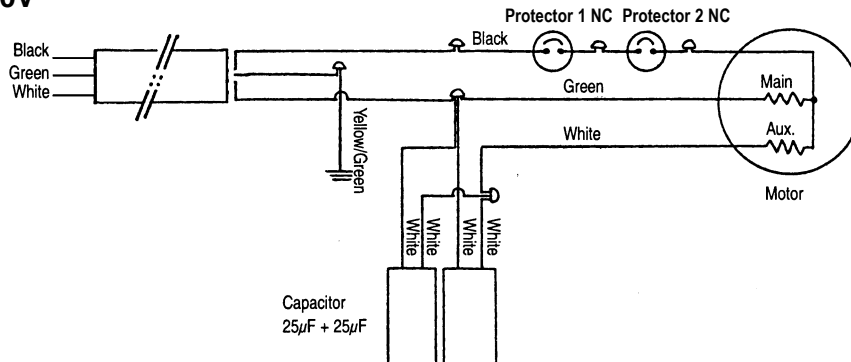
- Output 1/2 to 1 HP (0.4kw to 0.75kw)
208/230V



- Output 1 1/2HP (1.1kw)
208/230V



- Output 2HP (1.5kw)
208/230V

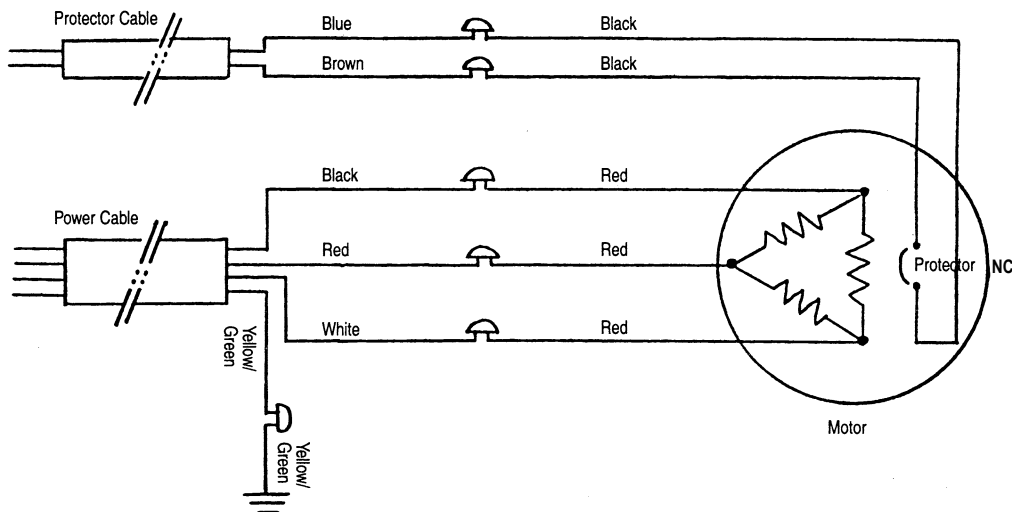


EBARA Submersible Stainless Steel Pumps DWU, DWFU, DWXU, DWXFU – Dominator Motor Wiring Diagram

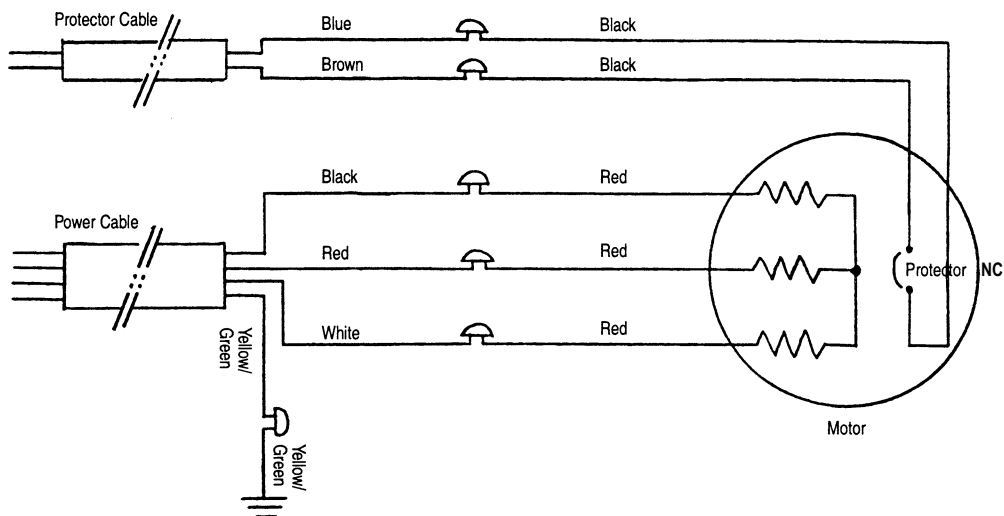
Project: _____ Model: _____ Chk'd: _____ Date: _____

DWU, DWFU, DWXU, DWXFU Manual Operation Type (Three Phase)

208/230V





460V



Illinois Location:
 (847) 841-7867
 860 Church Rd Elgin, IL 60123

Minnesota Location:
 (651) 758-7867
 330 Mill Bay South Suite 1511
 Afton, MN 55001

PumpSupplyInc.com



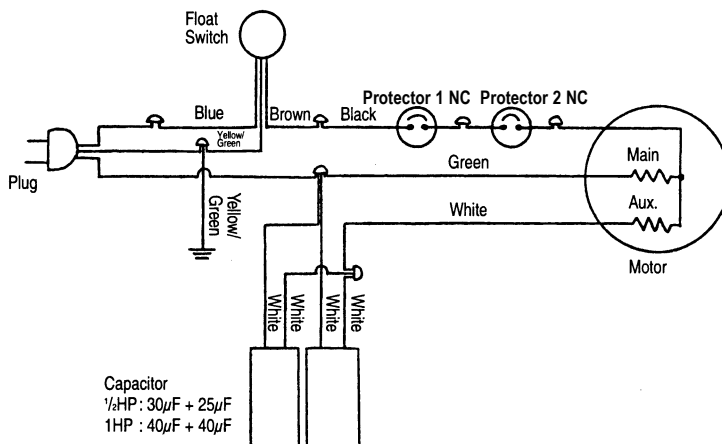
EBARA Submersible Stainless Steel Pumps DWAU, DWFAU, DWXAU, DWXFAU –

Dominator

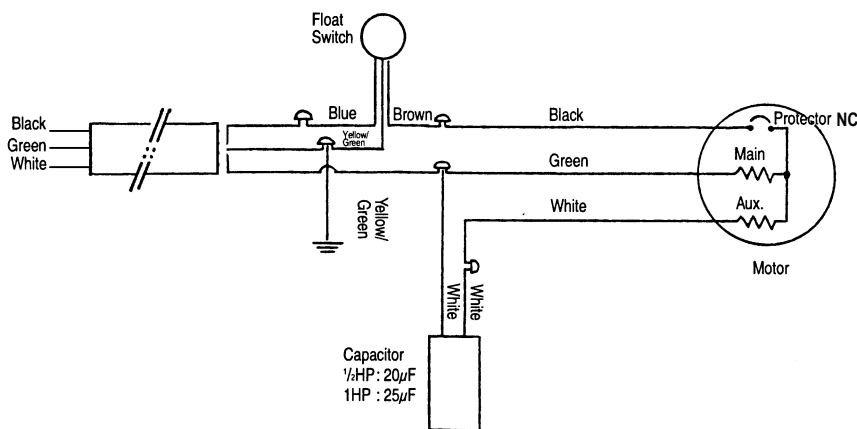
Motor Wiring Diagram

**DWAU, DWFAU, DWXAU, DWXFAU
Automatic Operation Type (Single Phase)**

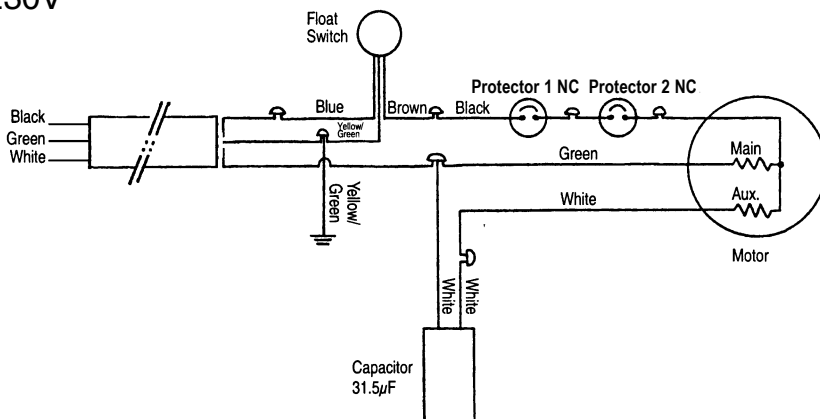
- **Output 1/2 to 1 HP (0.4kw to 0.75kw)
115V**



208/230V



- **Output 1 1/2HP (1.1kw)
208/230V**



EBARA Submersible Stainless Steel Pumps

DWU, DWFU – Dominator

Electrical Data

Project: _____ Model: _____ Chk'd: _____ Date: _____


**Model DW(A)U, DWF(A)U
 DWX(A)U, DWF(A)U
 1/2 to 1 HP, 60Hz, Single Phase, 115V**

Name- Plate Rating	Item No.				
	Output (HP)	1/2	1		
	Phase	1	1		
	Poles	2	2		
	Volts	115	115		
	Amperes	8.3	11		
	Speed	3350	3375		
	Insulation Class	F	F		
Capacitor μ F	Start				
	Run	55	80		
No Load Test	Amperes	1.36	2.90		
	Watts	284	300		
Resistance at 20°C OHMS	Main Coil	0.66	0.495		
	Aux. Coil	1.973	1.183		
100% Load	Current Amp.	5.3	8.8		
	Efficiency %	63.3	74.6		
	Power Factor %	98.0	99.0		
	Speed RPM	3490	3435		
Locked Rotor Torque	%	145	75.5		
Locked Rotor Current	Amp.	33.7	46.8		
Number Starts Per Hour		20	20		
Voltage Tolerance	%	±5			
Frequency Tolerance	%	±5			
(Ref. data Mfr.'s Symbols)		EI	EI		

Illinois Location:
 (847) 841-7867
 860 Church Rd Elgin, IL 60123

Minnesota Location:
 (651) 758-7867
 330 Mill Bay South Suite 1511
 Afton, MN 55001

PumpSupplyInc.com



**PUMP SUPPLY
 INCORPORATED**



EBARA Submersible Stainless Steel Pumps

DWU, DWFU – Dominator

Electrical Data

Project: _____ Model: _____ Chk'd: _____ Date: _____

**Model DW(A)U, DWF(A)U
 DWX(A)U, DWXF(A)U
 1/2 to 2 HP, 60Hz, Single Phase, 208V**

Name- Plate Rating	Item No.				
	Output (HP)	1/2	1	1 1/2	2*
	Phase	1	1	1	1
	Poles	2	2	2	2
	Volts	208	208	208	208
	Amperes	3.8	4.8	6.9	8.8
	Speed	3415	3451	3429	3468
	Insulation Class	F	F	F	F
Capacitor μ F	Start	-	-	-	-
	Run	20	25	32	50
No Load Test	Amperes	1.20	1.83	1.94	2.63
	Watts	189	188	240	376
Resistance at 20°C OHMS	Main Coil	2.45	1.54	1.176	0.758
	Aux. Coil	5.20	3.21	2.485	1.316
100% Load	Current Amp.	3.8	4.8	6.9	8.8
	Efficiency %	74.8	78.3	79.4	79.9
	Power Factor %	0.98	0.94	0.96	0.98
	Speed RPM	3415	3451	3429	3468
Locked Rotor Torque	Nm	0.79	0.66	1.12	1.45
Locked Rotor Current	Amp.	14.2	26.6	34.9	50.7
Number Starts Per Hour		20	20	20	20
Voltage Tolerance	%	±5			
Frequency Tolerance	%	±5			
(Ref. data Mfr.'s Symbols)		EI			


*Note: 2 hp not available in automatic operation



Illinois Location:
 (847) 841-7867
 860 Church Rd Elgin, IL 60123

Minnesota Location:
 (651) 758-7867
 330 Mill Bay South Suite 1511
 Afton, MN 55001

PumpSupplyInc.com



EBARA Submersible Stainless Steel Pumps

DWU, DWFU – Dominator

Electrical Data

Project: _____ Model: _____ Chk'd: _____ Date: _____


**Model DWXU, DWFU
1/2 to 3 HP, 60Hz, Three Phase, 208V**

Name- Plate Rating	Item No.					
	Output (HP)	1/2	1	1 1/2	2	3
	Phase	3	3	3	3	3
	Poles	2	2	2	2	2
	Volts	208	208	208	208	208
	Amperes	2.5	4.0	4.5	6.1	8.4
	Speed	3498	3484	3493	3506	3406
	Insulation Class	F	F	F	F	F
Capacitor μ F	Start	—	—	—	—	—
	Run	—	—	—	—	—
No Load Test	Amperes	1.7	3.1	2.5	3.4	4.4
	Watts	72	143	112	127	150
Resistance at 20°C OHMS	R Delta	4.16	3.00	1.97	1.29	0.88
	R phase	6.24	4.50	2.95	1.94	1.32
100% Load	Current Amp.	2.5	4.0	4.5	6.1	8.4
	Efficiency %	82.8	79.4	84.2	83.5	86.3
	Power Factor %	0.74	0.65	0.82	0.80	0.84
	Speed RPM	3498	3484	3493	3506	3406
Locked Rotor Torque Nm	5.6	7.2	11.6	18.2	25.1	
Locked Rotor Current Amp.	19.6	28.0	39.4	59.2	82.8	
Number Starts Per Hour	20	20	20	20	20	
Voltage Tolerance %	±5					
Frequency Tolerance %	±5					
(Ref. data Mfr.'s Symbols)	EI	EI	EI	EI	EI	

Illinois Location:
(847) 841-7867
860 Church Rd Elgin, IL 60123

Minnesota Location:
(651) 758-7867
330 Mill Bay South Suite 1511
Afton, MN 55001

PumpSupplyInc.com



PS **PUMP SUPPLY**
INCORPORATED



EBARA Submersible Stainless Steel Pumps

DWU, DWFU – Dominator

Electrical Data

Project: _____ Model: _____ Chk'd: _____ Date: _____

**Model DW(A)U, DWF(A)U
 DWX(A)U, DWXF(A)U
 1/2 to 2 HP, 60Hz, Single Phase, 230V**

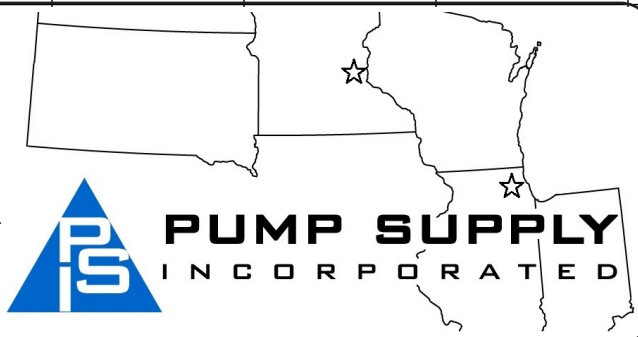
Name-Plate Rating	Item No.					
	Output (HP)	1/2	1	1 1/2	2*	
	Phase	1	1	1	1	
	Poles	2	2	2	2	
	Volts	230	230	230	230	
	Amperes	4.4	6.5	7.5	11.1	
	Speed	3350	3375	3380	3479	
	Insulation Class	F	F	F	F	
Capacitor μ F	Start					
	Run	20	25	31.5	45	
No Load Test	Amperes	1.65	2.22	2.40	2.73	
	Watts	293	330	370	420	
Resistance at 20°C OHMS	Main Coil	2.38	1.54	1.11	0.62	
	Aux. Coil	5.11	3.47	2.34	1.30	
100% Load	Current Amp.	2.73	4.75	6.40	8.8	
	Efficiency %	62.3	72.8	77.6	79.5	
	Power Factor %	95.8	94.3	96.3	96.0	
	Speed RPM	3490	3460	3440	3440	
Locked Rotor Torque	%	151	67	58	55	
Locked Rotor Current	Amp.	10.7	28.5	36.8	66	
Number Starts Per Hour		20	20	20	20	
Voltage Tolerance	%	±5				
Frequency Tolerance	%	±5				
(Ref. data Mfr's Symbols)		EI	EI	EI	EI	

*Note: 2 hp not available in automatic or Illinois Location.

Illinois Location:
 (847) 841-7867
 860 Church Rd Elgin, IL 60123

Minnesota Location:
 (651) 758-7867
 330 Mill Bay South Suite 1511
 Afton, MN 55001

PumpSupplyInc.com



EBARA Submersible Stainless Steel Pumps

DWU, DWFU – Dominator

Electrical Data

Project: _____ Model: _____ Chk'd: _____ Date: _____



**Model DWU, DWFU, DWXU, DWXFU
1/2 to 3HP, 60Hz, Three Phase, 230V**

Name- Plate Rating	Item No.					
	Output (HP)	1/2	1	1 1/2	2	3
	Phase	3	3	3	3	3
	Poles	2	2	2	2	2
	Volts	230	230	230	230	230
	Amperes	3.00	4.2	5.1	7.3	8.5
	Speed	3425	3475	3500	3475	3475
	Insulation Class	F	F	F	F	F
Capacitor μ F	Start	—	—	—	—	—
	Run	—	—	—	—	—
No Load Test	Amperes	1.64	1.87	2.68	3.78	2.68
	Watts	122	146	165	238	120
Resistance at 20°C OHMS	Coil	4.15	2.82	1.94	1.30	0.884
100% Load	Current Amp.	1.99	3.14	4.50	6.06	7.5
	Efficiency %	76.5	80.4	81.7	81.8	83.6
	Power Factor %	62.0	75.9	75.9	75.1	87.3
	Speed RPM	3530	3510	3480	3510	3470
Locked Rotor Torque	%	592	500	440	415	521
Locked Rotor Current	Amp.	23.0	32.3	47.0	68.7	89.2
Number Starts Per Hour		20	20	20	20	20
Voltage Tolerance	%	±5				
Frequency Tolerance	%	±5				
(Ref. data Mfr's Symbols)		EI	EI	EI	EI	EI

Illinois Location:
(847) 841-7867
860 Church Rd Elgin, IL 60123

Minnesota Location:
(651) 758-7867
330 Mill Bay South Suite 1511
Afton, MN 55001

PumpSupplyInc.com



EBARA Submersible Stainless Steel Pumps

DWU, DWFU – Dominator

Electrical Data

Project: _____ Model: _____ Chk'd: _____ Date: _____



**Model DWU, DWFU, DWXU, DWXFU
1/2 to 3HP, 60Hz, Three Phase, 460V**

Name- Plate Rating	Item No.					
	Output (HP)	1/2	1	1 1/2	2	3
	Phase	3	3	3	3	3
	Poles	2	2	2	2	2
	Volts	460	460	460	460	460
	Amperes	1.4	2	2.5	3.6	4.2
	Speed	3450	3450	3450	3450	3500
	Insulation Class	F	F	F	F	F
Capacitor μ F	Start	—	—	—	—	—
	Run	—	—	—	—	—
No Load Test	Amperes	0.63	0.91	1.35	1.37	2.04
	Watts	111	140	171	214	162
Resistance at 20°C OHMS	Coil	20.0	13.05	7.43	5.57	3.53
100% Load	Current Amp.	0.877	1.52	2.23	2.86	4.0
	Efficiency %	76.8	81.0	82.6	82.0	84.4
	Power Factor %	70.0	76.7	75.4	81.3	81.3
	Speed RPM	3525	3505	3515	3505	3505
Locked Rotor Torque	%	549	475	584	546	521
Locked Rotor Current	Amp.	9.9	18.7	24.4	32.5	48.5
Number Starts Per Hour		20	20	20	20	20
Voltage Tolerance	%	±5				
Frequency Tolerance	%	±5				
(Ref. data Mfr.'s Symbols)		EI	EI	EI	EI	EI

Illinois Location:
(847) 841-7867
860 Church Rd Elgin, IL 60123

Minnesota Location:
(651) 758-7867
330 Mill Bay South Suite 1511
Afton, MN 55001

PumpSupplyInc.com



EBARA Submersible Stainless Steel Pumps

DWU, DWXU – Dominator

Technical Information

Project: _____ Model: _____ Chk'd: _____ Date: _____

Mechanical Sectional View

Since the mechanical seal is the most critical part of submersible pumps, EBARA provides the most reliable mechanical seal available for submersible pumps.

DOUBLE MECHANICAL SEALS with SUPER-HARD seal face are provided on all EBARA Dominator submersible pumps.

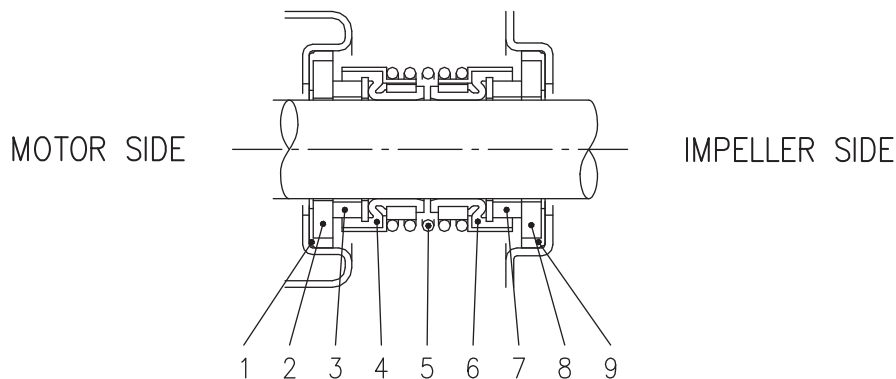
The double mechanical seal in oil chamber provides long life and friction-free sealing of the motor shaft.

Typical construction and materials are as follows:

• **Mechanical Seal**

- Type: MG91-D1/15-G54
- Motor side material: Ceramic/Carbon/NBR
- Impeller side material: SiC/SiC/FPM

- Lubricating Oil: _____
- Type: ESSO MARCOL 152



No.	Part Name	Material
1	Rubber seat	NBR
2	Stationary ring	Ceramic
3	Rotary ring	Graphite
4	Rotary seal	Rubber NBR
5	Coil Spring	AISI 304 stainless steel
6	Rotary seal	Rubber FPM
7	Rotary ring	Silicon carbide
8	Stationary ring	Silicon carbide
9	Rubber seat	FPM



EBARA Submersible Stainless Steel Pumps

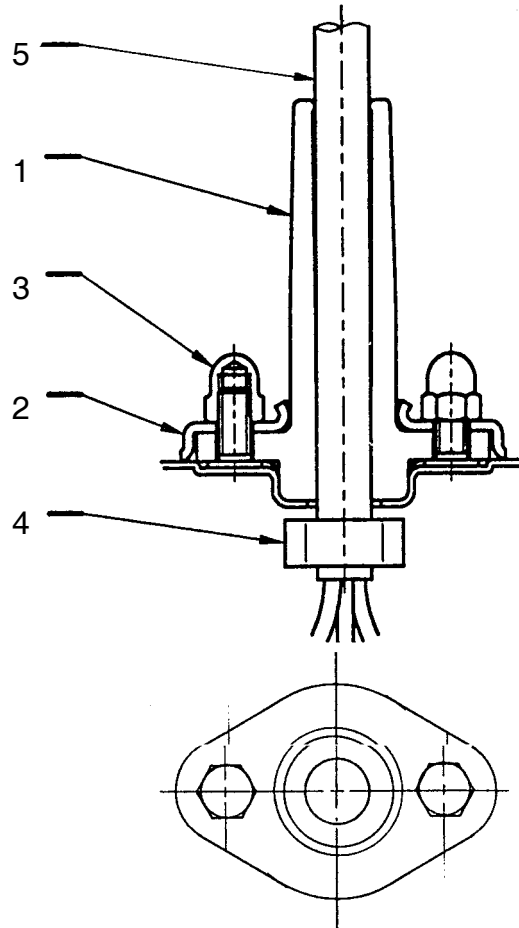
DWU, DWXU – Dominator

Technical Information

Project: _____ Model: _____ Chk'd: _____ Date: _____

Details of Cable Entry

Based on the years of experience, EBARA provides the most dependable cable entry construction of any submersible pump. Its features are as follows:



Part No.	Part Name	Material	ASTM, AISI Code	Remarks
1	Cable Connector	Rubber (NBR)		
2	Flange	304SS	AISI 304	
3	Cap Nut	304SS	AISI 304	Size: M5
4	Cable Stopper	Steel	A283 Grade D	
5	Submersible Cable	—		SOW-A
	for Float Switch	—		H05RN-F



EBARA Submersible Stainless Steel Pumps

DWU, DWXU – Dominator

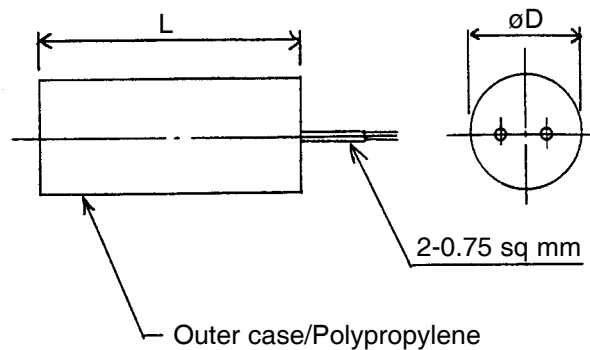
Technical Information

Project: _____ Model: _____ Chk'd: _____ Date: _____

Mechanical Seal and Ball Bearing

Model	Output		Mechanical Seal Type	Lubricating Oil		Ball Bearing		
	HP	kW		Capacity		Name	Bottom	Top
			Ozs	CC				
DWU-DWFU	1/2	0.4	MG91-D1/15-G54	14	385	White Mineral Oil	6303 ZZ	6203 ZZ
DWXU-DWXFU	1	0.75	MG91-D1/15-G54	14	385	Esso Marcol 152	6303 ZZ	6203 ZZ
	1 1/2	1.1	MG91-D1/15-G54	14	385		6303 ZZ	6203 ZZ
	2	1.5	MG91-D1/15-G54	14	385		6303 ZZ	6203 ZZ
	3	2.2	MG91-D1/15-G54	14	385		6303 ZZ	6203 ZZ

Capacitor



Phase	Output		Voltage (V)	Specification			Dimension		Remarks
	kW	HP		Capacity (µF)	Rated Voltage (V)	Max. Temp. (°F)	D	L	
Single	0.4	1/2	115	25	250	185	1 7/16	2 7/8	
				30	250	185	1 9/16	2 7/8	
			208/230	20	450	185	1 9/16	2 7/8	
	0.75	1	115	40	250	185	1 7/16	3 13/16	Use 2 pcs.
			208/230	25	450	185	1 7/16	3 13/16	
	1.1	1 1/2	208/230	31.5	450	185	1 9/16	3 13/16	
	1.5	2	208/230	25	450	185	1 9/16	2 7/8	
				25	450	185	1 7/16	3 13/16	



EBARA Submersible Stainless Steel Pumps

DWU, DWXU – Dominator

Technical Information

Project: _____ Model: _____ Chk'd: _____ Date: _____

Maximum Submergence of Pumps


EBARA submersible pumps shall be capable of continuous submergence underwater without loss of watertight integrity to the following depths:


Model	Operation	Maximum Submergence
DWU DWFU DWXU DWXFU	Manual Operation	33 ft.
DWAU DWFAU DWXAU DWXFAU	Automatic Operation (A)	33 ft.

Illinois Location:
 (847) 841-7867
 860 Church Rd Elgin, IL 60123

Minnesota Location:
 (651) 758-7867
 330 Mill Bay South Suite 1511
 Afton, MN 55001

PumpSupplyInc.com





PUMP SUPPLY
 INCORPORATED

