

Submersible Sewage Pump

Model DWU/DWXU Dominator



Dimensions



EBARA



**PUMP SUPPLY
INCORPORATED**

EBARA Pumps Americas Corporation

EBARA Submersible Stainless Steel Pumps

DWU – Dominator

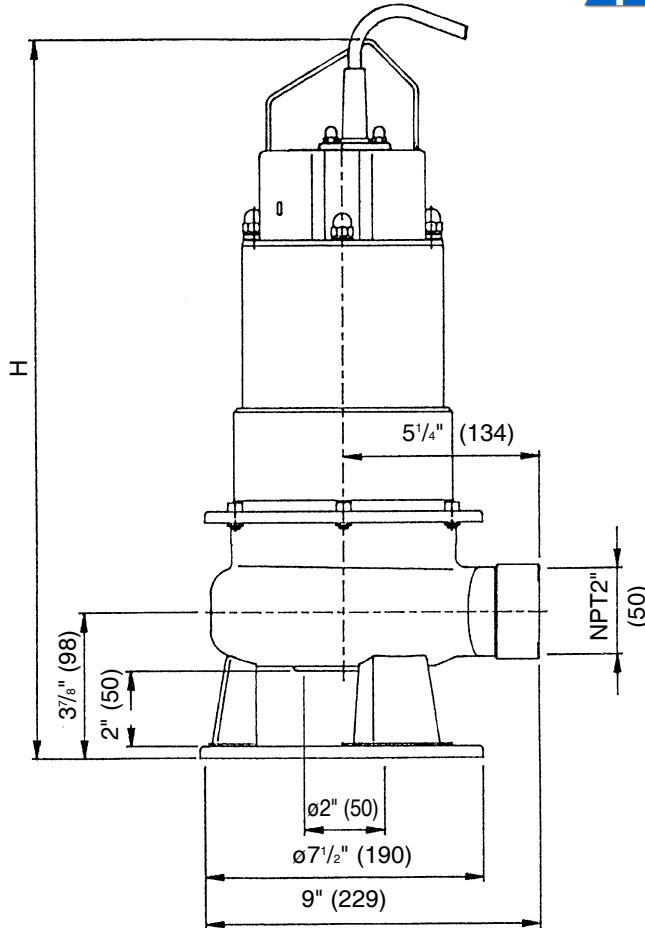
Dimensions

Project: _____ Model: _____ Chk'd: _____ Date: _____

Model DWU
Manual Operation Pumps



Unit: inch (mm)



Note: Three phase motors are equipped with a Power Cable and a Thermal Protection Cable

Phase	Size ø	Model	Output		Pump	Weight Lbs (kg)
			kw	HP	H	
Single	2" (50mm)	50DWU6.4S	0.4	1/2	21 ⁵ / ₈ (550)	35 (16)
		50DWU6.75S	0.75	1	22 ¹³ / ₁₆ (580)	40 (18)
		50DWU6.4S2	0.4	1/2	19 ¹ / ₈ (485)	35 (16)
		50DWU6.75S2	0.75	1	20 ¹ / ₄ (515)	40 (18)
		50DWU61.1S2	1.1	1 1/2	20 ¹ / ₄ (515)	44 (20)
		50DWU61.5S2	1.5	2	24 (610)	51 (23)
Three	2" (50mm)	50DWU6.4	0.4	1/2	19 ¹ / ₈ (485)	33 (15)
		50DWU6.75	0.75	1	19 ¹ / ₈ (485)	35 (16)
		50DWU61.1	1.1	1 1/2	20 ¹ / ₄ (515)	40 (18)
		50DWU61.5	1.5	2	20 ¹ / ₄ (515)	44 (20)
		50DWU62.2	2.2	3	21 ⁷ / ₁₆ (545)	55 (25)



EBARA Submersible Stainless Steel Pumps

DWFU – Dominator

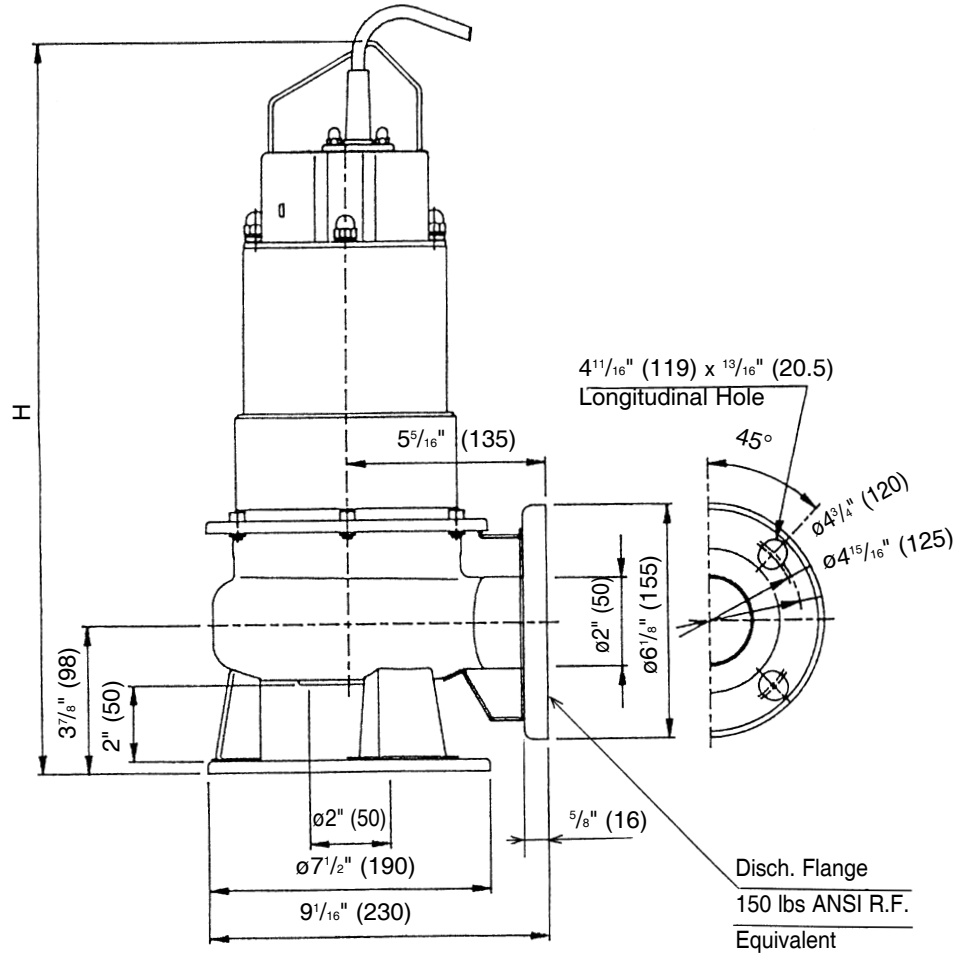
Dimensions

Project: _____ Model: _____ Chk'd: _____ Date: _____

Model DWFU
Manual Operation Pumps



Unit: inch (mm)



Note: Three phase motors are equipped with a Power Cable and a Thermal Protection Cable

Phase	Size ø	Model	Output		Pump	Weight Lbs (kg)
			kw	HP	H	
Single	2" (50mm)	50DWFU6.4S	0.4	1/2	21 ^{5/8} (550)	37 (17)
		50DWFU6.75S	0.75	1	22 ^{13/16} (580)	42 (19)
		50DWFU6.4S2	0.4	1/2	19 ^{1/8} (485)	37 (17)
		50DWFU6.75S2	0.75	1	20 ^{1/4} (515)	42 (19)
		50DWFU61.1S2	1.1	1 1/2	20 ^{1/4} (515)	46 (21)
		50DWFU61.5S2	1.5	2	24 (610)	53 (24)
Three	2" (50mm)	50DWFU6.4	0.4	1/2	19 ^{1/8} (485)	35 (16)
		50DWFU6.75	0.75	1	19 ^{1/8} (485)	37 (17)
		50DWFU61.1	1.1	1 1/2	20 ^{1/4} (515)	42 (19)
		50DWFU61.5	1.5	2	20 ^{1/4} (515)	46 (21)
		50DWFU62.2	2.2	3	21 ^{7/16} (545)	57 (26)



EBARA Submersible Stainless Steel Pumps

DWXU – Dominator

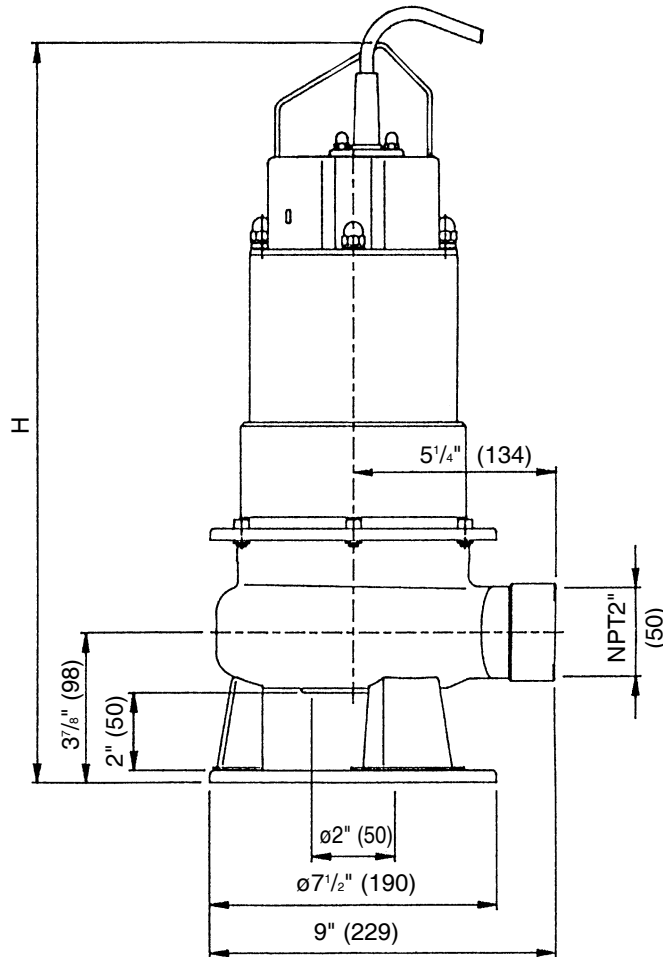
Dimensions

Project: _____ Model: _____ Chk'd: _____ Date: _____

Model DWXU
Manual Operation Pumps



Unit: inch (mm)



Note: Three phase motors are equipped with a Power Cable and a Thermal Protection Cable

Phase	Size ø	Model	Output		Pump	Weight Lbs (kg)
			kw	HP	H	
Single	2" (50mm)	50DWXU6.4S	0.4	1/2	21 ⁵ / ₈ (550)	35 (16)
		50DWXU6.75S	0.75	1	22 ¹³ / ₁₆ (580)	40 (18)
		50DWXU6.4S2	0.4	1/2	19 ¹ / ₈ (485)	35 (16)
		50DWXU6.75S2	0.75	1	20 ¹ / ₄ (515)	40 (18)
		50DWXU61.1S2	1.1	1 1/2	20 ¹ / ₄ (515)	44 (20)
		50DWXU61.5S2	1.5	2	24 (610)	51 (23)
Three	2" (50mm)	50DWXU6.4	0.4	1/2	19 ¹ / ₈ (485)	33 (15)
		50DWXU6.75	0.75	1	19 ¹ / ₈ (485)	35 (16)
		50DWXU61.1	1.1	1 1/2	20 ¹ / ₄ (515)	40 (18)
		50DWXU61.5	1.5	2	20 ¹ / ₄ (515)	44 (20)
		50DWXU62.2	2.2	3	21 ⁷ / ₁₆ (545)	55 (25)



EBARA Submersible Stainless Steel Pumps

DWXFU – Dominator

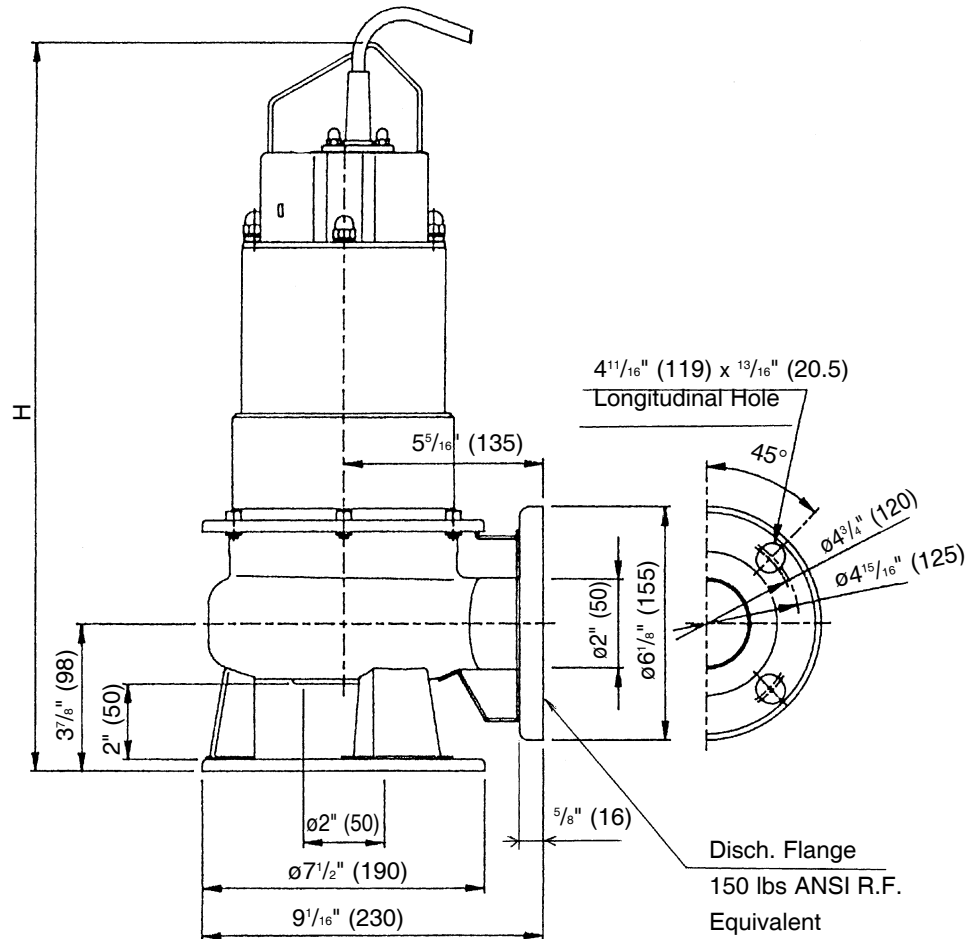
Dimensions

Project: _____ Model: _____ Chk'd: _____ Date: _____

Model DWXFU
Manual Operation Pumps



Unit: inch (mm)



Note: Three phase motors are equipped with a Power Cable and a Thermal Protection Cable

Phase	Size ∅	Model	Output		Pump	Weight Lbs (kg)
			kw	HP	H	
Single	2" (50mm)	50DWXFU6.4S	0.4	1/2	21 ⁵ / ₈ (550)	37 (17)
		50DWXFU6.75S	0.75	1	22 ¹³ / ₁₆ (580)	42 (19)
		50DWXFU6.4S2	0.4	1/2	19 ¹ / ₈ (485)	37 (17)
		50DWXFU6.75S2	0.75	1	20 ¹ / ₄ (515)	42 (19)
		50DWXFU61.1S2	1.1	1 1/2	20 ¹ / ₄ (515)	46 (21)
		50DWXFU61.5S2	1.5	2	24 (610)	53 (24)
Three	2" (50mm)	50DWXFU6.4	0.4	1/2	19 ¹ / ₈ (485)	35 (16)
		50DWXFU6.75	0.75	1	19 ¹ / ₈ (485)	37 (17)
		50DWXFU61.1	1.1	1 1/2	20 ¹ / ₄ (515)	42 (19)
		50DWXFU61.5	1.5	2	20 ¹ / ₄ (515)	46 (21)
		50DWXFU62.2	2.2	3	21 ⁷ / ₁₆ (545)	57 (26)



EBARA Submersible Stainless Steel Pumps

DWAU, DWXAU – Dominator

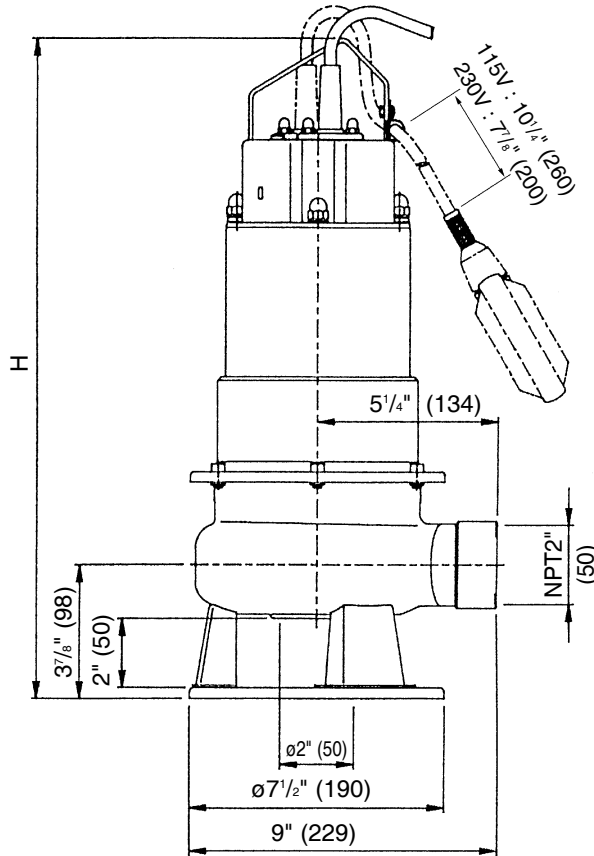
Dimensions

Project: _____ Model: _____ Chk'd: _____ Date: _____

Model DWAU
Model DWXAU
 Automatic Operation Pumps



Unit: inch (mm)



Model DWAU

Phase	Size ø	Model	Output		Pump	Weight Lbs (kg)
			kw	HP	H	
Single	2" (50mm)	50DWAU6.4S	0.4	1/2	21 ⁵ / ₈ (550)	35 (16)
		50DWAU6.75S	0.75	1	22 ¹³ / ₁₆ (580)	40 (18)
		50DWAU6.4S2	0.4	1/2	19 ¹ / ₈ (485)	35 (16)
		50DWAU6.75S2	0.75	1	20 ¹ / ₄ (515)	40 (18)
		50DWAU61.1S2	1.1	1 1/2	20 ¹ / ₄ (515)	44 (20)

Model DWXAU

Phase	Size ø	Model	Output		Pump	Weight Lbs (kg)
			kw	HP	H	
Single	2" (50mm)	50DWXAU6.4S	0.4	1/2	21 ⁵ / ₈ (550)	35 (16)
		50DWXAU6.75S	0.75	1	22 ¹³ / ₁₆ (580)	40 (18)
		50DWXAU6.4S2	0.4	1/2	19 ¹ / ₈ (485)	35 (16)
		50DWXAU6.75S2	0.75	1	20 ¹ / ₄ (515)	40 (18)
		50DWXAU61.1S2	1.1	1 1/2	20 ¹ / ₄ (515)	44 (20)



EBARA Submersible Stainless Steel Pumps

DWFAU, DWXFAU – Dominator

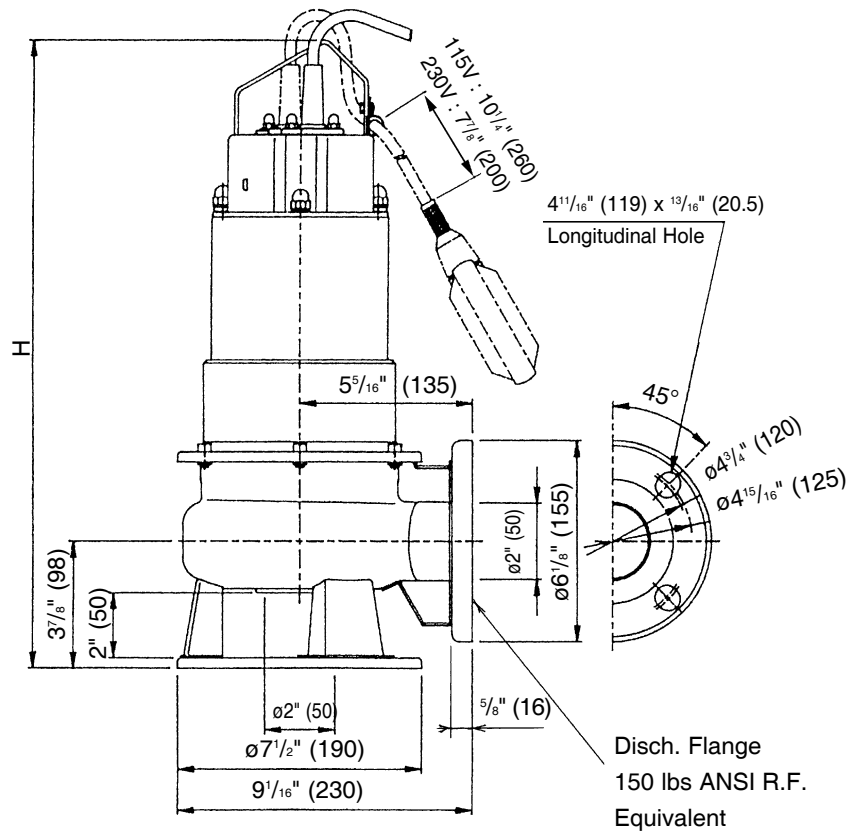
Dimensions

Project: _____ Model: _____ Chk'd: _____ Date: _____

Model DWFAU
Model DWXFAU
 Automatic Operation Pumps



Unit: inch (mm)



Model DWFAU

Phase	Size ø	Model	Output		Pump	Weight Lbs (kg)
			kw	HP	H	
Single	2" (50mm)	50DWFAU6.4S	0.4	1/2	21 5/8 (550)	37 (17)
		50DWFAU6.75S	0.75	1	22 13/16 (580)	42 (19)
		50DWFAU6.4S2	0.4	1/2	19 1/8 (485)	37 (17)
		50DWFAU6.75S2	0.75	1	20 1/4 (515)	42 (19)
		50DWFAU61.1S2	1.1	1 1/2	20 1/4 (515)	46 (21)

Model DWXFAU

Phase	Size ø	Model	Output		Pump	Weight Lbs (kg)
			kw	HP	H	
Single	2" (50mm)	50DWXFAU6.4S	0.4	1/2	21 5/8 (550)	37 (17)
		50DWXFAU6.75S	0.75	1	22 13/16 (580)	42 (19)
		50DWXFAU6.4S2	0.4	1/2	19 1/8 (485)	37 (17)
		50DWXFAU6.75S2	0.75	1	20 1/4 (515)	42 (19)
		50DWXFAU61.1S2	1.1	1 1/2	20 1/4 (515)	46 (21)



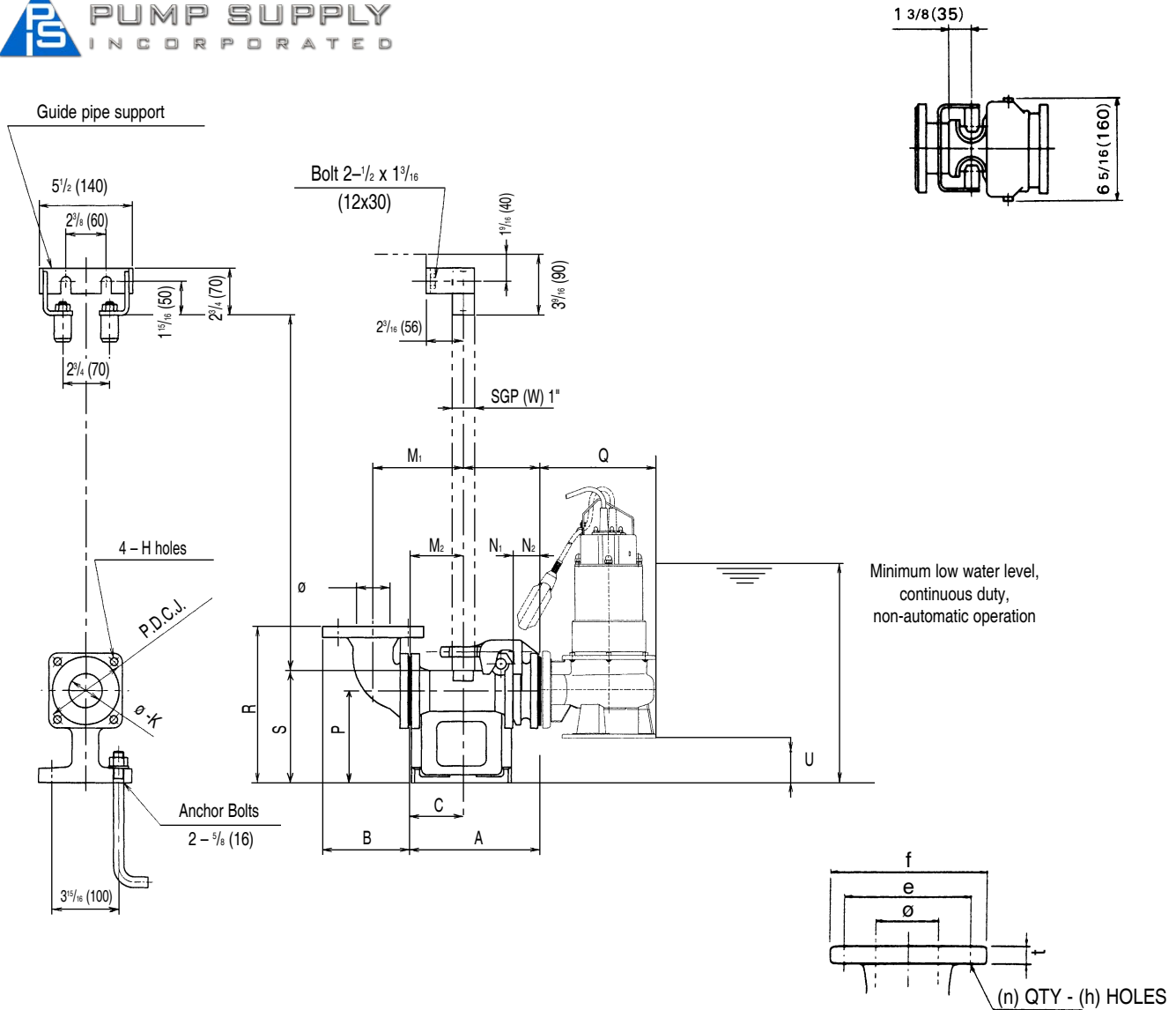
EBARA Submersible Stainless Steel Pumps

DWU, DWXU – Dominator

Dimensions

Project: _____ Model: _____ Chk'd: _____ Date: _____

Model DWFU with Quick Discharge Connector



Flange (ANSI 125 PSI F.F)

inch					
ø	e	f	t	n	h
2	4 ³ / ₄	6	5 ⁵ / ₈	4	3 ³ / ₄
mm					
ø	e	f	t	n	h
50	121	152	16	4	19

Dimensions: inch

MODEL	A	B	C	H	J	K	M ₁	M ₂	N ₁	N ₂	P	Q	R	S	U	QDC WEIGHT Lb
LM50	7 ¹¹ / ₁₆	5 ¹ / ₄	3 ³ / ₈	1 ¹ / ₂	4 ³ / ₄	2	5 ⁵ / ₁₆	3 ³ / ₈	4 ¹ / ₂	1 ⁹ / ₁₆	5 ⁵ / ₁₆	9 ¹ / ₈	9 ¹ / ₁₆	6 ¹ / ₂	2 ⁵ / ₁₆	25

Dimensions: mm

MODEL	A	B	C	H	J	K	M ₁	M ₂	N ₁	N ₂	P	Q	R	S	U	QDC WEIGHT kg
LM50	195	133	80	12	120	2	135	80	115	40	135	230	230	165	55	12



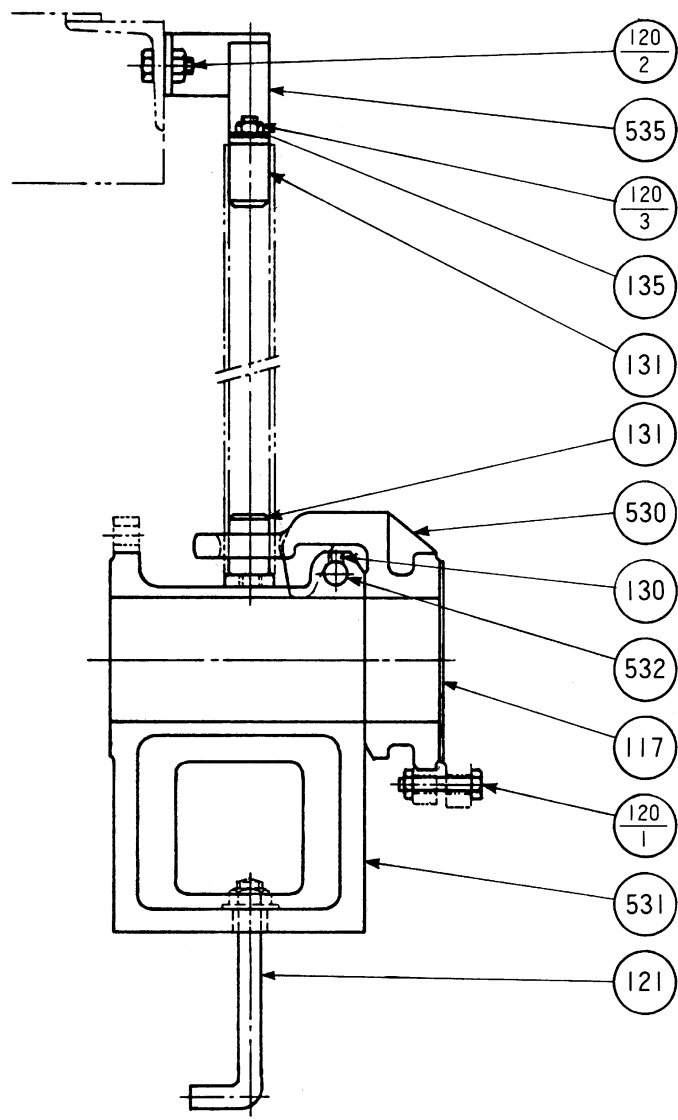
EBARA Submersible Stainless Steel Pumps

DWU, DWXU – Dominator

Dimensions

Project: _____ Model: _____ Chk'd: _____ Date: _____

Models LM50



Part No.	Part Name	Material		ASTM, AISI, CODE		No. for 1 Unit
		Model LM	Model LME	Model LM	Model LME	
117	Gasket					1
120-1	Bolt & Nut	304 Stainless		AISI304		4
120-2	Bolt & Nut	304 Stainless		AISI304		2
120-3	Nut	304 Stainless		AISI304		2
121	Anchor Bolt	Steel		A283 Grade D		2
130	Set Screw	304 Stainless		AISI304		1
131	Guide Pin	Steel	Brass	A283 Grade D	B36 C27200	4
135	Washer	304 Stainless		AISI403		2
530	Connector	Cast Iron	Bronze	A48 Class 30	B584 C83600	1
531	Body	Cast Iron		A48 Class 30		1
532	Support Bar	420 Stainless		AISI420		1
535	Guide Support Plate	Steel		A283 Grade D		1

