

DWO


Model DWO EBARA Stainless Steel Open Impeller Centrifugal Pumps Contents

Item No.	Specifications	Selection Chart	Performance Curve	Pump Dimensions	Sectional View	Motor Data
DWO1506	702	703	704	708	709	713
DWO2006			705			
DWO3006			706			
DWO5506			707			

Illinois Location:
 (847) 841-7867
 860 Church Rd Elgin, IL 60123

Minnesota Location:
 (651) 758-7867
 330 Mill Bay South Suite 1511
 Afton, MN 55001

PumpSupplyInc.com

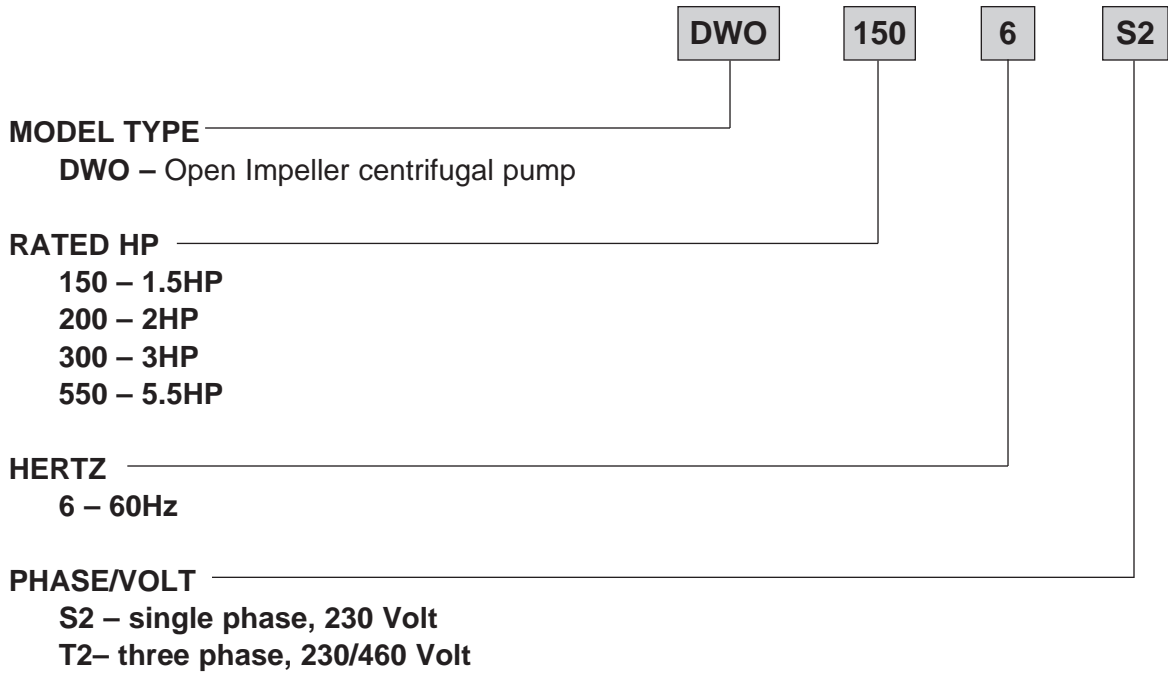




DWO

Model DWO EBARA Stainless Steel Open Impeller Centrifugal Pumps



Model Designation



Illinois Location:
 (847) 841-7867
 860 Church Rd Elgin, IL 60123

Minnesota Location:
 (651) 758-7867
 330 Mill Bay South Suite 1511
 Afton, MN 55001

PumpSupplyInc.com



DWO

Model DWO **EBARA Stainless Steel Open Impeller Centrifugal Pumps**

Specifications

	Standard	Optional
Size Suction Discharge	2- 2½" NPT Female Thread 2" NPT Female Thread Suction and discharge nozzle equipped with external hose barb connection 2" nozzle – 2 ⁷ / ₁₆ " O.D. 2½" nozzle – 3 ¹ / ₈ " O.D.	
Range of HP	1.5 HP to 5.5 HP	
Range of Performance Capacity Head	25 to 290 GPM at 3450 RPM 35 to 65 feet at 3450 RPM	
Liquid handled Type of liquid Solids Temperature Working pressure	Clean water and semi-dirty water ¾" Spherical (2% by concentration) 23 F (-5 C) to 194 F (90 C) Maximum: 116 PSI (8 Bar)	
Materials Casing Impeller (Open) Shaft Bracket Shaft Seal	AISI 304 Stainless Steel AISI 304 Stainless Steel AISI 304 Stainless Steel Aluminum Carbon/Ceramic/NBR	Consult factory for optional seal types
Direction of Rotation	Clockwise when viewed from motor end	
Motor Type Speed HP rating Voltage Single Phase Three Phase Motor Casing Motor Protection Bearing	Insulation Class F TEFC/IP55 60 Hz, 3450 RPM (2 poles) 1.5HP - 5.5HP 230 230/460V Aluminum Built-in overload protection (single phase) User provided (three phase) Ball Bearing	

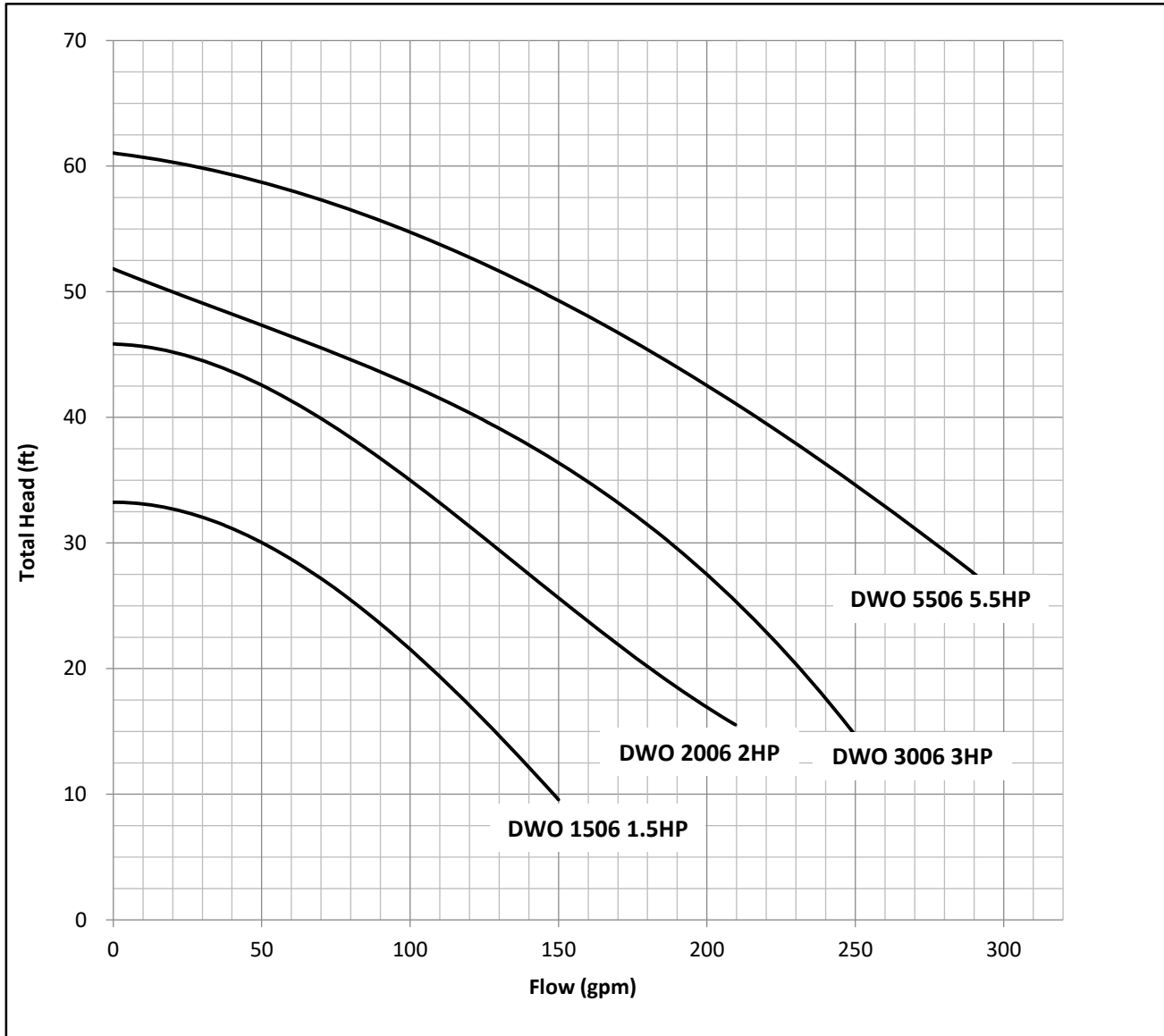


DWO

Model DWO

EBARA Stainless Steel Open Impeller Centrifugal Pumps


Selection Chart



Illinois Location:
 (847) 841-7867
 860 Church Rd Elgin, IL 60123

Minnesota Location:
 (651) 758-7867
 330 Mill Bay South Suite 1511
 Afton, MN 55001

PumpSupplyInc.com



PS **PUMP SUPPLY**
INCORPORATED



DWO

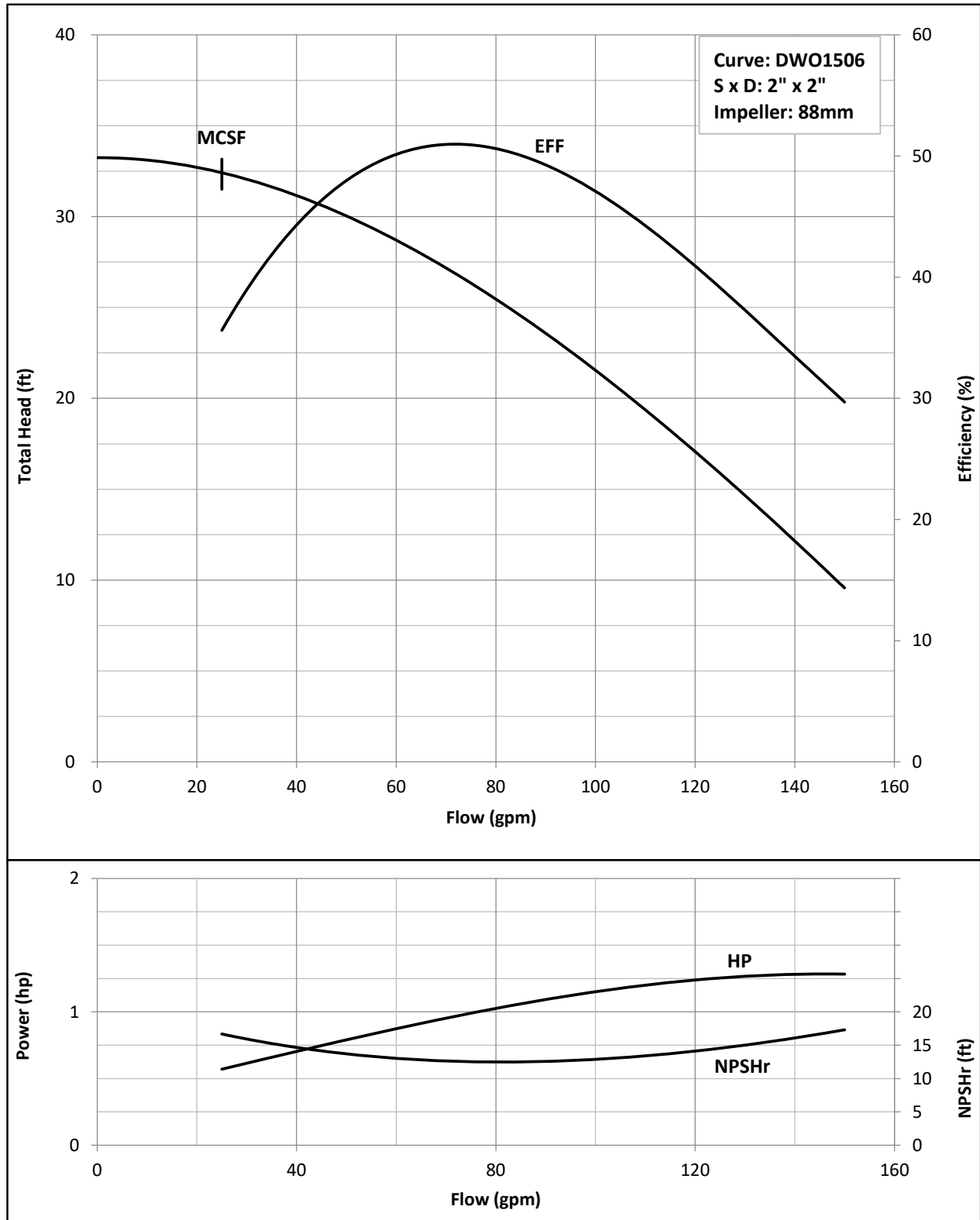
Model DWO

EBARA Stainless Steel Open Impeller Centrifugal Pumps

Performance Curve

DWO 1506 1.5HP

Nominal Speed: 3450 RPM



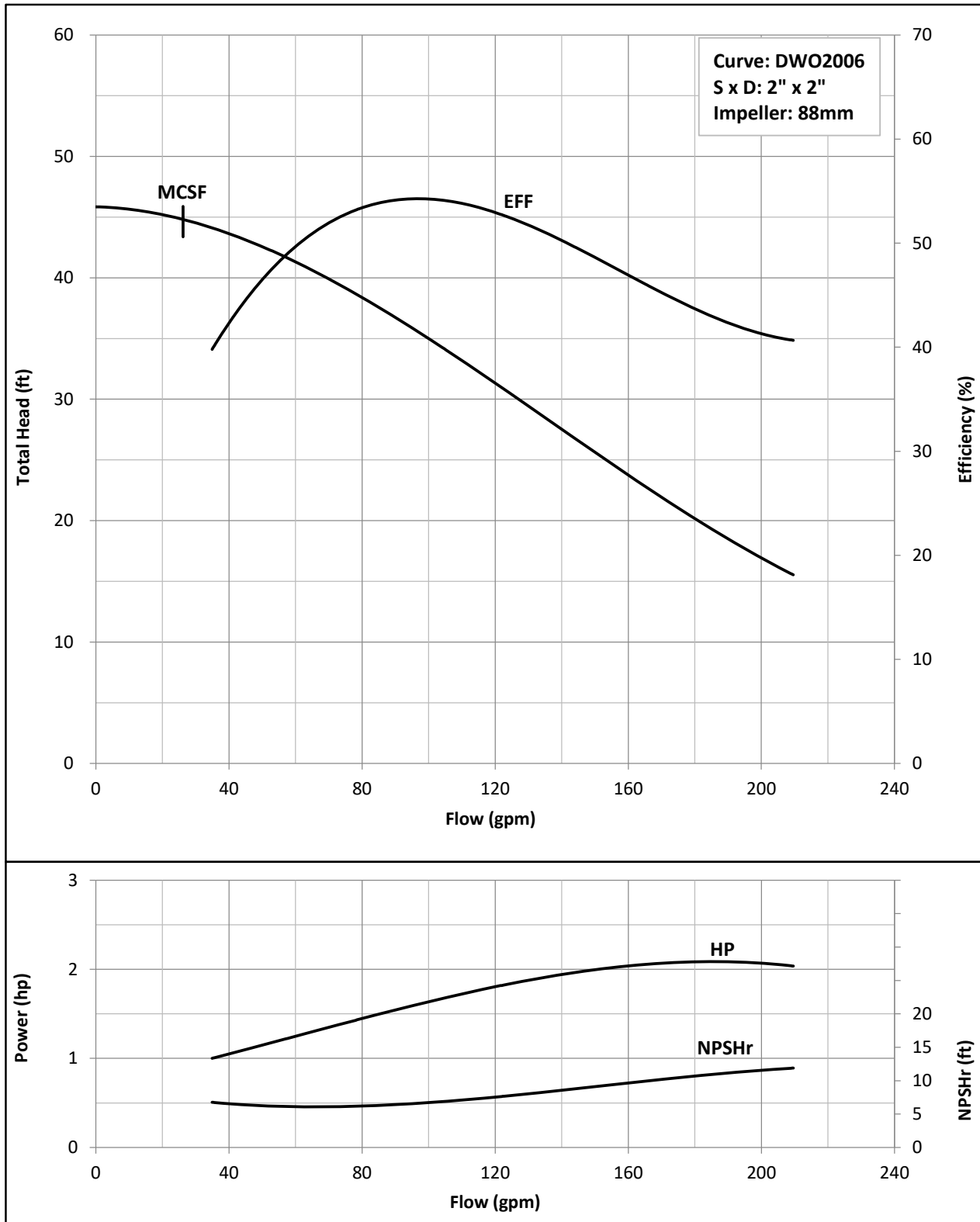
Model DWO

EBARA Stainless Steel Open Impeller Centrifugal Pumps

Performance Curve

DWO 2006 2HP

Nominal Speed: 3450 RPM



DWO

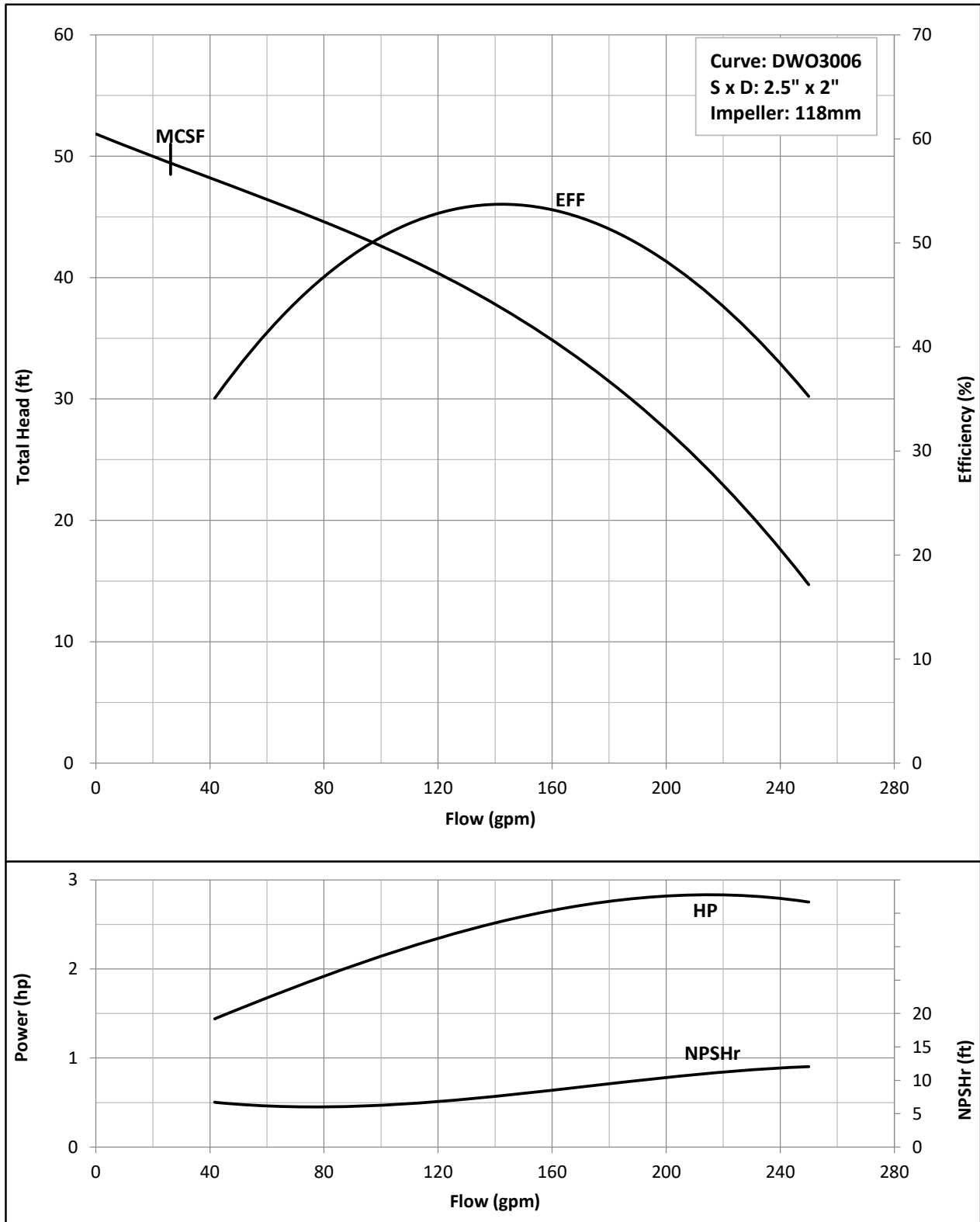
Model DWO

EBARA Stainless Steel Open Impeller Centrifugal Pumps

Performance Curve

DWO 3006 3HP

Nominal Speed: 3450 RPM



DWO

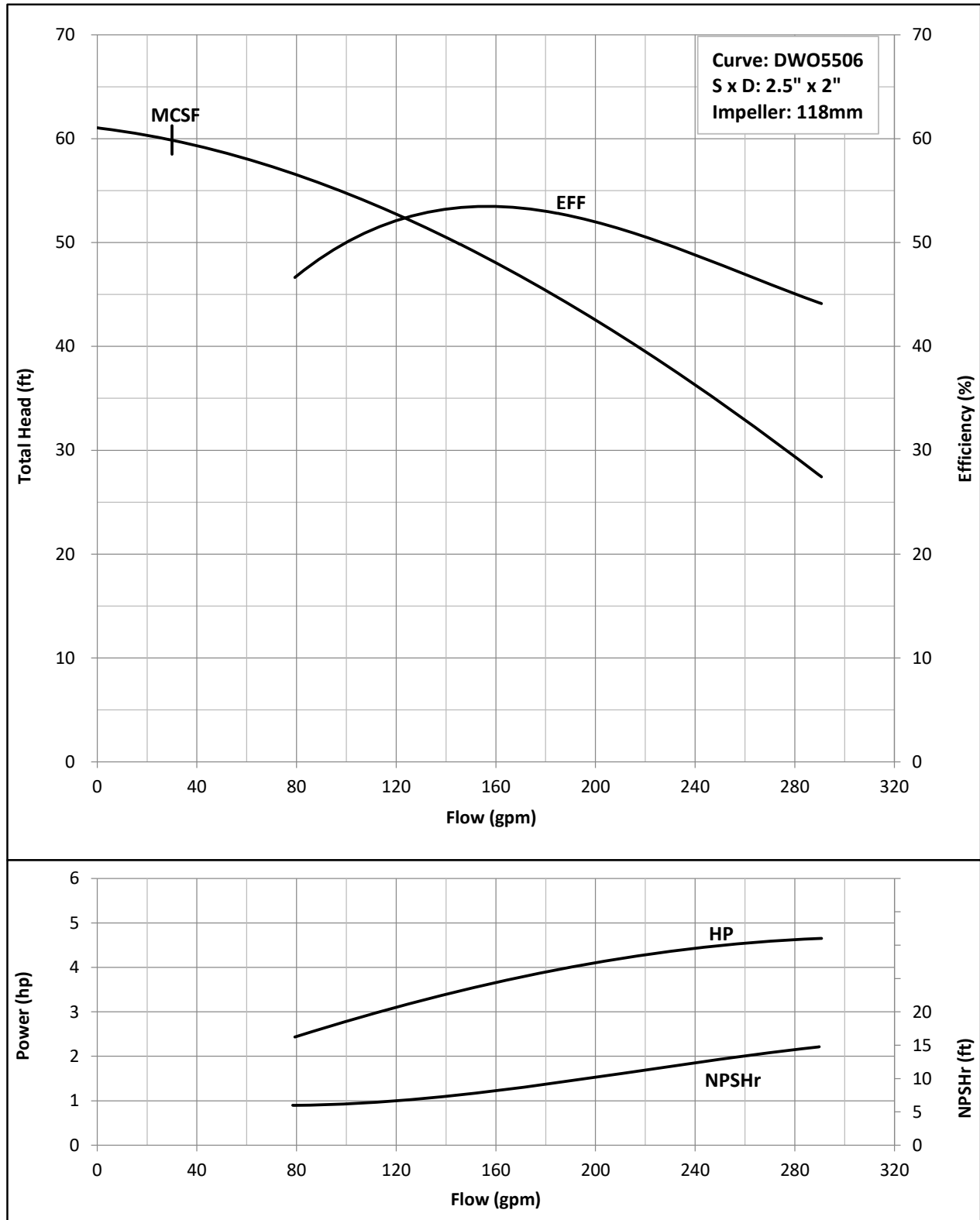
Model DWO

EBARA Stainless Steel Open Impeller Centrifugal Pumps

Performance Curve

DWO 5506 5.5HP

Nominal Speed: 3450 RPM

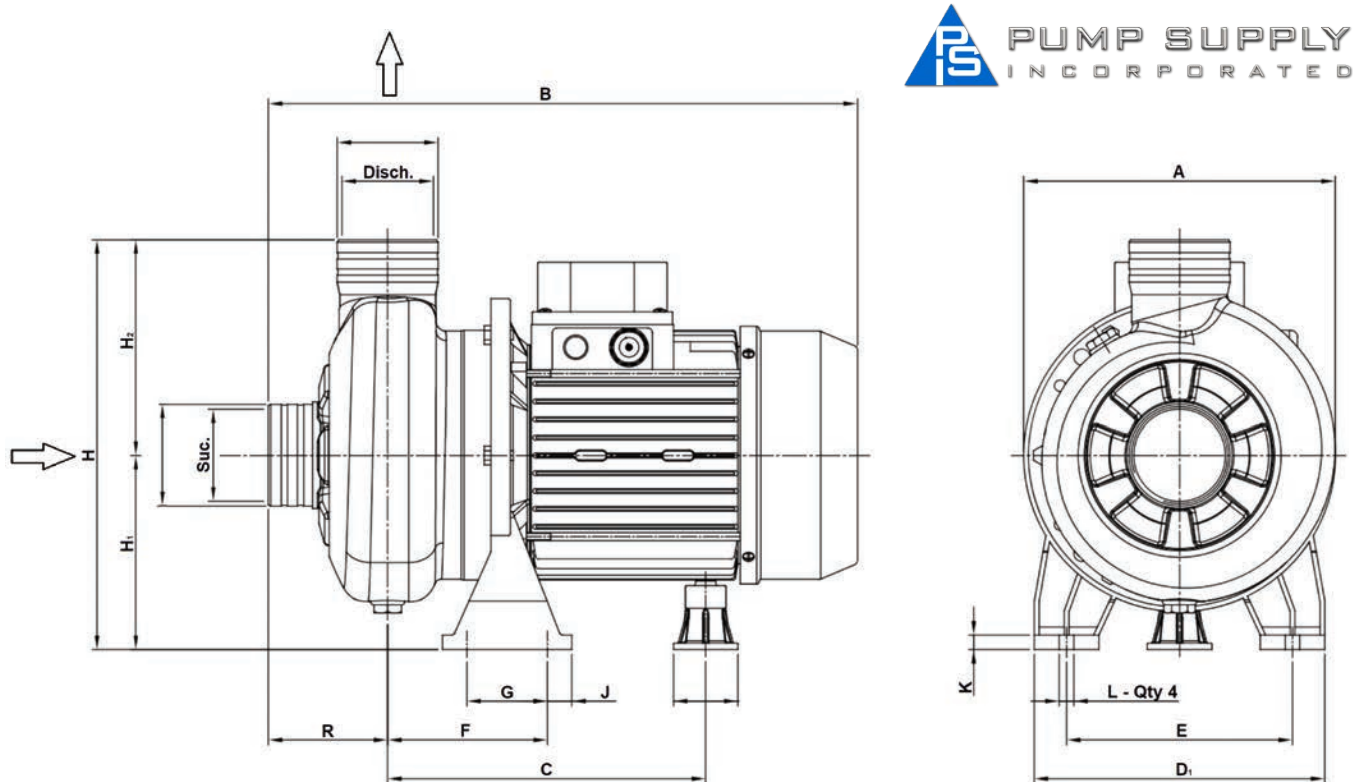


DWO

Model DWO

EBARA Stainless Steel Open Impeller Centrifugal Pumps

Dimensions



Dimensions: inch

MODEL	HP	SIZE		PUMP & MOTOR														Weight Lbs	
		Suc.	Disch.	A	B	C	D ₁	E	F	G	H	H ₁	H ₂	J	K	L	R	1 phase/3 phase	
DWO1506	1.5	2" NPT	2" NPT	7 ⁵ / ₈	14 ³ / ₈	7 ⁷ / ₈	7 ¹ / ₈	5 ¹ / ₂	3 ⁷ / ₈	2	10	4 ³ / ₄	5 ¹ / ₄	5 ⁵ / ₈	3 ³ / ₈	3 ³ / ₈	2 ⁷ / ₈	36/34	
DWO2006	2	2" NPT	2" NPT	7 ⁵ / ₈	14 ³ / ₈	7 ⁷ / ₈	7 ¹ / ₈	5 ¹ / ₂	3 ⁷ / ₈	2	10	4 ³ / ₄	5 ¹ / ₄	5 ⁵ / ₈	3 ³ / ₈	3 ³ / ₈	2 ⁷ / ₈	42/38	
DWO3006	3	2.5" NPT	2" NPT	7 ⁵ / ₈	15 ³ / ₈	8 ¹ / ₂	7 ¹ / ₈	5 ¹ / ₂	3 ⁷ / ₈	2	10	4 ³ / ₄	5 ¹ / ₄	5 ⁵ / ₈	3 ³ / ₈	3 ³ / ₈	3 ¹ / ₈	45	
DWO5506	5.5	2.5" NPT	2" NPT	7 ⁵ / ₈	20	10 ⁵ / ₈	7 ¹ / ₈	5 ¹ / ₂	3 ⁷ / ₈	2	10	4 ³ / ₄	5 ¹ / ₄	5 ⁵ / ₈	3 ³ / ₈	3 ³ / ₈	3 ¹ / ₈	72	

Dimensions: mm

MODEL	HP	SIZE		PUMP & MOTOR														Weight kg	
		Suc.	Disch.	A	B	C	D ₁	E	F	G	H	H ₁	H ₂	J	K	L	R	1 phase/3 phase	
DWO1506	1.5	2" NPT	2" NPT	193	364	198.5	180	140	99	50	253	120	133	15	9	9	74	13.6/12.6	
DWO2006	2	2" NPT	2" NPT	193	364	198.5	180	140	99	50	253	120	133	15	9	9	74	15.7/14.4	
DWO3006	3	2.5" NPT	2" NPT	193	390	215.5	180	140	99	50	253	120	133	15	9	9	78	16.9	
DWO5506	5.5	2.5" NPT	2" NPT	193	508	268.5	180	140	99	50	253	120	133	15	9	9	78	33	

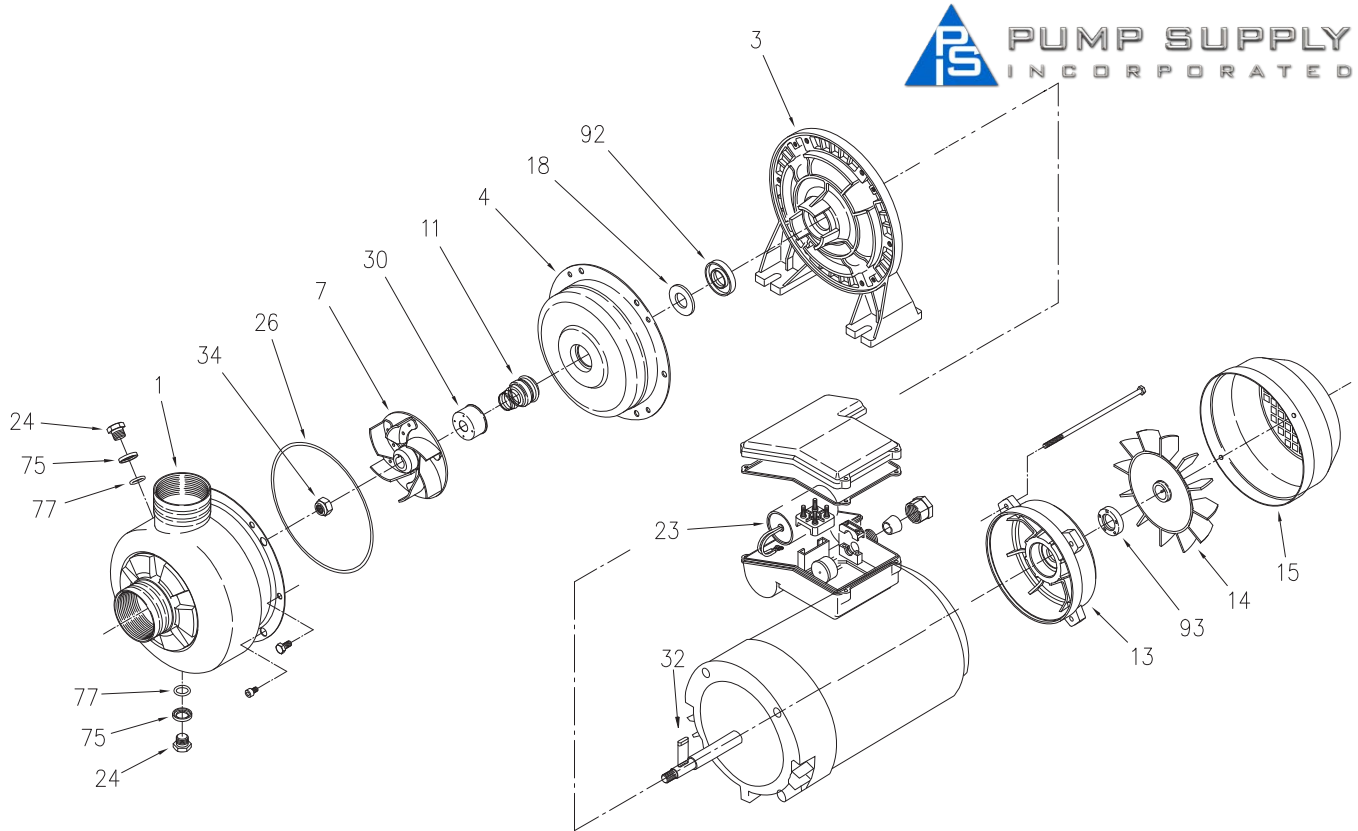


DWO

Model DWO

EBARA Stainless Steel Open Impeller Centrifugal Pumps

Exploded view



Location No.	Part Name	Material	No. for 1 Unit
1	Casing	304 Stainless Steel	1
3	Motor bracket	Aluminum	1
4	Casing cover	304 Stainless Steel	1
7	Impeller	304 Stainless Steel	1
11	Mechanical seal	Carbon/Ceramic/NBR	1
14	Fan	Polypropolene	1
15	Fan cover	Steel	1
18	Splash Ring	-	1
23	Capacitor	Single phase only	1
24	Priming plug/Drain plug	303 Stainless Steel	2
26	O-ring	NBR	2
30	Mechanical Seal Protector	304 Stainless Steel	1
32	Key	304 Stainless Steel	1
34	Impeller nut	304 Stainless Steel	1
75	Washer	304 Stainless Steel	2
77	O-ring	NBR	2
92	Lip seal (Pump side)	-	1
93	Lip seal (Fan side)	-	1

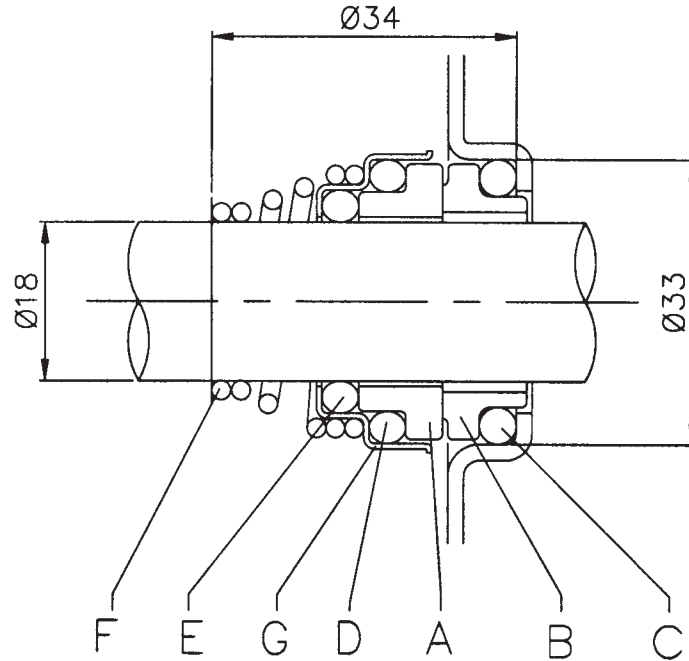


DWO

Model DWO

EBARA Stainless Steel Open Impeller Centrifugal Pumps

Mechanical Seal



REF.	PART NAME	MATERIAL
A	Rotary Seal Ring	Ceramic
B	Stationary Seal Ring	Carbon graphite
C	O-ring	NBR
D	O-ring	NBR
E	O-ring	NBR
F	Self driving spring	AISI 316
G	Frame	AISI 304



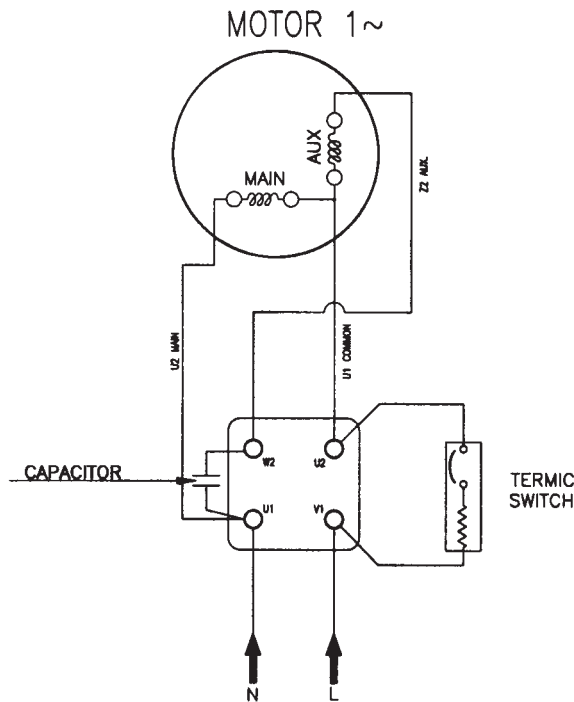
DWO

Model DWO

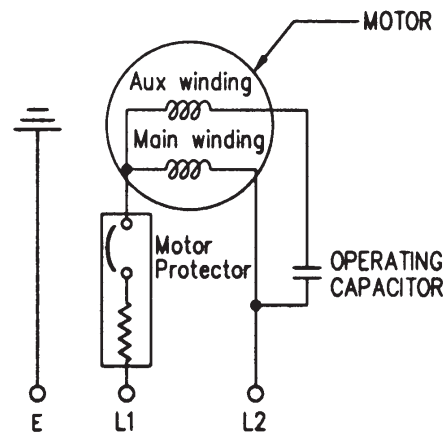
EBARA Stainless Steel Open Impeller Centrifugal Pumps

Wiring Diagram

Single Phase



230 V EXTERNAL MOTOR PROTECTOR



DWO

Model DWO

EBARA Stainless Steel Open Impeller Centrifugal Pumps

Wiring Diagram

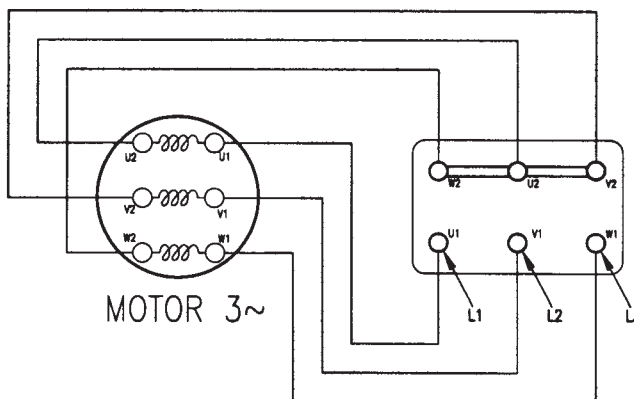
Three Phase

1.5HP, 2HP, and 5.5HP motors:



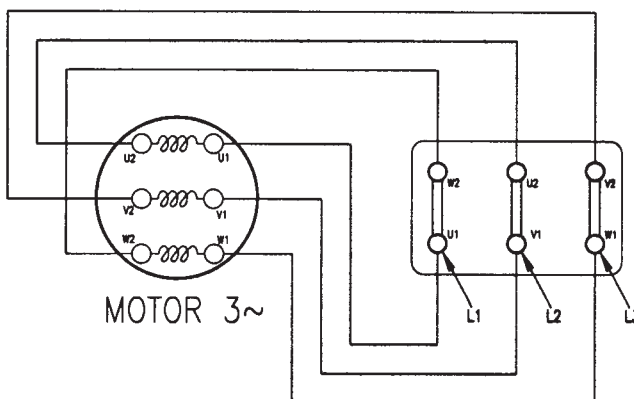
460V

STAR CONNECTION



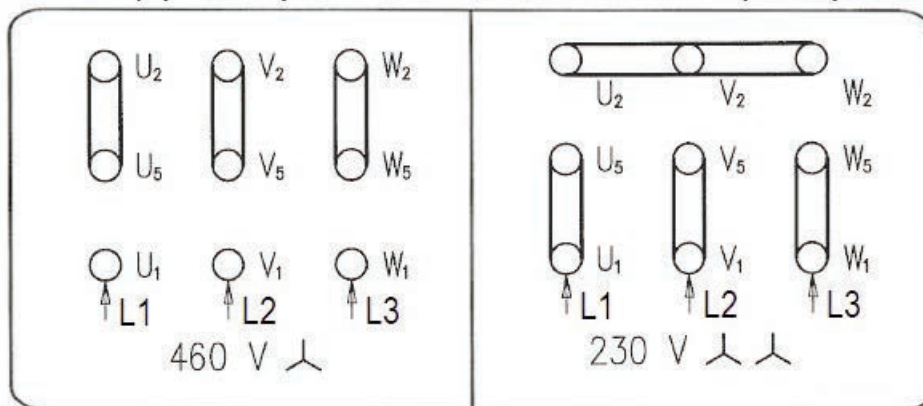
230V

DELTA CONNECTION



3HP motor only:

3hp(2.2kW) ONLY - Star-Double Star (Y-YY)



DWO

Model DWO EBARA Stainless Steel Open Impeller Centrifugal Pumps

Electrical Data



Hz	Poles	Phase	Output (HP)	Voltage (V)	Applicable Model
60	2	Single	1.5 to 2	230	DWO

Name-Plate Rating	MOTOR MODEL		1506	2006		
	Output	HP	1.5	2		
		kW	1.1	1.5		
	Phase		1	1		
	Poles		2	2		
	Volts		230	230		
	Amperes		7.2	9.8		
	Speed		3450	3450		
Insulation Class		F	F			
Number Starts Per Hour		20	20			
Voltage Tolerance		%	±6%			

Illinois Location:
 (847) 841-7867
 860 Church Rd Elgin, IL 60123

Minnesota Location:
 (651) 758-7867
 330 Mill Bay South Suite 1511
 Afton, MN 55001

PumpSupplyInc.com



DWO

Model DWO EBARA Stainless Steel Open Impeller Centrifugal Pumps

Electrical Data


Hz	Poles	Phase	Output (HP)	Voltage (V)	Applicable Model
60	2	Three	1.5 to 5.5	230	DWO

Name-Plate Rating	MOTOR MODEL		1506	2006	3006	5506	
	Output	HP	1.5	2	3	5.5	
		kW	1.1	1.5	2.2	4	
	Phase		3	3	3	3	
	Poles		2	2	2	2	
	Volts		230	230	230	230	
	Amperes		3.9	5.4	8.0	13.5	
	Speed		3450	3450	3450	3450	
	Insulation Class		F	F	F	F	
Number Starts Per Hour		20	20	20	20		
Voltage Tolerance		%	±6%				

Illinois Location:
 (847) 841-7867
 860 Church Rd Elgin, IL 60123

Minnesota Location:
 (651) 758-7867
 330 Mill Bay South Suite 1511
 Afton, MN 55001

PumpSupplyInc.com





DWO

Model DWO EBARA Stainless Steel Open Impeller Centrifugal Pumps

Electrical Data


Hz	Poles	Phase	Output (HP)	Voltage (V)	Applicable Model
60	2	Three	1.5 to 5.5	460	DWO

Name-Plate Rating	MOTOR MODEL		1506	2006	3006	5506	
	Output	HP	1.5	2	3	5.5	
		kW	1.1	1.5	2.2	4	
	Phase		3	3	3	3	
	Poles		2	2	2	2	
	Volts		460	460	460	460	
	Amperes		2.4	3.2	3.9	7.8	
	Speed		3450	3450	3450	3450	
Insulation Class		F	F	F	F		
Number Starts Per Hour			20	20	20	20	
Voltage Tolerance %			±6%				

Illinois Location:
 (847) 841-7867
 860 Church Rd Elgin, IL 60123

Minnesota Location:
 (651) 758-7867
 330 Mill Bay South Suite 1511
 Afton, MN 55001

PumpSupplyInc.com



PUMP SUPPLY
INCORPORATED

