

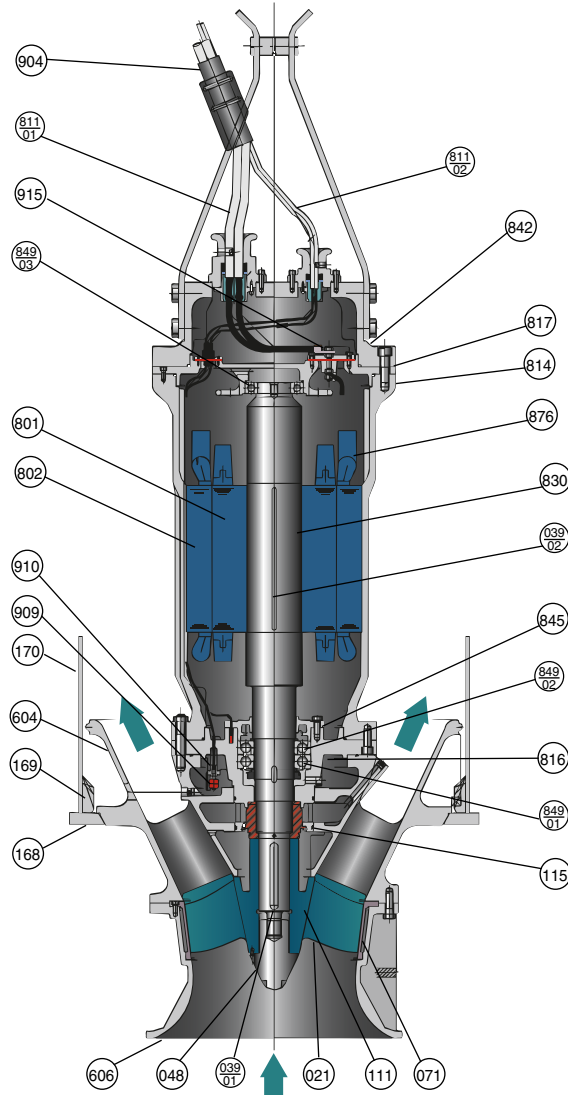
Sectional View

Project:

Model:

Chk'd:

Date:



No.	Qty	Part Name	Material	ATM/AISI Code	No.	Qty	Part Name	Material	ATM/AISI Code
915	1	Terminal Board			811-01	1	Power Cable		
910	1	Leakage Detector Support	Cast Iron	ASTM A48 CL. 30	802	1	Stator	Copper	
909	1	Leakage Detector			801	1	Rotor	Aluminum	
904	1	Lifting Hanger	Steel	ASTM A283 GR.D	606	1	Suction Bell	Cast Iron	ASTM A48 CL. 35
876	1	Thermal Protector			604	1	Discharge Bowl	Cast Iron	ASTM A48 CL. 35
849-03	1	Ball Bearing	Steel		170	1	Column Pipe	Steel	ASTM A283 GR. D
849-02	1	Ball Bearing	Steel		169	1	Rotation Stopper	Steel	ASTM A283 GR. D
849-01	1	Ball Bearing	Steel		168	1	Sole Plate	Steel	ASTM A283 GR. D
845	1	Bearing Cover	Cast Iron	ASTM A48 CL. 30	115	1	O Ring	NBR	
842	1	Motor Cover	Cast Iron	ASTM A48 CL. 35	111	1	Mechanical Seal	See Detail	
830	1	Shaft	Stainless	AISI 403	071	1	Casing Liner	Stainless	ASTM A743-CF8
817	1	Opposite Side Bracket	Cast Iron	ASTM A48 CL. 35	048	1	Impeller Nut	Stainless	AISI 403
816	1	Power Side Bracket	Cast Iron	ASTM A48 CL. 35	039-02	1	Key	Steel	AISI 1050
814	1	Motor Frame	Cast Iron	ASTM A48 CL. 35	039-01	1	Key	Stainless	AISI 420
811-02	1	Control Cable			021	1	Impeller	Ductile Iron	ASTM A536-60-40

Optional Materials

021	1	Impeller	Stainless	ASTM A743 CF8
021	1	Impeller	Bronze	ASTM B584 C90300



EBARA Submersible Propeller Pumps

Accessories

Project: _____ Model: _____ Chk'd: _____ Date: _____

Sole Plate – (Standard Supply)

Ebara DSZ3 pump is installed on the sole plate with a rotation stopper.
 The sole plate is designed and manufactured by Ebara and is to be welded to the column pipe in accordance with the welding procedure prepared by Ebara.

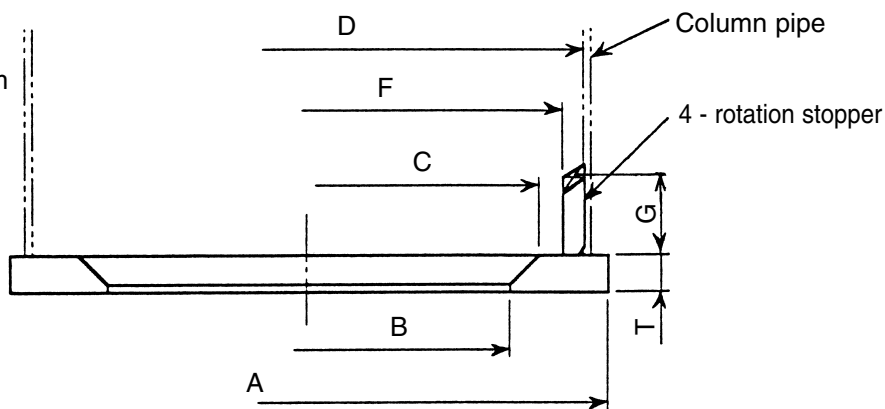
Material: Rolled Steel, ASTM A283 Gr.D

Note:

Concentricity of D to B or C shall be as follows:

Max. concentricity

- 2.0mm for D=450–800mm
- 3.0mm for D=900–1350mm
- 4.0mm for D=1400–2000mm



UNIT : INCH (mm)

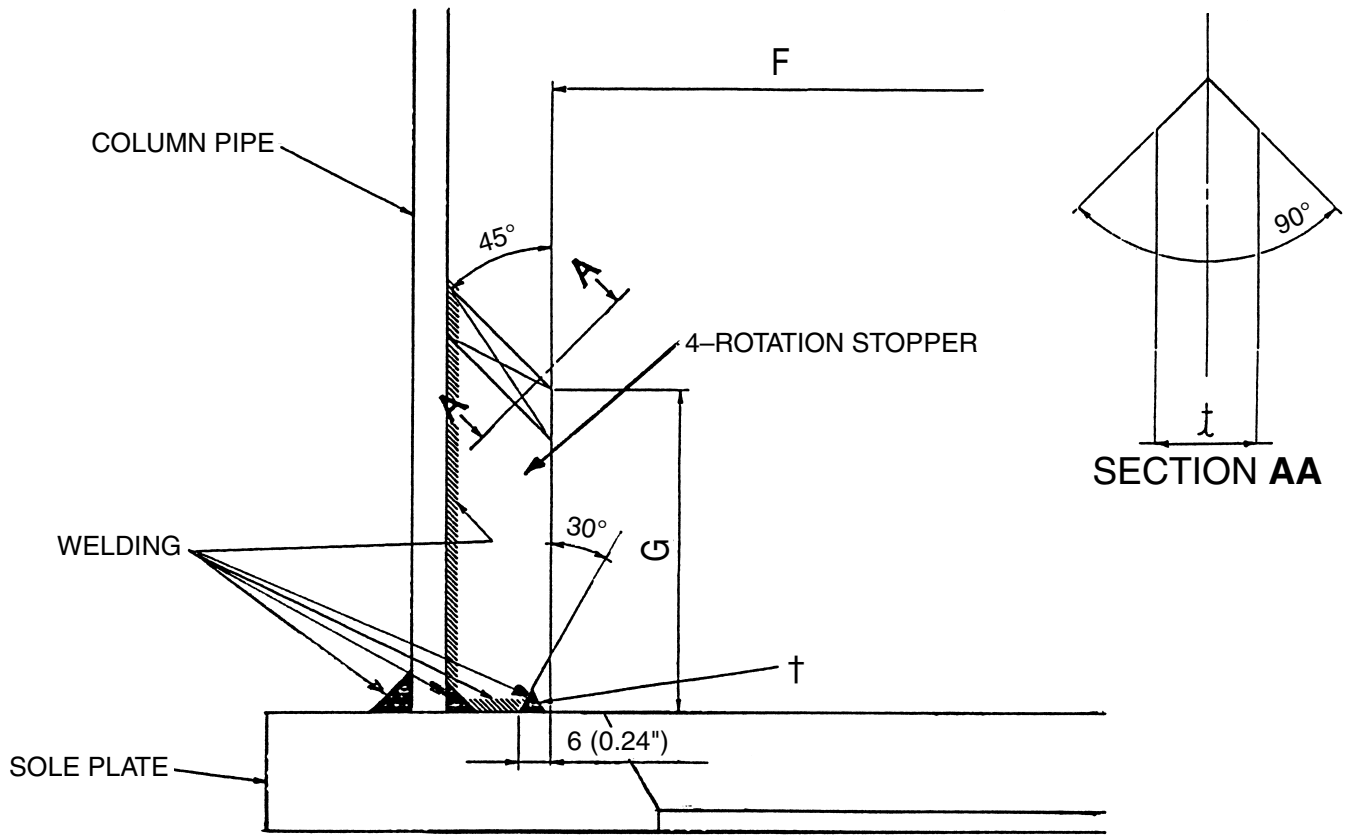
Pipe Dia.	Min. Inside Dia. D	A	B	C	F	G	T	Lbs (kgf)
18 (450)	17 ⁵ / ₁₆ (440)	20 ¹ / ₁₆ (510)	14 ⁵ / ₁₆ (364)	15 ³ / ₁₆ (385)	15 ¹⁵ / ₁₆ (405)	2 ³ / ₁₆ (55)	7/8 (22)	37 (17)
20 (500)	19 ⁵ / ₁₆ (490)	22 ¹ / ₁₆ (560)	16 ⁵ / ₁₆ (414)	17 ⁷ / ₈ (435)	17 ¹⁵ / ₁₆ (455)	2 ³ / ₁₆ (55)	7/8 (22)	42 (19)
24 (600)	23 ¹ / ₄ (590)	26 (660)	20 ¹ / ₄ (514)	21 ¹ / ₁₆ (535)	21 ⁷ / ₈ (555)	2 ³ / ₈ (60)	7/8 (22)	51 (23)
28 (700)	27 ³ / ₁₆ (690)	29 ¹⁵ / ₁₆ (760)	23 ¹ / ₂ (597)	24 ⁵ / ₈ (625)	25 ⁷ / ₁₆ (646)	2 ³ / ₈ (60)	1 ¹ / ₈ (28)	84 (38)
30 (750)	29 ¹ / ₈ (740)	31 ⁷ / ₈ (810)	25 ¹ / ₂ (647)	26 ⁹ / ₁₆ (675)	27 ¹ / ₂ (698)	2 ⁹ / ₁₆ (65)	1 ¹ / ₈ (28)	90 (41)
32 (800)	31 ¹ / ₈ (790)	33 ⁷ / ₈ (860)	27 ¹ / ₁₆ (687)	28 ¹ / ₈ (715)	29 ¹ / ₁₆ (738)	2 ⁹ / ₁₆ (65)	1 ¹ / ₈ (28)	101 (46)
36 (900)	35 ¹ / ₁₆ (890)	37 ¹³ / ₁₆ (960)	31 (787)	32 ¹ / ₁₆ (815)	33 ¹ / ₁₆ (840)	2 ³ / ₄ (70)	1 ¹ / ₈ (28)	115 (52)
40 (1000)	39 (990)	42 ¹ / ₈ (1070)	34 ⁹ / ₁₆ (878)	35 ¹³ / ₁₆ (910)	36 ¹³ / ₁₆ (935)	2 ³ / ₄ (70)	1 ¹ / ₄ (32)	163 (74)
42 (1050)	40 ¹⁵ / ₁₆ (1040)	44 ¹ / ₈ (1120)	36 ⁹ / ₁₆ (928)	37 ¹³ / ₁₆ (960)	38 ³ / ₄ (985)	2 ³ / ₄ (70)	1 ¹ / ₄ (32)	172 (78)
48 (1200)	46 ⁷ / ₈ (1190)	50 (1270)	42 ¹ / ₁₆ (1068)	43 ⁵ / ₁₆ (1100)	44 ¹ / ₂ (1130)	3 ¹ / ₈ (80)	1 ¹ / ₄ (32)	207 (94)
54 (1350)	52 ³ / ₄ (1340)	56 ⁵ / ₁₆ (1430)	47 ⁷ / ₈ (1203)	48 ⁵ / ₈ (1235)	50 ³ / ₁₆ (1275)	3 ¹ / ₈ (80)	1 ¹ / ₄ (32)	262 (119)
56 (1400)	54 ³ / ₄ (1390)	58 ¹ / ₄ (1480)	49 ⁹ / ₁₆ (1253)	50 ⁹ / ₁₆ (1285)	52 ³ / ₁₆ (1325)	3 ¹ / ₈ (80)	1 ¹ / ₄ (32)	271 (123)
60 (1500)	58 ¹¹ / ₁₆ (1490)	62 ³ / ₁₆ (1580)	53 ¹ / ₄ (1353)	54 ¹ / ₂ (1385)	56 ¹ / ₈ (1425)	3 ¹ / ₈ (80)	1 ¹ / ₄ (32)	291 (132)
64 (1600)	62 ⁵ / ₈ (1590)	65 ³ / ₄ (1670)	57 ¹ / ₁₆ (1449)	58 ⁷ / ₁₆ (1485)	60 ¹ / ₁₆ (1525)	3 ¹ / ₈ (80)	1 ⁷ / ₁₆ (36)	373 (169)
72 (1800)	70 ¹ / ₂ (1790)	74 ⁷ / ₁₆ (1890)	64 ¹⁵ / ₁₆ (1649)	66 ⁵ / ₁₆ (1685)	67 ¹⁵ / ₁₆ (1725)	3 ¹ / ₈ (80)	1 ⁷ / ₁₆ (36)	419 (190)
80 (2000)	78 ³ / ₈ (1990)	82 ⁵ / ₈ (2100)	72 ⁵ / ₈ (1844)	74 (1880)	75 ⁹ / ₁₆ (1920)	3 ¹ / ₈ (80)	1 ⁷ / ₁₆ (36)	496 (225)

EBARA Submersible Propeller Pumps

Accessories

Project: _____ Model: _____ Chk'd: _____ Date: _____

Sole Plate Welding Procedures



†: The welding bead is not to be projected from the inner surface of the rotation stopper.

Illinois Location:
(847) 841-7867
860 Church Rd Elgin, IL 60123

Minnesota Location:
(651) 758-7867
330 Mill Bay South Suite 1511
Afton, MN 55001

PumpSupplyInc.com

