

Submersible Wastewater Pump with Anti-Clog Technology





Model DKEU
Model DKEXU

Dimensions

Illinois Location:
(847) 841-7867
860 Church Rd Elgin, IL 60120

Minnesota Location:
(651) 758-7867
330 Mill Bay South Suite :
Afton, MN 55001

PumpSupplyInc.com

PUMP SUPPLY
INCORPORATED



EBARA

EBARA Pumps Americas Corporation

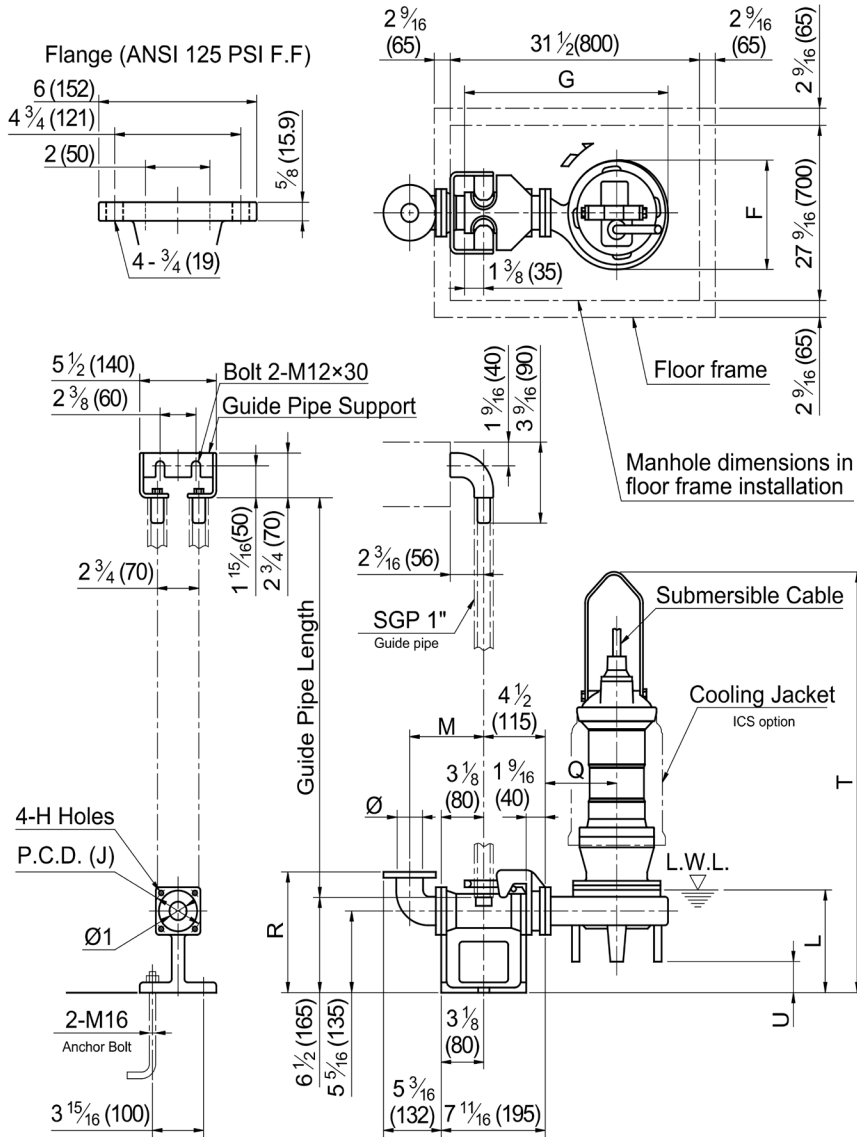
EBARA Submersible Sewage Pumps

DKEU/DKEXU

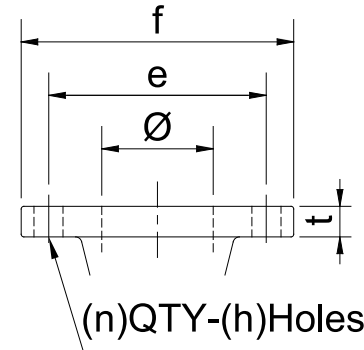
Dimensions



50DKE(X)U, 2HP (with QDC)



Piping connection



■ DIMENSION: (Inch)

Ø	e	f	t	n	h	M	R
1 1/4	3 1/8	4 1/8	1/2	2	1/2	5 5/16	8 1/4
2	4 3/4	6	5/8	4	3/4	5 5/16	9 1/16

■ DIMENSION: (mm)

Ø	e	f	t	n	h	M	R
32	80	105	12	2	12	135	210
50	121	152	15.9	4	19	135	230

■ DIMENSION: (Inch)

PHASE	MODEL	OUTPUT		QDC MODEL	PUMP&MOTOR						WEIGHT		
		kW	HP		F	G	L	Q	T	U	PUMP		
											Std.	ICS Opt.	QDC
THREE	50DKE(X)U461.5	1.5	2	LM(E)50A	10 1/2	18 3/8	7 3/16	7 1/16	40 11/16	1 15/16	201	283	27

■ WEIGHT: (lbs)

■ DIMENSION: (mm)

PHASE	MODEL	OUTPUT		QDC MODEL	PUMP&MOTOR						WEIGHT		
		kW	HP		F	G	L	Q	T	U	PUMP		
											Std.	ICS Opt.	QDC
THREE	50DKE(X)U461.5	1.5	2	LM(E)50A	267	467	183	180	1034	49	91	128	12

■ WEIGHT: (kg)



PUMP SUPPLY
INCORPORATED

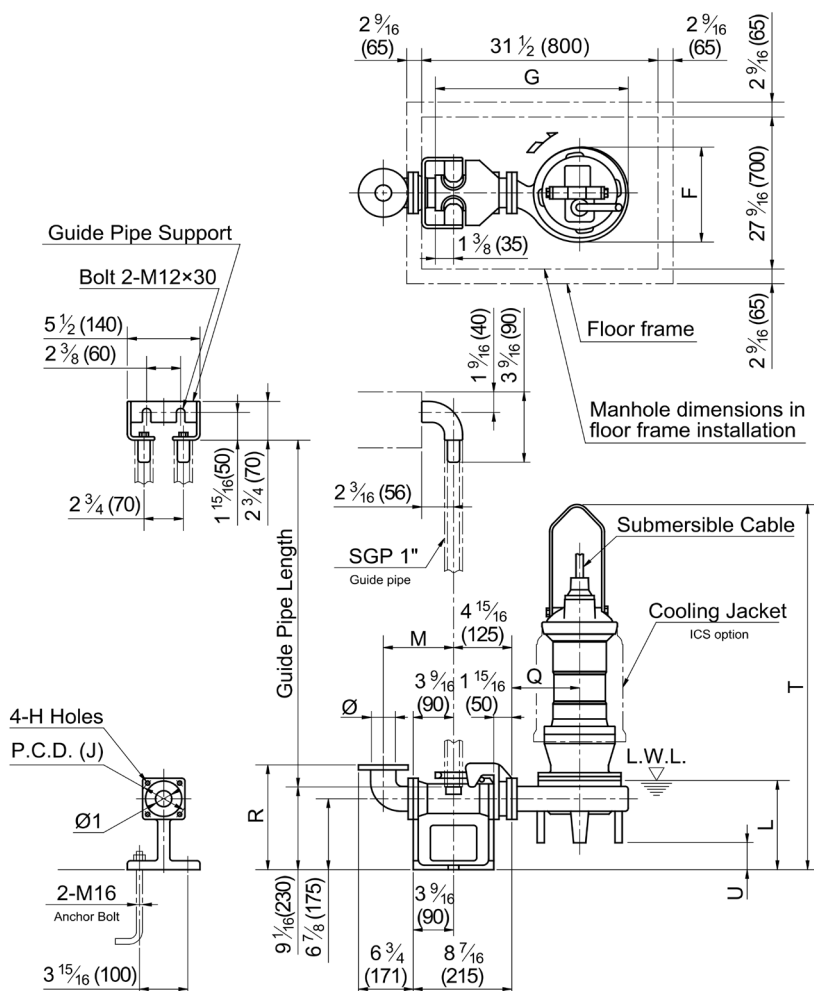


EBARA Submersible Sewage Pumps

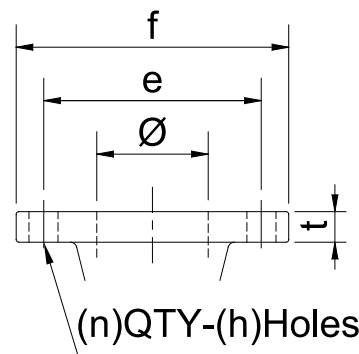
DKEU/DKEXU

Dimensions

80DKE(X)U, 2 to 5HP (with QDC)



Piping connection



■ DIMENSION: (Inch)

Ø	e	f	t	n	h	M	R
3	6	7 1/2	3/4	4	3/4	6 1/2	11 1/4
4	7 1/2	9	15/16	8	3/4	7 11/16	11 13/16

■ DIMENSION: (mm)

Ø	e	f	t	n	h	M	R
80	152	191	19	4	19	165	285
100	191	229	23.8	8	19	195	300

■ DIMENSION: (Inch)

■ WEIGHT: (lbs)

PHASE	MODEL	OUTPUT		QDC MODEL	PUMP&MOTOR						WEIGHT		
		kW	HP		F	G	L	Q	T	U	PUMP		QDC
											Std.	ICS Opt.	
THREE	80DKE(X)U461.5	1.5	2	LM(E)80A	10 1/8	19 3/8	8 15/16	8	42 1/4	2 11/16	199	283	42
	80DKE(X)U462.2	2.2	3	LM(E)80A	11 5/8	20 13/16	9 1/8	8 11/16	46 3/16	2 11/16	236	331	42
	80DKE(X)U463.7	3.7	5	LM(E)80A	11 7/16	21	9	8 15/16	46 3/8	2 11/16	254	353	42

■ DIMENSION: (mm)

■ WEIGHT: (kg)

PHASE	MODEL	OUTPUT		QDC MODEL	PUMP&MOTOR						WEIGHT		
		kW	HP		F	G	L	Q	T	U	PUMP		QDC
											Std.	ICS Opt.	
THREE	80DKE(X)U461.5	1.5	2	LM(E)80A	258	492	227	203	1073	69	90	128	19
	80DKE(X)U462.2	2.2	3	LM(E)80A	295	528	231	220	1173	69	107	150	19
	80DKE(X)U463.7	3.7	5	LM(E)80A	290	533	229	228	1179	69	115	160	19

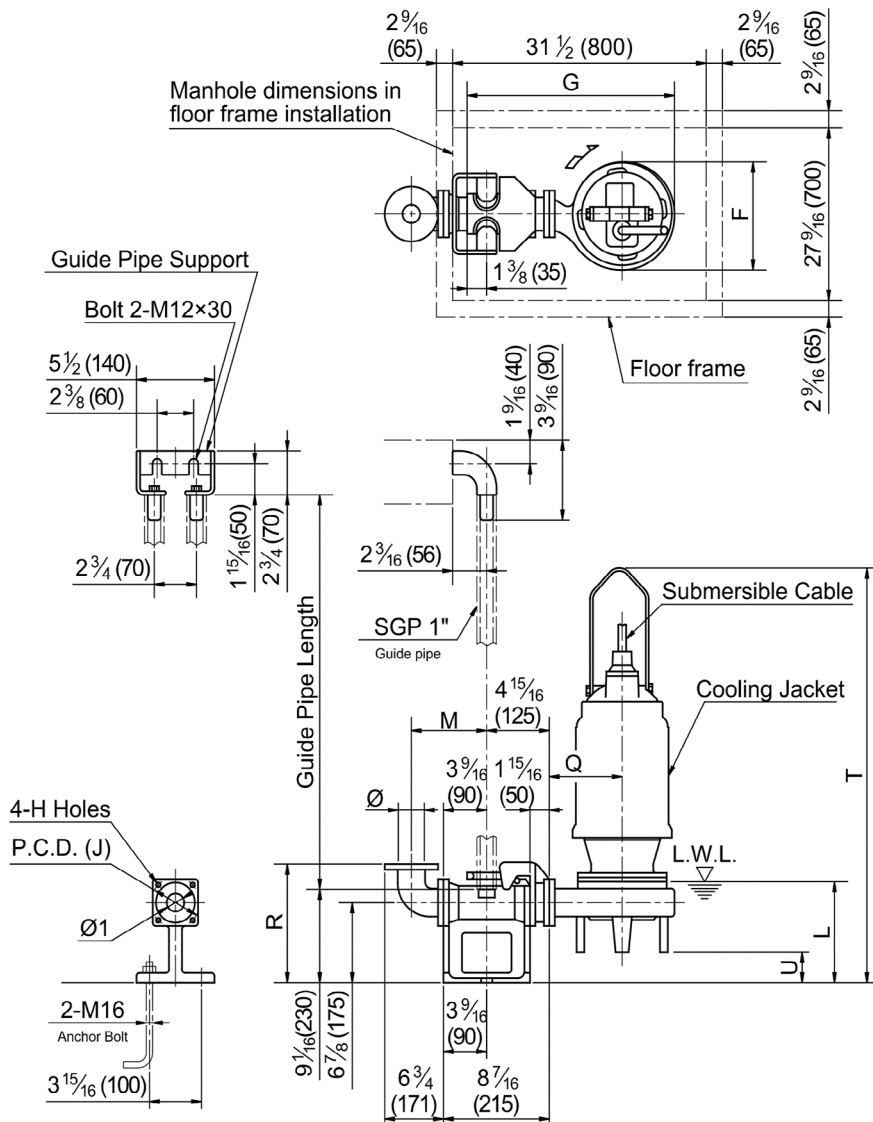


EBARA Submersible Sewage Pumps

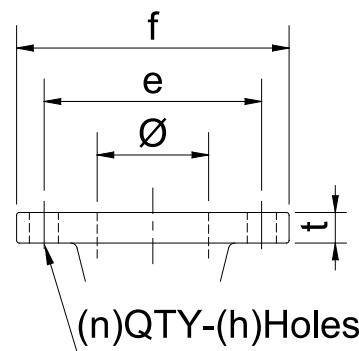
DKEU/DKEXU

Dimensions

80DKE(X)U, 7.5HP (with QDC)



Piping connection



■ DIMENSION: (Inch)

Ø	e	f	t	n	h	M	R
3	6	7 1/2	3/4	4	3/4	6 1/2	11 1/4
4	7 1/2	9	15/16	8	3/4	7 11/16	11 13/16

■ DIMENSION: (mm)

Ø	e	f	t	n	h	M	R
80	152	191	19	4	19	165	285
100	191	229	23.8	8	19	195	300

■ DIMENSION: (Inch)

■ WEIGHT: (lbs)

PHASE	MODEL	OUTPUT		QDC MODEL	PUMP&MOTOR						WEIGHT	
		kW	HP		F	G	L	Q	T	U	PUMP	QDC
THREE	80DKE(X)U465.5	5.5	7.5	LM(E)80A	12 1/16	21 15/16	9 1/4	9 1/2	53 5/16	2 11/16	527	42

■ DIMENSION: (mm)

■ WEIGHT: (kg)

PHASE	MODEL	OUTPUT		QDC MODEL	PUMP&MOTOR						WEIGHT	
		kW	HP		F	G	L	Q	T	U	PUMP	QDC
THREE	80DKE(X)U465.5	5.5	7.5	LM(E)80A	307	557	236	242	1354	69	239	19

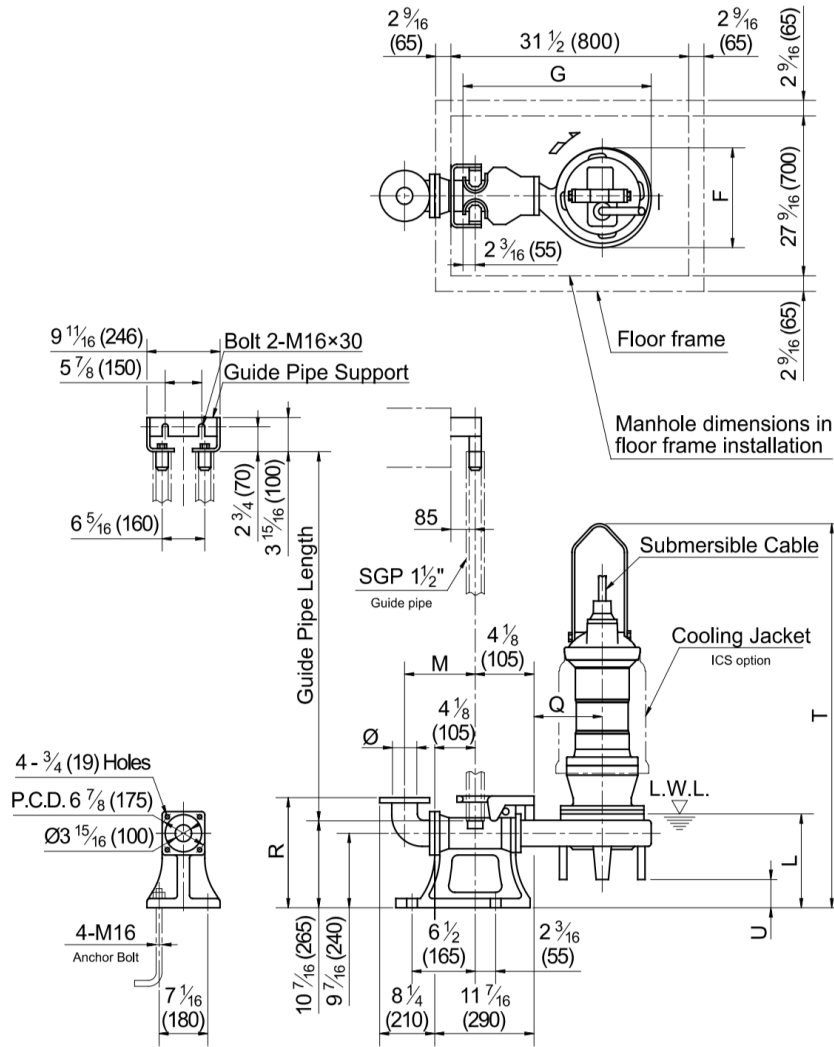


EBARA Submersible Sewage Pumps

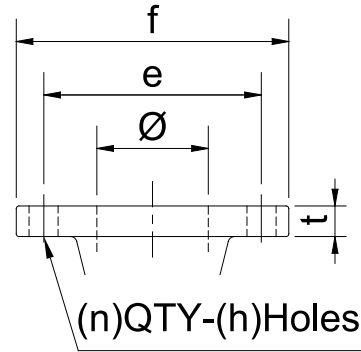
DKEU/DKEXU

Dimensions

80DKE(X)U, 10 to 15HP (with QDC)



Piping connection



■ DIMENSION: (Inch)

Ø	e	f	t	n	h	M	R
3	6	7 1/2	3/4	4	3/4	7 1/16	13 3/4
4	7 1/2	9	15/16	8	3/4	8 1/4	14 3/8

■ DIMENSION: (mm)

Ø	e	f	t	n	h	M	R
80	152	191	19	4	19	180	350
100	191	229	23.8	8	19	210	365

■ DIMENSION: (Inch)

■ WEIGHT: (lbs)

PHASE	MODEL	OUTPUT		QDC MODEL	PUMP&MOTOR						WEIGHT	
		KW	HP		F	G	L	Q	T	U	PUMP	QDC
THREE	80DKE(X)U467.5	7.5	10	LL(E)80A	14 3/4	26 9/16	11 5/8	9 15/16	55 11/16	5 1/4	545	106
	80DKE(X)U4611	11	15	LL(E)80A	15 1/2	28 5/16	11 5/8	11 1/4	57 1/8	5 1/4	671	106

■ DIMENSION: (mm)

■ WEIGHT: (kg)

PHASE	MODEL	OUTPUT		QDC MODEL	PUMP&MOTOR						WEIGHT	
		KW	HP		F	G	L	Q	T	U	PUMP	QDC
THREE	80DKE(X)U467.5	7.5	10	LL(E)80A	375	674	296	253	1415	134	247	48
	80DKE(X)U4611	11	15	LL(E)80A	394	720	296	286	1451	134	304	48

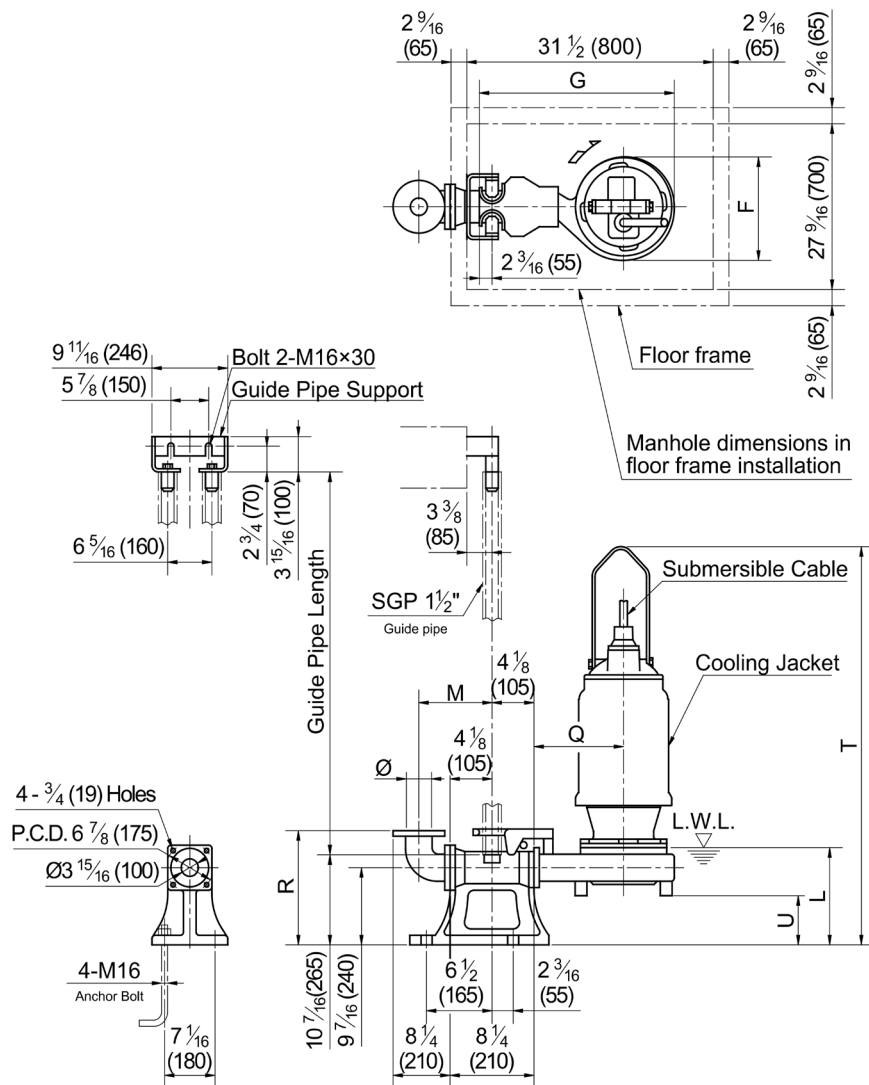


EBARA Submersible Sewage Pumps

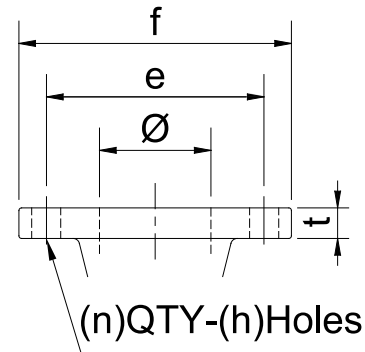
DKEU/DKEXU

Dimensions

100DKE(X)U, 3 to 5HP (with QDC)



Piping connection



■ DIMENSION: (Inch)

Ø	e	f	t	n	h	M	R
3	6	7 1/2	3/4	4	3/4	8 1/4	14 3/8
4	7 1/2	9	15/16	8	3/4	8 1/4	14 3/8
6	9 7/16	11	7/8	8	3/4	9 1/4	15 3/4

■ DIMENSION: (mm)

Ø	e	f	t	n	h	M	R
80	152	191	19	4	19	210	365
100	191	229	23.8	8	19	210	365
150	240	280	22	8	19	235	400

■ DIMENSION: (Inch)

PHASE	MODEL	OUTPUT		QDC MODEL	PUMP&MOTOR						WEIGHT		
		kW	HP		F	G	L	Q	T	U	PUMP		
											Std.	ICS Opt.	QDC
THREE	100DKE(X)U462.2	2.2	3	LL(E)100F	9 5/8	21 7/8	11 1/2	10 3/4	44 7/16	4 1/2	243	331	111
	100DKE(X)U463.7	3.7	5	LL(E)100F	11 15/16	23 3/16	11 9/16	10 7/8	48 15/16	4 1/2	258	353	111

■ WEIGHT: (lbs)

■ DIMENSION: (mm)

PHASE	MODEL	OUTPUT		QDC MODEL	PUMP&MOTOR						WEIGHT		
		kW	HP		F	G	L	Q	T	U	PUMP		
											Std.	ICS Opt.	QDC
THREE	100DKE(X)U462.2	2.2	3	LL(E)100F	244	555	292	273	1129	114	110	150	50
	100DKE(X)U463.7	3.7	5	LL(E)100F	304	590	294	277	1244	114	117	160	50

■ WEIGHT: (kg)

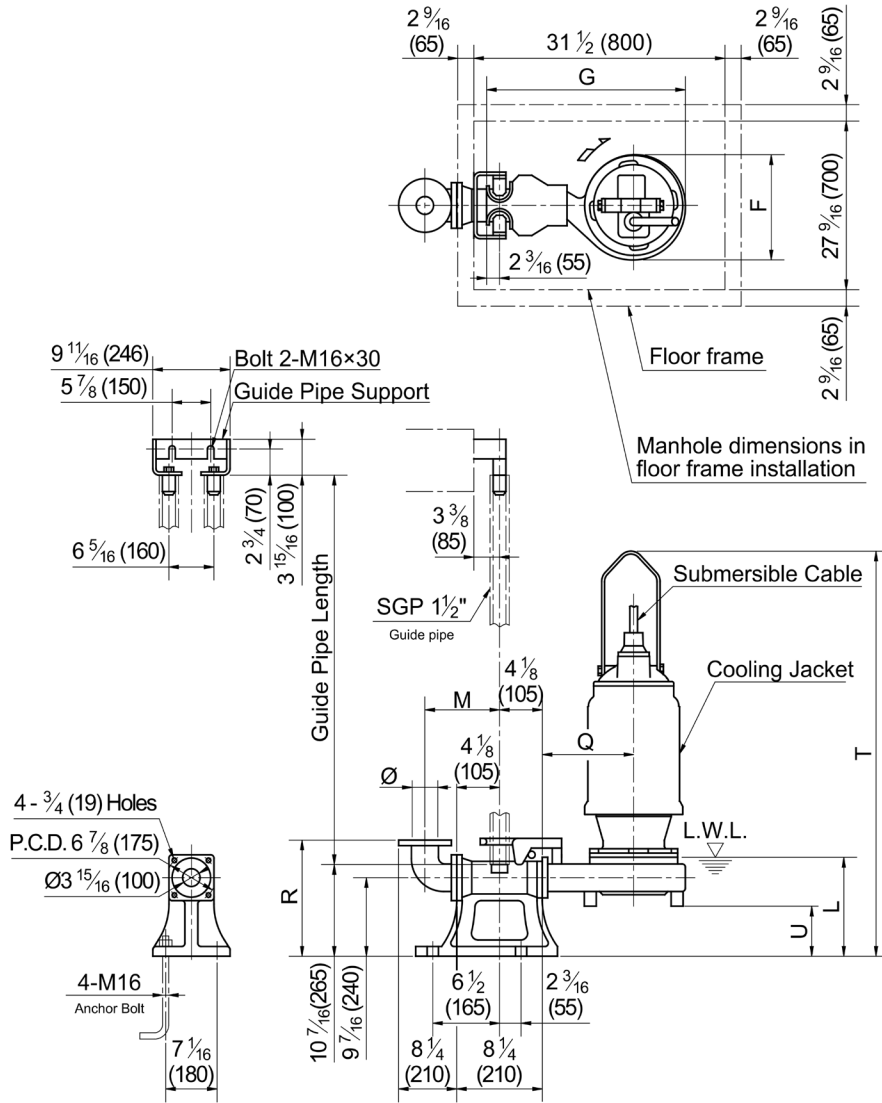


EBARA Submersible Sewage Pumps

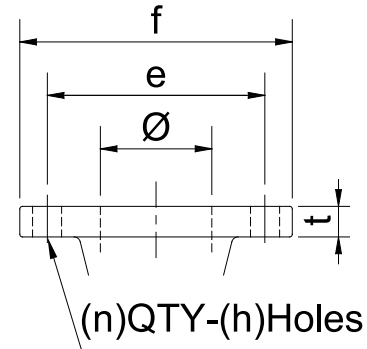
DKEU/DKEXU

Dimensions

100DKE(X)U, 7.5 to 30HP (with QDC)



Piping connection



■ DIMENSION: (Inch)

Ø	e	f	t	n	h	M	R
3	6	7 1/2	3/4	4	3/4	8 1/4	14 3/8
4	7 1/2	9	15/16	8	3/4	8 1/4	14 3/8
6	9 7/16	11	7/8	8	3/4	9 1/4	15 3/4

■ DIMENSION: (mm)

Ø	e	f	t	n	h	M	R
80	152	191	19	4	19	210	365
100	191	229	23.8	8	19	210	365
150	240	280	22	8	19	235	400

■ DIMENSION: (Inch)

PHASE	MODEL	OUTPUT		QDC MODEL	PUMP&MOTOR						WEIGHT (lbs)	
		kW	HP		F	G	L	Q	T	U	PUMP	QDC
THREE	100DKE(X)U465.5	5.5	7.5	LL(E)100F	16 5/16	26 1/16	13 7/16	11 5/8	55	4 1/2	561	111
	100DKE(X)U467.5	7.5	10	LL(E)100F	16 5/16	26 1/16	13 7/16	11 5/8	55	4 1/2	567	111
	100DKE(X)U4611	11	15	LL(E)100F	16 3/16	26 9/16	13 7/16	12 1/16	56 7/16	4 1/2	673	111
	100DKE(X)U4615	15	20	LL(E)100F	17 1/4	27	13 1/2	12 3/16	60 9/16	4 1/2	768	111
	100DKE(X)U4618	18	25	LL(E)100F	17 15/16	28 1/16	12 3/8	12 7/8	61 11/16	4 1/2	966	111
	100DKE(X)U4622	22	30	LL(E)100F	17 15/16	28 1/16	12 3/8	12 7/8	63 1/16	4 1/2	1013	111

■ WEIGHT: (lbs)

■ DIMENSION: (mm)

PHASE	MODEL	OUTPUT		QDC MODEL	PUMP&MOTOR						WEIGHT (kg)	
		kW	HP		F	G	L	Q	T	U	PUMP	QDC
THREE	100DKE(X)U465.5	5.5	7.5	LL(E)100F	414	662	341	295	1397	114	254	50
	100DKE(X)U467.5	7.5	10	LL(E)100F	414	662	341	295	1397	114	257	50
	100DKE(X)U4611	11	15	LL(E)100F	411	674	342	307	1434	115	305	50
	100DKE(X)U4615	15	20	LL(E)100F	438	686	343	310	1539	115	348	50
	100DKE(X)U4618	18	25	LL(E)100F	456	713	314	328	1567	115	438	50
	100DKE(X)U4622	22	30	LL(E)100F	456	713	314	328	1602	115	459	50

■ WEIGHT: (kg)

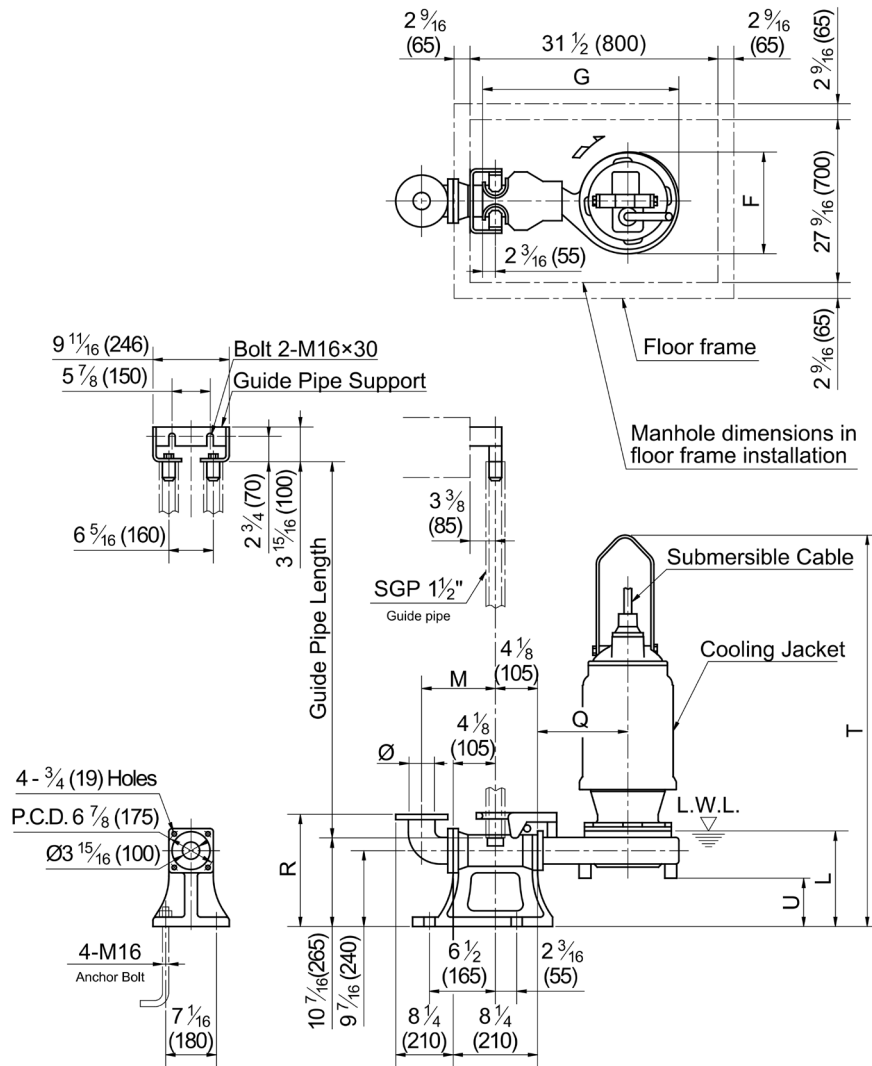


EBARA Submersible Sewage Pumps

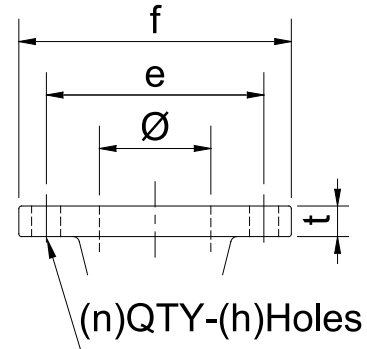
DKEU/DKEXU

Dimensions

100DKEB(X)U, 7.5 to 30HP (with QDC)



Piping connection



■ DIMENSION: (Inch)

Ø	e	f	t	n	h	M	R
3	6	7 1/2	3/4	4	3/4	8 1/4	14 3/8
4	7 1/2	9	15/16	8	3/4	8 1/4	14 3/8
6	9 7/16	11	7/8	8	3/4	9 1/4	15 3/4

■ DIMENSION: (mm)

Ø	e	f	t	n	h	M	R
80	152	191	19	4	19	210	365
100	191	229	23.8	8	19	210	365
150	240	280	22	8	19	235	400

■ DIMENSION: (Inch)

PHASE	MODEL	OUTPUT		QDC MODEL	PUMP&MOTOR						WEIGHT	
		kW	HP		F	G	L	Q	T	U	PUMP	QDC
THREE	100DKEB(X)U465.5	5.5	7 1/2	LL(E)100F	12 3/4	24 5/16	11 13/16	11 5/8	55 7/8	4 1/2	543	111
	100DKEB(X)U467.5	7.5	10	LL(E)100F	15 1/8	25 1/2	11 3/4	11 5/8	55 13/16	4 1/2	561	111
	100DKEB(X)U4611	11	15	LL(E)100F	16 5/16	26 1/2	11 3/4	12 3/16	57 1/4	4 1/2	693	111
	100DKEB(X)U4615	15	20	LL(E)100F	16 5/16	26 1/2	11 3/4	12 3/16	60 15/16	4 1/2	766	111
	100DKEB(X)U4618	18	25	LL(E)100F	17 1/8	27 9/16	12 1/16	12 13/16	61 7/16	4 1/2	964	111
	100DKEB(X)U4622	22	30	LL(E)100F	17 1/8	27 9/16	12 1/16	12 13/16	62 13/16	4 1/2	1013	111

■ DIMENSION: (mm)

PHASE	MODEL	OUTPUT		QDC MODEL	PUMP&MOTOR						WEIGHT	
		kW	HP		F	G	L	Q	T	U	PUMP	QDC
THREE	100DKEB(X)U465.5	5.5	7 1/2	LL(E)100F	323	617	301	295	1419	114	246	50
	100DKEB(X)U467.5	7.5	10	LL(E)100F	384	648	299	295	1418	114	254	50
	100DKEB(X)U4611	11	15	LL(E)100F	414	673	299	310	1454	114	314	50
	100DKEB(X)U4615	15	20	LL(E)100F	414	673	299	310	1548	114	347	50
	100DKEB(X)U4618	18	25	LL(E)100F	436	700	307	325	1560	115	437	50
	100DKEB(X)U4622	22	30	LL(E)100F	436	700	307	325	1595	115	459	50

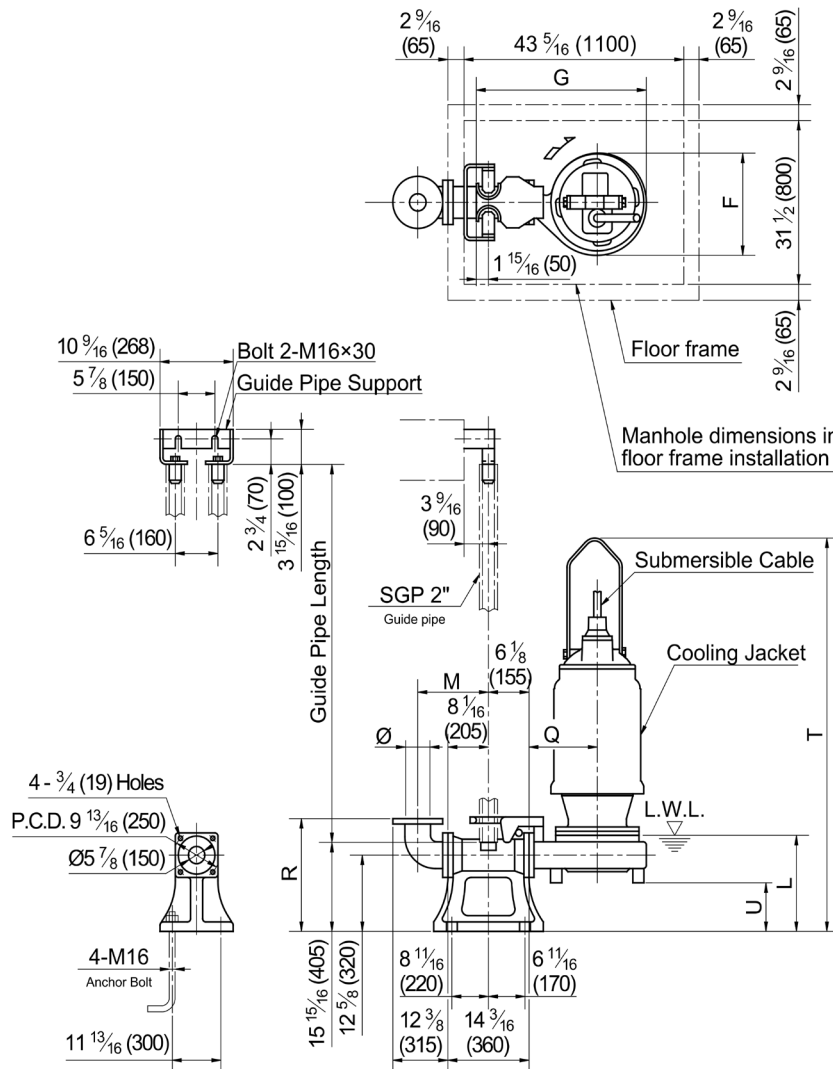


EBARA Submersible Sewage Pumps

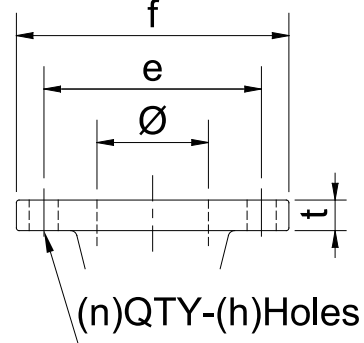
DKEU/DKEXU

Dimensions

150DKE(X)U, 10 to 30HP (with QDC)



Piping connection



■ DIMENSION: (Inch)

Ø	e	f	t	n	h	M	R
6	9 1/2	11	1	8	7/8	14	19 1/2
8	11 3/4	13 1/2	1 1/8	8	7/8	14	19 1/2

■ DIMENSION: (mm)

Ø	e	f	t	n	h	M	R
150	241	279	25.4	8	22.2	355	495
200	299	343	28.6	8	22.2	355	495

■ DIMENSION: (Inch)

PHASE	MODEL	OUTPUT		QDC MODEL	PUMP&MOTOR						WEIGHT	
		kW	HP		F	G	L	Q	T	U	PUMP	QDC
THREE	150DKE(X)U467.5	7.5	10	LL(E)150F	16 5/8	28 5/8	16	12 1/2	57 9/16	6 11/16	574	181
	150DKE(X)U4611	11	15	LL(E)150F	16 5/8	28 5/8	16	12 1/2	59	6 11/16	684	181
	150DKE(X)U4615	15	20	LL(E)150F	18 7/8	30 3/16	16 1/2	12 3/4	63 5/8	6 11/16	781	181
	150DKE(X)U4618	18	25	LL(E)150F	18 7/8	30 3/16	16 1/2	12 3/4	63 5/8	6 11/16	940	181
	150DKE(X)U4622	22	30	LL(E)150F	18 7/8	31 1/16	16 3/4	13 9/16	65 3/16	6 11/16	993	181

■ WEIGHT: (lbs)

■ DIMENSION: (mm)

PHASE	MODEL	OUTPUT		QDC MODEL	PUMP&MOTOR						WEIGHT	
		kW	HP		F	G	L	Q	T	U	PUMP	QDC
THREE	150DKE(X)U467.5	7.5	10	LL(E)150F	422	727	407	317	1463	170	260	82
	150DKE(X)U4611	11	15	LL(E)150F	422	727	407	317	1499	170	310	82
	150DKE(X)U4615	15	20	LL(E)150F	479	767	420	324	1616	170	354	82
	150DKE(X)U4618	18	25	LL(E)150F	479	767	420	324	1616	170	426	82
	150DKE(X)U4622	22	30	LL(E)150F	480	789	425	344	1657	170	450	82

■ WEIGHT: (kg)

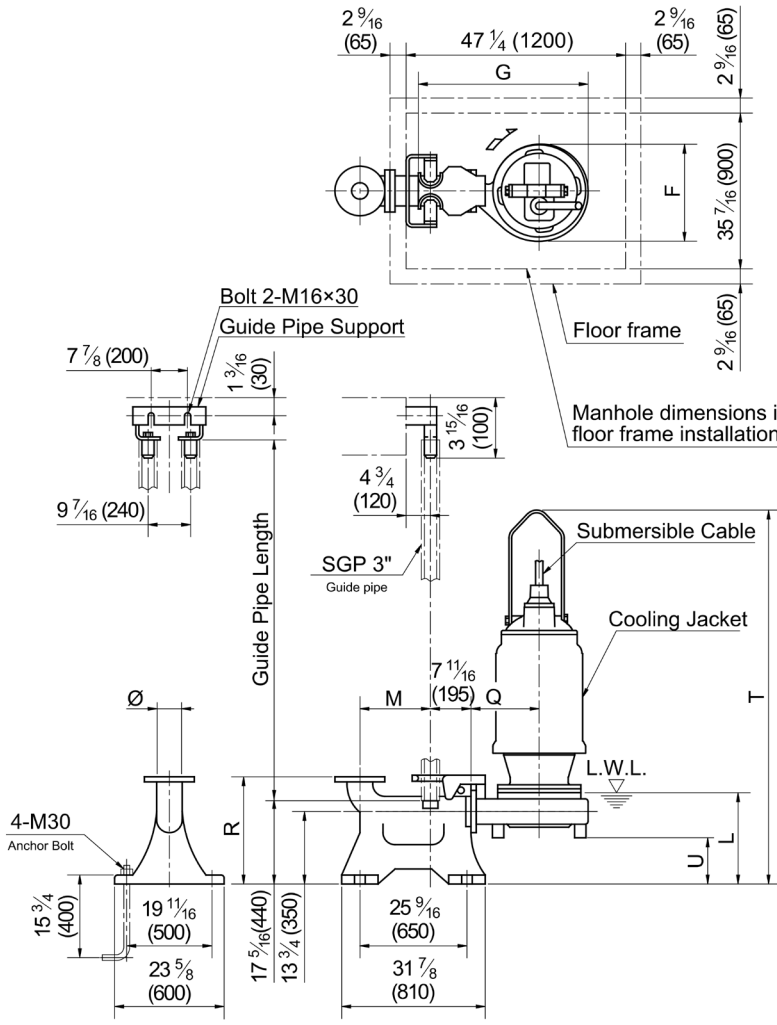


EBARA Submersible Sewage Pumps

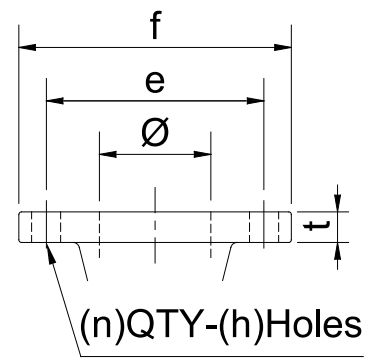
DKEU/DKEXU

Dimensions

200DKE(X)U, 15 to 30HP (with QDC)



Piping connection



■ DIMENSION: (Inch)

Ø	e	f	t	n	h	M	R
10	14	15 3/4	1 3/16	12	1	17 1/8	27 9/16

■ DIMENSION: (mm)

Ø	e	f	t	n	h	M	R
250	355	400	30	12	25	435	700

■ DIMENSION: (Inch)

■ WEIGHT: (lbs)

PHASE	MODEL	OUTPUT		QDC MODEL	PUMP&MOTOR						WEIGHT	
		kW	HP		F	G	L	Q	T	U	PUMP	QDC
THREE	200DKE(X)U4611	11	15	LL(E)250UF	20 3/16	35 7/16	18 1/8	15 1/8	61 1/8	6 9/16	746	333
	200DKE(X)U4615	15	20	LL(E)250UF	21	36 7/16	17 9/16	15 11/16	64 5/8	6 9/16	825	333
	200DKE(X)U4618	18.5	25	LL(E)250UF	21 15/16	36 7/8	17 11/16	15 5/8	64 13/16	6 9/16	1004	333
	200DKE(X)U4622	22	30	LL(E)250UF	21 15/16	36 7/8	17 11/16	15 5/8	66 3/16	6 9/16	1048	333

■ DIMENSION: (mm)

■ WEIGHT: (kg)

PHASE	MODEL	OUTPUT		QDC MODEL	PUMP&MOTOR						WEIGHT	
		kW	HP		F	G	L	Q	T	U	PUMP	QDC
THREE	200DKE(X)U4611	11	15	LL(E)250UF	513	901	461	384	1553	167	338	151
	200DKE(X)U4615	15	20	LL(E)250UF	533	926	446	398	1642	167	374	151
	200DKE(X)U4618	18.5	25	LL(E)250UF	557	936	449	397	1646	167	455	151
	200DKE(X)U4622	22	30	LL(E)250UF	557	936	449	397	1681	167	475	151

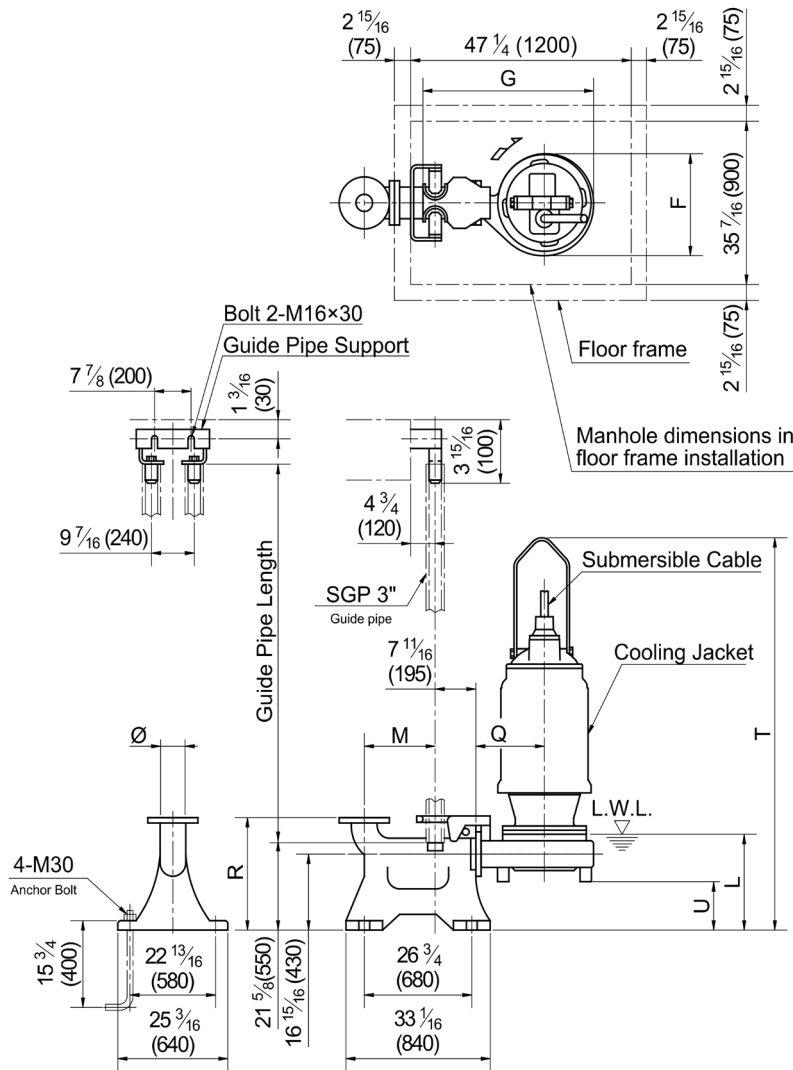


EBARA Submersible Sewage Pumps

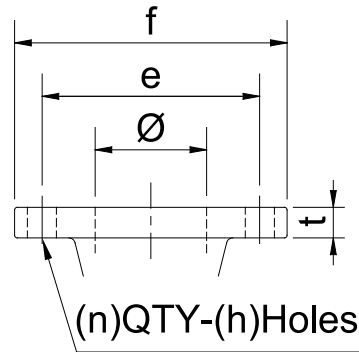
DKEU/DKEXU

Dimensions

250DKE(X)U, 25 to 30HP (with QDC)



Piping connection



■ DIMENSION: (Inch)

Ø	e	f	t	n	h	M	R
12	15 3/4	17 1/2	1 1/4	16	1	18 5/16	31 1/2

■ DIMENSION: (mm)

Ø	e	f	t	n	h	M	R
300	400	445	32	16	25	465	800

■ DIMENSION: (Inch)

PHASE	MODEL	OUTPUT		QDC MODEL	PUMP&MOTOR						WEIGHT	
		kW	HP		F	G	L	Q	T	U	PUMP	QDC
THREE	250DKE(X)U4618	18.5	25	LL(E)300U	23 3/8	38 11/16	21 1/2	16 3/4	68 5/8	8 1/2	1050	441
	250DKE(X)U4622	22	30	LL(E)300U	23 3/8	38 11/16	21 1/2	16 3/4	70	8 1/2	1094	441

■ WEIGHT: (lbs)

■ DIMENSION: (mm)

PHASE	MODEL	OUTPUT		QDC MODEL	PUMP&MOTOR						WEIGHT	
		kW	HP		F	G	L	Q	T	U	PUMP	QDC
THREE	250DKE(X)U4618	18.5	25	LL(E)300U	594	983	546	425	1743	216	476	200
	250DKE(X)U4622	22	30	LL(E)300U	594	983	546	425	1778	216	496	200

■ WEIGHT: (kg)



EBARA Submersible Sewage Pumps

DKEU/DKEXU

Dimensions

50DKE(X)U, 2HP (without QDC)

80DKE(X)U, 2 to 5HP (without QDC)

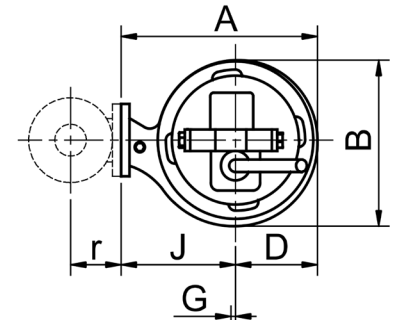
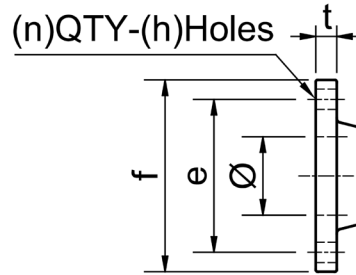
Piping connection (Pump)

■ DIMENSION: (Inch)

Ø	e	f	t	n	h
2	4 3/4	6	5/8	4	3/4
3	6	7 1/2	3/4	4	3/4

■ DIMENSION: (mm)

Ø	e	f	t	n	h
50	120.7	150	16	4	20
80	152.4	190	19	4	20



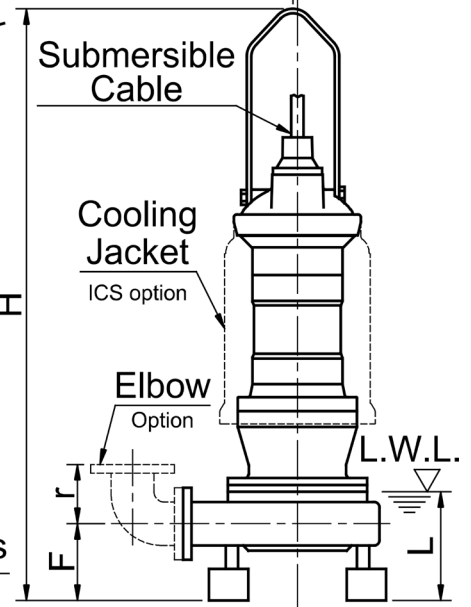
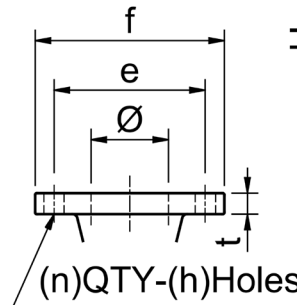
Piping connection (ANSI Elbow)

■ DIMENSION: (Inch)

Ø	e	f	t	n	h	r
2	4 3/4	6	5/8	4	3/4	4 1/2
3	6	7 1/2	3/4	4	3/4	5 1/2
4	7 1/2	9	15/16	8	3/4	6 1/2

■ DIMENSION: (mm)

Ø	e	f	t	n	h	r
50	120.7	150	16	4	20	114.3
80	152.4	190	19	4	20	139.7
100	190.5	230	24	8	20	165.1



■ DIMENSION: (Inch)

■ WEIGHT: (lbs)

PHASE	MODEL	OUTPUT		PUMP & MOTOR								WEIGHT	
		KW	HP	A	B	D	F	G	H	J	L	Std.	ICS Opt.
THREE	50DKE(X)U461.5	1.5	2	12 7/16	10 1/2	5 3/8	7 5/16	5/16	42 11/16	7 1/16	9 3/16	201	283
	80DKE(X)U461.5	1.5	2	13 1/16	10 1/8	5 1/16	8 1/8	5/16	43 7/16	8	10 3/16	199	281
	80DKE(X)U462.2	2.2	3	14 1/2	11 5/8	5 7/8	8 1/8	5/16	47 5/16	8 11/16	10 5/16	236	331
	80DKE(X)U463.7	3.7	5	14 11/16	11 7/16	5 3/4	8 1/8	5/16	47 5/8	8 15/16	10 1/4	254	353

■ DIMENSION: (mm)

■ WEIGHT: (kg)

PHASE	MODEL	OUTPUT		PUMP & MOTOR								WEIGHT	
		KW	HP	A	B	D	F	G	H	J	L	Std.	ICS Opt.
THREE	50DKE(X)U461.5	1.5	2	317	267	137	186	8	1085	180	234	91	128
	80DKE(X)U461.5	1.5	2	332	258	129	206	8	1104	203	258	90	127
	80DKE(X)U462.2	2.2	3	368	295	148	206	8	1203	220	262	107	150
	80DKE(X)U463.7	3.7	5	373	290	146	206	8	1210	228	260	115	160



EBARA Submersible Sewage Pumps

DKEU/DKEXU

Dimensions

80DKE(X)U, 7.5 to 15HP (without QDC)

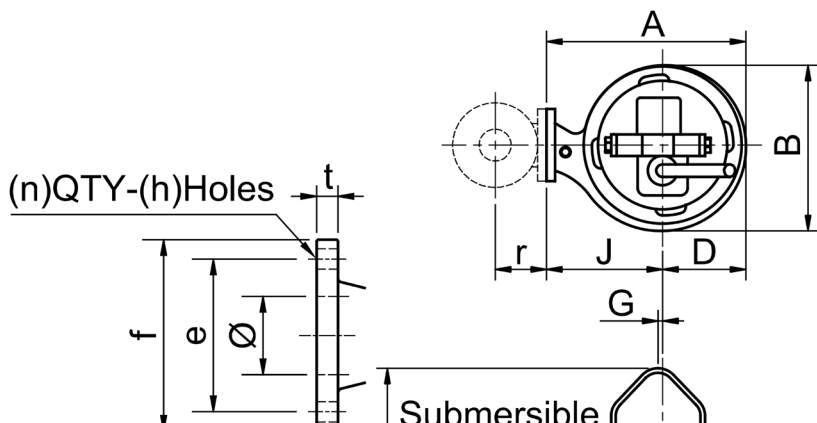
Piping connection (Pump)

■ DIMENSION: (Inch)

∅	e	f	t	n	h
3	6	7 1/2	3/4	4	3/4

■ DIMENSION: (mm)

∅	e	f	t	n	h
80	152.4	190	19	4	20



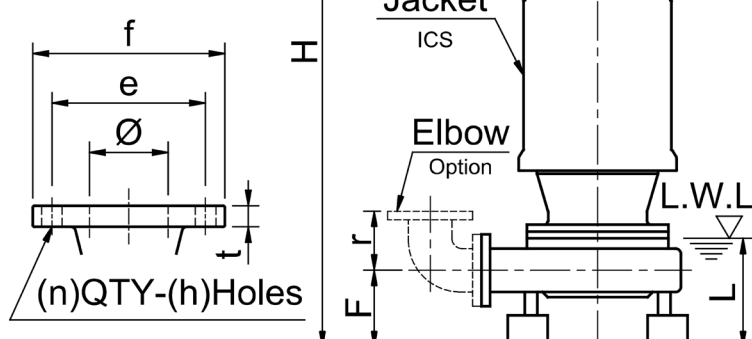
Piping connection (ANSI Elbow)

■ DIMENSION: (Inch)

∅	e	f	t	n	h	r
3	6	7 1/2	3/4	4	3/4	5 1/2
4	7 1/2	9	15/16	8	3/4	6 1/2

■ DIMENSION: (mm)

∅	e	f	t	n	h	r
80	152.4	190	19	4	20	139.7
100	190.5	230	24	8	20	165.1



■ DIMENSION: (Inch)

■ WEIGHT: (lbs)

PHASE	MODEL	OUTPUT		PUMP & MOTOR								WEIGHT
		KW	HP	A	B	D	F	G	H	J	L	
THREE	80DKE(X)U465.5	5.5	7.5	15 5/8	12 1/16	6 1/8	8 1/8	5 1/16	54 1/2	9 1/2	10 1/2	73
	80DKE(X)U467.5	7.5	10	17 1/8	14 3/4	7 1/8	8 1/8	5 1/16	54 3/8	9 15/16	10 5/16	545
	80DKE(X)U4611	11	15	18 7/8	15 1/2	7 5/8	8 1/8	5 1/16	55 13/16	11 1/4	10 5/16	671

■ DIMENSION: (mm)

■ WEIGHT: (kg)

PHASE	MODEL	OUTPUT		PUMP & MOTOR								WEIGHT
		KW	HP	A	B	D	F	G	H	J	L	
THREE	80DKE(X)U465.5	5.5	7.5	396.8	306.8	155.3	206	8	1385	241.5	266.5	239
	80DKE(X)U467.5	7.5	10	434.3	374.7	181.3	206	8	1380.5	253	262	247
	80DKE(X)U4611	11	15	479.8	394.3	193.8	206	8	1417	286	262	304



EBARA Submersible Sewage Pumps

DKEU/DKEXU

Dimensions

100DKE(X)U, 3 to 5HP (without QDC)

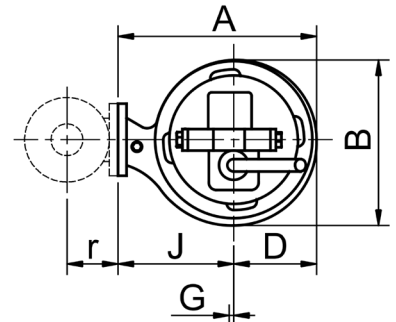
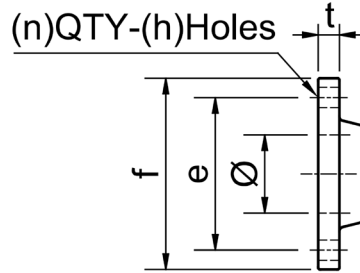
Piping connection (Pump)

■ **DIMENSION: (Inch)**

∅	e	f	t	n	h
4	7 1/2	9	15/16	8	3/4

■ **DIMENSION: (mm)**

∅	e	f	t	n	h
100	190.5	230	24	8	20



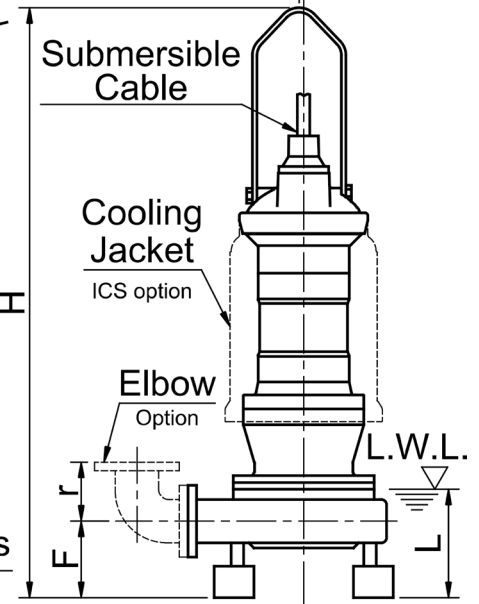
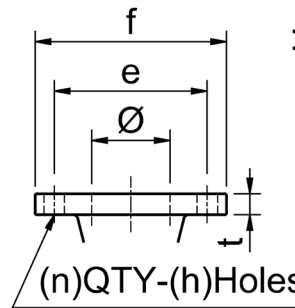
Piping connection (ANSI Elbow)

■ **DIMENSION: (Inch)**

∅	e	f	t	n	h	r
4	7 1/2	9	15/16	8	3/4	6 1/2
6	9 1/2	11	1	8	7/8	8

■ **DIMENSION: (mm)**

∅	e	f	t	n	h	r
100	190.5	230	24	8	20	165.1
150	241.3	280	25.4	8	23	203.2



■ **DIMENSION: (Inch)**

■ **WEIGHT: (lbs)**

PHASE	MODEL	OUTPUT		PUMP & MOTOR								WEIGHT	
		kW	HP	A	B	D	F	G	H	J	L	Std.	ICS Opt.
THREE	100DKE(X)U462.2	2.2	3	15 9/16	9 5/8	4 13/16	8 7/8	5 5/16	48	10 3/4	10 15/16	243	340
	100DKE(X)U463.7	3.7	5	16 15/16	11 15/16	6	8 7/8	5 5/16	48 3/8	10 7/8	11	258	356

■ **DIMENSION: (mm)**

■ **WEIGHT: (kg)**

PHASE	MODEL	OUTPUT		PUMP & MOTOR								WEIGHT	
		kW	HP	A	B	D	F	G	H	J	L	Std.	ICS Opt.
THREE	100DKE(X)U462.2	2.2	3	395.4	244.2	122.4	226	8	1218.5	273	278	110	154
	100DKE(X)U463.7	3.7	5	429.7	304	152.7	226	8	1229.5	277	280	117	161



EBARA Submersible Sewage Pumps

DKEU/DKEXU

Dimensions

100DKE(X)U, 7.5 to 60HP (without QDC)

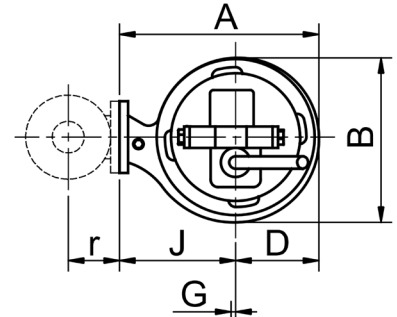
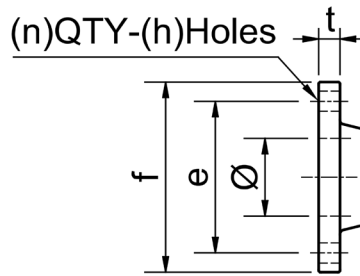
Piping connection (Pump)

■ DIMENSION: (Inch)

∅	e	f	t	n	h
4	7 1/2	9	15/16	8	3/4

■ DIMENSION: (mm)

∅	e	f	t	n	h
100	190.5	230	24	8	20



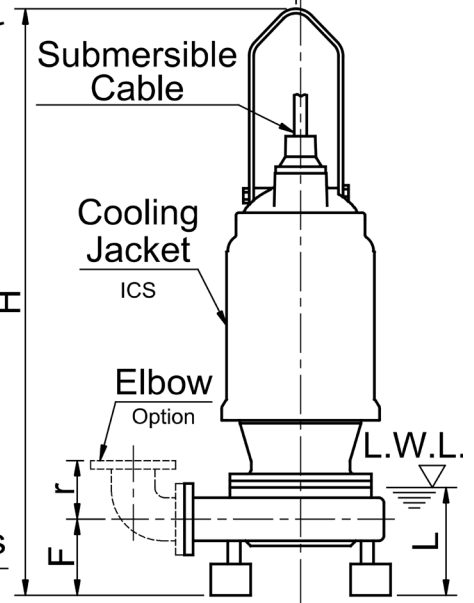
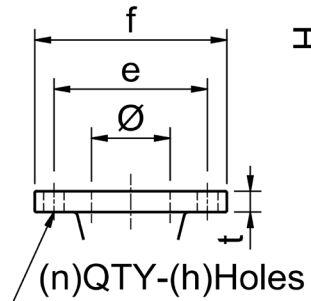
Piping connection (ANSI Elbow)

■ DIMENSION: (Inch)

∅	e	f	t	n	h	r
4	7 1/2	9	15/16	8	3/4	6 1/2
6	9 1/2	11	1	8	7/8	8

■ DIMENSION: (mm)

∅	e	f	t	n	h	r
100	190.5	230	24	8	20	165.1
150	241.3	280	25.4	8	23	203.2



■ DIMENSION: (Inch)

■ WEIGHT: (lbs)

PHASE	MODEL	OUTPUT		PUMP & MOTOR								WEIGHT
		KW	HP	A	B	D	F	G	H	J	L	
THREE	100DKE(X)U465.5	5.5	7.5	19 3/4	16 5/16	8 1/8	10 7/8	5/16	56 3/8	11 5/8	14 7/8	561
	100DKE(X)U467.5	7.5	10	19 3/4	16 5/16	8 1/8	10 7/8	5/16	56 3/8	11 5/8	14 7/8	567
	100DKE(X)U4611	11	15	20 1/4	16 3/16	8 3/16	10 13/16	5/16	57 13/16	12 1/16	14 13/16	673
	100DKE(X)U4615	15	20	20 3/4	17 1/4	8 1/2	10 13/16	5/16	61 15/16	12 3/16	14 7/8	768
	100DKE(X)U4618	18.5	25	21 3/4	17 15/16	8 7/8	10 13/16	5/16	63 1/16	12 7/8	13 3/4	966
	100DKE(X)U4622	22	30	21 3/4	17 15/16	8 7/8	10 13/16	5/16	64 7/16	12 7/8	13 3/4	1013

■ DIMENSION: (mm)

■ WEIGHT: (kg)

PHASE	MODEL	OUTPUT		PUMP & MOTOR								WEIGHT
		KW	HP	A	B	D	F	G	H	J	L	
THREE	100DKE(X)U465.5	5.5	7.5	501.5	414.3	206.5	276	8	1432.5	295	377.2	254
	100DKE(X)U467.5	7.5	10	501.5	414.3	206.5	276	8	1432.5	295	377.2	257
	100DKE(X)U4611	11	15	514.3	410.9	207.3	275	8	1468.5	307	376.5	305
	100DKE(X)U4615	15	20	526.4	438.1	216.4	275	8	1574	310	377.5	348
	100DKE(X)U4618	18.5	25	553.1	455.5	225.6	275.2	8	1602.5	327.5	349	438
	100DKE(X)U4622	22	30	553.1	455.5	225.6	275.2	8	1637.5	327.5	349	459



EBARA Submersible Sewage Pumps

DKEU/DKEXU

Dimensions

100DKEB(X)U, 7.5 to 30HP (without QDC)

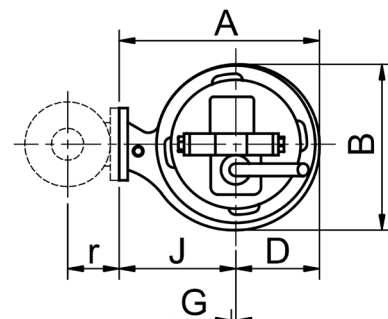
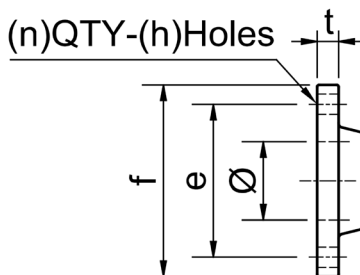
Piping connection (Pump)

■ **DIMENSION: (Inch)**

Ø	e	f	t	n	h
4	7 1/2	9	15/16	8	3/4

■ **DIMENSION: (mm)**

Ø	e	f	t	n	h
100	190.5	230	24	8	20



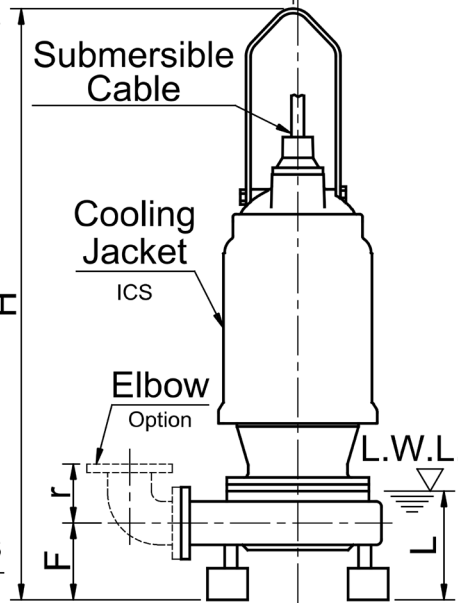
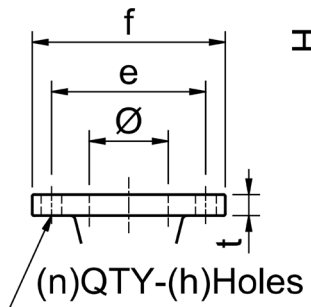
Piping connection (ANSI Elbow)

■ **DIMENSION: (Inch)**

Ø	e	f	t	n	h	r
4	7 1/2	9	15/16	8	3/4	6 1/2
6	9 1/2	11	1	8	7/8	8

■ **DIMENSION: (mm)**

Ø	e	f	t	n	h	r
100	190.5	230	24	8	20	165.1
150	241.3	280	25.4	8	23	203.2



■ **DIMENSION: (Inch)**

■ **WEIGHT: (lbs)**

PHASE	MODEL	OUTPUT		PUMP & MOTOR								WEIGHT
		KW	HP	A	B	D	F	G	H	J	L	
THREE	100DKEB(X)U465.5	5.5	7.5	18	12 3/4	6 3/8	8 7/8	5 1/16	55 5/16	11 5/8	11 1/4	543
	100DKEB(X)U467.5	7.5	10	19 3/16	15 1/8	7 9/16	8 7/8	5 1/16	55 1/4	11 5/8	11 1/4	561
	100DKEB(X)U4611	11	15	20 3/16	16 5/16	8	8 7/8	5 1/16	56 11/16	12 3/16	11 1/4	693
	100DKEB(X)U4615	15	20	20 3/16	16 5/16	8	8 7/8	5 1/16	60 3/8	12 3/16	11 1/4	766
	100DKEB(X)U4618	18	25	21 1/4	17 1/8	8 7/16	8 7/8	5 1/16	60 7/8	12 13/16	11 1/2	964
	100DKEB(X)U4622	22	30	21 1/4	17 1/8	8 7/16	8 7/8	5 1/16	62 1/4	12 13/16	11 1/2	1013

■ **DIMENSION: (mm)**

■ **WEIGHT: (kg)**

PHASE	MODEL	OUTPUT		PUMP & MOTOR								WEIGHT
		KW	HP	A	B	D	F	G	H	J	L	
THREE	100DKEB(X)U465.5	5.5	7.5	456.9	323.4	161.9	226	8	1405	295	286.5	246
	100DKEB(X)U467.5	7.5	10	487.7	384.3	192.7	226	8	1403.5	295	285	254
	100DKEB(X)U4611	11	15	512.7	414.3	202.7	226	8	1440	310	285	314
	100DKEB(X)U4615	15	20	512.7	414.3	202.7	226	8	1533.5	310	285	347
	100DKEB(X)U4618	18	25	539.6	435.6	214.6	225.5	8	1545.5	325	292	437
	100DKEB(X)U4622	22	30	539.6	435.6	214.6	225.5	8	1580.5	325	292	459



EBARA Submersible Sewage Pumps

DKEU/DKEXU

Dimensions

150DKE(X)U, 10 to 60HP (without QDC)

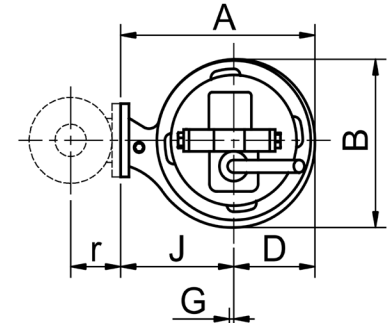
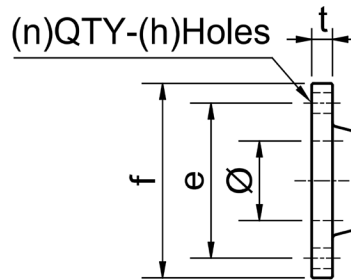
Piping connection (Pump)

■ DIMENSION: (Inch)

∅	e	f	t	n	h
6	9 1/2	11	1	8	7/8

■ DIMENSION: (mm)

∅	e	f	t	n	h
150	241.3	280	26	8	23



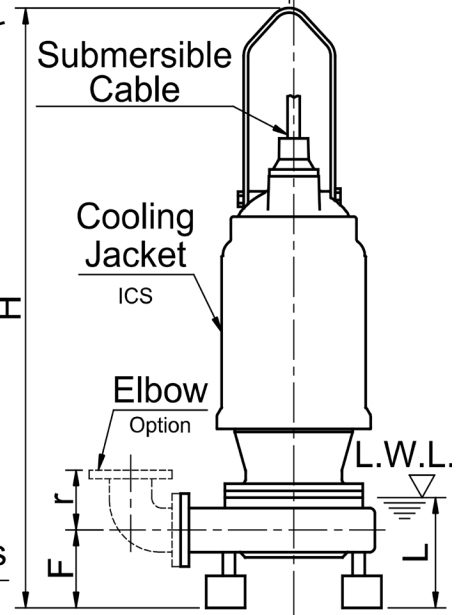
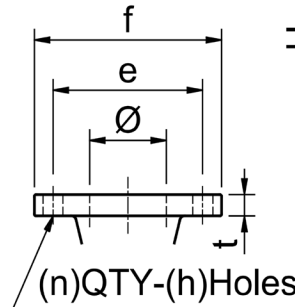
Piping connection (ANSI Elbow)

■ DIMENSION: (Inch)

∅	e	f	t	n	h	r
6	9 1/2	11	1	8	7/8	8
8	11 3/4	13 1/2	1 1/8	8	7/8	9

■ DIMENSION: (mm)

∅	e	f	t	n	h	r
150	241.3	280	25.4	8	23	203.2
200	298.4	345	29	8	23	228.6



■ DIMENSION: (Inch)

■ WEIGHT: (lbs)

PHASE	MODEL	OUTPUT		PUMP & MOTOR								WEIGHT
		kW	HP	A	B	D	F	G	H	J	L	
THREE	150DKE(X)U467.5	7.5	10	20 11/16	16 5/8	8 1/4	11 13/16	5 1/16	56 13/16	12 1/2	15 1/4	574
	150DKE(X)U4611	11	15	20 11/16	16 5/8	8 1/4	11 13/16	5 1/16	58 1/4	12 1/2	15 1/4	684
	150DKE(X)U4615	15	20	22 5/16	18 7/8	9 9/16	10 7/8	5 1/16	61 7/8	12 3/4	14 3/4	781
	150DKE(X)U4618	18.5	25	22 5/16	18 7/8	9 9/16	10 7/8	5 1/16	61 7/8	12 3/4	14 3/4	940
	150DKE(X)U4622	22	30	23 1/8	18 7/8	9 5/8	11 13/16	5 1/16	64 7/16	13 9/16	15 15/16	993

■ DIMENSION: (mm)

■ WEIGHT: (kg)

PHASE	MODEL	OUTPUT		PUMP & MOTOR								WEIGHT
		kW	HP	A	B	D	F	G	H	J	L	
THREE	150DKE(X)U467.5	7.5	10	526.2	421.5	209.2	300	8	1442.5	317	387	260
	150DKE(X)U4611	11	15	526.2	421.5	209.2	300	8	1479	317	387	310
	150DKE(X)U4615	15	20	566.2	478.8	242.2	275.5	8	1571.5	324	375	354
	150DKE(X)U4618	18.5	25	566.2	478.8	242.2	275.5	8	1571.5	324	375	426
	150DKE(X)U4622	22	30	588	479.7	244	300	8	1636.5	344	405	450



EBARA Submersible Sewage Pumps

DKEU/DKEXU

Dimensions

200DKE(X)U, 15 to 60HP (without QDC)

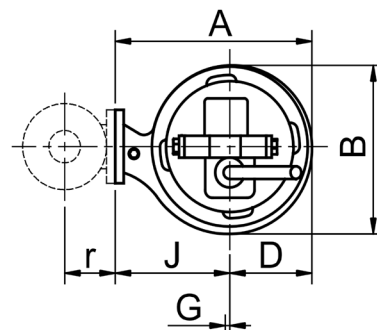
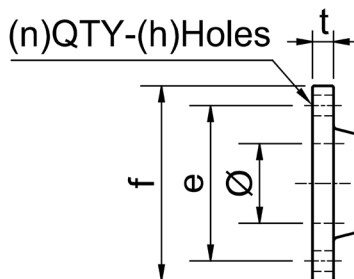
Piping connection (Pump)

■ DIMENSION: (Inch)

Ø	e	f	t	n	h
8	11 3/4	13 1/2	1 1/8	8	7/8

■ DIMENSION: (mm)

Ø	e	f	t	n	h
200	298.4	345	29	8	23



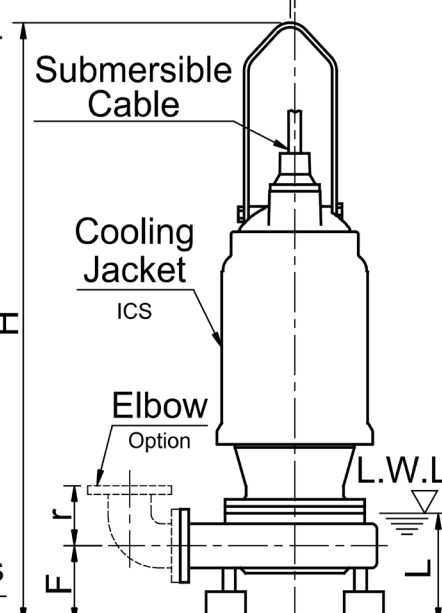
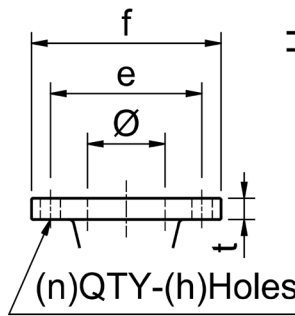
Piping connection (ANSI Elbow)

■ DIMENSION: (Inch)

Ø	e	f	t	n	h	r
8	11 3/4	13 1/2	1 1/8	8	7/8	9
10	14 1/4	16	1 3/16	12	1	11

■ DIMENSION: (mm)

Ø	e	f	t	n	h	r
200	298.4	345	29	8	23	228.6
250	362	405	31	12	26	279.4



■ DIMENSION: (Inch)

■ WEIGHT: (lbs)

PHASE	MODEL	OUTPUT		PUMP & MOTOR								WEIGHT
		KW	HP	A	B	D	F	G	H	J	L	
THREE	200DKE(X)U4611	11	15	25 3/16	20 3/16	10 1/16	12 1/8	5 5/16	59 1/2	15 1/8	16 1/2	746
	200DKE(X)U4615	15	20	26 3/16	21	10 1/2	12 1/8	5 5/16	63	15 11/16	15 7/8	825
	200DKE(X)U4618	18.5	25	26 9/16	21 15/16	10 15/16	13 1/8	5 5/16	64 1/8	15 5/8	17	1004
	200DKE(X)U4622	22	30	26 9/16	21 15/16	10 15/16	13 1/8	5 5/16	65 1/2	15 5/8	17	1048

■ DIMENSION: (mm)

■ WEIGHT: (kg)

PHASE	MODEL	OUTPUT		PUMP & MOTOR								WEIGHT
		KW	HP	A	B	D	F	G	H	J	L	
THREE	200DKE(X)U4611	11	15	639.9	513.1	255.9	308	8	1511	384	419	338
	200DKE(X)U4615	15	20	664.7	532.6	266.7	308.3	8	1600.5	398	404	374
	200DKE(X)U4618	18.5	25	674.9	556.5	277.9	333	8	1628.5	397	432	455
	200DKE(X)U4622	22	30	674.9	556.5	277.9	333	8	1663.5	397	432	475



PUMP SUPPLY
INCORPORATED



EBARA Submersible Sewage Pumps

DKEU/DKEXU

Dimensions

250DKE(X)U, 25 to 60HP (without QDC)

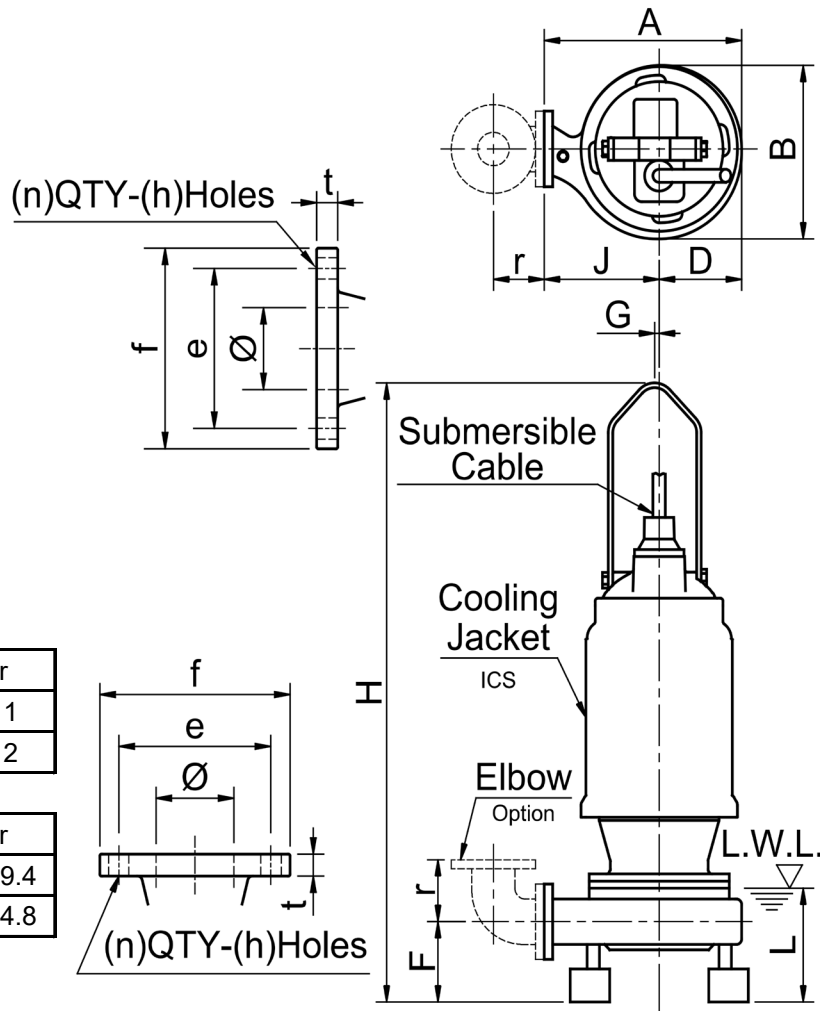
Piping connection (Pump)

■ **DIMENSION: (Inch)**

∅	e	f	t	n	h
10	14 1/4	16	1 3/16	12	1

■ **DIMENSION: (mm)**

∅	e	f	t	n	h
250	362	405	31	12	26



Piping connection (ANSI Elbow)

■ **DIMENSION: (Inch)**

∅	e	f	t	n	h	r
10	14 1/4	16	1 3/16	12	1	11
12	17	19	1 1/4	12	1	12

■ **DIMENSION: (mm)**

∅	e	f	t	n	h	r
250	362	405	31	12	26	279.4
300	362	405	32	12	26	304.8

■ **DIMENSION: (Inch)**

■ **WEIGHT: (lbs)**

PHASE	MODEL	OUTPUT		PUMP & MOTOR								WEIGHT
		KW	HP	A	B	D	F	G	H	J	L	
THREE	250DKE(X)U4618	18.5	25	28 7/16	23 3/8	11 11/16	14 5/16	5 5/16	66	16 3/4	18 7/8	1050
	250DKE(X)U4622	22	30	28 7/16	23 3/8	11 11/16	14 5/16	5 5/16	67 3/8	16 3/4	18 7/8	1094

■ **DIMENSION: (mm)**

■ **WEIGHT: (kg)**

PHASE	MODEL	OUTPUT		PUMP & MOTOR								WEIGHT
		KW	HP	A	B	D	F	G	H	J	L	
THREE	250DKE(X)U4618	18.5	25	721.8	594.4	296.8	364	8	1676.5	425	480	476
	250DKE(X)U4622	22	30	721.8	594.4	296.8	364	8	1711.5	425	480	496



**PUMP SUPPLY
INCORPORATED**



EBARA Submersible Sewage Pumps

DKEU/DKEXU

Dimensions

Minimum Center to Center dimension for Duplex/Triplex station

Size	Model	Output		Casing Size (B)		Min. C-C Dim.	
		kW	HP	Inch	mm	Inch	mm
2" (50)	50DKE(X)U461.5	1.5	2	10 1/2	267	15	369
3" (80)	80DKE(X)U461.5	1.5	2	10 1/8	258	14	360
	80DKE(X)U462.2	2.2	3	11 5/8	295	16	397
	80DKE(X)U463.7	3.7	5	11 7/16	290	15	392
	80DKE(X)U465.5	5.5	7.5	12 1/16	306.8	16	408
	80DKE(X)U467.5	7.5	10	14 3/4	374.7	19	476
	80DKE(X)U4611	11	15	15 1/2	394.3	20	496
4" (100)	100DKE(X)U462.2	2.2	3	9 5/8	244.2	14	346
	100DKE(X)U463.7	3.7	5	11 5/16	304	16	406
	100DKE(X)U465.5	5.5	7.5	16 5/16	414.3	20	516
	100DKE(X)U467.5	7.5	10	16 5/16	414.3	20	516
	100DKE(X)U4611	11	15	16 3/16	410.9	20	513
	100DKE(X)U4615	15	20	17 1/4	438.1	21	540
	100DKE(X)U4618	18.5	25	17 15/16	455.5	22	557
	100DKE(X)U4622	22	30	17 15/16	455.5	22	557
	100DKE(X)U465.5	5.5	7.5	12 3/4	323.4	17	425
	100DKE(X)U467.5	7.5	10	15 1/8	384.3	19	486
	100DKE(X)U4611	11	15	16 5/16	414.3	20	516
	100DKE(X)U4615	15	20	16 5/16	414.3	20	516
	100DKE(X)U4618	18	25	17 1/8	435.6	21	537
	100DKE(X)U4622	22	30	17 1/8	435.6	21	537
6" (150)	150DKE(X)U467.5	7.5	10	16 5/8	421.5	21	523
	150DKE(X)U4611	11	15	16 5/8	421.5	21	523
	150DKE(X)U4615	15	20	18 7/8	478.8	23	580
	150DKE(X)U4618	18.5	25	18 7/8	478.8	23	580
	150DKE(X)U4622	22	30	18 7/8	479.7	23	581
8" (200)	200DKE(X)U4611	11	15	20 3/16	513.1	24	615
	200DKE(X)U4615	15	20	21	532.6	25	634
	200DKE(X)U4618	18.5	25	21 15/16	556.5	26	658
	200DKE(X)U4622	22	30	21 15/16	556.5	26	658
10" (250)	250DKE(X)U4618	18.5	25	23 3/8	594.4	27	696
	250DKE(X)U4622	22	30	23 3/8	594.4	27	696

Illinois Location:
 (847) 841-7867
 860 Church Rd Elgin, IL 60

Minnesota Location:
 (651) 758-7867
 330 Mill Bay South Suite :
 Afton, MN 55001

PumpSupplyInc.com

