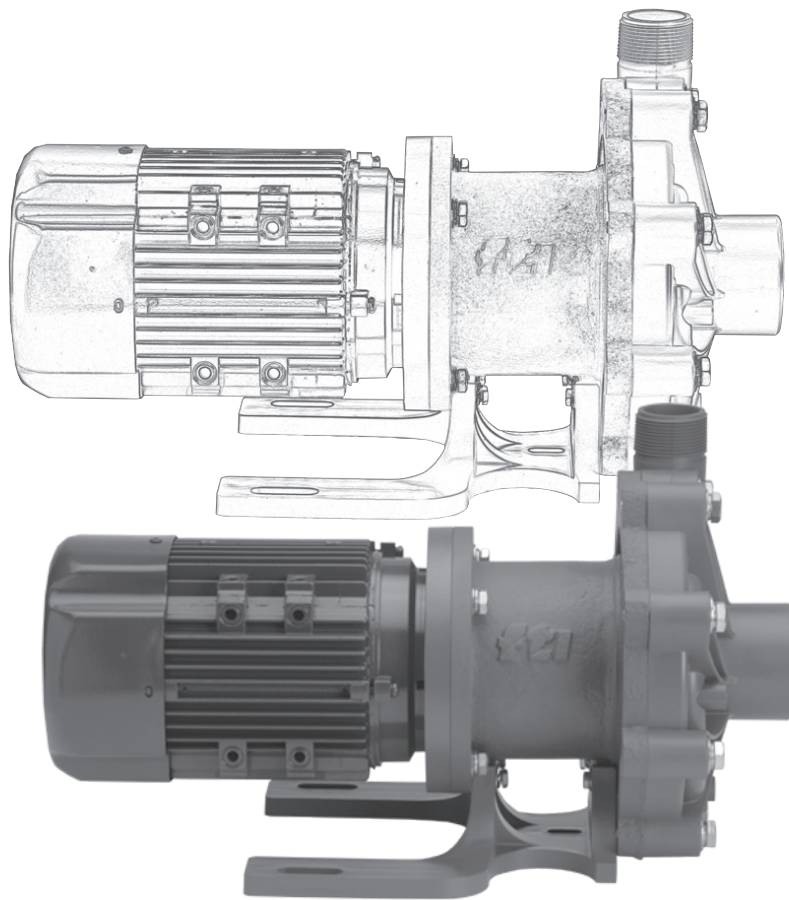


DB SERIES OUTLINE DIMENSIONS

Literature ID No. FT06-930
Revision 4



FINISH THOMPSON INC.

921 Greengarden Road • Erie, PA 16501-1591 U.S.A.
Ph 814-455-4478 • Fax 814-455-8518
Email fti@finishthompson.com • www.finishthompson.com

10/23/12

TABLE OF CONTENTS

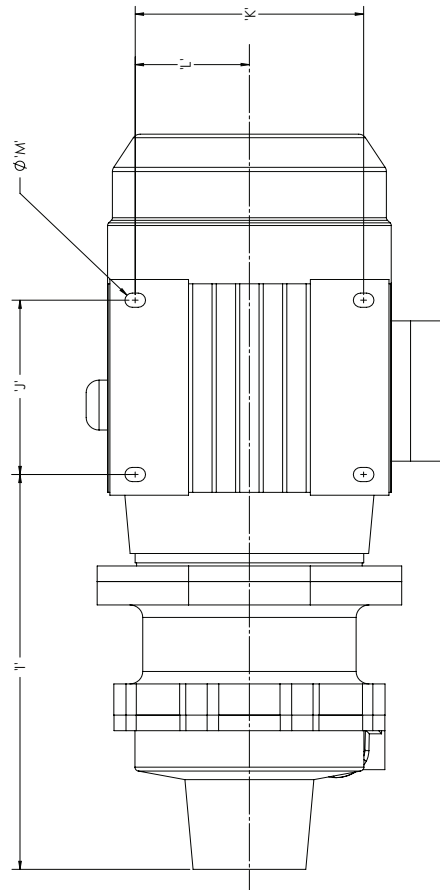
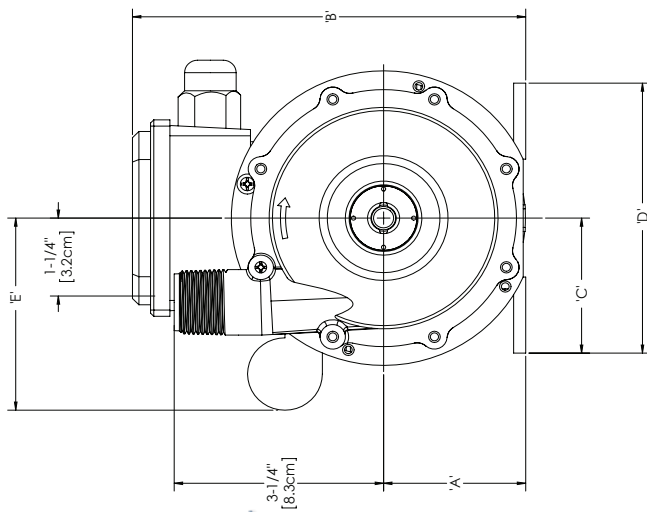
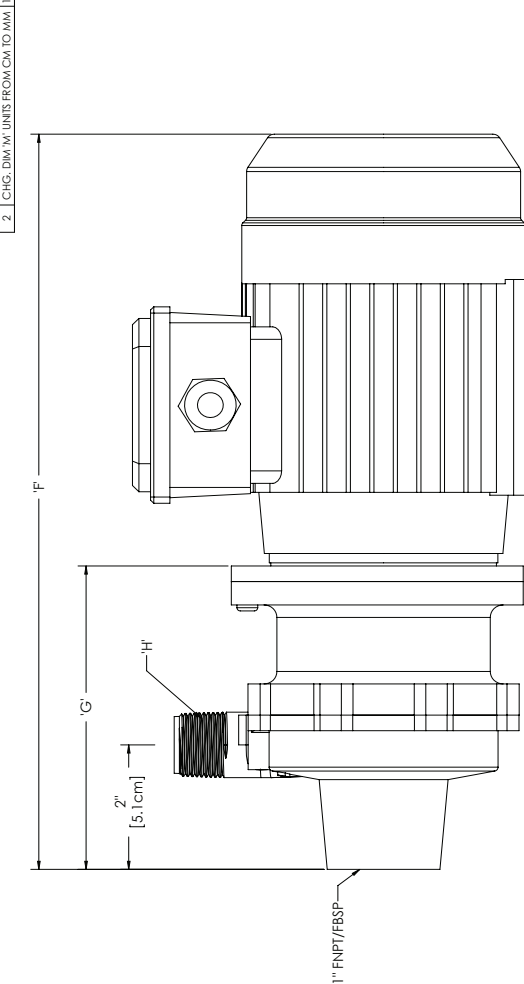
Drawing	Page No.
DB3/4/5/5.5 Outline Dimensions	3
DB6/6H/9 Outline Dimensions	
Threaded.....	4
Union.....	5
Flanged	6
DB8 Outline Dimensions	
Threaded.....	7
Union.....	8
Flanged	9
DB7/10 Outline Dimensions	
Threaded.....	10
Union.....	11
Flanged	12
DB11/15 Outline Dimensions	
Threaded.....	13
Union.....	14
Flanged	15
DB11/15 Outline Dimensions 80/90 FR B5	
Threaded.....	16
Union.....	17
Flanged	18
DB11/15 Outline Dimensions 100/112 FR B5	
Threaded.....	19
Union.....	20
Flanged	21
DB22 Outline Dimensions	
Threaded.....	22
Union.....	23
Flanged	24



DB3/4/5/5.5 Outline Dimensions - Threaded Housing (R100531)

REV	DESCRIPTION	DATE	APPROD	TRACK
1	UPDATED MOTOR DIMS. ADDED DBS.5 AND 7.1 FR.	1/14/10	DAC	3387
2	CHG. DIM "M" UNITS FROM CM TO MM, 1/17/11	1/17/11	DAC	3460

REVISIONS



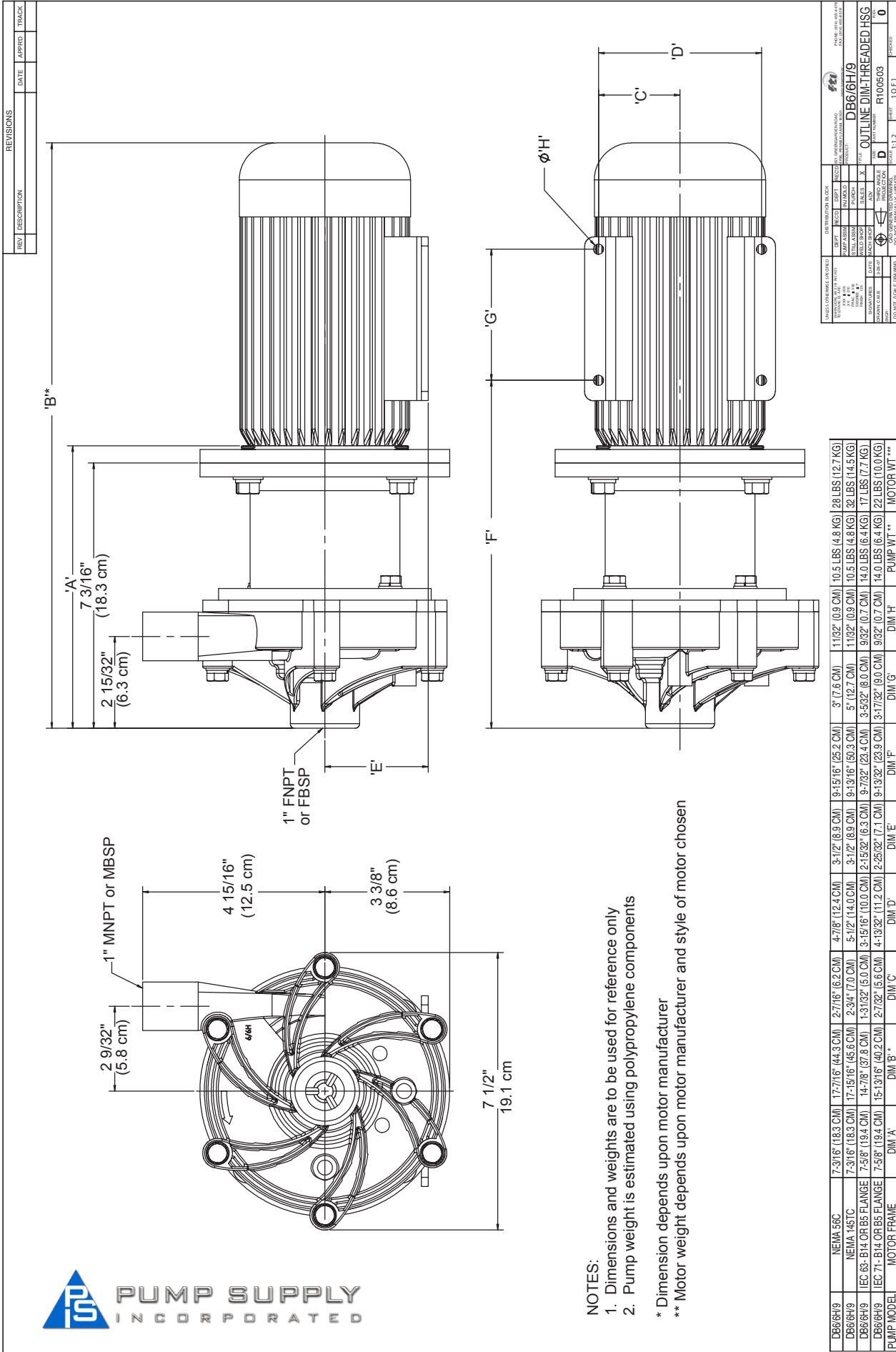
PUMP SUPPLY
INCORPORATED

NOTE: DIMENSIONS ARE TO BE USED FOR REFERENCE ONLY

UNLESS OTHERWISE SPECIFIED:		DIMENSIONS ARE IN INCHES		TOLERANCES UNLESS OTHERWISE SPECIFIED:		MATERIALS UNLESS OTHERWISE SPECIFIED:	
FINISH	TEXT	FINISH	TEXT	FINISH	TEXT	FINISH	TEXT
AS SUPPLIED	AS SHOWN	AS SHOWN	AS SHOWN	AS SHOWN	AS SHOWN	AS SHOWN	AS SHOWN
WELD SHOWN	WELD SHOWN	WELD SHOWN	WELD SHOWN	WELD SHOWN	WELD SHOWN	WELD SHOWN	WELD SHOWN
DATE	DATE	DATE	DATE	DATE	DATE	DATE	DATE
1-28-10	1-28-10	1-28-10	1-28-10	1-28-10	1-28-10	1-28-10	1-28-10
DESIGNED BY	DESIGNED BY	DESIGNED BY	DESIGNED BY	DESIGNED BY	DESIGNED BY	DESIGNED BY	DESIGNED BY
W. J. ...	W. J. ...	W. J. ...	W. J. ...	W. J. ...	W. J. ...	W. J. ...	W. J. ...
CHECKED BY	CHECKED BY	CHECKED BY	CHECKED BY	CHECKED BY	CHECKED BY	CHECKED BY	CHECKED BY
DATE	DATE	DATE	DATE	DATE	DATE	DATE	DATE
1-28-10	1-28-10	1-28-10	1-28-10	1-28-10	1-28-10	1-28-10	1-28-10
PROJECT	PROJECT	PROJECT	PROJECT	PROJECT	PROJECT	PROJECT	PROJECT
R100531	R100531	R100531	R100531	R100531	R100531	R100531	R100531
SCALE	SCALE	SCALE	SCALE	SCALE	SCALE	SCALE	SCALE
1:1	1:1	1:1	1:1	1:1	1:1	1:1	1:1
REV	REV	REV	REV	REV	REV	REV	REV
2	2	2	2	2	2	2	2
ISSUED BY	ISSUED BY	ISSUED BY	ISSUED BY	ISSUED BY	ISSUED BY	ISSUED BY	ISSUED BY
DATE	DATE	DATE	DATE	DATE	DATE	DATE	DATE
1-28-10	1-28-10	1-28-10	1-28-10	1-28-10	1-28-10	1-28-10	1-28-10
PROJECT	PROJECT	PROJECT	PROJECT	PROJECT	PROJECT	PROJECT	PROJECT
R100531	R100531	R100531	R100531	R100531	R100531	R100531	R100531
SCALE	SCALE	SCALE	SCALE	SCALE	SCALE	SCALE	SCALE
1:1	1:1	1:1	1:1	1:1	1:1	1:1	1:1
REV	REV	REV	REV	REV	REV	REV	REV
2	2	2	2	2	2	2	2
ISSUED BY	ISSUED BY	ISSUED BY	ISSUED BY	ISSUED BY	ISSUED BY	ISSUED BY	ISSUED BY
DATE	DATE	DATE	DATE	DATE	DATE	DATE	DATE
1-28-10	1-28-10	1-28-10	1-28-10	1-28-10	1-28-10	1-28-10	1-28-10
PROJECT	PROJECT	PROJECT	PROJECT	PROJECT	PROJECT	PROJECT	PROJECT
R100531	R100531	R100531	R100531	R100531	R100531	R100531	R100531
SCALE	SCALE	SCALE	SCALE	SCALE	SCALE	SCALE	SCALE
1:1	1:1	1:1	1:1	1:1	1:1	1:1	1:1

DBS	EC-SB	EC-SB	EC-SB	EC-SB	EC-SB	EC-SB	EC-SB	EC-SB	EC-SB	EC-SB	EC-SB	EC-SB	EC-SB	EC-SB	EC-SB	EC-SB	EC-SB	EC-SB	EC-SB	EC-SB
3.500	4.500	5.500	6.500	7.500	8.500	9.500	10.500	11.500	12.500	13.500	14.500	15.500	16.500	17.500	18.500	19.500	20.500	21.500	22.500	23.500
1.130	1.500	1.875	2.250	2.625	3.000	3.375	3.750	4.125	4.500	4.875	5.250	5.625	6.000	6.375	6.750	7.125	7.500	7.875	8.250	8.625
0.875	1.130	1.385	1.640	1.895	2.150	2.405	2.660	2.915	3.170	3.425	3.680	3.935	4.190	4.445	4.700	4.955	5.210	5.465	5.720	5.975
0.750	0.875	1.000	1.125	1.250	1.375	1.500	1.625	1.750	1.875	2.000	2.125	2.250	2.375	2.500	2.625	2.750	2.875	3.000	3.125	3.250
0.625	0.750	0.875	1.000	1.125	1.250	1.375	1.500	1.625	1.750	1.875	2.000	2.125	2.250	2.375	2.500	2.625	2.750	2.875	3.000	3.125
0.500	0.625	0.750	0.875	1.000	1.125	1.250	1.375	1.500	1.625	1.750	1.875	2.000	2.125	2.250	2.375	2.500	2.625	2.750	2.875	3.000
0.375	0.500	0.625	0.750	0.875	1.000	1.125	1.250	1.375	1.500	1.625	1.750	1.875	2.000	2.125	2.250	2.375	2.500	2.625	2.750	2.875
0.250	0.375	0.500	0.625	0.750	0.875	1.000	1.125	1.250	1.375	1.500	1.625	1.750	1.875	2.000	2.125	2.250	2.375	2.500	2.625	2.750
0.125	0.250	0.375	0.500	0.625	0.750	0.875	1.000	1.125	1.250	1.375	1.500	1.625	1.750	1.875	2.000	2.125	2.250	2.375	2.500	2.625
0.000	0.125	0.250	0.375	0.500	0.625	0.750	0.875	1.000	1.125	1.250	1.375	1.500	1.625	1.750	1.875	2.000	2.125	2.250	2.375	2.500
0.000	0.000	0.125	0.250	0.375	0.500	0.625	0.750	0.875	1.000	1.125	1.250	1.375	1.500	1.625	1.750	1.875	2.000	2.125	2.250	2.375
0.000	0.000	0.000	0.125	0.250	0.375	0.500	0.625	0.750	0.875	1.000	1.125	1.250	1.375	1.500	1.625	1.750	1.875	2.000	2.125	2.250
0.000	0.000	0.000	0.000	0.125	0.250	0.375	0.500	0.625	0.750	0.875	1.000	1.125	1.250	1.375	1.500	1.625	1.750	1.875	2.000	2.125

DB6/6H/9 Outline Dimensions - Threaded Housing (R100503)



DB6/6H/9 Outline Dimensions - Union Housing (R100504)

REV	DESCRIPTION	DATE	APPRD	TRKCK

APPROVED SPECIFICATIONS	DESIGNATION	REVISED	DATE	BY	CHKD	APPD

NOTES:

1. DIMENSIONS AND WEIGHTS ARE TO BE USED FOR REFERENCE ONLY.
2. PUMP WEIGHT IS ESTIMATED USING POLYPROPYLENE PUMP COMPONENTS.

* DIMENSION DEPENDS UPON MOTOR MANUFACTURER
 **MOTOR WEIGHT DEPENDS UPON MOTOR MANUFACTURER AND STYLE OF MOTOR CHOSEN.

PUMP MODEL	MOTOR FRAME	DIM 'A'	DIM 'B'	DIM 'C'	DIM 'D'	DIM 'E'	DIM 'F'	DIM 'G'	DIM 'H'	PUMP WT	MOTOR WT **
DB66H/9	NEMA 56C	8-3/8" (21.3 CM)	18-11/16" (47.5 CM)	2-7/16" (6.2 CM)	4-7/8" (12.4 CM)	3-1/2" (8.9 CM)	11-3/16" (28.4 CM)	3" (7.6 CM)	11/32" (0.9 CM)	10.5 LBS (4.8 KG)	28 LBS (12.7 KG)
DB66H/9	NEMA 145TC	8-3/8" (21.3 CM)	19-3/16" (48.7 CM)	2-3/4" (7.0 CM)	5-1/2" (14.0 CM)	3-1/2" (8.9 CM)	11-1/8" (28.3 CM)	5" (12.7 CM)	11/32" (0.9 CM)	10.5 LBS (4.8 KG)	32 LBS (14.5 KG)
DB66H/9	IEC 63-B14 OR B5 FLANGE	8-27/32" (22.5 CM)	16-1/8" (41.0 CM)	1-31/32" (5.0 CM)	3-15/16" (10.0 CM)	2-15/32" (6.3 CM)	10-45/32" (26.6 CM)	3-5/32" (6.0 CM)	9/32" (0.7 CM)	14.0 LBS (6.4 KG)	17 LBS (7.7 KG)
DB66H/9	IEC 71-B14 OR B5 FLANGE	8-27/32" (22.5 CM)	17-1/16" (43.3 CM)	2-7/32" (6.6 CM)	4-13/32" (11.2 CM)	2-25/32" (7.1 CM)	10-21/32" (27.1 CM)	3-17/32" (9.0 CM)	9/32" (0.7 CM)	14.0 LBS (6.4 KG)	22 LBS (10.0 KG)



DB6/6H/9 Outline Dimensions - Flanged Housing (R100505)

REV	DESCRIPTION	DATE	APPROV	TRACK

APPROVALS		DESIGNATION	
DATE	BY	NO.	DESCRIPTION

NOTES:

- DIMENSIONS AND WEIGHTS ARE TO BE USED FOR REFERENCE ONLY.
- PUMP WEIGHT IS ESTIMATED USING POLYPROPYLENE PUMP COMPONENTS.

* DIMENSION DEPENDS UPON MOTOR MANUFACTURER.
 ** MOTOR WEIGHT DEPENDS UPON MOTOR MANUFACTURER AND STYLE OF MOTOR CHOSEN.

PUMP MODEL	MOTOR FRAME	DIM 'A'	DIM 'B'	DIM 'C'	DIM 'D'	DIM 'E'	DIM 'F'	DIM 'G'	DIM 'H'	PUMP WT	MOTOR WT **
DB6/6H/9	NEMA 56C	8-9/16" (21.7 CM)	18-27/32" (47.8 CM)	2-7/16" (6.2 CM)	4-7/8" (12.4 CM)	3-1/2" (8.9 CM)	11-11/32" (28.7 CM)	3" (7.6 CM)	11/32" (0.9 CM)	10.5 LBS (4.8 KG)	28 LBS (12.7 KG)
DB6/6H/9	NEMA 145TC	8-9/16" (21.7 CM)	19-11/32" (49.1 CM)	2-3/4" (7.0 CM)	5-1/2" (14.0 CM)	3-1/2" (8.9 CM)	11-7/32" (28.5 CM)	5" (12.7 CM)	11/32" (0.9 CM)	10.5 LBS (4.8 KG)	32 LBS (14.5 KG)
DB6/6H/9	IEC 63-B14-OR-B5 FLANGE	9-21/32" (22.9 CM)	16-9/32" (31.3 CM)	1-31/32" (5.0 CM)	3-15/16" (10.0 CM)	2-15/32" (6.3 CM)	10-5/8" (26.9 CM)	3-5/32" (8.0 CM)	9/32" (0.7 CM)	14.0 LBS (6.4 KG)	17 LBS (7.7 KG)
DB6/6H/9	IEC 71-B14-OR-B5 FLANGE	9-21/32" (22.9 CM)	17-7/32" (43.7 CM)	2-7/32" (5.6 CM)	4-13/32" (11.2 CM)	2-25/32" (7.1 CM)	10-13/16" (127.4 CM)	3-17/32" (9.0 CM)	9/32" (0.7 CM)	14.0 LBS (6.4 KG)	22 LBS (10.0 KG)

APPROVALS		DESIGNATION	
DATE	BY	NO.	DESCRIPTION

APPROVALS		DESIGNATION	
DATE	BY	NO.	DESCRIPTION

DB8 Outline Dimensions - Threaded Housing (R100506)

REV	DESCRIPTION	DATE	APPROV	TACK

NOTES:

- DIMENSIONS AND WEIGHTS ARE TO BE USED FOR REFERENCE ONLY.
- PUMP WEIGHT IS ESTIMATED USING POLYPROPYLENE PUMP COMPONENTS.

* DIMENSION DEPENDS UPON MOTOR MANUFACTURER.
 **MOTOR WEIGHT DEPENDS UPON MOTOR MANUFACTURER AND STYLE OF MOTOR CHOSEN.

DB8	NEVA 58C	7-1/32" (17.9 CM)	17-9/32" (43.9 CM)	2-7/16" (6.2 CM)	4-7/8" (12.4 CM)	3-1/2" (8.9 CM)	9-5/32" (24.8 CM)	3" (7.6 CM)	11/32" (0.9 CM)	9-3/8" (8.6 CM)	10.5 LBS (4.8 KG)	28 LBS (12.7 KG)
DB8	NEVA 145TC	7-1/32" (17.9 CM) <td>17-25/32" (45.2 CM) <td>2-3/4" (7.0 CM) <td>5-1/2" (14.0 CM) <td>3-1/2" (8.9 CM) <td>9-2/32" (24.5 CM) <td>5" (12.7 CM) <td>11/32" (0.9 CM) <td>9-3/8" (8.6 CM) <td>10.5 LBS (4.8 KG) <td>32 LBS (14.5 KG) </td></td></td></td></td></td></td></td></td></td>	17-25/32" (45.2 CM) <td>2-3/4" (7.0 CM) <td>5-1/2" (14.0 CM) <td>3-1/2" (8.9 CM) <td>9-2/32" (24.5 CM) <td>5" (12.7 CM) <td>11/32" (0.9 CM) <td>9-3/8" (8.6 CM) <td>10.5 LBS (4.8 KG) <td>32 LBS (14.5 KG) </td></td></td></td></td></td></td></td></td>	2-3/4" (7.0 CM) <td>5-1/2" (14.0 CM) <td>3-1/2" (8.9 CM) <td>9-2/32" (24.5 CM) <td>5" (12.7 CM) <td>11/32" (0.9 CM) <td>9-3/8" (8.6 CM) <td>10.5 LBS (4.8 KG) <td>32 LBS (14.5 KG) </td></td></td></td></td></td></td></td>	5-1/2" (14.0 CM) <td>3-1/2" (8.9 CM) <td>9-2/32" (24.5 CM) <td>5" (12.7 CM) <td>11/32" (0.9 CM) <td>9-3/8" (8.6 CM) <td>10.5 LBS (4.8 KG) <td>32 LBS (14.5 KG) </td></td></td></td></td></td></td>	3-1/2" (8.9 CM) <td>9-2/32" (24.5 CM) <td>5" (12.7 CM) <td>11/32" (0.9 CM) <td>9-3/8" (8.6 CM) <td>10.5 LBS (4.8 KG) <td>32 LBS (14.5 KG) </td></td></td></td></td></td>	9-2/32" (24.5 CM) <td>5" (12.7 CM) <td>11/32" (0.9 CM) <td>9-3/8" (8.6 CM) <td>10.5 LBS (4.8 KG) <td>32 LBS (14.5 KG) </td></td></td></td></td>	5" (12.7 CM) <td>11/32" (0.9 CM) <td>9-3/8" (8.6 CM) <td>10.5 LBS (4.8 KG) <td>32 LBS (14.5 KG) </td></td></td></td>	11/32" (0.9 CM) <td>9-3/8" (8.6 CM) <td>10.5 LBS (4.8 KG) <td>32 LBS (14.5 KG) </td></td></td>	9-3/8" (8.6 CM) <td>10.5 LBS (4.8 KG) <td>32 LBS (14.5 KG) </td></td>	10.5 LBS (4.8 KG) <td>32 LBS (14.5 KG) </td>	32 LBS (14.5 KG)
DB8	EC-63-B14 OR B5 FLANGE	7-15/32" (19.0 CM) <td>14-23/32" (37.4 CM) <td>1-31/32" (5.0 CM) <td>3-15/16" (10.0 CM) <td>2-5/32" (6.3 CM) <td>9-1/16" (23.0 CM) <td>3-5/32" (6.0 CM) <td>9/32" (0.7 CM) <td>9-3/8" (8.6 CM) <td>14.0 LBS (6.4 KG) <td>17 LBS (7.7 KG) </td></td></td></td></td></td></td></td></td></td>	14-23/32" (37.4 CM) <td>1-31/32" (5.0 CM) <td>3-15/16" (10.0 CM) <td>2-5/32" (6.3 CM) <td>9-1/16" (23.0 CM) <td>3-5/32" (6.0 CM) <td>9/32" (0.7 CM) <td>9-3/8" (8.6 CM) <td>14.0 LBS (6.4 KG) <td>17 LBS (7.7 KG) </td></td></td></td></td></td></td></td></td>	1-31/32" (5.0 CM) <td>3-15/16" (10.0 CM) <td>2-5/32" (6.3 CM) <td>9-1/16" (23.0 CM) <td>3-5/32" (6.0 CM) <td>9/32" (0.7 CM) <td>9-3/8" (8.6 CM) <td>14.0 LBS (6.4 KG) <td>17 LBS (7.7 KG) </td></td></td></td></td></td></td></td>	3-15/16" (10.0 CM) <td>2-5/32" (6.3 CM) <td>9-1/16" (23.0 CM) <td>3-5/32" (6.0 CM) <td>9/32" (0.7 CM) <td>9-3/8" (8.6 CM) <td>14.0 LBS (6.4 KG) <td>17 LBS (7.7 KG) </td></td></td></td></td></td></td>	2-5/32" (6.3 CM) <td>9-1/16" (23.0 CM) <td>3-5/32" (6.0 CM) <td>9/32" (0.7 CM) <td>9-3/8" (8.6 CM) <td>14.0 LBS (6.4 KG) <td>17 LBS (7.7 KG) </td></td></td></td></td></td>	9-1/16" (23.0 CM) <td>3-5/32" (6.0 CM) <td>9/32" (0.7 CM) <td>9-3/8" (8.6 CM) <td>14.0 LBS (6.4 KG) <td>17 LBS (7.7 KG) </td></td></td></td></td>	3-5/32" (6.0 CM) <td>9/32" (0.7 CM) <td>9-3/8" (8.6 CM) <td>14.0 LBS (6.4 KG) <td>17 LBS (7.7 KG) </td></td></td></td>	9/32" (0.7 CM) <td>9-3/8" (8.6 CM) <td>14.0 LBS (6.4 KG) <td>17 LBS (7.7 KG) </td></td></td>	9-3/8" (8.6 CM) <td>14.0 LBS (6.4 KG) <td>17 LBS (7.7 KG) </td></td>	14.0 LBS (6.4 KG) <td>17 LBS (7.7 KG) </td>	17 LBS (7.7 KG)
DB8	EC-71-B14 OR B5 FLANGE	7-15/32" (19.0 CM) <td>15-21/32" (39.8 CM) <td>2-7/32" (5.6 CM) <td>4-13/32" (11.2 CM) <td>2-5/32" (6.3 CM) <td>9-1/4" (23.5 CM) <td>3-17/32" (6.0 CM) <td>9/32" (0.7 CM) <td>9-3/8" (8.6 CM) <td>14.0 LBS (6.4 KG) <td>22 LBS (10.0 KG) </td></td></td></td></td></td></td></td></td></td>	15-21/32" (39.8 CM) <td>2-7/32" (5.6 CM) <td>4-13/32" (11.2 CM) <td>2-5/32" (6.3 CM) <td>9-1/4" (23.5 CM) <td>3-17/32" (6.0 CM) <td>9/32" (0.7 CM) <td>9-3/8" (8.6 CM) <td>14.0 LBS (6.4 KG) <td>22 LBS (10.0 KG) </td></td></td></td></td></td></td></td></td>	2-7/32" (5.6 CM) <td>4-13/32" (11.2 CM) <td>2-5/32" (6.3 CM) <td>9-1/4" (23.5 CM) <td>3-17/32" (6.0 CM) <td>9/32" (0.7 CM) <td>9-3/8" (8.6 CM) <td>14.0 LBS (6.4 KG) <td>22 LBS (10.0 KG) </td></td></td></td></td></td></td></td>	4-13/32" (11.2 CM) <td>2-5/32" (6.3 CM) <td>9-1/4" (23.5 CM) <td>3-17/32" (6.0 CM) <td>9/32" (0.7 CM) <td>9-3/8" (8.6 CM) <td>14.0 LBS (6.4 KG) <td>22 LBS (10.0 KG) </td></td></td></td></td></td></td>	2-5/32" (6.3 CM) <td>9-1/4" (23.5 CM) <td>3-17/32" (6.0 CM) <td>9/32" (0.7 CM) <td>9-3/8" (8.6 CM) <td>14.0 LBS (6.4 KG) <td>22 LBS (10.0 KG) </td></td></td></td></td></td>	9-1/4" (23.5 CM) <td>3-17/32" (6.0 CM) <td>9/32" (0.7 CM) <td>9-3/8" (8.6 CM) <td>14.0 LBS (6.4 KG) <td>22 LBS (10.0 KG) </td></td></td></td></td>	3-17/32" (6.0 CM) <td>9/32" (0.7 CM) <td>9-3/8" (8.6 CM) <td>14.0 LBS (6.4 KG) <td>22 LBS (10.0 KG) </td></td></td></td>	9/32" (0.7 CM) <td>9-3/8" (8.6 CM) <td>14.0 LBS (6.4 KG) <td>22 LBS (10.0 KG) </td></td></td>	9-3/8" (8.6 CM) <td>14.0 LBS (6.4 KG) <td>22 LBS (10.0 KG) </td></td>	14.0 LBS (6.4 KG) <td>22 LBS (10.0 KG) </td>	22 LBS (10.0 KG)
DB8	EC-80-B14	7-21/32" (19.4 CM) <td>17-5/32" (43.6 CM) <td>2-15/32" (6.3 CM) <td>4-29/32" (12.5 CM) <td>3-5/32" (6.0 CM) <td>9-9/16" (24.3 CM) <td>3-15/16" (10.0 CM) <td>13/32" (1.0 CM) <td>9-3/8" (8.6 CM) <td>11.0 LBS (5.0 KG) <td>31 LBS (14.1 KG) </td></td></td></td></td></td></td></td></td></td>	17-5/32" (43.6 CM) <td>2-15/32" (6.3 CM) <td>4-29/32" (12.5 CM) <td>3-5/32" (6.0 CM) <td>9-9/16" (24.3 CM) <td>3-15/16" (10.0 CM) <td>13/32" (1.0 CM) <td>9-3/8" (8.6 CM) <td>11.0 LBS (5.0 KG) <td>31 LBS (14.1 KG) </td></td></td></td></td></td></td></td></td>	2-15/32" (6.3 CM) <td>4-29/32" (12.5 CM) <td>3-5/32" (6.0 CM) <td>9-9/16" (24.3 CM) <td>3-15/16" (10.0 CM) <td>13/32" (1.0 CM) <td>9-3/8" (8.6 CM) <td>11.0 LBS (5.0 KG) <td>31 LBS (14.1 KG) </td></td></td></td></td></td></td></td>	4-29/32" (12.5 CM) <td>3-5/32" (6.0 CM) <td>9-9/16" (24.3 CM) <td>3-15/16" (10.0 CM) <td>13/32" (1.0 CM) <td>9-3/8" (8.6 CM) <td>11.0 LBS (5.0 KG) <td>31 LBS (14.1 KG) </td></td></td></td></td></td></td>	3-5/32" (6.0 CM) <td>9-9/16" (24.3 CM) <td>3-15/16" (10.0 CM) <td>13/32" (1.0 CM) <td>9-3/8" (8.6 CM) <td>11.0 LBS (5.0 KG) <td>31 LBS (14.1 KG) </td></td></td></td></td></td>	9-9/16" (24.3 CM) <td>3-15/16" (10.0 CM) <td>13/32" (1.0 CM) <td>9-3/8" (8.6 CM) <td>11.0 LBS (5.0 KG) <td>31 LBS (14.1 KG) </td></td></td></td></td>	3-15/16" (10.0 CM) <td>13/32" (1.0 CM) <td>9-3/8" (8.6 CM) <td>11.0 LBS (5.0 KG) <td>31 LBS (14.1 KG) </td></td></td></td>	13/32" (1.0 CM) <td>9-3/8" (8.6 CM) <td>11.0 LBS (5.0 KG) <td>31 LBS (14.1 KG) </td></td></td>	9-3/8" (8.6 CM) <td>11.0 LBS (5.0 KG) <td>31 LBS (14.1 KG) </td></td>	11.0 LBS (5.0 KG) <td>31 LBS (14.1 KG) </td>	31 LBS (14.1 KG)
DB8	EC-80-B5	7-21/32" (19.4 CM) <td>17-5/32" (43.6 CM) <td>2-15/32" (6.3 CM) <td>4-29/32" (12.5 CM) <td>3-5/32" (6.0 CM) <td>9-9/16" (24.3 CM) <td>3-15/16" (10.0 CM) <td>13/32" (1.0 CM) <td>9-3/8" (8.6 CM) <td>16.5 LBS (7.5 KG) <td>31 LBS (14.1 KG) </td></td></td></td></td></td></td></td></td></td>	17-5/32" (43.6 CM) <td>2-15/32" (6.3 CM) <td>4-29/32" (12.5 CM) <td>3-5/32" (6.0 CM) <td>9-9/16" (24.3 CM) <td>3-15/16" (10.0 CM) <td>13/32" (1.0 CM) <td>9-3/8" (8.6 CM) <td>16.5 LBS (7.5 KG) <td>31 LBS (14.1 KG) </td></td></td></td></td></td></td></td></td>	2-15/32" (6.3 CM) <td>4-29/32" (12.5 CM) <td>3-5/32" (6.0 CM) <td>9-9/16" (24.3 CM) <td>3-15/16" (10.0 CM) <td>13/32" (1.0 CM) <td>9-3/8" (8.6 CM) <td>16.5 LBS (7.5 KG) <td>31 LBS (14.1 KG) </td></td></td></td></td></td></td></td>	4-29/32" (12.5 CM) <td>3-5/32" (6.0 CM) <td>9-9/16" (24.3 CM) <td>3-15/16" (10.0 CM) <td>13/32" (1.0 CM) <td>9-3/8" (8.6 CM) <td>16.5 LBS (7.5 KG) <td>31 LBS (14.1 KG) </td></td></td></td></td></td></td>	3-5/32" (6.0 CM) <td>9-9/16" (24.3 CM) <td>3-15/16" (10.0 CM) <td>13/32" (1.0 CM) <td>9-3/8" (8.6 CM) <td>16.5 LBS (7.5 KG) <td>31 LBS (14.1 KG) </td></td></td></td></td></td>	9-9/16" (24.3 CM) <td>3-15/16" (10.0 CM) <td>13/32" (1.0 CM) <td>9-3/8" (8.6 CM) <td>16.5 LBS (7.5 KG) <td>31 LBS (14.1 KG) </td></td></td></td></td>	3-15/16" (10.0 CM) <td>13/32" (1.0 CM) <td>9-3/8" (8.6 CM) <td>16.5 LBS (7.5 KG) <td>31 LBS (14.1 KG) </td></td></td></td>	13/32" (1.0 CM) <td>9-3/8" (8.6 CM) <td>16.5 LBS (7.5 KG) <td>31 LBS (14.1 KG) </td></td></td>	9-3/8" (8.6 CM) <td>16.5 LBS (7.5 KG) <td>31 LBS (14.1 KG) </td></td>	16.5 LBS (7.5 KG) <td>31 LBS (14.1 KG) </td>	31 LBS (14.1 KG)
PUMP MODEL	MOTOR FRAME	DM/A	DM/B*	DM/C	DM/D	DM/E	DM/F	DM/G	DIA H	DM'I	PUMP WT	MOTOR WT**

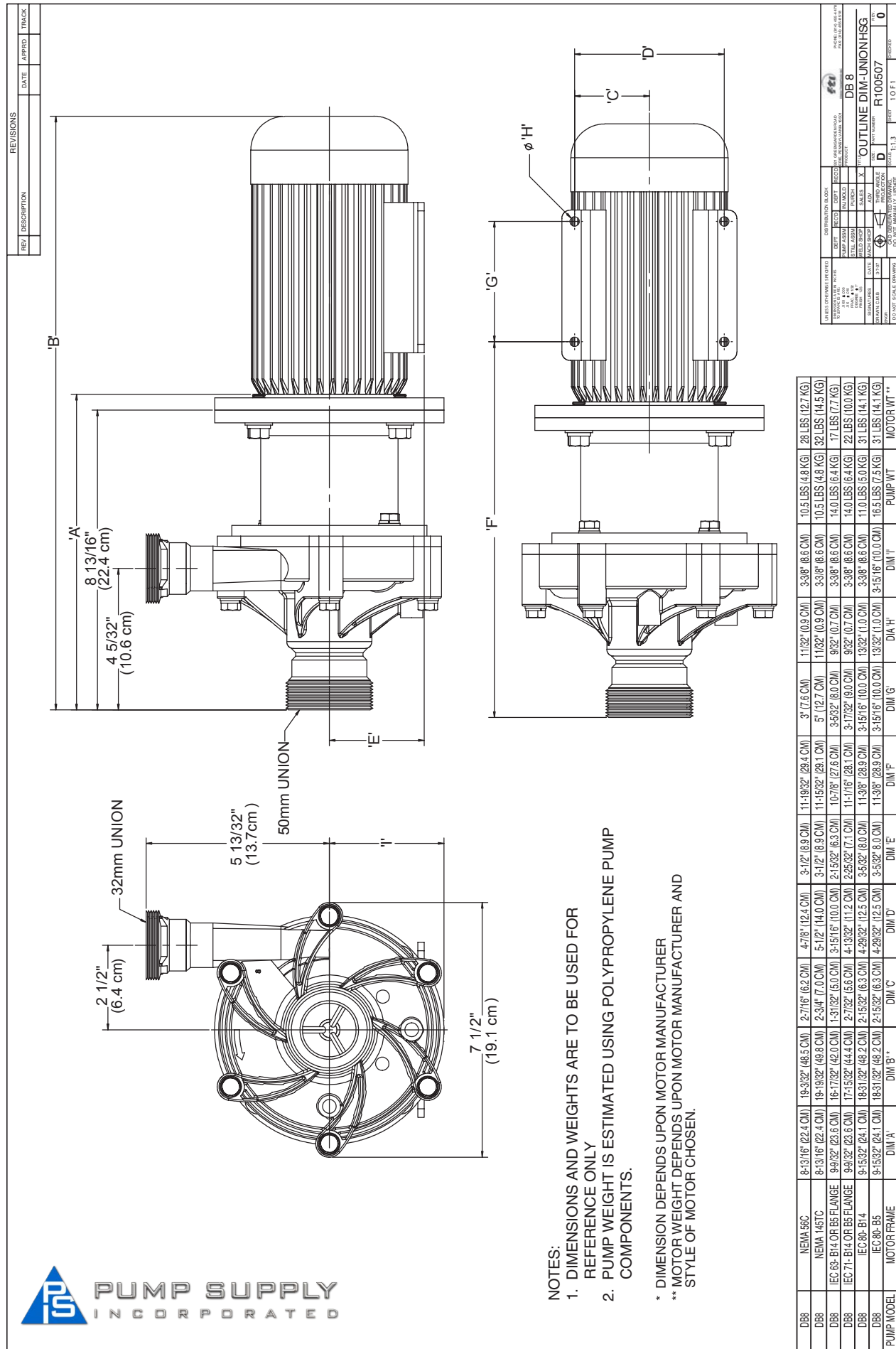
REV	DESCRIPTION	DATE	APPROV	TACK

MANUFACTURER'S SPECIFICATIONS	MANUFACTURER'S PART NUMBER	MANUFACTURER'S PART NUMBER	MANUFACTURER'S PART NUMBER	MANUFACTURER'S PART NUMBER

DISTRIBUTION BLOCK	DEPT	OFFICE	PHONE	FAX	EMAIL

DB8	OUTLINE DIM-THREADED HSG	REV	DATE	BY	CHKD	APPD	TACK

DB8 Outline Dimensions - Union Housing (R100507)



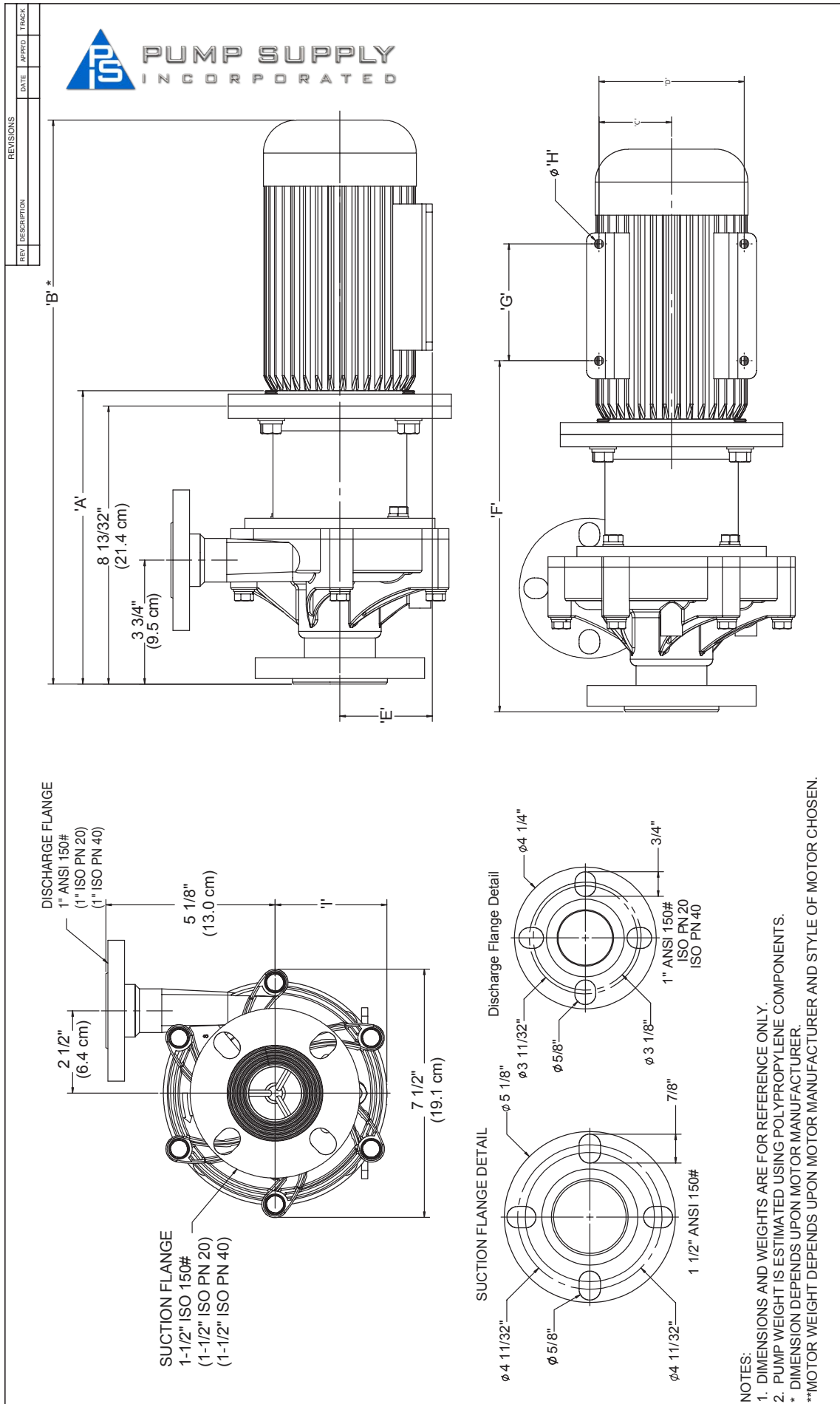
- NOTES:**
1. DIMENSIONS AND WEIGHTS ARE TO BE USED FOR REFERENCE ONLY
 2. PUMP WEIGHT IS ESTIMATED USING POLYPROPYLENE PUMP COMPONENTS.

* DIMENSION DEPENDS UPON MOTOR MANUFACTURER
 ** MOTOR WEIGHT DEPENDS UPON MOTOR MANUFACTURER AND STYLE OF MOTOR CHOSEN.

PUMP MODEL	MOTOR FRAME	DIM 'A'	DIM 'B'	DIM 'C'	DIM 'D'	DIM 'E'	DIM 'F'	DIM 'G'	DIA 'H'	DIM 'I'	PUMP WT	MOTOR WT **
DB8	NEMA 56C	8-13/16" (22.4 CM)	19-3/32" (48.5 CM)	2-7/16" (6.2 CM)	4-7/8" (12.4 CM)	3-1/2" (8.9 CM)	11-19/32" (29.4 CM)	3"- (7.6 CM)	11/32" (0.9 CM)	3-3/8" (8.6 CM)	10.5 LBS (4.8 KG)	28 LBS (12.7 KG)
DB8	NEMA 145TC	8-13/16" (22.4 CM)	19-19/32" (48.8 CM)	2-3/4" (7.0 CM)	5-1/2" (14.0 CM)	3-1/2" (8.9 CM)	11-15/32" (29.1 CM)	5" (12.7 CM)	11/32" (0.9 CM)	3-3/8" (8.6 CM)	10.5 LBS (4.8 KG)	32 LBS (14.5 KG)
DB8	IEC 63-B14 OR B5 FLANGE	9-9/32" (23.6 CM)	16-17/32" (42.0 CM)	1-31/32" (5.0 CM)	3-15/16" (10.0 CM)	2-15/32" (6.3 CM)	10-7/8" (27.6 CM)	5-5/32" (8.0 CM)	9/32" (0.7 CM)	3-3/8" (8.6 CM)	14.0 LBS (6.4 KG)	17 LBS (7.7 KG)
DB8	IEC 71-B14 OR B5 FLANGE	9-9/32" (23.6 CM)	17-15/32" (44.4 CM)	2-7/32" (5.6 CM)	4-13/32" (11.2 CM)	2-25/32" (7.7 CM)	11-1/8" (28.1 CM)	3-17/32" (9.0 CM)	9/32" (0.7 CM)	3-3/8" (8.6 CM)	14.0 LBS (6.4 KG)	22 LBS (10.0 KG)
DB8	IEC 80-B14	9-15/32" (24.1 CM)	18-31/32" (46.2 CM)	2-15/32" (6.3 CM)	4-29/32" (12.5 CM)	3-5/32" (8.0 CM)	11-3/8" (28.9 CM)	3-15/16" (10.0 CM)	13/32" (1.0 CM)	3-3/8" (8.6 CM)	11.0 LBS (5.0 KG)	31 LBS (14.1 KG)
DB8	IEC 80-B5	9-15/32" (24.1 CM)	18-31/32" (46.2 CM)	2-15/32" (6.3 CM)	4-29/32" (12.5 CM)	3-5/32" (8.0 CM)	11-3/8" (28.9 CM)	3-15/16" (10.0 CM)	13/32" (1.0 CM)	3-15/16" (10.0 CM)	16.5 LBS (7.5 KG)	31 LBS (14.1 KG)

REVISIONS	REV	DESCRIPTION	DATE	APPROD	TRACK
DISTRIBUTION BLOCK CHECKED BY: [] DRAWN BY: [] DATE: [] SCALE: [] SHEETS: [] OF [] TITLE: OUTLINE DIM-UNIONHSG PART NUMBER: R100507 DRAWN BY: [] DATE: [] SCALE: [] SHEETS: [] OF [] TITLE: OUTLINE DIM-UNIONHSG PART NUMBER: R100507					

DB8 Outline Dimensions - Flange Housing (R100508)



REVISIONS

REV	DESCRIPTION	DATE	APPROV	TRACK

DESIGNED BY: PMS	DATE: 11/14/11	CHECKED BY: PMS	DATE: 11/14/11
DRAWN BY: PMS	CAD FILE: PMS	APPROVED BY: PMS	DATE: 11/14/11
SCALE: 1:1	TITLE: DB8	PART: DB8	DESCRIPTION: DIM-FRONT VIEW
SHEET: 1	TOTAL SHEETS: 1	REV: 0	
PUMP MODEL: DB8			
MOTOR MODEL: DB8			
PUMP SERIAL NUMBER: DB8			
MOTOR SERIAL NUMBER: DB8			
MOTOR MODEL: DB8			
PUMP SERIAL NUMBER: DB8			

DB8	8 1/2" (21.4 CM)	18 1/16" (45.5 CM)	2 7/16" (6.2 CM)	4 7/8" (12.4 CM)	3 1/2" (8.9 CM)	11 3/16" (28.4 CM)	11 3/2" (0.9 CM)	11 3/2" (0.9 CM)	3 3/8" (8.6 CM)	10.5 LBS (4.8 KG)	28 LBS (12.7 KG)
DB8	8 1/2" (21.4 CM)	18 1/16" (45.5 CM)	2 7/16" (6.2 CM)	4 7/8" (12.4 CM)	3 1/2" (8.9 CM)	11 3/16" (28.4 CM)	11 3/2" (0.9 CM)	11 3/2" (0.9 CM)	3 3/8" (8.6 CM)	10.5 LBS (4.8 KG)	28 LBS (12.7 KG)
DB8	8 1/2" (21.4 CM)	18 1/16" (45.5 CM)	2 7/16" (6.2 CM)	4 7/8" (12.4 CM)	3 1/2" (8.9 CM)	11 3/16" (28.4 CM)	11 3/2" (0.9 CM)	11 3/2" (0.9 CM)	3 3/8" (8.6 CM)	10.5 LBS (4.8 KG)	28 LBS (12.7 KG)
DB8	8 1/2" (21.4 CM)	18 1/16" (45.5 CM)	2 7/16" (6.2 CM)	4 7/8" (12.4 CM)	3 1/2" (8.9 CM)	11 3/16" (28.4 CM)	11 3/2" (0.9 CM)	11 3/2" (0.9 CM)	3 3/8" (8.6 CM)	10.5 LBS (4.8 KG)	28 LBS (12.7 KG)
DB8	8 1/2" (21.4 CM)	18 1/16" (45.5 CM)	2 7/16" (6.2 CM)	4 7/8" (12.4 CM)	3 1/2" (8.9 CM)	11 3/16" (28.4 CM)	11 3/2" (0.9 CM)	11 3/2" (0.9 CM)	3 3/8" (8.6 CM)	10.5 LBS (4.8 KG)	28 LBS (12.7 KG)
DB8	8 1/2" (21.4 CM)	18 1/16" (45.5 CM)	2 7/16" (6.2 CM)	4 7/8" (12.4 CM)	3 1/2" (8.9 CM)	11 3/16" (28.4 CM)	11 3/2" (0.9 CM)	11 3/2" (0.9 CM)	3 3/8" (8.6 CM)	10.5 LBS (4.8 KG)	28 LBS (12.7 KG)
DB8	8 1/2" (21.4 CM)	18 1/16" (45.5 CM)	2 7/16" (6.2 CM)	4 7/8" (12.4 CM)	3 1/2" (8.9 CM)	11 3/16" (28.4 CM)	11 3/2" (0.9 CM)	11 3/2" (0.9 CM)	3 3/8" (8.6 CM)	10.5 LBS (4.8 KG)	28 LBS (12.7 KG)
DB8	8 1/2" (21.4 CM)	18 1/16" (45.5 CM)	2 7/16" (6.2 CM)	4 7/8" (12.4 CM)	3 1/2" (8.9 CM)	11 3/16" (28.4 CM)	11 3/2" (0.9 CM)	11 3/2" (0.9 CM)	3 3/8" (8.6 CM)	10.5 LBS (4.8 KG)	28 LBS (12.7 KG)

- NOTES:
1. DIMENSIONS AND WEIGHTS ARE FOR REFERENCE ONLY
 2. PUMP WEIGHT IS ESTIMATED USING POLYPROPYLENE COMPONENTS.
 - * DIMENSION DEPENDS UPON MOTOR MANUFACTURER.
 - **MOTOR WEIGHT DEPENDS UPON MOTOR MANUFACTURER AND STYLE OF MOTOR CHOSEN.

DB7/10 Outline Dimensions - Threaded Housing (R100509)

DB7/10	NEMA 56C	7-332 (18.0 CM)	17-1132 (44.1 CM)	2-716 (6.2 CM)	4-78 (12.4 CM)	3-12 (8.9 CM)	9-2732 (25.0 CM)	3-7.6 CM	1-132 (0.9 CM)	3-38 (8.6 CM)	10.5 LBS (4.8 KG)	38 LBS (12.7 KG)
DB7/10	NEMA 145TC	7-332 (18.0 CM)	17-2732 (45.3 CM)	2-34 (0 CM)	5-12 (14.0 CM)	3-12 (8.9 CM)	9-2532 (24.7 CM)	5 (12.7 CM)	1-132 (0.9 CM)	3-38 (8.6 CM)	10.5 LBS (4.8 KG)	32 LBS (14.5 KG)
DB7/10	IEC 63-B14 OR B5 FLANGE	7-1732 (19.1 CM)	14-2532 (37.5 CM)	1-3132 (0 CM)	3-1516 (10.0 CM)	2-1532 (6.3 CM)	9-18 (23.2 CM)	3-532 (8.0 CM)	3-32 (0.7 CM)	3-38 (8.6 CM)	14.0 LBS (6.4 KG)	17 LBS (7.7 KG)
DB7/10	IEC 71-B14 OR B5 FLANGE	7-1732 (19.1 CM)	15-2332 (39.9 CM)	2-732 (5.6 CM)	4-1332 (11.2 CM)	2-2532 (7.1 CM)	9-516 (23.7 CM)	3-1732 (9.0 CM)	3-32 (0.7 CM)	3-38 (8.6 CM)	14.0 LBS (6.4 KG)	22 LBS (10.0 KG)
DB7/10	IEC 90-B14	7-2332 (19.6 CM)	17-732 (43.7 CM)	2-1532 (6.3 CM)	4-2932 (12.5 CM)	3-532 (8.0 CM)	9-58 (24.4 CM)	3-1516 (10.0 CM)	1332 (11.0 CM)	3-38 (8.6 CM)	11.0 LBS (5.0 KG)	31 LBS (14.1 KG)
DB7/10	IEC 90-B5	7-2332 (19.6 CM)	17-732 (43.7 CM)	2-1532 (6.3 CM)	4-2932 (12.5 CM)	3-532 (8.0 CM)	9-58 (24.4 CM)	3-1516 (10.0 CM)	1332 (11.0 CM)	3-38 (8.6 CM)	16.5 LBS (7.5 KG)	31 LBS (14.1 KG)
DB7/10	IEC 90-B14	7-2332 (19.6 CM)	17-732 (43.7 CM)	2-34 (0 CM)	5-12 (14.0 CM)	3-1732 (9.0 CM)	9-78 (25.1 CM)	3-1516 (10.0 CM)	1332 (11.0 CM)	3-38 (8.6 CM)	11.0 LBS (5.0 KG)	37.5 LBS (17.0 KG)
DB7/10	IEC 90-B5	7-2332 (19.6 CM)	17-732 (43.7 CM)	2-34 (0 CM)	5-12 (14.0 CM)	3-1732 (9.0 CM)	9-78 (25.1 CM)	3-1516 (10.0 CM)	1332 (11.0 CM)	3-38 (8.6 CM)	16.5 LBS (7.5 KG)	37.5 LBS (17.0 KG)
PUMP MODEL	MOTOR FRAME	DIM 'A'	DIM 'B'	DIM 'C'	DIM 'D'	DIM 'E'	DIM 'F'	DIM 'G'	DIA 'H'	DIM 'I'	PUMP WT	MOTOR WT **

NOTES:

- DIMENSIONS AND WEIGHTS ARE FOR REFERENCE ONLY.
- PUMP WEIGHT IS ESTIMATED USING POLYPROPYLENE COMPONENTS.

* DIMENSION DEPENDS UPON MOTOR MANUFACTURER AND STYLE
 **MOTOR WEIGHT DEPENDS UPON MOTOR MANUFACTURER AND STYLE OF MOTOR CHOSEN.

REVISIONS	DATE	APPROD	TRACK

DB7/10 R100509	DB7/10 R100509	DB7/10 R100509
-------------------	-------------------	-------------------

DB7/10 Outline Dimensions - Union Housing (R100510)

REV.	DESCRIPTION	DATE	APPRD.	TRKCK.

NOTES:
 1. DIMENSIONS AND WEIGHTS ARE FOR REFERENCE ONLY.
 2. PUMP WEIGHT IS ESTIMATED USING POLYPROPYLENE COMPONENTS.
 * DIMENSION DEPENDS UPON MOTOR MANUFACTURER.
 ** MOTOR WEIGHT DEPENDS UPON MOTOR MANUFACTURER AND STYLE OF MOTOR CHOSEN.

PUMP MODEL	MOTOR FRAME	DIM 'A'	DIM 'B'	DIM 'C'	DIM 'D'	DIM 'E'	DIM 'F'	DIM 'G'	DIM 'H'	DIM 'I'	PUMP WT	MOTOR WT **	WEIGHTS (LBS / KG)	
													PUMP	MOTOR
DB7/10	NEMA 56C	8-11/16" (22.1 CM)	18-15/16" (48.1 CM)	2-7/16" (6.2 CM)	4-7/8" (12.4 CM)	3-1/2" (8.9 CM)	11-7/16" (29.1 CM)	3" (7.6 CM)	11/32" (0.9 CM)	3-3/8" (8.6 CM)	10.5 LBS (4.8 KG)	28 LBS (12.7 KG)	10.5 LBS (4.8 KG)	28 LBS (12.7 KG)
DB7/10	NEMA 145TC	8-11/16" (22.1 CM)	19-7/16" (49.4 CM)	2-3/4" (7.0 CM)	5-1/2" (14.0 CM)	3-1/2" (8.9 CM)	11-5/16" (28.7 CM)	5" (12.7 CM)	11/32" (0.9 CM)	3-3/8" (8.6 CM)	10.5 LBS (4.8 KG)	32 LBS (14.5 KG)	10.5 LBS (4.8 KG)	32 LBS (14.5 KG)
DB7/10	IEC 63-B14 OR B5 FLANGE	9-1/8" (23.2 CM)	16-3/8" (41.6 CM)	1-31/32" (5.0 CM)	3-15/16" (10.0 CM)	2-15/32" (6.3 CM)	10-23/32" (27.2 CM)	3-5/32" (6.0 CM)	9/32" (0.7 CM)	3-3/8" (8.6 CM)	14.0 LBS (6.4 KG)	17 LBS (7.7 KG)	14.0 LBS (6.4 KG)	17 LBS (7.7 KG)
DB7/10	IEC 71-B14 OR B5 FLANGE	9-1/8" (23.2 CM)	17-5/32" (44.0 CM)	2-7/32" (5.6 CM)	4-19/32" (11.2 CM)	2-25/32" (7.1 CM)	10-29/32" (27.7 CM)	3-17/32" (6.0 CM)	9/32" (0.7 CM)	3-3/8" (8.6 CM)	14.0 LBS (6.4 KG)	22 LBS (10.0 KG)	14.0 LBS (6.4 KG)	22 LBS (10.0 KG)
DB7/10	IEC 80-B14	9-5/16" (23.7 CM)	18-13/16" (47.8 CM)	2-15/32" (6.3 CM)	4-29/32" (12.5 CM)	3-5/32" (8.0 CM)	11-7/32" (28.5 CM)	3-15/16" (10.0 CM)	13/32" (1.0 CM)	3-15/16" (10.0 CM)	11.0 LBS (5.0 KG)	31 LBS (14.1 KG)	11.0 LBS (5.0 KG)	31 LBS (14.1 KG)
DB7/10	IEC 80-B5	9-5/16" (23.7 CM)	18-13/16" (47.8 CM)	2-15/32" (6.3 CM)	4-29/32" (12.5 CM)	3-5/32" (8.0 CM)	11-7/32" (28.5 CM)	3-15/16" (10.0 CM)	13/32" (1.0 CM)	3-15/16" (10.0 CM)	11.0 LBS (5.0 KG)	31 LBS (14.1 KG)	11.0 LBS (5.0 KG)	31 LBS (14.1 KG)
DB7/10	IEC 90-B14	9-5/16" (23.7 CM)	18-13/16" (47.8 CM)	2-3/4" (7.0 CM)	5-1/2" (14.0 CM)	3-17/32" (9.0 CM)	11-5/32" (29.1 CM)	3-15/16" (10.0 CM)	13/32" (1.0 CM)	3-3/8" (8.6 CM)	11.0 LBS (5.0 KG)	37.5 LBS (17.0 KG)	11.0 LBS (5.0 KG)	37.5 LBS (17.0 KG)
DB7/10	IEC 90-B5	9-5/16" (23.7 CM)	18-13/16" (47.8 CM)	2-3/4" (7.0 CM)	5-1/2" (14.0 CM)	3-17/32" (9.0 CM)	11-5/32" (29.1 CM)	3-15/16" (10.0 CM)	13/32" (1.0 CM)	3-15/16" (10.0 CM)	16.5 LBS (7.5 KG)	37.5 LBS (17.0 KG)	16.5 LBS (7.5 KG)	37.5 LBS (17.0 KG)



DB7/10 Outline Dimensions - Flange Housing (R100512)

REV	DESCRIPTION	DATE	APPROV	TRACK

DISCHARGE FLANGE
1 1/2" ISO 150#
(1 1/2" ISO PN20)
(1 1/2" ISO PN40)

SUCTION FLANGE
1 1/2" ISO 150#
(1 1/2" ISO PN20)
(1 1/2" ISO PN40)

SUCTION & DISCHARGE FLANGE DETAIL
1 1/2" ISO 150#
(1 1/2" ISO PN20)
(1 1/2" ISO PN40)

NOTES:
1. DIMENSIONS AND WEIGHTS ARE FOR REFERENCE ONLY.
2. PUMP WEIGHT IS ESTIMATED USING POLYPROPYLENE COMPONENTS.
* DIMENSION DEPENDS UPON MOTOR MANUFACTURER.
**MOTOR WEIGHT DEPENDS UPON MOTOR MANUFACTURER AND STYLE OF MOTOR CHOSEN.

PUMP MODEL	MOTOR FRAME	DIM 'A'	DIM 'B'	DIM 'C'	DIM 'D'	DIM 'E'	DIM 'F'	DIM 'G'	DIM 'H'	DIM 'I'	PUMP WT	MOTOR WT **
DB7/10	NEMA 56C	8-1/2" (21.6 CM)	18-3/4" (47.6 CM)	2-7/16" (6.2 CM)	4-7/8" (12.4 CM)	11-1/4" (28.6 CM)	3-1/2" (8.9 CM)	3-3/8" (8.6 CM)	11/32" (0.9 CM)	3-3/8" (8.6 CM)	10.5 LBS (4.8 KG)	28 LBS (12.7 KG)
DB7/10	NEMA 145TC	8-1/2" (21.6 CM)	18-1/4" (46.9 CM)	2-3/4" (7.0 CM)	5-1/2" (14.0 CM)	11-1/8" (28.3 CM)	3-1/2" (8.9 CM)	3-3/8" (8.6 CM)	11/32" (0.9 CM)	3-3/8" (8.6 CM)	10.5 LBS (4.8 KG)	32 LBS (14.5 KG)
DB7/10	IEC 63-B14 OR B5 FLANGE	8-15/16" (22.7 CM)	18-3/16" (47.1 CM)	3-1/8" (7.6 CM)	5-1/8" (14.3 CM)	10-7/8" (27.3 CM)	3-5/8" (9.3 CM)	3-3/8" (8.6 CM)	9/32" (0.7 CM)	3-3/8" (8.6 CM)	14.0 LBS (6.4 KG)	37 LBS (17.1 KG)
DB7/10	IEC 71-B14 OR B5 FLANGE	8-15/16" (22.7 CM)	17-1/8" (43.5 CM)	2-7/8" (7.3 CM)	4-13/16" (11.2 CM)	10-23/32" (27.2 CM)	3-17/32" (9.0 CM)	3-3/8" (8.6 CM)	9/32" (0.7 CM)	3-3/8" (8.6 CM)	14.0 LBS (6.4 KG)	37 LBS (17.1 KG)
DB7/10	IEC 80-B14	9-1/8" (23.2 CM)	18-5/8" (47.3 CM)	3-1/2" (8.9 CM)	4-29/32" (13.5 CM)	11-1/8" (28.9 CM)	3-5/8" (9.3 CM)	3-3/8" (8.6 CM)	1/8" (0.3 CM)	3-3/8" (8.6 CM)	14.0 LBS (6.4 KG)	37 LBS (17.1 KG)
DB7/10	IEC 90-B5	9-1/8" (23.2 CM)	18-5/8" (47.3 CM)	3-1/2" (8.9 CM)	4-29/32" (13.5 CM)	11-1/8" (28.9 CM)	3-5/8" (9.3 CM)	3-3/8" (8.6 CM)	1/8" (0.3 CM)	3-3/8" (8.6 CM)	14.0 LBS (6.4 KG)	37 LBS (17.1 KG)
DB7/10	IEC 80-B14	9-1/8" (23.2 CM)	18-5/8" (47.3 CM)	2-3/4" (7.0 CM)	5-1/2" (14.0 CM)	11-29/32" (28.7 CM)	3-17/32" (9.0 CM)	3-15/16" (10.0 CM)	1/8" (0.3 CM)	3-15/16" (10.0 CM)	16.5 LBS (7.5 KG)	37 LBS (17.1 KG)
DB7/10	IEC 90-B5	9-1/8" (23.2 CM)	18-5/8" (47.3 CM)	2-3/4" (7.0 CM)	5-1/2" (14.0 CM)	11-29/32" (28.7 CM)	3-17/32" (9.0 CM)	3-15/16" (10.0 CM)	1/8" (0.3 CM)	3-15/16" (10.0 CM)	16.5 LBS (7.5 KG)	37 LBS (17.1 KG)

REVISIONS	DATE	APPROV	TRACK

IL - (847) 841-7867

PumpSupplyInc.com

MN - (651) 758-7867

DB11/15 OUTLINE DIMENSIONS - THREADED HOUSING (R100422)

4 7/8" (124mm)
3 5/16" (84mm)
5 3/4" (146mm)
5" (127mm)
4 11/32" (110mm)
8 21/32" (220mm)
9 23/32" (247mm)

3" (76.2mm)
8 17/32" (217mm)
1.5" MNPT OR MBSP
2" FNPT or FBSP
13 17/32" (344mm)
11 3/8" (289mm)
5 3/8" (137mm)
1 3/2" (28mm)
1/2" (13mm)
φ 1/2" (13mm)
φ 3/8" (9.5mm)

DB11/15	NEMA 56C FR.	8 17/32" (217mm)	20 17/32" (521mm)	3-3/4" (95mm)	7-1/2" (191mm)	27 lbs (12.2 kg)	31 lbs (14 kg)
DB11/15	NEMA 145 FR.	8 17/32" (217mm)	18 29/32" (480mm)	3-3/4" (95mm)	7-1/2" (191mm)	27 lbs (12.2 kg)	45 lbs (20 kg)
DB11/15	NEMA 184FR.	9 13/32" (239mm)	22 6/32" (564mm)	3-3/4" (95mm)	7-1/2" (191mm)	27 lbs (12.2 kg)	84 lbs (38 kg)
DB11/15	IEC 80 FR.	9 5/32" (233mm)	19 11/16" (500mm)	3-3/4" (95mm)	7-1/2" (191mm)	27 lbs (12.2 kg)	35 lbs (16 kg)
DB11/15	IEC 90 FR.	9 5/32" (233mm)	19 7/8" (505mm)	3-3/4" (95mm)	7-1/2" (191mm)	27 lbs (12.2 kg)	50 lbs (23 kg)
DB11/15	EC 100 FR.	9 7/32" (234mm)	21 3/8" (543mm)	3-5/32" (80mm)	6-10/32" (160mm)	27 lbs (12.2 kg)	70 lbs (32 kg)
DB11/15	EC 112 FR.	9 7/32" (234mm)	21 7/8" (556mm)	3-3/4" (95mm)	7-1/2" (191mm)	27 lbs (12.2 kg)	88 lbs (40 kg)
PUMP MODEL	MOTOR FRAME	DM 'A'	DM B *	DM C	DM 'D'	PUMP WT.	MOTOR WT.**

- NOTES:
 1. ALL WEIGHTS ARE ESTIMATED AND FOR REFERENCE ONLY.
 2. PUMP WEIGHT IS ESTIMATED USING POLYPROPYLENE PUMP COMPONENTS.

* DIMENSION DEPENDS UPON MOTOR MANUFACTURER AND STYLE OF MOTOR USED.
 ** MOTOR WEIGHT DEPENDS UPON MOTOR MANUFACTURER AND STYLE OF MOTOR USED.



REV.	DESCRIPTION	DATE	APPROV.	TRACK

DATE OF OTHER REVISED PARTS		DISTRIBUTION BLOCK		PUMP WEIGHT (LBS)		PUMP WEIGHT (KG)	
REV. #	DATE	REV. #	DATE	REV. #	DATE	REV. #	DATE
1	01/11/05	1	01/11/05	1	01/11/05	1	01/11/05
PUMP MODEL				PUMP WEIGHT (LBS)			
DB11/15				27			
MOTOR FRAME				MOTOR WEIGHT (LBS)			
R100422				45			
PUMP MODEL				PUMP WEIGHT (KG)			
DB11/15				12.2			
MOTOR FRAME				MOTOR WEIGHT (KG)			
R100422				20			
PUMP MODEL				PUMP WEIGHT (KG)			
DB11/15				14			

DB11/15 OUTLINE DIMENSIONS - UNION HOUSING (R100424)

REV	DESCRIPTION	DATE	APPROV	TRACK

LINE NO	DESCRIPTION	DATE	BY	CHKD

NOTES:

1. ALL WEIGHTS ARE ESTIMATED AND FOR REFERENCE ONLY.
2. PUMP WEIGHT IS ESTIMATED USING POLYPROPYLENE PUMP COMPONENTS.

* DIMENSION DEPENDS UPON MOTOR MANUFACTURER.
 ** MOTOR WEIGHT DEPENDS UPON MOTOR MANUFACTURER AND STYLE OF MOTOR USED.

PUMP MODEL	MOTOR FRAME	DIM A	DIM B*	DIM C	DIM D	PUMP WT.	MOTOR WT.**
DB11/15	NEMA 56C FR.	10 1/4" (260mm)	22 1/4" (565mm)	3-3/4" (95mm)	7-1/2" (191mm)	28 lbs (12.7kg)	31 lbs (14 kg)
DB11/15	NEMA 145 FR.	10 1/4" (260mm)	20 5/8" (524mm)	3-3/4" (95mm)	7-1/2" (191mm)	28 lbs (12.7kg)	45 lbs (20 kg)
DB11/15	NEMA 184FR.	11 1/8" (282mm)	23 29/32" (607mm)	3-3/4" (95mm)	7-1/2" (191mm)	28 lbs (12.7kg)	84 lbs (38 kg)
DB11/15	IEC 80 FR.	11 1/8" (282mm)	21 13/32" (544mm)	3-3/4" (95mm)	7-1/2" (191mm)	28 lbs (12.7kg)	35 lbs (16 kg)
DB11/15	IEC 90 FR.	10 7/8" (276mm)	21 19/32" (548mm)	3-3/4" (95mm)	7-1/2" (191mm)	28 lbs (12.7kg)	50 lbs (23 kg)
DB11/15	IEC 100 FR.	10 15/16" (278mm)	23 3/32" (586mm)	3-5/32" (80mm)	6-10/32" (160mm)	28 lbs (12.7kg)	70 lbs (32 kg)
DB11/15	IEC 112 FR.	10 15/16" (278mm)	23 19/32" (599mm)	3-3/4" (95mm)	7-1/2" (191mm)	28 lbs (12.7kg)	88 lbs (40 kg)
PUMP MODEL	MOTOR FRAME	DIM A	DIM B*	DIM C	DIM D	PUMP WT.	MOTOR WT.**

REVISIONS	DATE	APPROV	TRACK

LINE NO	DESCRIPTION	DATE	BY	CHKD

REV	DESCRIPTION	DATE	APPROV	TRACK

DB11/15 OUTLINE DIMENSIONS - FLANGED HOUSING (R100423)

REVISIONS		DATE	APPROVED	TRACK
REV	DESCRIPTION			

DESIGNATION		DESCRIPTION		MATERIAL		FINISH		TOLERANCES		DIMENSIONS		UNIT	
DB11/15	OUTLINE DIM'FLANGED HSG												
DB11/15	R100423												

NOTES:

1. ALL WEIGHTS ARE ESTIMATED AND FOR REFERENCE ONLY.
2. PUMP WEIGHT IS ESTIMATED USING POLYPROPYLENE PUMP COMPONENTS.

* DIMENSION DEPENDS UPON MOTOR MANUFACTURER.
 ** MOTOR WEIGHT DEPENDS UPON MOTOR MANUFACTURER AND STYLE OF MOTOR USED.

PUMP MODEL	MOTOR FRAME	DIM 'A'	DIM 'B'	DIM 'C'	DIM 'D'	PUMP WT.	MOTOR WT.
DB11/15	NEMA 56C FR.	9 29/32" (252mm)	21 29/32" (556mm)	3 3/4" (95 mm)	7 1/2" (191 mm)	30 lbs (13.6 kg)	31 lbs (14 kg)
DB11/15	NEMA 145 FR.	9 29/32" (252mm)	20 9/32" (519mm)	3 3/4" (95 mm)	7 1/2" (191 mm)	30 lbs (13.6 kg)	45 lbs (20 kg)
DB11/15	NEMA 184FR.	10 25/32" (274 mm)	23 18/32" (598mm)	3 3/4" (95 mm)	7 1/2" (191 mm)	30 lbs (13.6 kg)	84 lbs (38 kg)
DB11/15	IEC 80 FR.	10 17/32" (267mm)	21 1/16" (535mm)	3 3/4" (95 mm)	7 1/2" (191 mm)	30 lbs (13.6 kg)	35 lbs (16 kg)
DB11/15	IEC 90 FR.	10 17/32" (267mm)	21 1/4" (540mm)	3 3/4" (95 mm)	7 1/2" (191 mm)	30 lbs (13.6 kg)	50 lbs (23 kg)
DB11/15	IEC 100 FR.	10 19/32" (269mm)	22 3/4" (586mm)	3 5/32" (80 mm)	6-10/32" (160 mm)	30 lbs (13.6 kg)	70 lbs (32 kg)
DB11/15	IEC 112 FR.	10 19/32" (269mm)	23 1/4" (591mm)	3 3/4" (95 mm)	7 1/2" (191 mm)	30 lbs (13.6 kg)	88 lbs (40 kg)



DB11/15 OUTLINE DIMENSIONS - THREADED HSG - 80-90 FR B5 (R100451)

REVISIONS	
REV	DESCRIPTION

DATE	APPROVED	TRACK

PUMP SUPPLY
INCORPORATED

NOTES:

1. ALL WEIGHTS ARE ESTIMATED AND FOR REFERENCE ONLY.
2. PUMP WEIGHT IS ESTIMATED USING POLYPROPYLENE PUMP COMPONENTS.

* DIMENSION DEPENDS UPON MOTOR MANUFACTURER.
 ** MOTOR WEIGHT DEPENDS UPON MOTOR MANUFACTURER AND STYLE OF MOTOR USED.

TABLE NUMBER (PREFIX)	TABLE NUMBER (SUFFIX)	TABLE NUMBER (TOTAL)
DB11/15	DB11/15	DB11/15

REV	DESCRIPTION	DATE	BY	CHKD	APPD

TABLE NUMBER (PREFIX)	TABLE NUMBER (SUFFIX)	TABLE NUMBER (TOTAL)
DB11/15	DB11/15	DB11/15

REV	DESCRIPTION	DATE	BY	CHKD	APPD

TABLE NUMBER (PREFIX)	TABLE NUMBER (SUFFIX)	TABLE NUMBER (TOTAL)
DB11/15	DB11/15	DB11/15

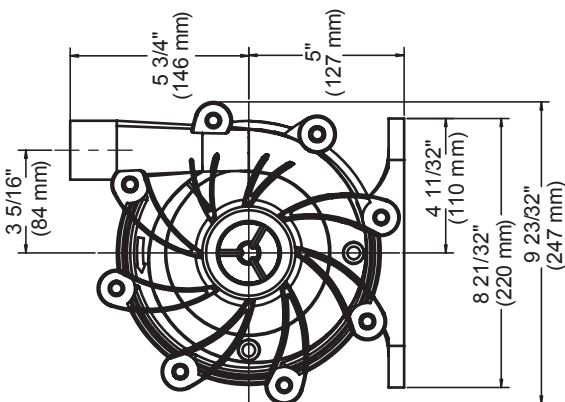
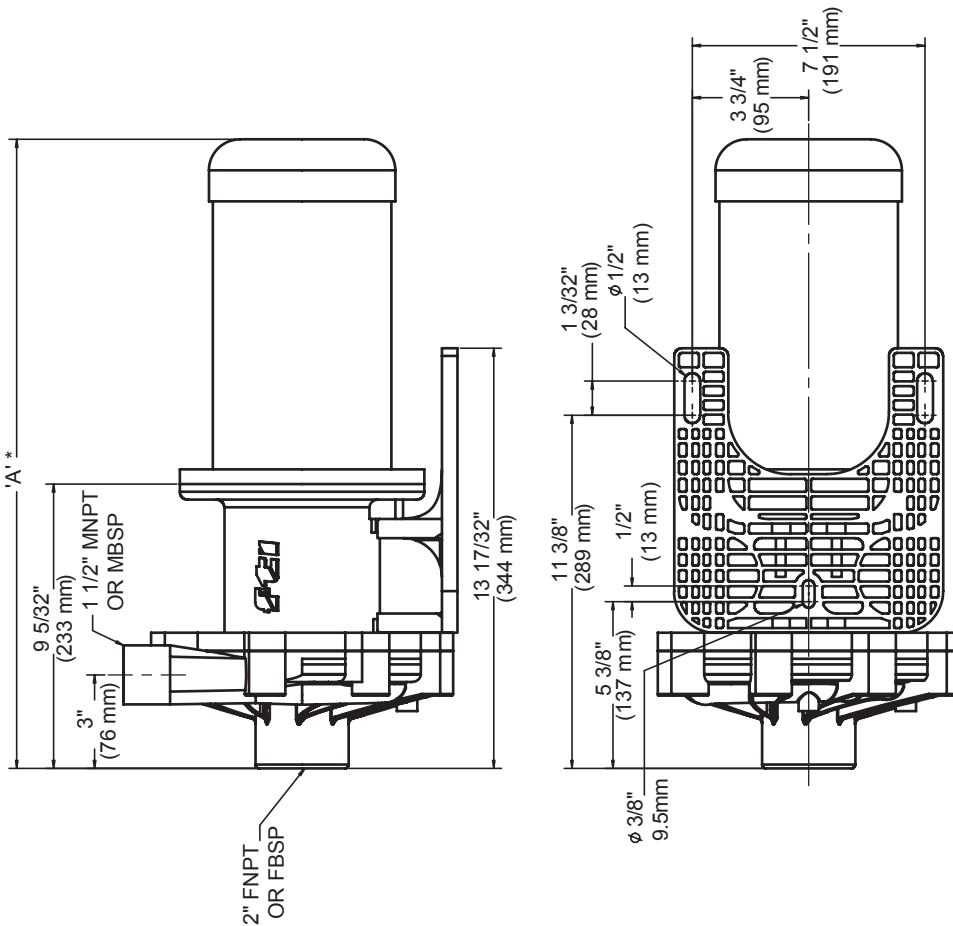
REV	DESCRIPTION	DATE	BY	CHKD	APPD

TABLE NUMBER (PREFIX)	TABLE NUMBER (SUFFIX)	TABLE NUMBER (TOTAL)
DB11/15	DB11/15	DB11/15

REV	DESCRIPTION	DATE	BY	CHKD	APPD

DB11/15 OUTLINE DIMENSIONS - UNION HSG - 80-90 FR B5 (R100452)

REVISIONS		DATE	APPROV	TRACK
REV	DESCRIPTION			



- NOTES:
 1. ALL WEIGHTS ARE ESTIMATED AND FOR REFERENCE ONLY.
 2. PUMP WEIGHT IS ESTIMATED USING POLYPROPYLENE PUMP COMPONENTS.
 * DIMENSION DEPENDS UPON MOTOR MANUFACTURER.
 ** MOTOR WEIGHT DEPENDS UPON MOTOR MANUFACTURER AND STYLE OF MOTOR USED.



DESIGNATION		REVISIONS		DATE		APPROV		TRACK	
REV	DESCRIPTION								

ITEM	DESCRIPTION	QTY	UNIT
1	80/90 FRAME B5 OUTLINE DIM	1	EA

ITEM	DESCRIPTION	QTY	UNIT
1	IEC 80 FR B5 FLANGE	20-1/4"	(514 mm)
2	IEC 90 FR B5 FLANGE	21-11/32"	(542 mm)
3	MOTOR FRAME	DIM 'A'	**
4	MOTOR WT		**

DB11/15 OUTLINE DIMENSIONS - FLANGE HSG - 80-90 FR B5 (R100453)

PUMP SUPPLY INCORPORATED

DISCHARGE FLANGE
1.5" ANSI 150#
(1.5" ISO PN20)
(1.5" ISO PN40)

SUCTION FLANGE
2" ANSI 150#
(2" ISO PN20)
(2" ISO PN40)

NOTES:

1. ALL WEIGHTS ARE ESTIMATED AND FOR REFERENCE ONLY.
2. PUMP WEIGHT IS ESTIMATED USING POLYPROPYLENE PUMP COMPONENTS.

* DIMENSION DEPENDS UPON MOTOR MANUFACTURER.

** MOTOR WEIGHT DEPENDS UPON MOTOR MANUFACTURER AND STYLE OF MOTOR USED.

DB11/15	IEC 80 FR B5 FLANGE	21-58" (549 mm)	31 lbs. (14.1 kg)	35 lbs. (16 kg)
DB11/15	IEC 90 FR B5 FLANGE	22-29/32" (579 mm)	31 lbs. (14.1 kg)	50 lbs. (23 kg)
PUMP MODEL	MOTOR FRAME	DIM A*	PUMP WT	MOTOR WT **

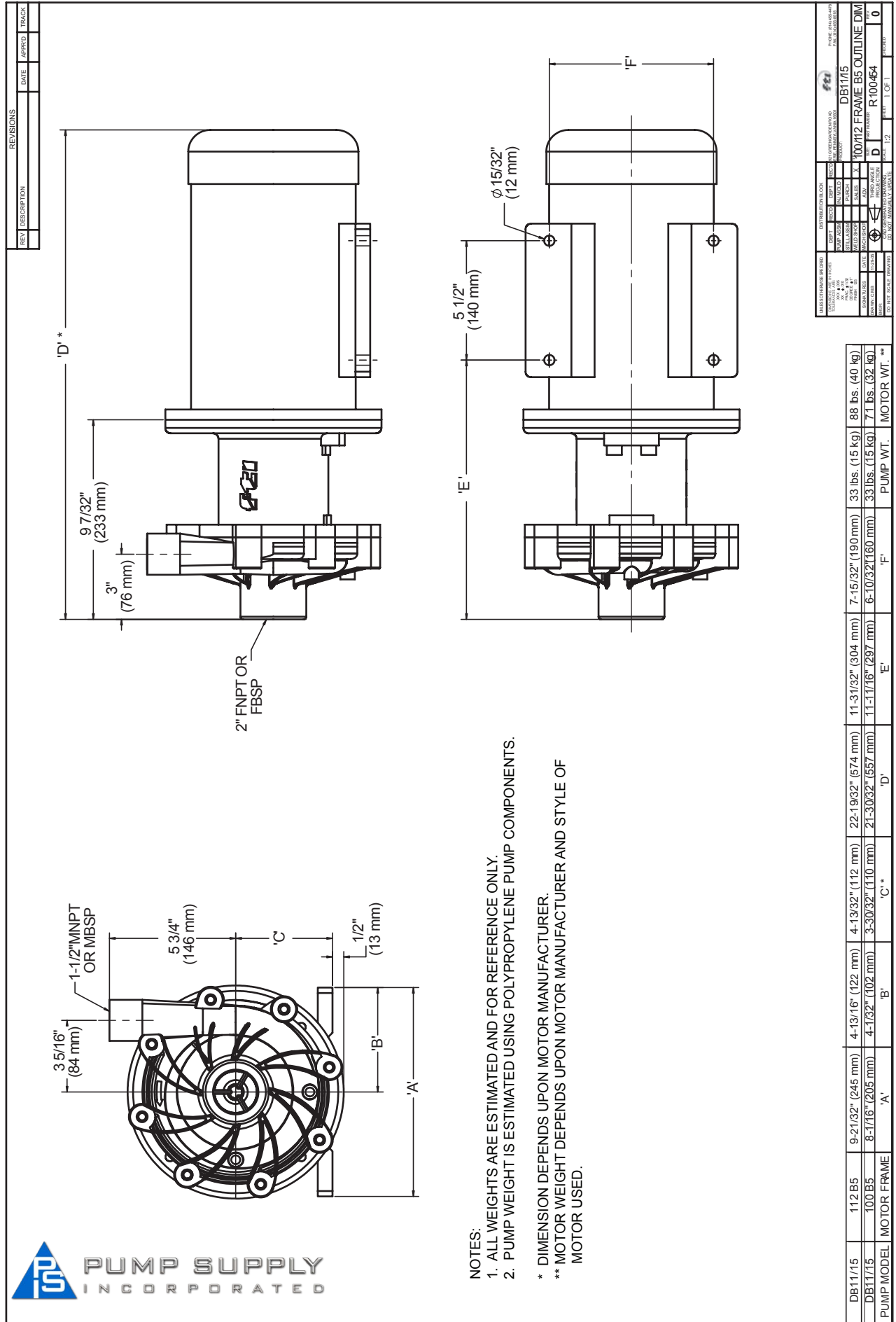
REVISIONS		DATE	APPROV	TRACK

MATERIALS		DIMENSIONS		MATERIALS		DIMENSIONS	
ITEM	DESCRIPTION	UNIT	VALUE	UNIT	VALUE	UNIT	VALUE

GENERAL INFORMATION		DRAWING INFORMATION		PROJECT INFORMATION	
ITEM	DESCRIPTION	UNIT	VALUE	UNIT	VALUE

DRAWING INFORMATION		PROJECT INFORMATION	
ITEM	DESCRIPTION	UNIT	VALUE

DB11/15 OUTLINE DIMENSIONS - THREADED HSG - 100-112 FR B5 (R100454)

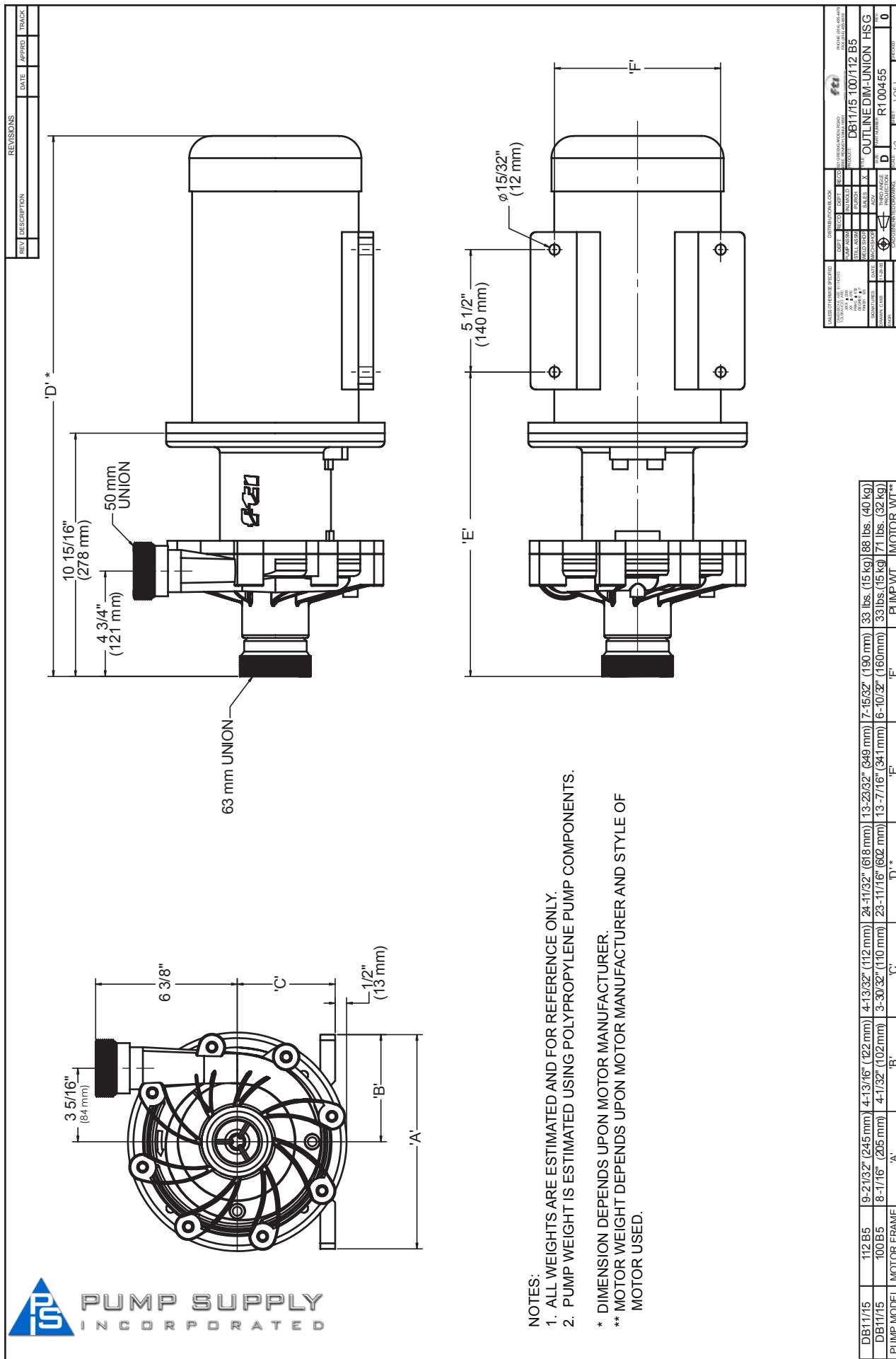


NOTES:
 1. ALL WEIGHTS ARE ESTIMATED AND FOR REFERENCE ONLY.
 2. PUMP WEIGHT IS ESTIMATED USING POLYPROPYLENE PUMP COMPONENTS.
 * DIMENSION DEPENDS UPON MOTOR MANUFACTURER.
 ** MOTOR WEIGHT DEPENDS UPON MOTOR MANUFACTURER AND STYLE OF MOTOR USED.

REVISIONS		DATE	APPROVED	TRACK
REV	DESCRIPTION			
DISTRIBUTION HISTORY		DATE	BY	
TO	FROM			
SALES	SALES			
ADJ	ADJ			
PROD	PROD			
MATERIALS		DATE	BY	
TO	FROM			
SALES	SALES			
ADJ	ADJ			
PROD	PROD			
DRAWING CHANGES		DATE	BY	
TO	FROM			
SALES	SALES			
ADJ	ADJ			
PROD	PROD			

DB11/15	112 B5	9-21/32" (245 mm)	4-13/16" (122 mm)	22-19/32" (574 mm)	11-31/32" (304 mm)	7-15/32" (190 mm)	33 lbs. (15 kg)	88 lbs. (40 kg)
DB11/15	100 B5	8-1/16" (205 mm)	4-1/32" (102 mm)	21-30/32" (557 mm)	11-11/16" (297 mm)	6-10/32" (160 mm)	33 lbs. (15 kg)	71 lbs. (32 kg)
PUMP MODEL	MOTOR FRAME	'A'	'B'	'D'	'E'	'F'	PUMP WT.	MOTOR WT. **
		'A'*	'B'	'D'	'E'	'F'		

DB11/15 OUTLINE DIMENSIONS - UNION HSG - 100-112 FR B5 (R100455)



REV. DESCRIPTION		DATE	APPRD.	TRACK										
REVISIONS														
<table border="1"> <tr> <th>DATE</th> <th>DESCRIPTION</th> <th>BY</th> <th>CHKD.</th> <th>APPD.</th> </tr> <tr> <td> </td> <td> </td> <td> </td> <td> </td> <td> </td> </tr> </table>					DATE	DESCRIPTION	BY	CHKD.	APPD.					
DATE	DESCRIPTION	BY	CHKD.	APPD.										

DESIGNER	DATE	SCALE	PROJECT

PROJECT NO.	PROJECT NAME

REV.	DESCRIPTION

DATE	BY	CHKD.	APPD.

PROJECT NO.	PROJECT NAME

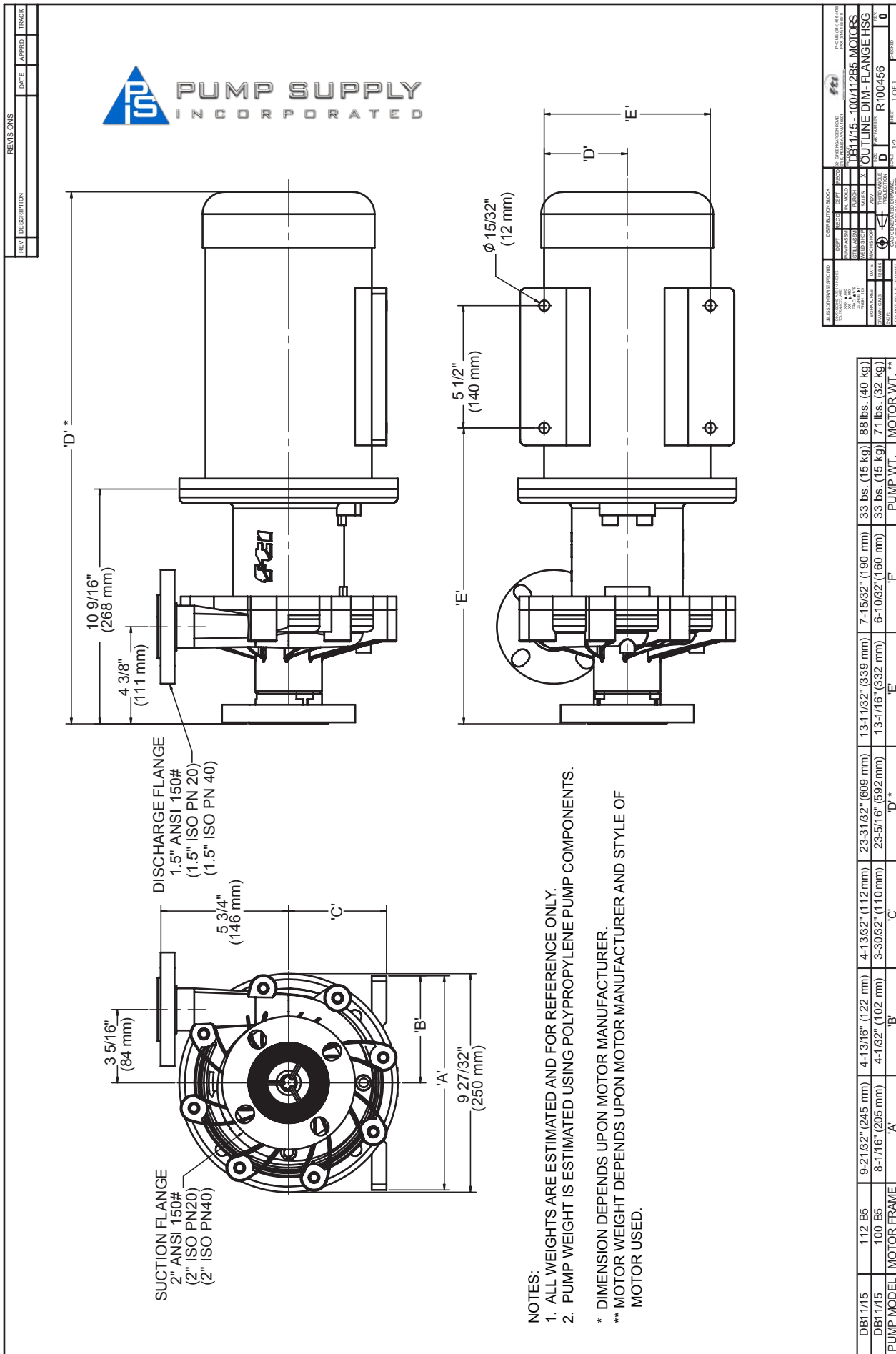
REV.	DESCRIPTION

REV.	DESCRIPTION

NOTES:
 1. ALL WEIGHTS ARE ESTIMATED AND FOR REFERENCE ONLY.
 2. PUMP WEIGHT IS ESTIMATED USING POLYPROPYLENE PUMP COMPONENTS.
 * DIMENSION DEPENDS UPON MOTOR MANUFACTURER.
 ** MOTOR WEIGHT DEPENDS UPON MOTOR MANUFACTURER AND STYLE OF MOTOR USED.

DB11/15	112 B5	9-2 1/32" (245 mm)	4-13/16" (122 mm)	4-13/32" (112 mm)	24-11/32" (618 mm)	13-23/32" (949 mm)	7-15/32" (190 mm)	33 lbs. (15 kg)	88 lbs. (40 kg)
DB11/15	100 B5	8-1/16" (205 mm)	4-7/32" (102 mm)	3-30/32" (110 mm)	23-11/16" (602 mm)	13-7/16" (341 mm)	6-70/32" (160 mm)	33 lbs. (15 kg)	71 lbs. (32 kg)
PUMP MODEL	MOTOR FRAME	'A'	'B'	'C'	'D'*	'E'	'F'	PUMP WT.	MOTOR WT.**

DB11/15 OUTLINE DIMENSIONS - FLANGE HSG - 100-112 FR B5 (R100456)



REV.	DESCRIPTION	DATE	APPROV.	TRACK

APPROVED FOR RELEASE		DATE		BY	

ITEM NO.	DESCRIPTION	QTY	UNIT
1	DB11/15 - 100/112 B5 MOTORS	1	EA
2	OUTLINE DIM - FLANGE HSG	1	EA
3	FLANGE HSG	1	EA
4	FLANGE HSG	1	EA
5	FLANGE HSG	1	EA
6	FLANGE HSG	1	EA
7	FLANGE HSG	1	EA
8	FLANGE HSG	1	EA
9	FLANGE HSG	1	EA
10	FLANGE HSG	1	EA
11	FLANGE HSG	1	EA
12	FLANGE HSG	1	EA
13	FLANGE HSG	1	EA
14	FLANGE HSG	1	EA
15	FLANGE HSG	1	EA
16	FLANGE HSG	1	EA
17	FLANGE HSG	1	EA
18	FLANGE HSG	1	EA
19	FLANGE HSG	1	EA
20	FLANGE HSG	1	EA
21	FLANGE HSG	1	EA
22	FLANGE HSG	1	EA
23	FLANGE HSG	1	EA
24	FLANGE HSG	1	EA
25	FLANGE HSG	1	EA
26	FLANGE HSG	1	EA
27	FLANGE HSG	1	EA
28	FLANGE HSG	1	EA
29	FLANGE HSG	1	EA
30	FLANGE HSG	1	EA
31	FLANGE HSG	1	EA
32	FLANGE HSG	1	EA
33	FLANGE HSG	1	EA
34	FLANGE HSG	1	EA
35	FLANGE HSG	1	EA
36	FLANGE HSG	1	EA
37	FLANGE HSG	1	EA
38	FLANGE HSG	1	EA
39	FLANGE HSG	1	EA
40	FLANGE HSG	1	EA
41	FLANGE HSG	1	EA
42	FLANGE HSG	1	EA
43	FLANGE HSG	1	EA
44	FLANGE HSG	1	EA
45	FLANGE HSG	1	EA
46	FLANGE HSG	1	EA
47	FLANGE HSG	1	EA
48	FLANGE HSG	1	EA
49	FLANGE HSG	1	EA
50	FLANGE HSG	1	EA
51	FLANGE HSG	1	EA
52	FLANGE HSG	1	EA
53	FLANGE HSG	1	EA
54	FLANGE HSG	1	EA
55	FLANGE HSG	1	EA
56	FLANGE HSG	1	EA
57	FLANGE HSG	1	EA
58	FLANGE HSG	1	EA
59	FLANGE HSG	1	EA
60	FLANGE HSG	1	EA
61	FLANGE HSG	1	EA
62	FLANGE HSG	1	EA
63	FLANGE HSG	1	EA
64	FLANGE HSG	1	EA
65	FLANGE HSG	1	EA
66	FLANGE HSG	1	EA
67	FLANGE HSG	1	EA
68	FLANGE HSG	1	EA
69	FLANGE HSG	1	EA
70	FLANGE HSG	1	EA
71	FLANGE HSG	1	EA
72	FLANGE HSG	1	EA
73	FLANGE HSG	1	EA
74	FLANGE HSG	1	EA
75	FLANGE HSG	1	EA
76	FLANGE HSG	1	EA
77	FLANGE HSG	1	EA
78	FLANGE HSG	1	EA
79	FLANGE HSG	1	EA
80	FLANGE HSG	1	EA
81	FLANGE HSG	1	EA
82	FLANGE HSG	1	EA
83	FLANGE HSG	1	EA
84	FLANGE HSG	1	EA
85	FLANGE HSG	1	EA
86	FLANGE HSG	1	EA
87	FLANGE HSG	1	EA
88	FLANGE HSG	1	EA
89	FLANGE HSG	1	EA
90	FLANGE HSG	1	EA
91	FLANGE HSG	1	EA
92	FLANGE HSG	1	EA
93	FLANGE HSG	1	EA
94	FLANGE HSG	1	EA
95	FLANGE HSG	1	EA
96	FLANGE HSG	1	EA
97	FLANGE HSG	1	EA
98	FLANGE HSG	1	EA
99	FLANGE HSG	1	EA
100	FLANGE HSG	1	EA

PUMP MODEL	MOTOR FRAME	'A'	'B'	'C'	'D'	'E'	F'	PUMP WT.	MOTOR WT.**
DB11/15	112 B5	9-21/32" (245 mm)	4-13/16" (122 mm)	4-13/32" (112 mm)	23-31/32" (609 mm)	13-17/32" (339 mm)	7-15/32" (190 mm)	33 bs. (15 kg)	88 lbs. (40 kg)
DB11/15	100 B5	8-1/16" (205 mm)	4-1/32" (102 mm)	3-30/32" (110 mm)	23-5/16" (592 mm)	13-1/16" (332 mm)	6-10/32" (160 mm)	33 bs. (15 kg)	71 lbs. (32 kg)

DB22 Outline Dimensions - Threaded Housing

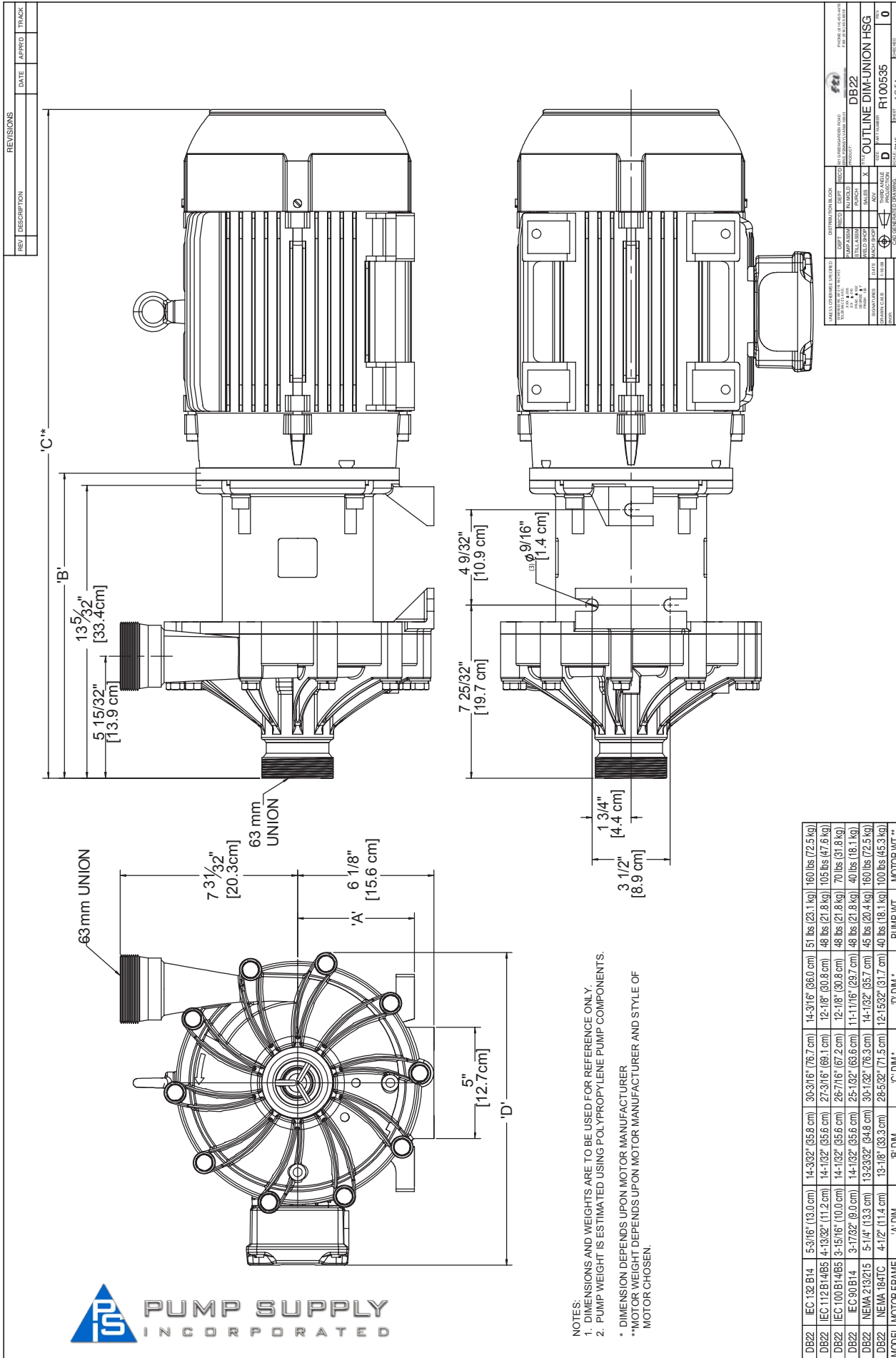
REV	DESCRIPTION	DATE	APPROVED	TRACK

NOTES:
 1. DIMENSIONS AND WEIGHTS ARE TO BE USED FOR REFERENCE ONLY.
 2. PUMP WEIGHT IS ESTIMATED USING POLYPROPYLENE PUMP COMPONENTS.
 * DIMENSION DEPENDS UPON MOTOR MANUFACTURER
 ** MOTOR WEIGHT DEPENDS UPON MOTOR MANUFACTURER AND STYLE OF MOTOR CHOSEN.

MODEL	MOTOR FRAME	'A' DIM	'B' DIM	'C' DIM*	'D' DIM*	PUMP WT	MOTOR WT**
DB22	IEC 132 B14	5-3/16" (13.0 cm)	12-3/8" (31.4 cm)	28-15/32" (72.3 cm)	14-3/16" (36.0 cm)	51 lbs (23.1 kg)	160 lbs (72.5 kg)
DB22	IEC 112 B14/B5	4-13/32" (11.2 cm)	12-5/16" (31.2 cm)	25-15/32" (64.7 cm)	12-1/8" (30.8 cm)	48 lbs (21.8 kg)	105 lbs (47.6 kg)
DB22	IEC 100 B14/B5	3-15/16" (10.0 cm)	12-5/16" (31.2 cm)	24-23/32" (62.8 cm)	12-1/8" (30.8 cm)	48 lbs (21.8 kg)	70 lbs (31.8 kg)
DB22	IEC 90 B14	3-17/32" (9.0 cm)	12-5/16" (31.2 cm)	23-5/16" (59.2 cm)	11-11/16" (29.7 cm)	48 lbs (21.8 kg)	40 lbs (18.1 kg)
DB22	NEMA 213/215	5-1/4" (13.3 cm)	12" (30.5 cm)	28-5/16" (71.9 cm)	14-1/32" (35.7 cm)	45 lbs (20.4 kg)	160 lbs (72.5 kg)
DB22	NEMA 184TC	4-1/2" (11.4 cm)	11-13/32" (29.0 cm)	26-7/16" (67.2 cm)	12-15/32" (31.7 cm)	40 lbs (18.1 kg)	100 lbs (45.3 kg)



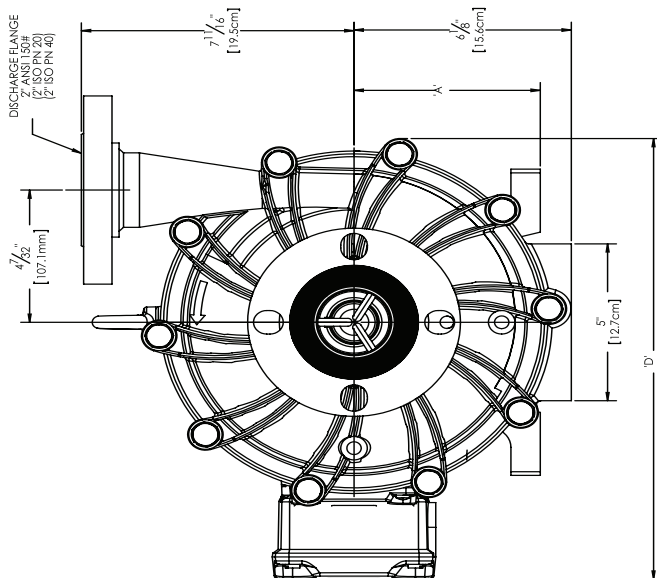
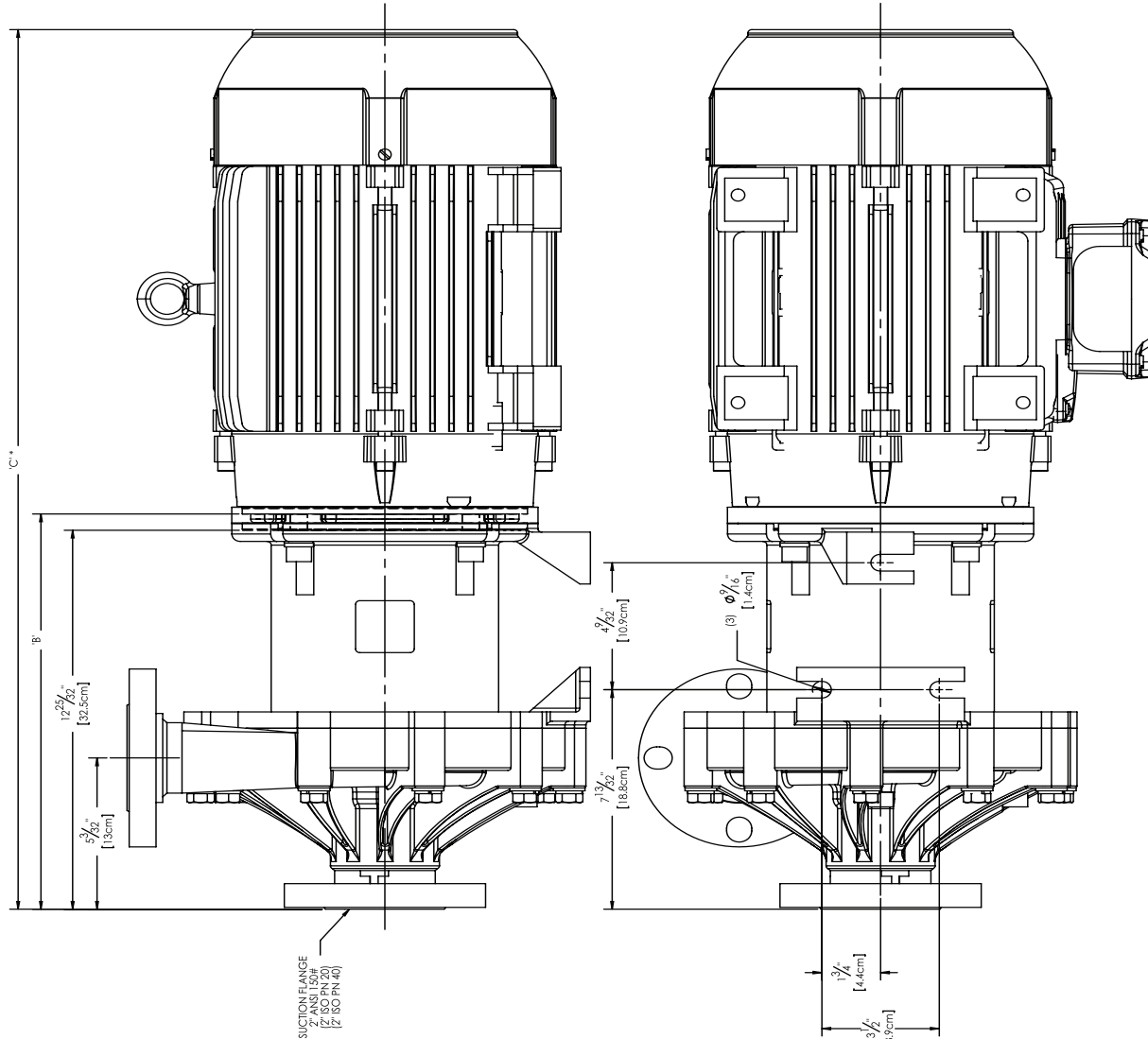
DB22 Outline Dimensions - Union Housing



DB22 Outline Dimensions - Flange Housing



REV	DESCRIPTION	DATE	APPROV	TRACK
1	ADDED 453145TC DIMENSIONS	08/27/12	JOB	
2	ADDED 47152 IN FRONT VIEW	10/27/12	IND	



FLANGE DETAIL
7" ANSI 150#
(2" ISO PN40)

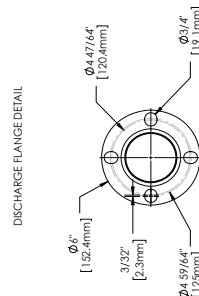
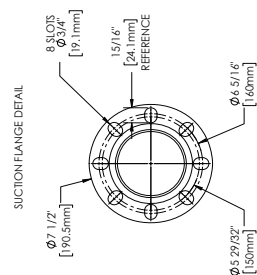
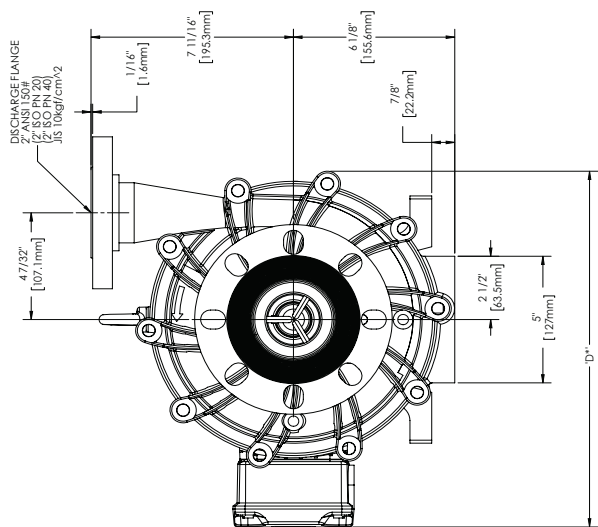
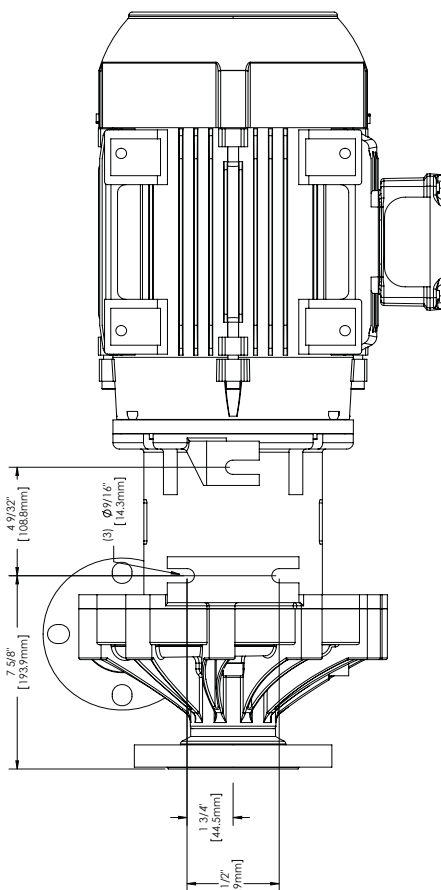
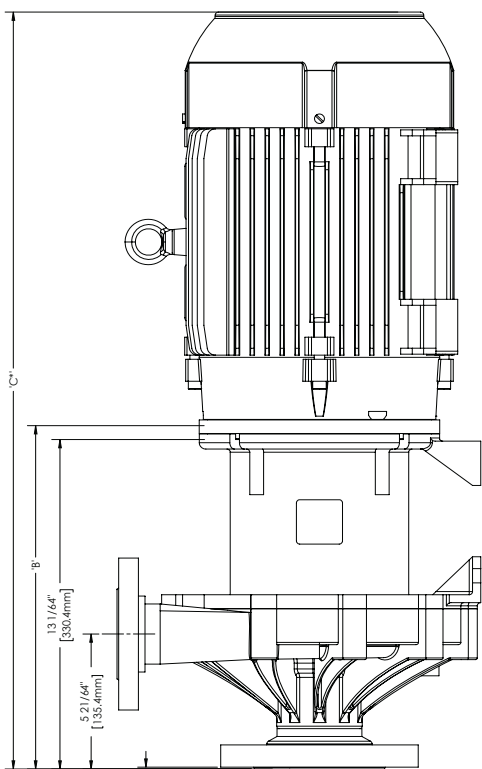
UNLESS OTHERWISE SPECIFIED		DISTRIBUTION BLOCK		PUMP SERIAL		PUMP MODEL		PUMP TYPE		PUMP FRAME		PUMP WEIGHT	
DEPT	REC'D	DEPT	REC'D	IN MTD	IN MTD	PROJ	PROJ	DATE	DATE	PROJ	PROJ	WT	WT
DB22 OUTLINE DIM- FLANGED HSG R100536 1 OF 1													

MODEL	MOTOR FRAME	A DIM	B DIM	C DIM*	D DIM*	PUMP WT	MOTOR WT**				
DB22	IEC 132 B14/B5	5-3/16"	11.30 cm	14-3/16"	37.5 cm	30-5/16"	77.0 cm	14-3/16"	36.0 cm	51 lbs (23.1 kg)	160 lbs (72.5 kg)
DB22	IEC 112 B14/B5	4-13/32"	11.2 cm	13-11/16"	34.8 cm	25-27/32"	66.2 cm	12-1/8"	30.8 cm	48 lbs (21.8 kg)	105 lbs (47.6 kg)
DB22	IEC 90 B14/B5	3-17/32"	9.0 cm	13-11/16"	34.8 cm	26-3/32"	66.3 cm	12-1/8"	30.8 cm	48 lbs (21.8 kg)	70 lbs (31.8 kg)
DB22	NEMA 213215	5-1/4"	13.3 cm	13-3/8"	34.0 cm	29-11/16"	75.4 cm	11-11/16"	29.7 cm	48 lbs (21.8 kg)	40 lbs (18.1 kg)
DB22	NEMA 182/184TC	4-1/2"	11.4 cm	12-25/32"	32.5 cm	27-13/16"	70.6 cm	14-1/32"	35.7 cm	45 lbs (20.4 kg)	160 lbs (72.5 kg)
DB22	NEMA 143/145TC	3-1/2"	8.9 cm	13-13/32"	34.0 cm	24-7/8"	63.2 cm	11-23/32"	29.8 cm	49 lbs (22.2 kg)	100 lbs (45.3 kg)

- NOTES:
- 1. DIMENSIONS AND WEIGHTS ARE TO BE USED FOR REFERENCE ONLY
- 2. PUMP WEIGHT IS ESTIMATED USING POLYPROPYLENE PUMP COMPONENTS

*. DIMENSION DEPENDS UPON MOTOR MANUFACTURER
 **. MOTOR WEIGHT DEPENDS UPON MOTOR MANUFACTURER AND STYLE OF MOTOR CHOSEN

REV	DESCRIPTION	DATE	APPROV	TRACK
1	ADDED AS FRAME TO DIMENSION CHART	10/28/12	MD	
2	DRAWING PRODUCT & TITLE BLOCK UPDATED	10/28/13	MD	
3	ADDED US FLANGE NOTES	5/9/16	TJS	



INSTRUTIVE REVISIONS	REVISIONS	DATE	APPROV	TRACK
1	ADDED AS FRAME TO DIMENSION CHART	10/28/12	MD	
2	DRAWING PRODUCT & TITLE BLOCK UPDATED	10/28/13	MD	
3	ADDED US FLANGE NOTES	5/9/16	TJS	

INSTRUTIVE REVISIONS	REVISIONS	DATE	APPROV	TRACK
1	ADDED AS FRAME TO DIMENSION CHART	10/28/12	MD	
2	DRAWING PRODUCT & TITLE BLOCK UPDATED	10/28/13	MD	
3	ADDED US FLANGE NOTES	5/9/16	TJS	

NOTES:

- DIMENSIONS AND WEIGHTS ARE TO BE USED FOR REFERENCE ONLY.
- DIMENSIONS ARE TO BE USED FOR COMPONENTS.
- DIMENSION DEPENDS UPON MOTOR MANUFACTURER.
- MOTOR WEIGHT DEPENDS UPON MOTOR MANUFACTURER AND STYLE OF MOTOR CHOSEN.

MODEL	MOTOR FRAME	DM1 'A'	DM1 'B'	DM1 'C'	DM1 'D'	PUMP WT	MOTOR WT**
D	EC 132 B14B5	N	MM	N	MM	LBS	KG
B	EC 100 B14B5	N	MM	N	MM	LBS	KG
3	NEMA 213/215TC	N	MM	N	MM	LBS	KG
2	NEMA 184TC	N	MM	N	MM	LBS	KG

