

Every pump tested in water to ensure pump meets performance curve.



FEATURES/BENEFITS

PERFORMANCE

Heads up to 124' TDH
 Flows up to 122 GPM

MOTOR (Single Phase)

High efficient, 115v or 230v, oil filled, permanent split capacitor motor with upper and lower ball bearings and thermal overload protection

- Constant bearing lubrication
- Maximum motor cooling
- Runs cooler and lasts longer
- Internal overload protection
- Quiet operation
- Fasteners and shaft made from rugged, corrosion resistant stainless steel

MOTOR (3 Phase)

230v or 460v, requires control panel

SEAL DESIGN

Single, mechanical, oil filled chamber
 - Optional double seal series models available that provides additional protection and moisture sensing capabilities
 - Optional seal failure feature that will alert you when the seal has failed

IMPELLER DESIGN

1 or 2 vane cast iron impeller
 - Designed to help reduce clogging by foreign material

POWER CORD

Sealed entry quick disconnect power cords
 - Prevents water from entering the motor housing through a cut cord
 - Easy to replace in the field
 - Available in lengths up to 100'

SWITCH

Piggy-back switch design (Single Phase)
 - Defective switches can be diagnosed over the phone
 - Pump can be operated manually or supplied with other piggy-back switches
 - Switch can be replaced without having to replace the pump

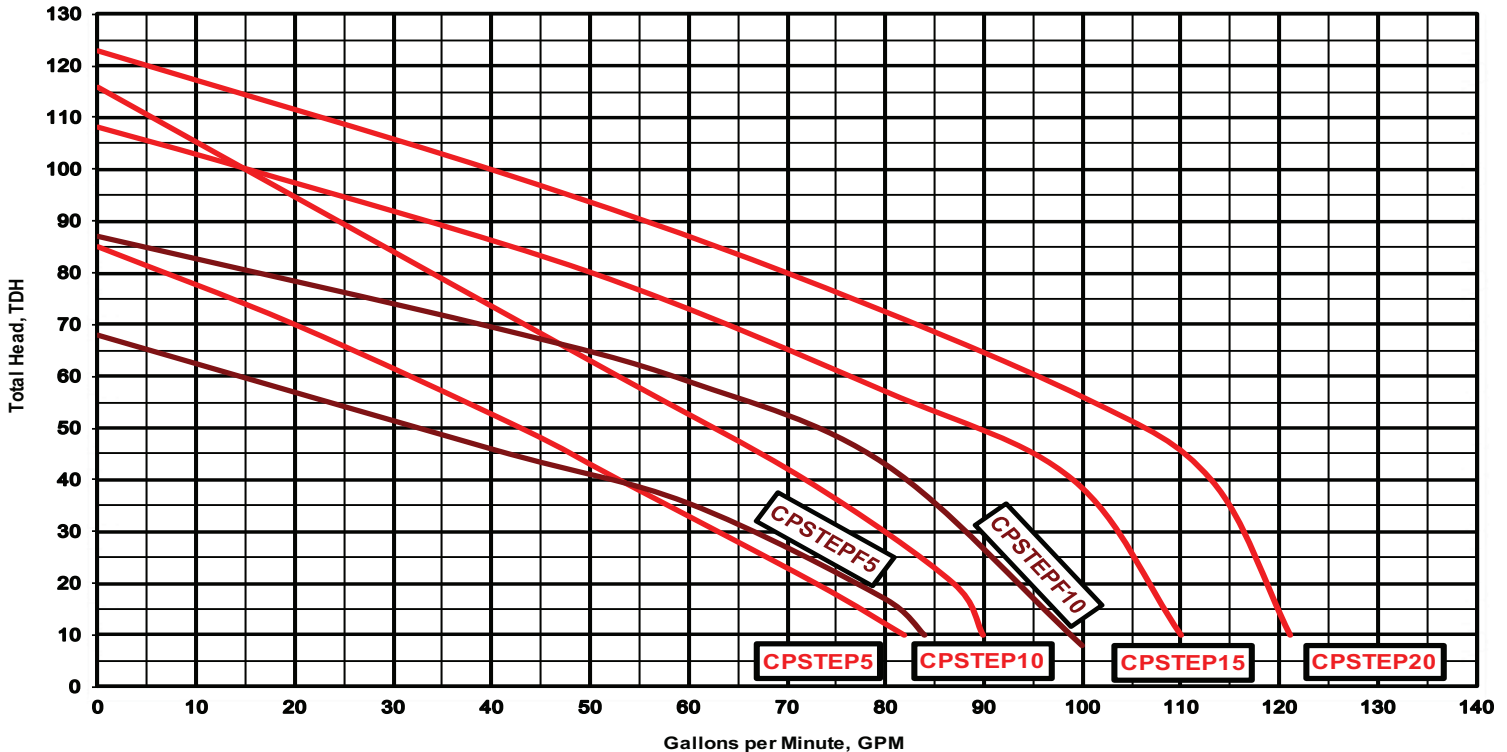
APPLICATIONS

Dewatering, septic systems, residential and commercial developments, elevator pits and STEP systems



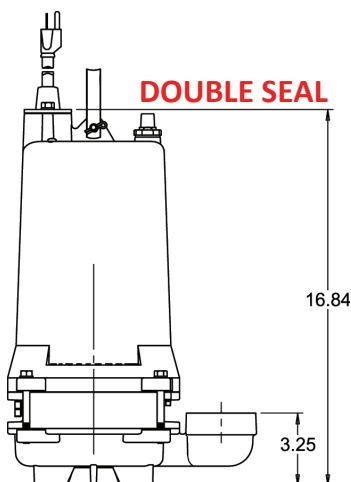
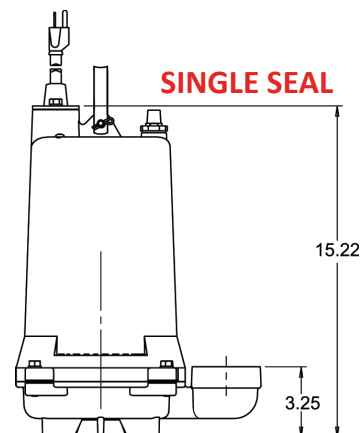
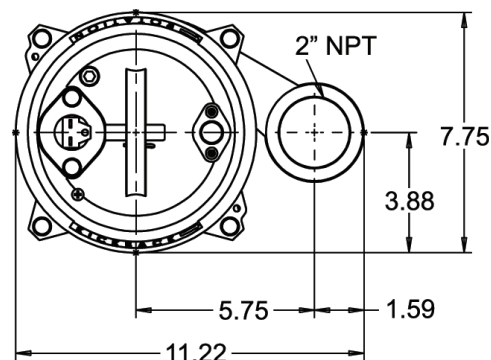
1/2-2 HP high head effluent pumps that handle up to 3/4" solids with 2" discharge

PERFORMANCE CURVE



TECHNICAL DATA

DISCHARGE	2" NPT. vertical standard
SOLIDS HANDLING	3/4"
LIQUID TEMPERATURE	140 Degrees F. (Intermittent)
MOTOR HOUSING	Cast Iron
VOLUTE	Cast Iron
SEAL PLATE	Cast Iron
IMPELLER	Cast Iron / 1 or 2 Vane
SHAFT	Stainless Steel
SHAFT SEAL (SINGLE SEAL)	Single mechanical, carbon rotating face, ceramic stationary face, Buna-N elastomer, 300 series stainless steel hardware
SHAFT SEAL (DOUBLE SEAL)	Tandem double mechanical upper & lower, carbon ceramic, Buna-N elastomer, 300 stainless steel hardware
BEARINGS (UPPER & LOWER)	Single row, ball, oil lubricated
HARDWARE	300 Series stainless steel
O-RINGS	Buna-N
CORD	Quick disconnect 20' cord standard. Up to 30' with a plug and 100' available without a plug. 3 Phase 30' cord standard UL/CSA (SJOW) 14/3 (.375 OD) * UL/CSA (SO) Cord 14 Ga. (.60)
MOTOR (SINGLE PHASE)	1/2-2 HP 3450 RPM. 60 Hz, Includes overload protection in the motor, oil filled, class F permanent split capacitor
MOTOR (THREE PHASE)	1/2-2 HP 3450 RPM. 60 Hz, oil filled, requires overload protection to be included in control panel
WEIGHT	72 lbs. (Manual)



MODEL(S) INFORMATION

MODEL	HP	VOLTS	PHASE	AMPS	CORD LENGTH	SWITCH	REQUIRES PANEL
CPSTEP512(A)	1/2	115	1	13.8	20'	M (Wide-Angle Float)	No
CPSTEP522(A)	1/2	230	1	6.9	20'	M (Wide-Angle Float)	No
CPSTEP533	1/2	230	3	4.6	30'	Manual	Yes
CPSTEP1022(A)	1	208/230	1	11.5/10.4	20'	M (Wide-Angle Float)	No
CPSTEP1033	1	208/230	3	8.4/7.6	30'	Manual	Yes
*CPSTEP1043	1	460	3	3.8	30'	Manual	Yes
CPSTEPF512(A)	1/2	115	1	13.8	20'	M (Wide-Angle Float)	No
CPSTEPF522(A)	1/2	230	1	6.9	20'	M (Wide-Angle Float)	No
CPSTEPF533	1/2	230	3	4.6	30'	Manual	Yes
CPSTEPF1022(A)	1	208/230	1	11.5/10.4	20'	M (Wide-Angle Float)	No
CPSTEPF1033	1	208/230	3	8.4/7.6	30'	Manual	Yes
*CPSTEPF1043	1	460	3	3.8	30'	Manual	Yes
CPSTEPF1522(A)	1-1/2	208/230	1	13.3/12	20'	M (Wide-Angle Float)	No
CPSTEPF1533	1-1/2	208/230	3	9.3/8.4	30'	Manual	Yes
*CPSTEPF1543	1-1/2	460	3	4.2	30'	Manual	Yes
CPSTEP2022(A)	2	208/230	1	16.4/14.8	20'	M (Wide-Angle Float)	No
CPSTEP2033	2	208/230	3	12.2/11	30'	Manual	Yes
*CPSTEP2043	2	460	3	5.5	30'	Manual	Yes