



# CPSE(F)



1/2 - 2HP  
SEWAGE

Every pump tested in water to ensure pump meets performance curve.



## FEATURES/BENEFITS

### PERFORMANCE

Heads up to 80' TDH  
Flows up to 222 GPM

### MOTOR (Single Phase)

High efficient, 115v or 230v, oil filled, permanent split capacitor motor with upper and lower ball bearings and thermal overload protection

- Constant bearing lubrication
- Maximum motor cooling
- Runs cooler and lasts longer
- Internal overload protection
- Quiet operation
- Fasteners and shaft made from rugged, corrosion resistant stainless steel

### MOTOR (3 Phase)

230v or 460v, requires control panel

### SEAL DESIGN

Single, mechanical, oil filled chamber  
- Optional double series models available that provides additional protection and optional moisture sensing capabilities  
- Optional seal failure feature that will alert you when the seal has failed

### IMPELLER DESIGN

2 vane, cast iron impeller  
- Designed to help reduce clogging by foreign material

### POWER CORD

Sealed entry quick disconnect power cords  
- Prevents water from entering the motor housing through a cut cord  
- Easy to replace in the field  
- Available in lengths up to 100'

### SWITCH

Piggy-back switch design (Single Phase)  
- Defective switches can be diagnosed over the phone  
- Pump can be operated manually or supplied with other piggy-back switches  
- Switch can be replaced without having to replace the pump

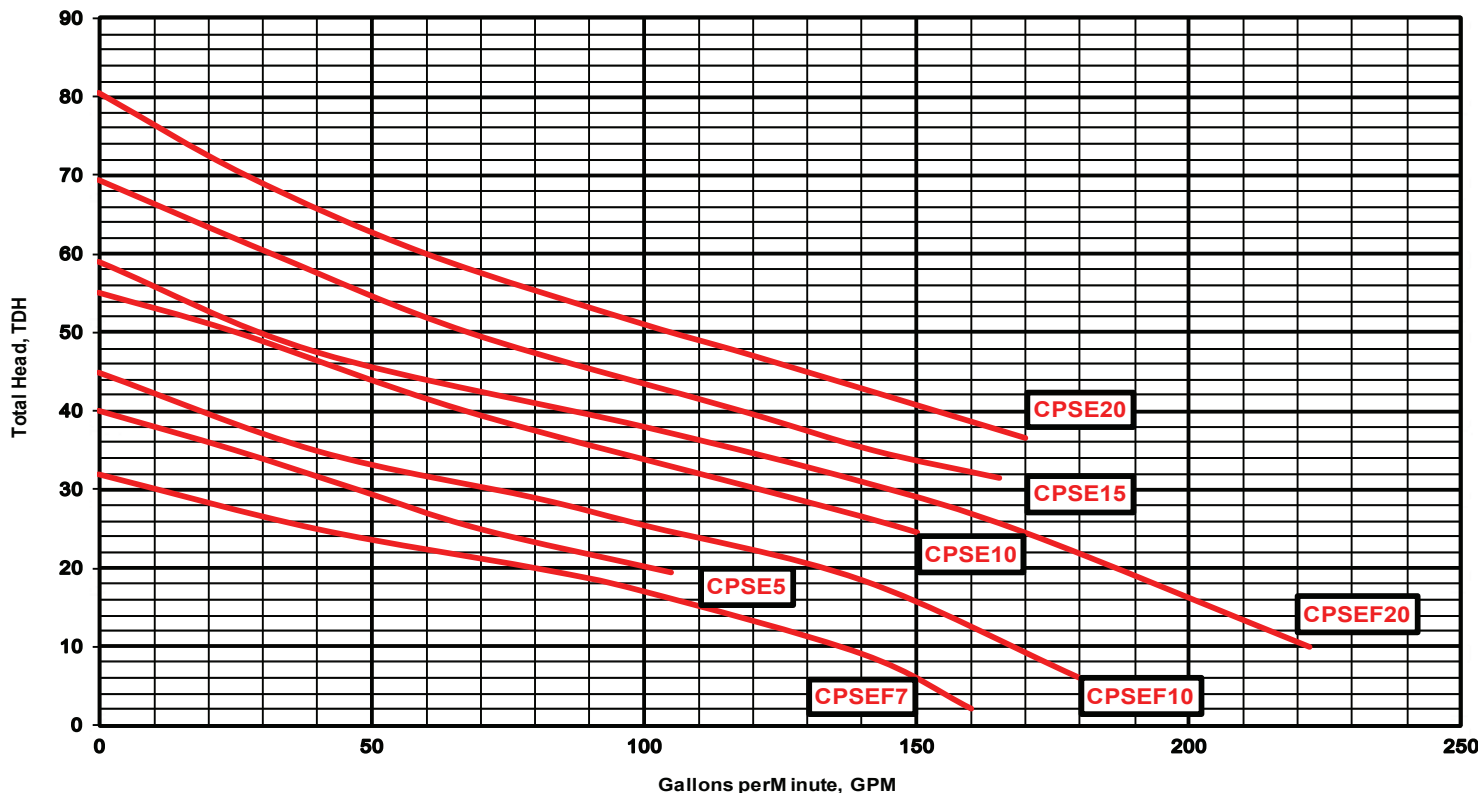
## APPLICATIONS

Residential developments, commercial developments and wastewater applications



1/2-2 HP cast iron sewage pumps that handle up to 2" solids with 2" or 3" discharge

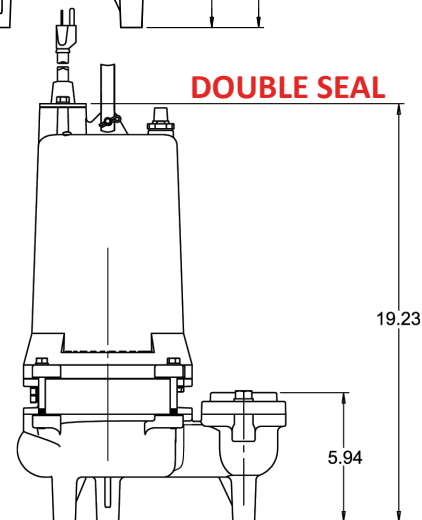
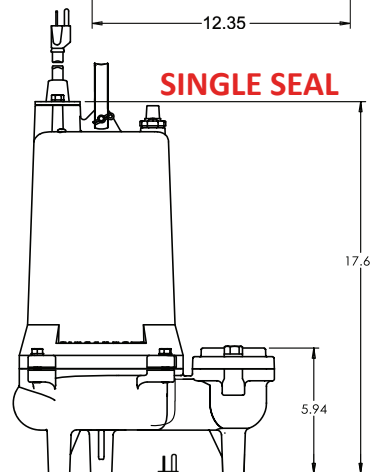
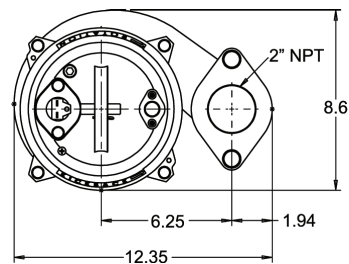
## PERFORMANCE CURVE



# TECHNICAL DATA



<b>DISCHARGE</b>	<b>2" NPT. vertical standard, 3" optional</b>
<b>SOLIDS HANDLING</b>	<b>2"</b>
<b>LIQUID TEMPERATURE</b>	<b>140 Degrees F. (Intermittent)</b>
<b>MOTOR HOUSING</b>	<b>Cast Iron</b>
<b>VOLUTE</b>	<b>Cast Iron</b>
<b>SEAL PLATE</b>	<b>Cast Iron</b>
<b>IMPELLER</b>	<b>Cast Iron / 2 Vane</b>
<b>SHAFT</b>	<b>Stainless Steel</b>
<b>SHAFT SEAL (SINGLE SEAL)</b>	<b>Single mechanical, carbon rotating face, ceramic stationary face, Buna-N elastomer, 300 series stainless steel hardware</b>
<b>SHAFT SEAL (DOUBLE SEAL)</b>	<b>Tandem double mechanical upper &amp; lower, carbon ceramic, Buna-N elastomer, 300 stainless steel hardware</b>
<b>BEARINGS (UPPER &amp; LOWER)</b>	<b>Single row, ball, oil lubricated</b>
<b>HARDWARE</b>	<b>300 Series stainless steel</b>
<b>O-RINGS</b>	<b>Buna-N</b>
<b>CORD</b>	<b>Quick disconnect 20' cord standard. Up to 30' with a plug and 100' available without a plug. 3 phase 30' cord standard. UL/CSA (SJOW) 14/3 (.375 OD) * UL/CSA (SO) Cord 14 Ga. (.60)</b>
<b>MOTOR (SINGLE PHASE)</b>	<b>1/2-2 HP 3450 RPM. 60 Hz, Includes Overload Protection in the Motor. Oil Filled, Class F Permanent Split Capacitor</b>
<b>MOTOR (THREE PHASE)</b>	<b>1/2-2 HP 3450 RPM. 60 Hz, oil filled, requires overload protection to be included in control panel</b>
<b>WEIGHT</b>	<b>80 lbs. (Manual)</b>



# MODEL(S) INFORMATION

MODEL	HP	VOLTS	PHASE	AMPS	CORD LENGTH	SWITCH	REQUIRES PANEL
CPSE512(A)	1/2	115	1	14.5	20'	M (Wide-Angle Float)	No
CPSE522(A)	1/2	230	1	7.3	20'	M (Wide-Angle Float)	No
CPSE533	1/2	230	3	5.3	30'	Manual	Yes
*CPSE543	1/2	460	3	2.7	30'	Manual	Yes
CPSEF712(A)	3/4	115	1	12	20'	M (Wide-Angle Float)	No
CPSEF722(A)	3/4	230	1	6	20'	M (Wide-Angle Float)	No
CPSEF733	3/4	230	3	5	30'	Manual	Yes
*CPSEF743	3/4	460	3	2.5	30'	Manual	Yes
CPSE1022(A)	1	208/230	1	11.5/10.4	20'	M (Wide-Angle Float)	No
CPSEF1022(A)	1	208/230	1	12.2/11	20'	M (Wide-Angle Float)	No
CPSE1033	1	230	3	7.6	30'	Manual	Yes
CPSEF1033	1	230	3	8	30'	Manual	Yes
*CPSE1043	1	460	3	3.8	30'	Manual	Yes
*CPSEF1043	1	460	3	4	30'	Manual	Yes
CPSE1522(A)	1-1/2	208/230	1	14.7/13.3	20'	M (Wide-Angle Float)	No
CPSE1533	1-1/2	208/230	3	10.5/9.5	30'	Manual	Yes
*CPSE1543	1-1/2	460	3	4.8	30'	Manual	Yes
CPSE2022(A)	2	208/230	1	16.4/14.8	20'	M (Wide-Angle Float)	No
CPSEF2022(A)	2	208/230	1	16.4/14.8	20'	M (Wide-Angle Float)	No
CPSE2033	2	208/230	3	12.1/11	30'	Manual	Yes
CPSEF2033	2	208/230	3	12.1/11	30'	Manual	Yes
*CPSE2043	2	460	3	5.5	30'	Manual	Yes
*CPSEF2043	2	460	3	5.5	30'	Manual	Yes