

Every pump tested in water to ensure pump meets performance curve.



FEATURES/BENEFITS

PERFORMANCE

Heads up to 28' TDH
 Flows up to 45 GPM

MOTOR

High efficient, 115v or 230v, oil filled, permanent split capacitor motor with upper and lower ball bearings and thermal overload protection

- Constant bearing lubrication
- Maximum motor cooling
- Runs cooler and lasts longer
- Internal overload protection
- Quiet operation
- Designed for hot water applications up to 185°
- Fasteners and shaft made from rugged, corrosion resistant stainless steel

SEAL DESIGN

Type 21 inboard seal design with secondary exclusion seal

- Rotating components of seal are in the motor housing, being lubricated by the motor oil preventing foreign matter from wrapping around the seal components
- Seal will last longer if the pump runs dry
- Secondary exclusion seal keeps debris from entering the seal cavity

IMPELLER DESIGN

Non-clog style, cast-iron vortex impeller

- Designed to help reduce clogging by foreign material

POWER CORD

Sealed entry quick disconnect power cords

- Prevents water from entering the motor housing through a cut cord
- Easy to replace in the field
- Available in lengths up to 30'

SWITCH

Piggy-back switch design

- Defective switches can be diagnosed over the phone
- Pump can be operated manually or supplied with other piggy-back switches
- Switch can be replaced without having to replace the pump

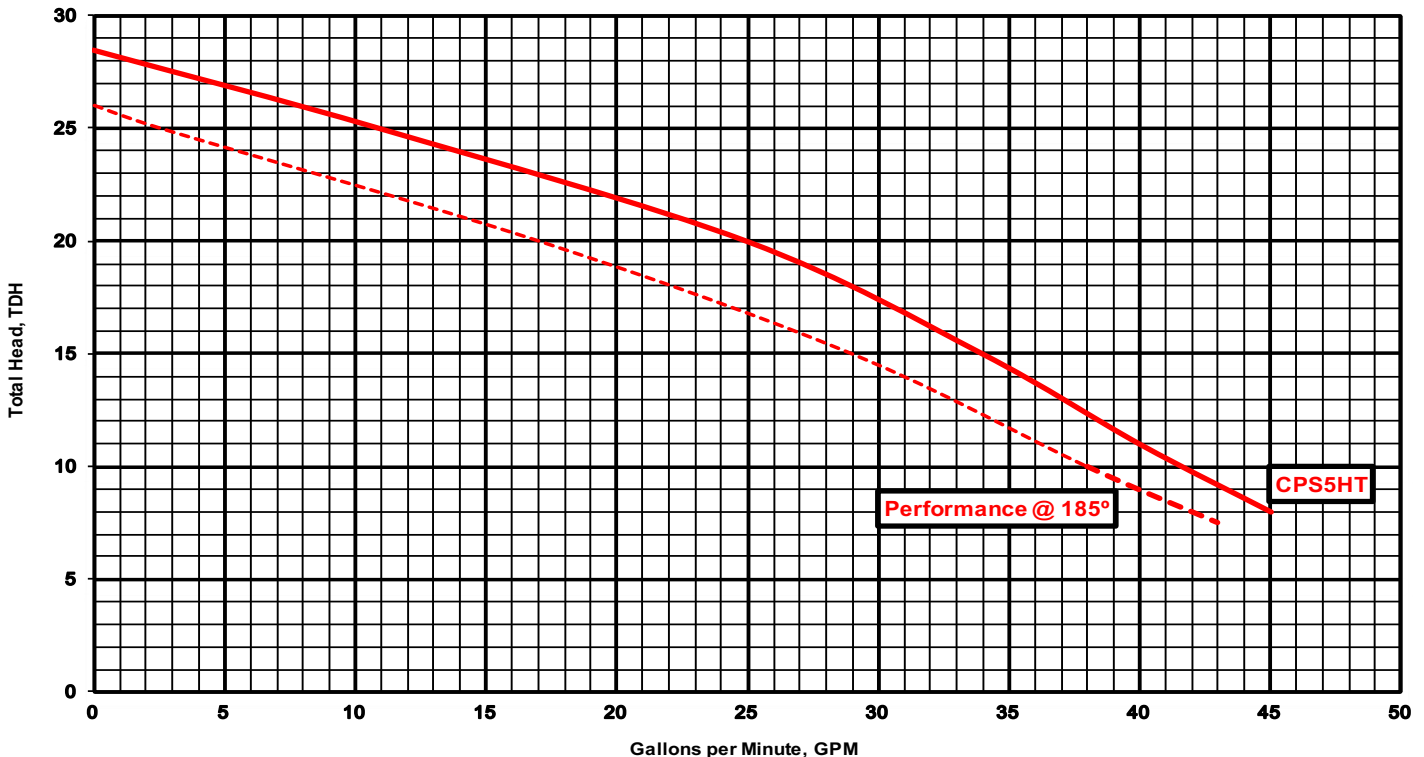
APPLICATIONS

Boiler blow down, condensate pits and hot water transfer



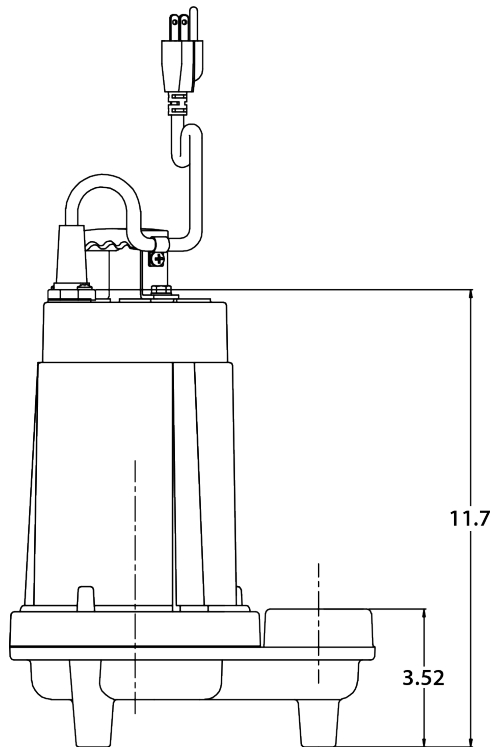
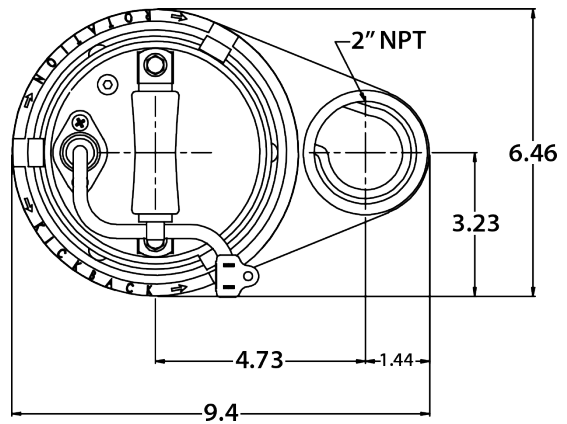
1/2 HP submersible high temperature pumps that handle up to 3/4" solids with 2" discharge

PERFORMANCE CURVE



TECHNICAL DATA

DISCHARGE	2" NPT. vertical standard
SOLIDS HANDLING	3/4"
LIQUID TEMPERATURE	185 Degrees F. (Intermittent)
MOTOR HOUSING	Cast Iron
VOLUTE	Cast Iron
SEAL PLATE	Cast Iron
IMPELLER	Cast Iron / Vortex
SHAFT	Stainless Steel
SHAFT SEAL (SINGLE SEAL)	Inboard mechanical with secondary exclusion V-Seal, carbon rotating face, ceramic stationary face, Buna-N elastomer, 300 series stainless steel hardware
BEARINGS (UPPER & LOWER)	Single row, ball, oil lubricated
HARDWARE	300 Series stainless steel
O-RINGS	Buna-N
CORD	20' Length standard. Up to 30' available. (UL/CUL) Listed 16 AWG, Type SJTW
MOTOR (SINGLE PHASE)	1/2 HP 3450 RPM, 60 Hz, NEMA L Includes overload protection in the motor, oil filled, class B permanent split capacitor
WEIGHT	39 lbs. (Manual)



MODEL(S) INFORMATION

MODEL	HP	VOLTS	PHASE	AMPS	CORD LENGTH	SWITCH
CPS5HT-11	1/2	115	1	5.8	10'	Manual
CPS5HT-12	1/2	115	1	5.8	20'	Manual
CPS5HT-13	1/2	115	1	5.8	30'	Manual
CPS5HTA-11	1/2	115	1	5.8	10'	Wide-Angle Float
CPS5HTA-12	1/2	115	1	5.8	20'	Wide-Angle Float
CPS5HTA-13	1/2	115	1	5.8	30'	Wide-Angle Float