

*Every pump tested in water to ensure pump meets performance curve.*



**FEATURES/BENEFITS**

**PERFORMANCE**

Heads up to 28' TDH  
 Flows up to 85 GPM

**MOTOR**

High efficient, 115v or 230v, oil filled, permanent split capacitor motor with upper and lower ball bearings and thermal overload protection

- Constant bearing lubrication
- Maximum motor cooling
- Runs cooler and lasts longer
- Internal overload protection
- Quiet operation
- Fasteners and shaft made from rugged, corrosion resistant stainless steel

**SEAL DESIGN**

Type 21 inboard seal design with secondary exclusion seal

- Rotating components of seal are in the motor housing, being lubricated by the motor oil preventing foreign matter from wrapping around the seal components
- Seal will last longer if the pump runs dry
- Secondary exclusion seal keeps debris from entering the seal cavity

**IMPELLER DESIGN**

Non-clog style, cast-iron vortex impeller

- Designed to help reduce clogging by foreign material

**POWER CORD**

Sealed entry quick disconnect power cords

- Prevents water from entering the motor housing through a cut cord
- Easy to replace in the field
- Available in lengths up to 100'

**SWITCH**

Piggy-back switch design

- Defective switches can be diagnosed over the phone
- Pump can be operated manually or supplied with other piggy-back switches
- Switch can be replaced without having to replace the pump

**APPLICATIONS**

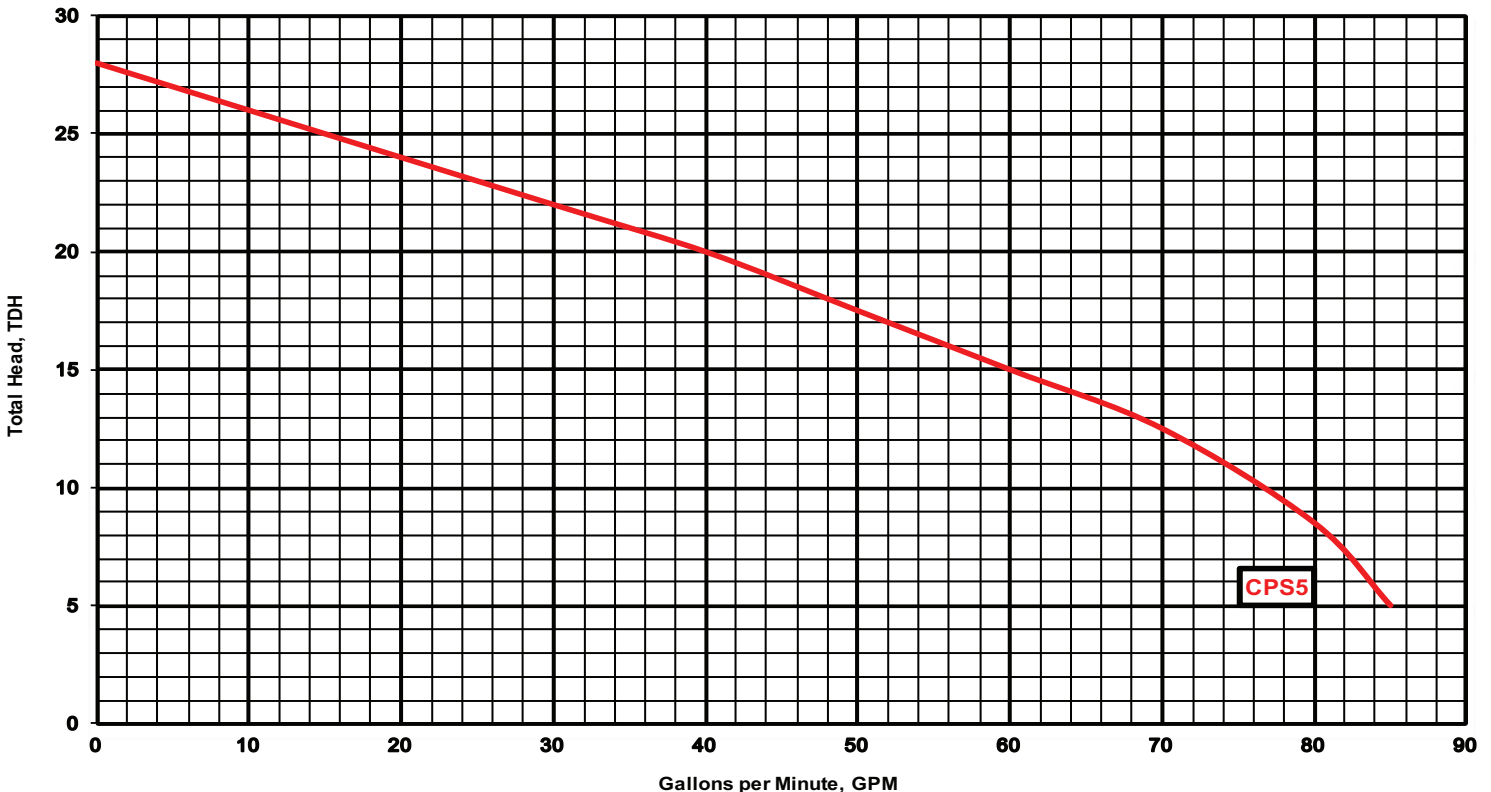
Basements, dewatering, septic systems and truck docks



1/2 HP submersible pumps that handle up to 1 1/4" solids with 2" discharge

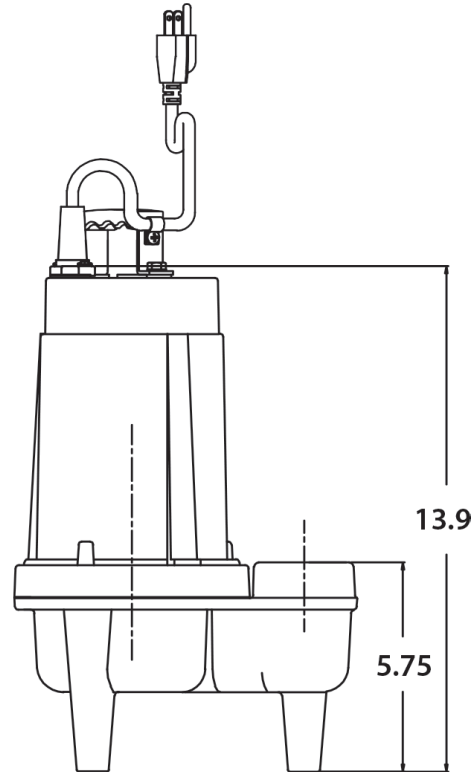
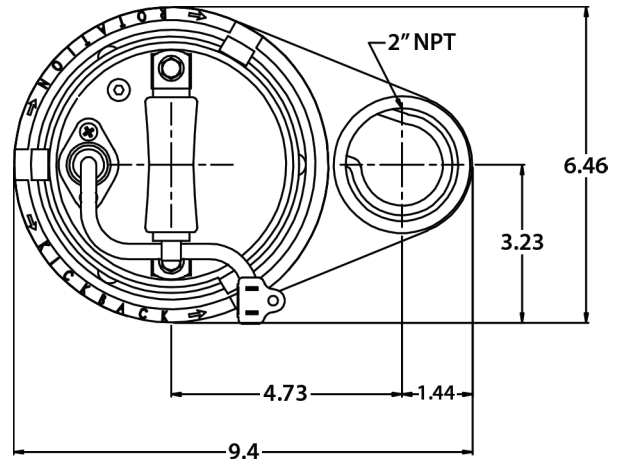


**PERFORMANCE CURVE**



## TECHNICAL DATA

<b>DISCHARGE</b>	2" NPT. vertical standard
<b>SOLIDS HANDLING</b>	1 1/4"
<b>LIQUID TEMPERATURE</b>	140 Degrees F. (Intermittent)
<b>MOTOR HOUSING</b>	Cast Iron
<b>VOLUTE</b>	Cast Iron
<b>SEAL PLATE</b>	Cast Iron
<b>IMPELLER</b>	Cast Iron / Vortex
<b>SOLIDS HANDLING</b>	1 1/4"
<b>SHAFT</b>	Stainless Steel
<b>SHAFT SEAL (SINGLE SEAL)</b>	Inboard mechanical with secondary exclusion V-Seal, carbon rotating face, ceramic stationary face, Buna-N elastomer, 300 series stainless steel hardware
<b>BEARINGS (UPPER &amp; LOWER)</b>	Single row, ball, oil lubricated
<b>HARDWARE</b>	300 Series stainless steel
<b>O-RINGS</b>	Buna-N
<b>CORD</b>	10' Length standard. Up to 100' available. (UL/CUL) Listed 16 AWG, Type SJTW
<b>MOTOR (SINGLE PHASE)</b>	1/2 HP 3450 RPM, 60 Hz, NEMA L Includes overload protection in the motor, oil filled, class B permanent split capacitor
<b>WEIGHT</b>	39 lbs. (Manual)



## MODEL(S) INFORMATION

MODEL	HP	VOLTS	PHASE	AMPS	CORD LENGTH	SWITCH
CPS5-11	1/2	115	1	8	10'	Manual
CPS5-12	1/2	115	1	8	20'	Manual
CPS5-13	1/2	115	1	8	30'	Manual
CPS5-15	1/2	115	1	8	50'	Manual
CPS5A-11	1/2	115	1	8	10'	Wide-Angle Float
CPS5A-12	1/2	115	1	8	20'	Wide-Angle Float
CPS5A-13	1/2	115	1	8	30'	Wide-Angle Float
CPS5A-15	1/2	115	1	8	50'	Wide-Angle Float
CPS5V-11	1/2	115	1	8	10'	Vertical Float
CPS5V-12	1/2	115	1	8	20'	Vertical Float
CPS5V-13	1/2	115	1	8	30'	Vertical Float
CPS5V-15	1/2	115	1	8	50'	Vertical Float
CPS5-22	1/2	230	1	4	20'	Manual
CPS5A-22	1/2	230	1	4	20'	Wide-Angle Float
CPS5V-22	1/2	230	1	4	20'	Vertical Float