

*Every pump tested in water to ensure pump meets performance curve.*



**FEATURES/BENEFITS**

**PERFORMANCE**

- Heads up to 20' TDH
- Flows up to 42 GPM

**MOTOR**

- High efficient, 115v, oil filled, permanent split capacitor motor with upper and lower ball bearings and thermal overload protection
- Constant bearing lubrication
  - Maximum motor cooling
  - Runs cooler and lasts longer
  - Internal overload protection
  - Quiet operation
  - Fasteners and shaft made from rugged, corrosion resistant stainless steel

**SEAL DESIGN**

- Mechanical with secondary dynamic lip seal
- Provides added leakage protection

**IMPELLER DESIGN**

- Non-clog style vortex impeller
- Designed to help reduce clogging by foreign material

**POWER CORD**

- Sealed entry quick disconnect power cords
- Prevents water from entering the motor housing through a cut cord
  - Available in lengths up to 100'

**SWITCH**

- Integrated quick disconnect switch design (Vertical float series)
- Switch can be replaced without having to replace the pump

**PIGGY-BACK SWITCH DESIGN**

- Defective switches can be diagnosed over the phone
- Pump can be operated manually or supplied with other piggy-back switches
- Switch can be replaced without having to replace the pump

**APPLICATIONS**

Basements, dewatering, and septic systems



Piggy-back Wide-Angle Float

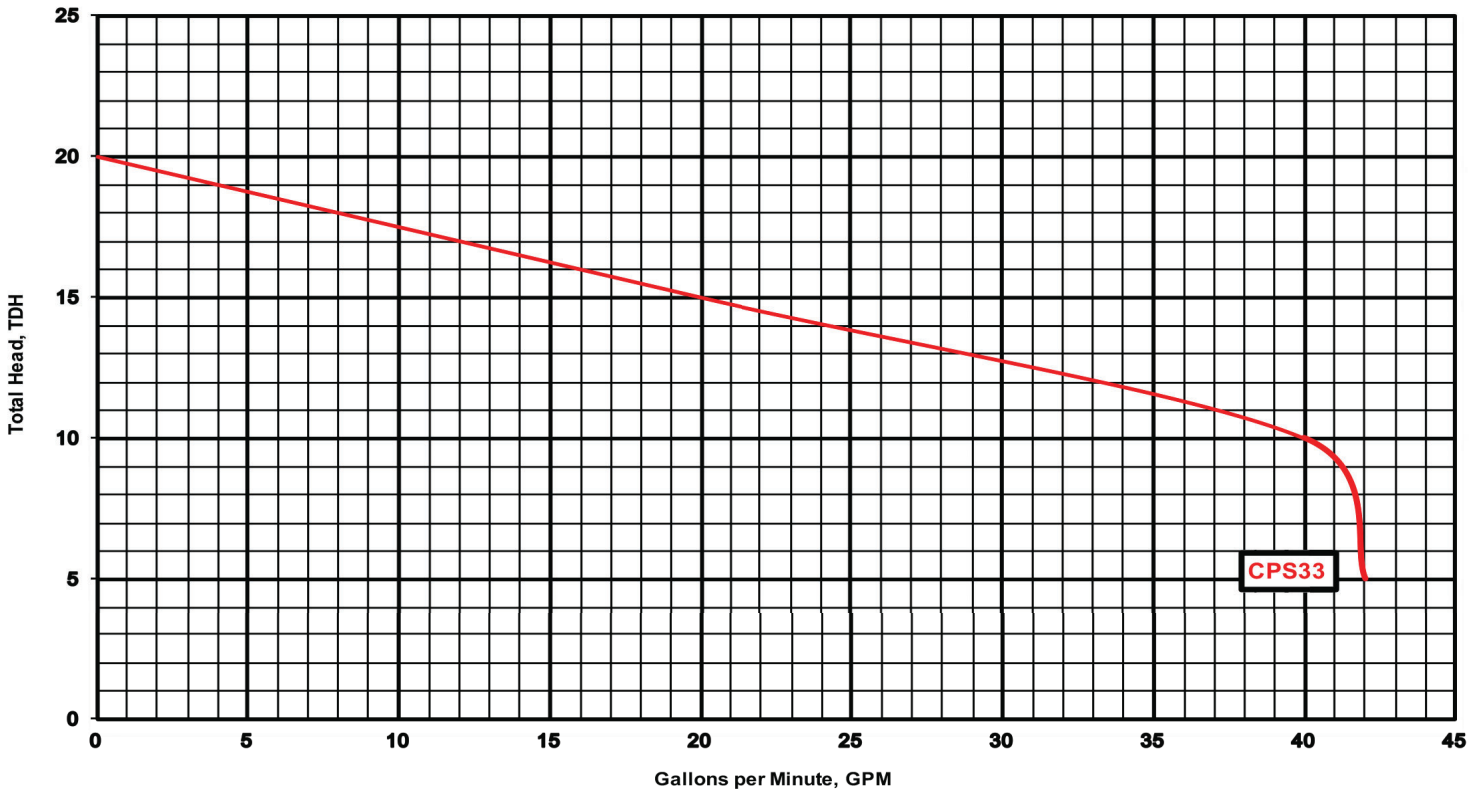


Integrated Vertical Float

1/3 HP submersible pumps, built for reliability, that handle up to 1/4" solids and have a 1 1/2" discharge

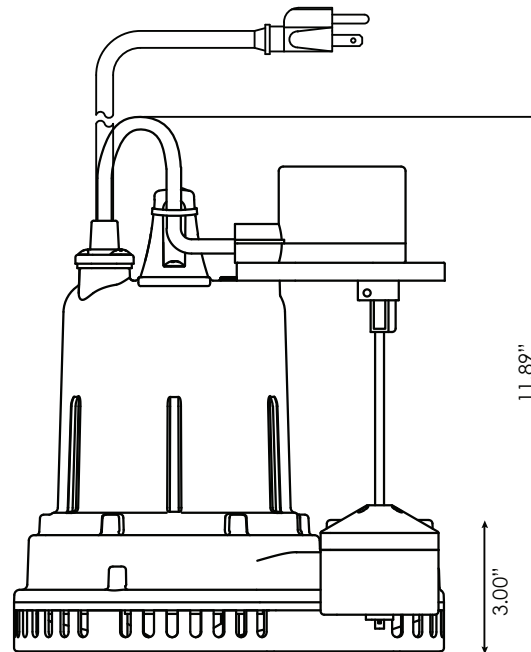
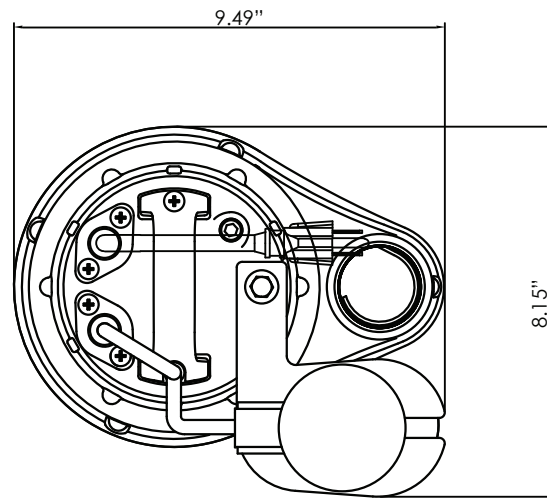


**PERFORMANCE CURVE**



## TECHNICAL DATA

<b>DISCHARGE</b>	1-1/2" NPT. vertical standard
<b>SOLIDS HANDLING</b>	1/4"
<b>LIQUID TEMPERATURE</b>	140 Degrees F. (Intermittent)
<b>MOTOR HOUSING</b>	Cast Iron
<b>VOLUTE</b>	Cast Iron
<b>SEAL PLATE</b>	Cast Iron
<b>IMPELLER</b>	Engineered glass filled thermoplastic/ Vortex
<b>SHAFT</b>	Nickel plated steel
<b>SHAFT SEAL (SINGLE SEAL)</b>	Mechanical with secondary dynamic lip seal, carbon rotating face, ceramic stationary face, Buna-N elastomer, 300 series stainless steel hardware
<b>BEARINGS (UPPER &amp; LOWER)</b>	Single row, ball, oil lubricated
<b>HARDWARE</b>	300 Series stainless steel
<b>O-RINGS</b>	Buna-N
<b>CORD</b>	10' Length standard. Up to 100' available. (UL/CUL) Listed 16 AWG, Type SJTW
<b>MOTOR (SINGLE PHASE)</b>	1/3 HP 1750 RPM, 60 Hz, NEMA L Includes overload protection in the motor, oil filled, class B permanent split capacitor
<b>WEIGHT</b>	23 lbs. (Manual)



## MODEL(S) INFORMATION

MODEL	HP	VOLTS	PHASE	AMPS	CORD LENGTH	SWITCH
CPS33-11	1/3	115	1	4	10'	Manual
CPS33-12	1/3	115	1	4	20'	Manual
CPS33-13	1/3	115	1	4	30'	Manual
CPS33-15	1/3	115	1	4	50'	Manual
CPS33A-11P	1/3	115	1	4	10'	Wide-Angle Float
CPS33A-12P	1/3	115	1	4	20'	Wide-Angle Float
CPS33A-13P	1/3	115	1	4	30'	Wide-Angle Float
CPS33V-11	1/3	115	1	4	10'	Vertical Float
CPS33V-12	1/3	115	1	4	20'	Vertical Float
CPS33V-13	1/3	115	1	4	30'	Vertical Float