



# CPG(H)

1 & 2HP  
GRINDER

Every pump tested in water to ensure pump meets performance curve.



## FEATURES/BENEFITS



### PERFORMANCE

- Heads up to 133' TDH
- Flows up to 44 GPM

### MOTOR

- Internal capacitor run 115v or 208-230v, oil filled motors with upper and lower ball bearings and thermal overload protection.
- Constant bearing lubrication
- Maximum motor cooling
- Runs cooler and lasts longer
- Internal overload protection
- Quiet operation
- Fasteners and shaft made from rugged, corrosion resistant stainless steel

### SEAL DESIGN

- Single, mechanical, running in oil filled chamber allowing dry run and cooling

### IMPELLER DESIGN

- Non-clog style, cast-iron vortex impeller
- Designed to generate higher heads and reduce clogging by foreign materials
- Provides non-overloading performance

### CUTTER ASSEMBLY

- 440 SST (56-60 Rockwell)
- 24,000 cuts per second and 1.5 million cuts a minute
- Designed to reduce over loading and clogging

### POWER CORD

- Sealed entry quick disconnect power cords
- Prevents water from entering the motor housing through a cut cord
- Easy to replace in the field without having to run a new power cord
- Available in lengths up to 100'

### SWITCH

- Piggy-back switch design
- Defective switches can be diagnosed over the phone
- Pump can be operated manually or supplied with other piggy-back switches
- Switch can be replaced

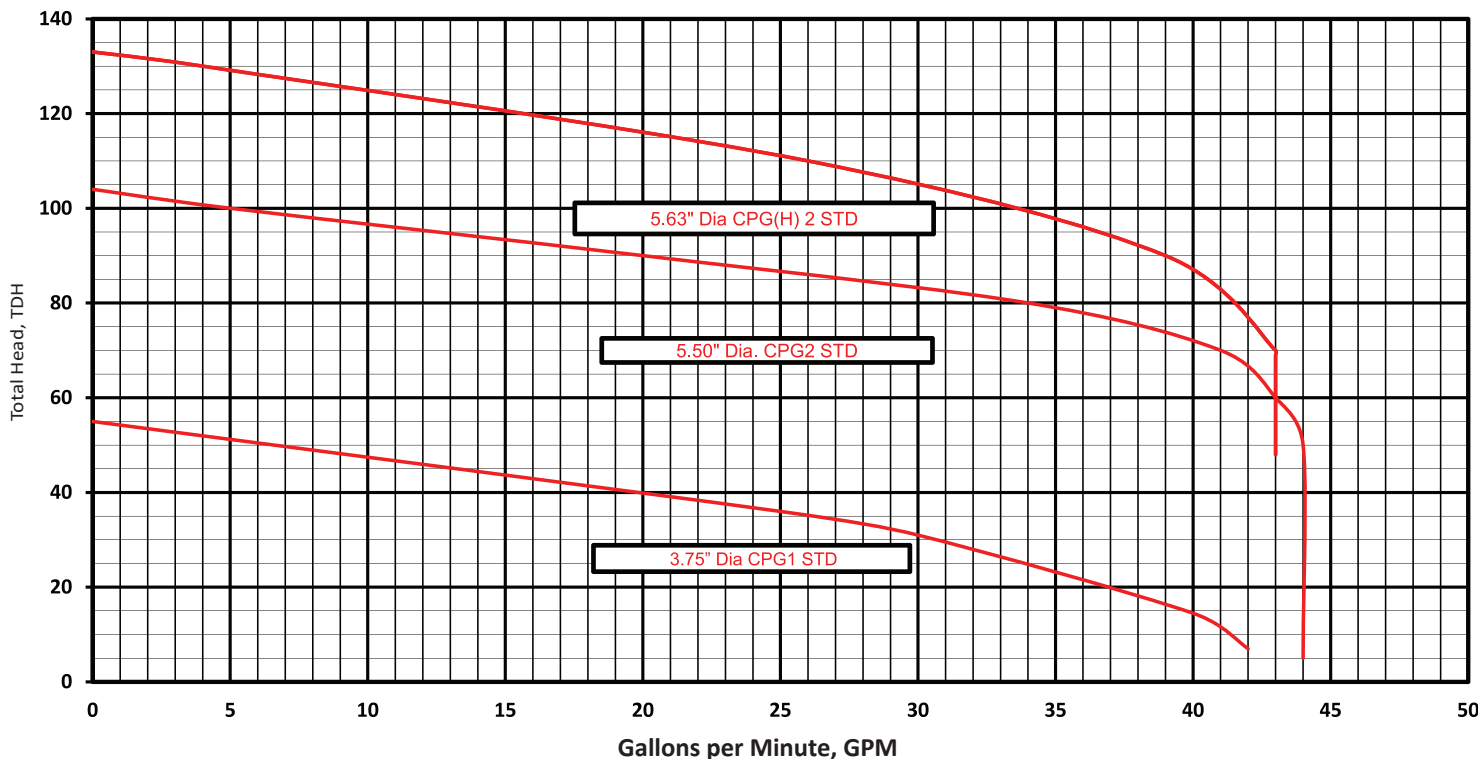
## APPLICATIONS

Residential developments, commercial developments and wastewater applications



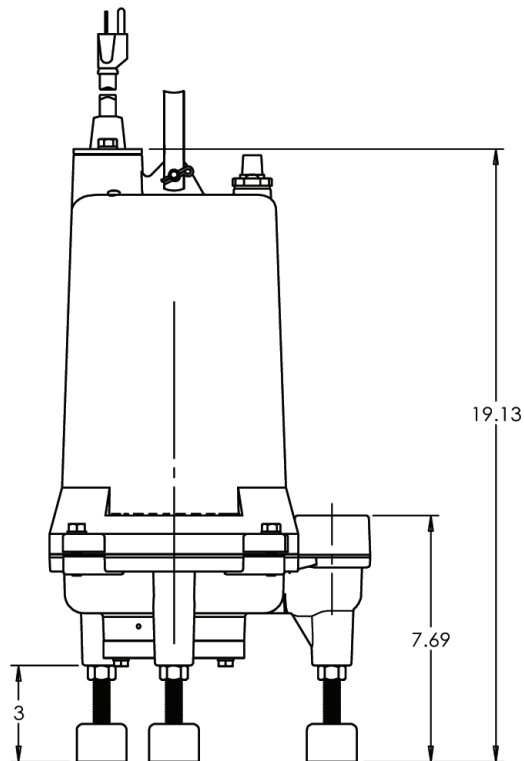
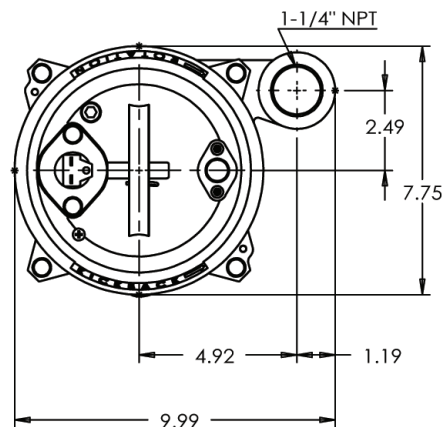
1 & 2 HP grinder pumps that have a 1 1/4" vertical discharge (optional 2" adapter available), and can grind up to 3" solids, and be installed on a rail system or with the supplied legs

## PERFORMANCE CURVE



## TECHNICAL DATA

<b>DISCHARGE</b>	1 1/4" NPT. Vertical standard or optional 2"
<b>LIQUID TEMPERATURE</b>	140 Degrees F. (Intermittent)
<b>MOTOR HOUSING</b>	Cast Iron
<b>VOLUTE</b>	Cast Iron
<b>SEAL PLATE</b>	Cast Iron
<b>IMPELLER</b>	Cast Iron / Vortex
<b>SOLIDS HANDLING</b>	3"
<b>SHAFT</b>	Stainless Steel
<b>SEAL PLATE</b>	Cast Iron
<b>SHAFT SEAL (SINGLE SEAL)</b>	Single Mechanical, Carbon-Rotating Face, Ceramic-Stationary Face, Buna-N Elastomer, 300 Series Stainless Steel Hardware
<b>BEARINGS (UPPER &amp; LOWER)</b>	Single Row, Ball, Oil Lubricated
<b>HARDWARE</b>	300 Series Stainless Steel
<b>O-RINGS</b>	Buna-N
<b>CORD</b>	10' Length standard. Up to 30' with plug and 100' without plug. (UL/CSA) (SO) 14 AWG (.375 OD), Type SJOW
<b>MOTOR (SINGLE PHASE)</b>	1 or 2 HP 3450 RPM. 60Hz, Includes Overload Protection in the Motor. Oil Filled, Class F Permanent Split Capacitor
<b>WEIGHT</b>	78 lbs. (Manual)



## MODEL(S) INFORMATION

MODEL	HP	VOLTS	PHASE	AMPS	CORD LENGTH	SWITCH	REQUIRES PANEL
CPG1011V	1	115	1	13	10'	Vertical Float	No
CPG1012V	1	115	1	13	20'	Vertical Float	No
CPG1011(A)	1	115	1	13	10'	M (Wide-Angle Float)	No
CPG1012(A)	1	115	1	13	20'	M (Wide-Angle Float)	No
CPG1022(A)	1	208/230	1	7.2/6.5	20'	M (Wide-Angle Float)	No
CPG2021(A)	2	208/230	1	17/15	10'	M (Wide-Angle Float)	No
CPG2022(A)	2	208/230	1	17/15	20'	M (Wide-Angle Float)	No
CPGH2021(A)	2	208/230	1	17/15	10'	M (Wide-Angle Float)	No
CPGH2022(A)	2	208/230	1	17/15	20'	M (Wide-Angle Float)	No