

Every pump tested in water to ensure pump meets performance curve.



FEATURES/BENEFITS

PERFORMANCE

- Heads up to 65' TDH
- Flows up to 86 GPM

MOTOR

- High efficient, 115v or 230v, oil filled, permanent split capacitor motor with upper and lower ball bearings and thermal overload protection
- Constant bearing lubrication
- Maximum motor cooling
- Runs cooler and lasts longer
- Internal overload protection
- Quiet operation
- Fasteners and shaft made from rugged, corrosion resistant stainless steel

SEAL DESIGN

- Type 21 inboard seal design with secondary exclusion seal
- Rotating components of seal are in the motor housing, being lubricated by the motor oil preventing foreign matter from wrapping around the seal components
- Seal will last longer if the pump runs dry
- Secondary exclusion seal keeps debris from entering the seal cavity

IMPELLER DESIGN

- Non-clog style, cast-iron vortex impeller (CPEH Thermoplastic Vortex)
- Designed to help reduce clogging by foreign material

POWER CORD

- Sealed entry quick disconnect power cords
- Prevents water from entering the motor housing through a cut cord
- Easy to replace in the field
- Available in lengths up to 100'

SWITCH

- Piggy-back switch design
- Defective switches can be diagnosed over the phone
- Pump can be operated manually or supplied with other piggy-back switches
- Switch can be replaced without having to replace the pump

APPLICATIONS

Dewatering, septic systems, residential and commercial developments, elevator pits and STEP systems



Vertical Float

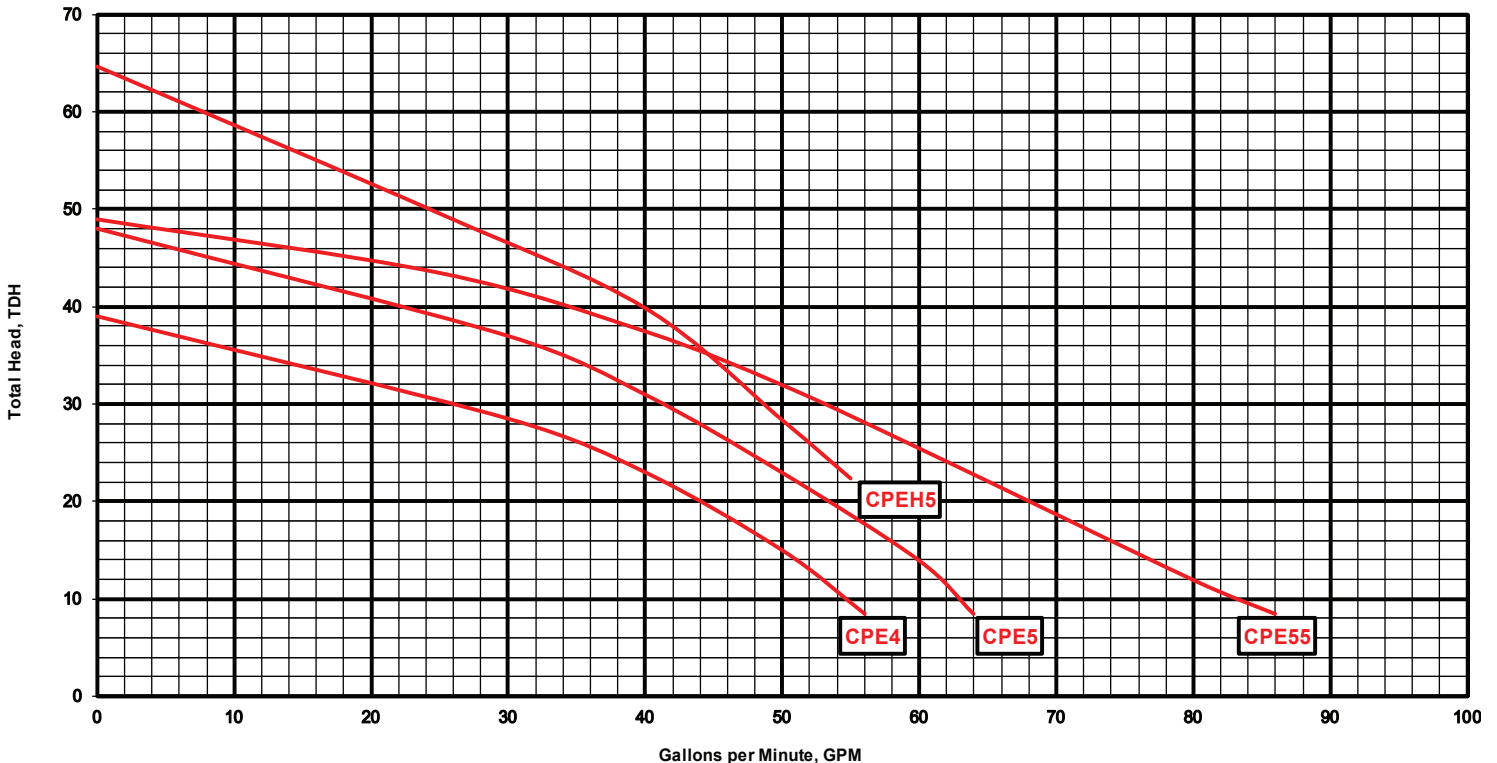
Wide-Angle Float

4/10-1/2 HP submersible pumps that handle up to 3/4" solids with 2" discharge



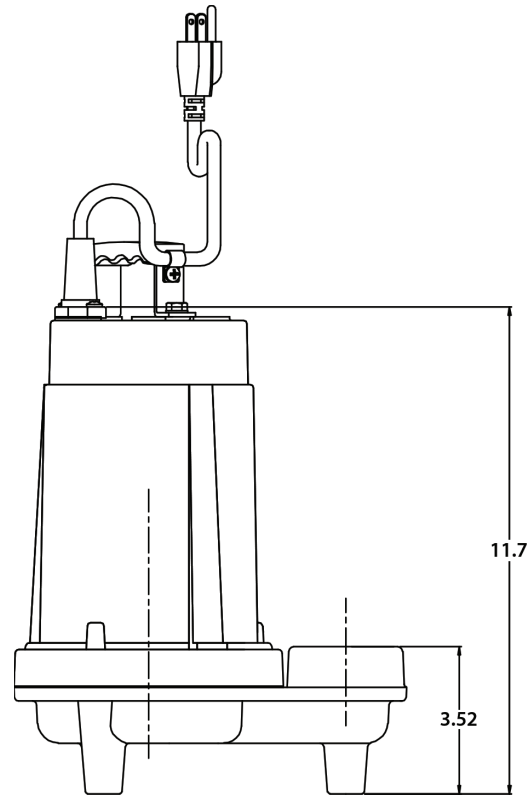
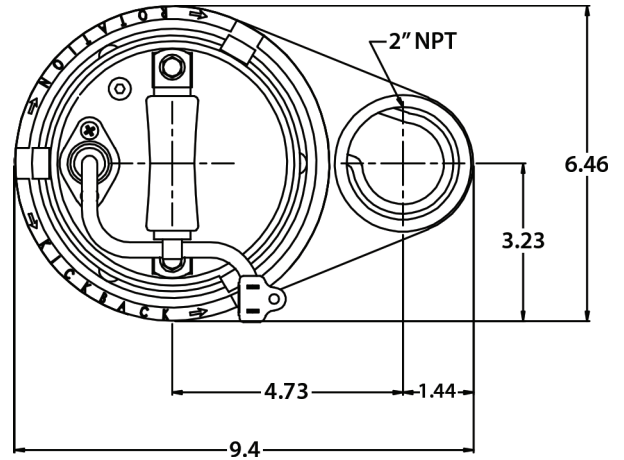
**PUMP SUPPLY
 INCORPORATED**

PERFORMANCE CURVE



TECHNICAL DATA

DISCHARGE	2" NPT. vertical standard
LIQUID TEMPERATURE	140 Degrees F. (Intermittent)
MOTOR HOUSING	Cast Iron
VOLUTE	Cast Iron
SEAL PLATE	Cast Iron
IMPELLER	Cast Iron / Vortex (CPEH thermoplastic vortex)
SOLIDS HANDLING	3/4"
SHAFT	Stainless Steel
SHAFT SEAL (SINGLE SEAL)	Inboard mechanical with secondary exclusion V-Seal, carbon rotating face, ceramic stationary face, Buna-N elastomer, 300 series stainless steel hardware
BEARINGS (UPPER & LOWER)	Single row, ball, oil lubricated
HARDWARE	300 Series stainless steel
O-RINGS	Buna-N
CORD	20' Length standard. Up to 100' available. (UL/CUL) Listed 16 AWG, Type SJTW
MOTOR (SINGLE PHASE)	4/10-1/2 HP 3450 RPM, 60 Hz, NEMA L Includes Overload Protection in the motor, oil filled, class B permanent split capacitor
WEIGHT	37 lbs. (Manual)



MODEL(S) INFORMATION

MODEL	HP	VOLTS	PHASE	AMPS	CORD LENGTH	SWITCH
CPE4-12 / CPE5-12 / CPE55-12 / CPEH5-12	4/10 - 1/2	115	1	6.6 / 8.5 / 10.5 / 11.5	20'	Manual
CPE4-13 / CPE5-13 / CPE55-13 / CPEH5-13	4/10 - 1/2	115	1	6.6 / 8.5 / 10.5 / 11.5	30'	Manual
CPE4-15 / CPE5-15 / CPE55-15 / CPEH5-15	4/10 - 1/2	115	1	6.6 / 8.5 / 10.5 / 11.5	50'	Manual
CPE4A-12 / CPE5A-12 / CPE55A-12 / CPEH5A-12	4/10 - 1/2	115	1	6.6 / 8.5 / 10.5 / 11.5	20'	Wide-Angle Float
CPE4A-13 / CPE5A-13 / CPE55A-13 / CPEH5A-13	4/10 - 1/2	115	1	6.6 / 8.5 / 10.5 / 11.5	30'	Wide-Angle Float
CPE4V-12 / CPE5V-12 / CPE55V-12 / CPEH5V-12	4/10 - 1/2	115	1	6.6 / 8.5 / 10.5 / 11.5	20'	Vertical Float
CPE4V-13 / CPE5V-13 / CPE55V-13 / CPEH5V-13	4/10 - 1/2	115	1	6.6 / 8.5 / 10.5 / 11.5	30'	Vertical Float
CPE4-22 / CPE5-22 / CPE55-22 / CPEH5-22	4/10 - 1/2	230	1	3.3 / 4.3 / 5.75 / 5.75	20'	Manual
CPE4A-22 / CPE5A-22 / CPE55A-22 / CPEH5A-22	4/10 - 1/2	230	1	3.3 / 4.3 / 5.75 / 5.75	20'	Wide-Angle Float
CPE4V-22 / CPE5V-22 / CPE55V-22 / CPEH5V-22	4/10 - 1/2	230	1	3.3 / 4.3 / 5.75 / 5.75	20'	Vertical Float