

Champion Pump

CP6NC

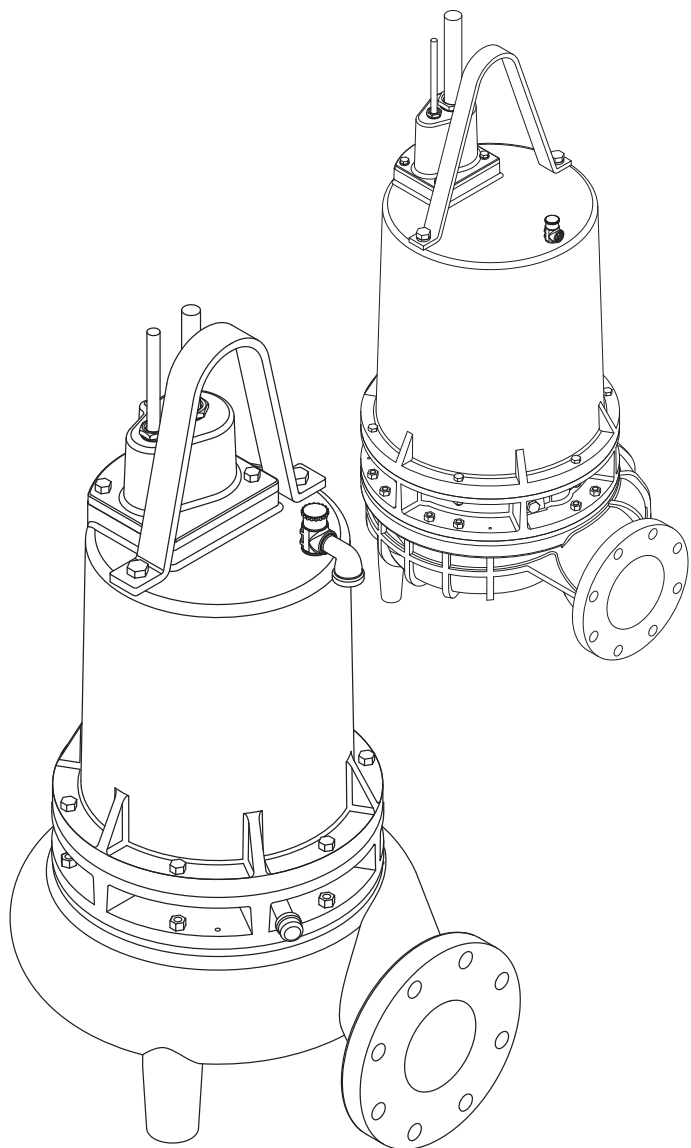
9HP thru 60HP Submersible Non-Clog

No: CP6NC - 04/15



PUMP SUPPLY INCORPORATED

INSTALLATION, SERVICE & PARTS MANUAL



**1150RPM, 60HZ
1750RPM, 60Hz**

Illinois Location:
(847) 841-7867
860 Church Rd Elgin, IL 60120

Minnesota Location:
(651) 758-7867
330 Mill Bay South Suite 100
Afton, MN 55001

PumpSupplyInc.com



General Safety Information

Before installation, read the following instructions carefully. Failure to follow instruction and Safety information could cause serious bodily injury, death and/or property damage. Each Champion Pump is individually factory tested to insure proper performance. Closely following these instructions will eliminate potential operating problems, assuring years of trouble-free service.

▲ DANGER "Danger" indicates a hazardous situation which, if not avoided, WILL result in death or serious injury.

▲ WARNING "Warning" indicates a hazardous situation which, if not avoided, MAY result in death or serious injury.

▲ CAUTION "Caution" indicates a hazardous situation which, if not avoided, MAY result in minor or moderate injury.

IMPORTANT - Champion Pump is not responsible for losses, injury or death resulting from failure to observe these safety precautions, misuse, abuse or misapplication of pumps or equipment.

ALL RETURNED PRODUCTS MUST BE CLEANED, SANITIZED, OR RECONTAMINATED PRIOR TO SHIPMENT, TO INSURE EMPLOYEES WILL NOT BE EXPOSED TO HEALTH HAZARDS IN HANDLING SAID MATERIAL. ALL APPLICABLE LAWS AND REGULATIONS SHALL APPLY.

▲ WARNING Installation, wiring, and junction connections must be in accordance with the National Electric Code and all applicable state and local codes. Requirements may vary depending on usage and location.

▲ WARNING Installation and servicing is to be conducted by qualified personnel only.

▲ DANGER Keep clear of suction and discharge openings. **Do not** insert fingers in pump with power connected.

▲ WARNING Always wear eye protection when working on pumps. Do not wear loose clothing that may become entangled in moving parts

▲ DANGER Pumps build up heat and pressure during operation. Allow time for pumps to cool before handling or servicing.

▲ DANGER This pump is **not** intended for use in swimming pools or water installations where human contact with pumped fluid.

▲ DANGER Risk of electric shock. To reduce risk of electric shock, always disconnect pump from power source before handling. **Lock out power & tag.**

▲ WARNING **Do not** use these pumps in water over 104°F. **Do not** exceed manufactures recommended maximum performance, as this could cause the motor to overheat.

▲ DANGER **Do not** lift, carry or hang pump by the electrical cables. Damage to the electrical cables can cause shock, burnes or death. **Never** handle connected power cords with wet hands. Use appropriate lifting device.

▲ WARNING Sump and sewage pumps often handle materials which could cause illness or disease. wear adequate protective clothing when working on a used pump or piping. Never enter a basin after it has been used.

▲ DANGER Failure to permanently ground the pump, motor and controls before connecting to power can cause shock, burns or death.

▲ WARNING These pumps are **NOT** to be installed in locations classified as hazardous in accordance with the National Electric Code, ANSI/NFPA 70.

IMPORTANT! Prior to installation, record Model Number, MFG Date, Amps, Voltage, Phase and HP, from pump name plate for future reference. Also record the Voltage and Current Readings at Startup:

1 Phase Models	
Amps:	Volts:
3 Phase Models	
Amps L1-2:	Volts L1-2:
Amps L2-3:	Volts L2-3:
Amps L3-1:	Volts L3-1:

Model Number: _____

MFG Date: _____

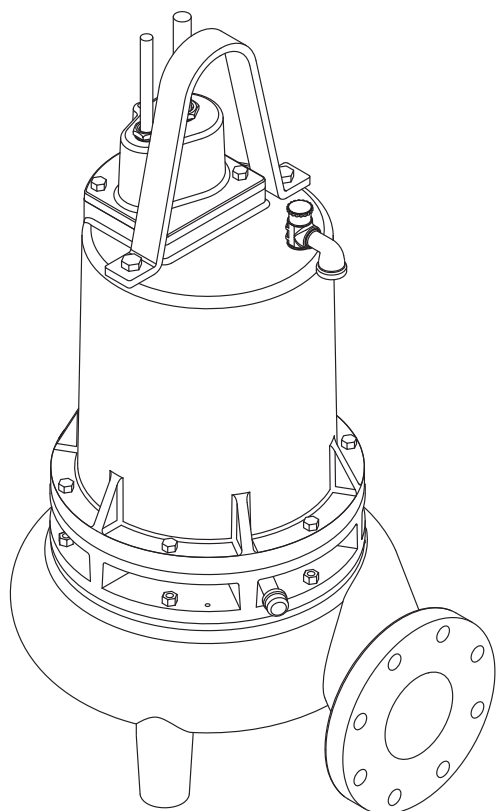
PHASE: _____ HP: _____

Other brand and product names are trademarks or registered trademarks of their respective holders. Alteration Rights Reserved. 5/13



PUMP SUPPLY
INCORPORATED

Specifications



DISCHARGE	6" 125 lb., Flange Horizontal
LIQUID TEMPERATURE	104°F Continuous
MOTOR HOUSING	Cast Iron, Class 30
VOLUTE	Cast Iron, Class 30
IMPELLER	Single vane, enclosed type with pump out vanes on back side, Dynamically balanced, ISO G6.3, Cast Iron, Class 30
SOLIDS HANDLING	3" spherical
SHAFT	Stainless steel
SEAL PLATE	Cast Iron, Class 30
PAINT	Air dry enamel
SQUARE RINGS	Buna-N
HARDWARE	Stainless steel
SEAL	Double mechanical, Oil Filled pressure equalized reservoir, Silicon Carbide outer seal
UPPER BEARING	Single row, ball, oil lubricated
LOWER BEARING	Double row, ball, oil lubricated
POWER CORD	25 Ft. Cord. Epoxy sealed housing with secondary Pressure grommet for sealing and strain relief.
MOTOR	Class F Insulation, Oil Filled
THREE PHASE	230/460 Volt. Dual Voltage. Requires overload protection to be included in control panel
MOISTURE SENSOR	Normally open (N/O), requires relay in control panel
TEMPERATURE SENSOR	Normally closed (N/C), requires relay in control panel

**CP6NC9096, CP6NC9046,
CP6NC12096, CP6NC12046,
CP6NC18096, CP6NC18046,
CP6NC24096, CP6NC24046,
CP6NC30096, CP6NC30046**

1150RPM, 60Hz

**CP6NC18034, CP6NC18044
CP6NC24034, CP6NC24044
CP6NC30034, CP6NC30044
CP6NC36034, CP6NC36044
CP6NC48044, CP6NC60044**

1750RPM, 60Hz

Illinois Location:
(847) 841-7867
860 Church Rd Elgin, IL 60120

Minnesota Location:
(651) 758-7867
330 Mill Bay South Suite 100
Afton, MN 55001

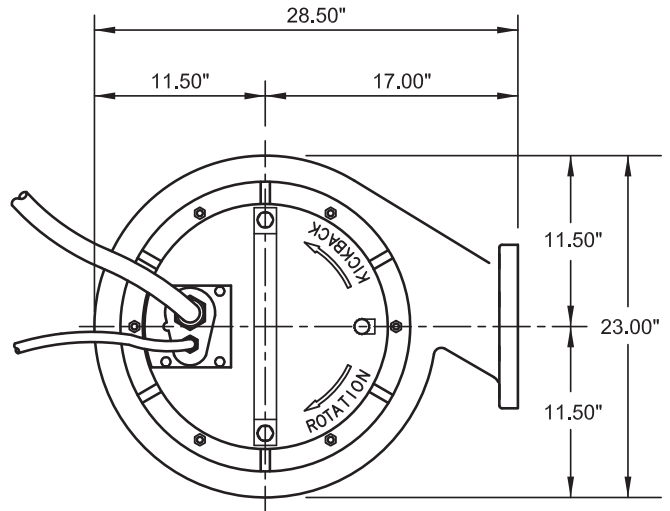
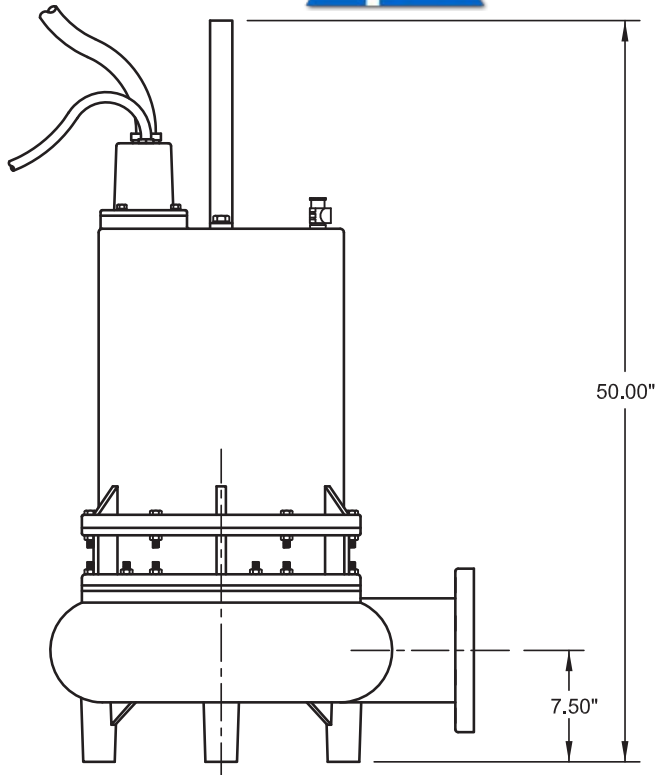
PumpSupplyInc.com

**PUMP SUPPLY
INCORPORATED**

Specifications & Dimensions



PUMP SUPPLY
INCORPORATED



MODEL	HP	Hz	Volts/Ph	RPM	NEMA START CODE	FULL LOAD AMPS	LOCKED ROTOR AMPS	CORD SIZE	CORD TYPE	CORD O.D. inch
CP6NC9096	9	60	230/3	1150	F	26.0	162.0	6/3-3G	G	1.01
CP6NC9046	9	60	460/3	1150	J	13.0	81.0	6/3-3G	G	1.01
CP6NC12096	12	60	230/3	1150	D	36.0	162.0	6/3-3G	G	1.01
CP6NC12046	12	60	460/3	1150	F	18.0	81.0	6/3-3G	G	1.01
CP6NC18096	18	60	230/3	1150	C	50.0	232.0	6/3-3G	G	1.01
CP6NC18046	18	60	460/3	1150	F	25.0	116.0	6/3-3G	G	1.01
CP6NC24096	24	60	230/3	1150	C	64.0	290.0	6/3-3G	G	1.01
CP6NC24046	24	60	460/3	1150	E	32.0	145.0	6/3-3G	G	1.01
CP6NC30096	30	60	230/3	1150	C	82.0	364.0	2/3-3G	G	1.34
CP6NC30046	30	60	460/3	1150	E	41.0	182.0	2/3-3G	G	1.34

Winding resistance \pm 5% at terminal block. Rated operation at \pm 10% voltage at motor.
Moisture/Temperature sensor cable for all models is 18/5 SOW, 0.476 inch O.D.

Illinois Location:
(847) 841-7867
860 Church Rd Elgin, IL 60120

Minnesota Location:
(651) 758-7867
330 Mill Bay South Suite
Afton, MN 55001

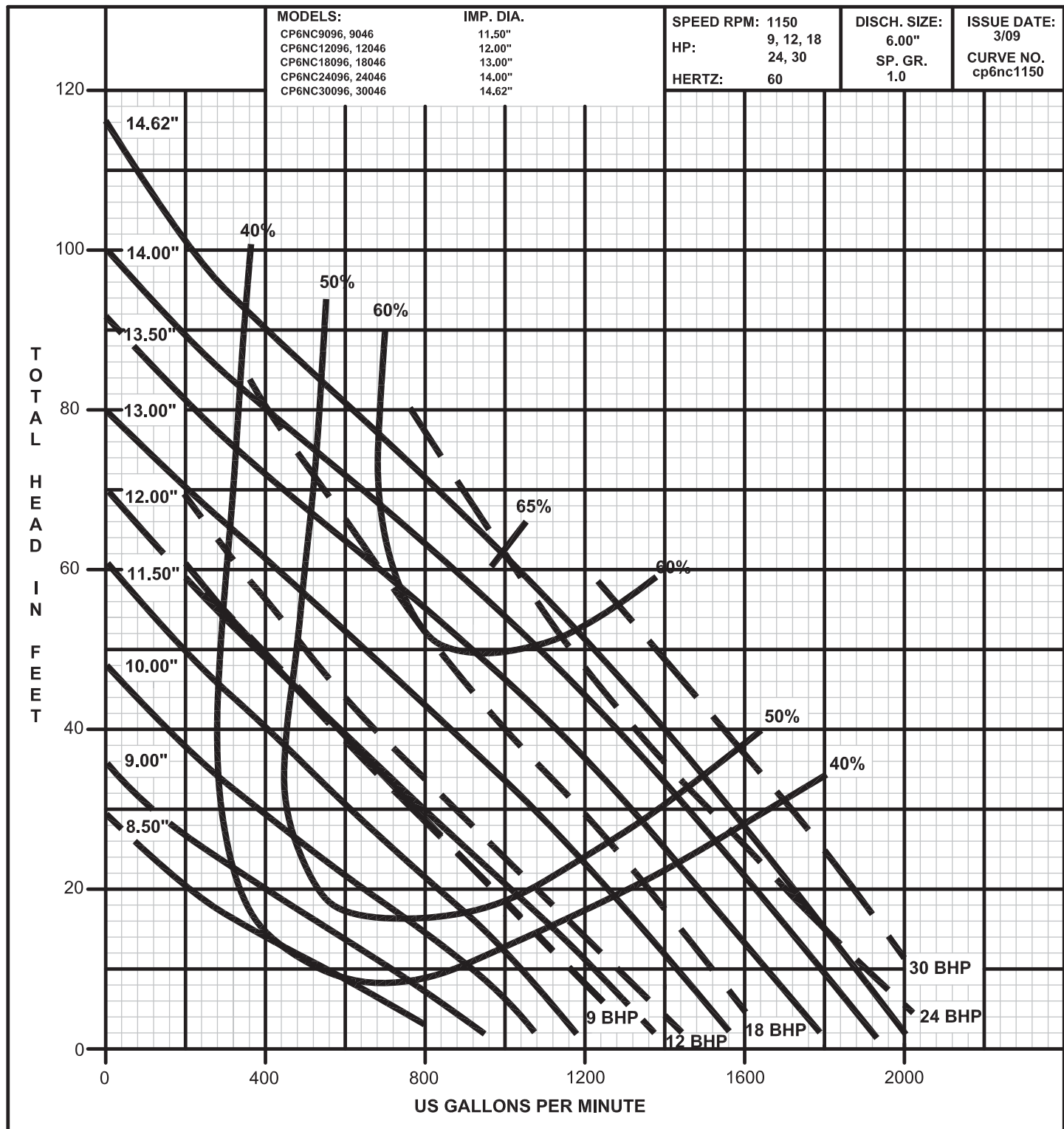
PumpSupplyInc.com



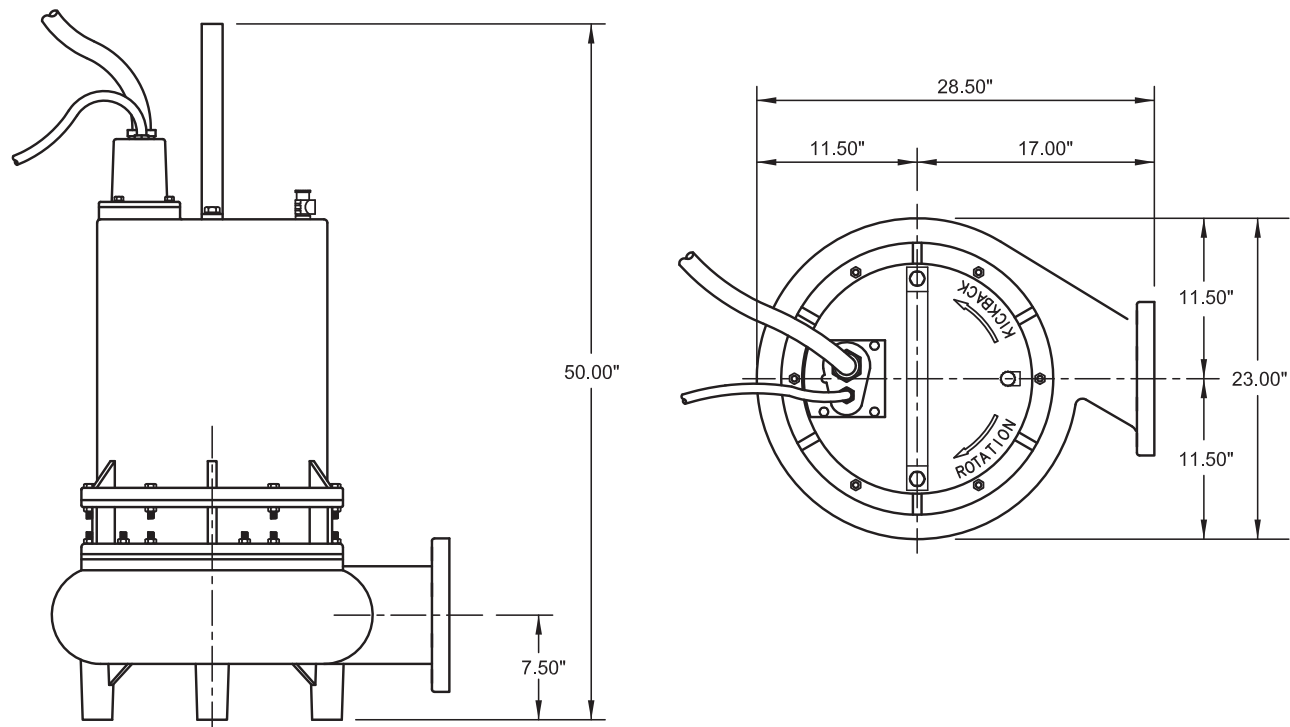
Performance



**PUMP SUPPLY
INCORPORATED**



Specifications & Dimensions




MODEL	HP	Hz	Volts/Ph	RPM	NEMA START CODE	FULL LOAD AMPS	LOCKED ROTOR AMPS	CORD SIZE	CORD TYPE	CORD O.D. inch
CP6NC18034	18	60	230/3	1750	F	50.6	232.0	6/3-3G	G	1.01
CP6NC18044	18	60	460/3	1750	F	25.3	116.0	6/3-3G	G	1.01
CP6NC24034	24	60	230/3	1750	E	62.8	290.0	6/3-3G	G	1.01
CP6NC24044	24	60	460/3	1750	E	31.4	145.0	6/3-3G	G	1.01
CP6NC30034	30	60	230/3	1750	E	75.8	364.0	2/3-3G	G	1.34
CP6NC30044	30	60	460/3	1750	E	37.9	182.0	2/3-3G	G	1.34
CP6NC36034	36	60	230/3	1750	E	90.0	434.0	2/3-3G	G	1.34
CP6NC36044	36	60	460/3	1750	E	45.0	217.0	2/3-3G	G	1.34
CP6NC48044	48	60	460/3	1750	E	65.0	290.0	2/3-3G	G	1.34
CP6NC60044	60	60	460/3	1750	E	78.0	363.0	2/3-3G	G	1.34


Winding resistance \pm 5% at terminal block. Rated operation at \pm 10% voltage at motor.
 Moisture/Temperature sensor cable for all models is 18/5 SOW, 0.476 inch O.D.

Illinois Location:
 (847) 841-7867
 860 Church Rd Elgin, IL 60120

Minnesota Location:
 (651) 758-7867
 330 Mill Bay South Suite
 Afton, MN 55001

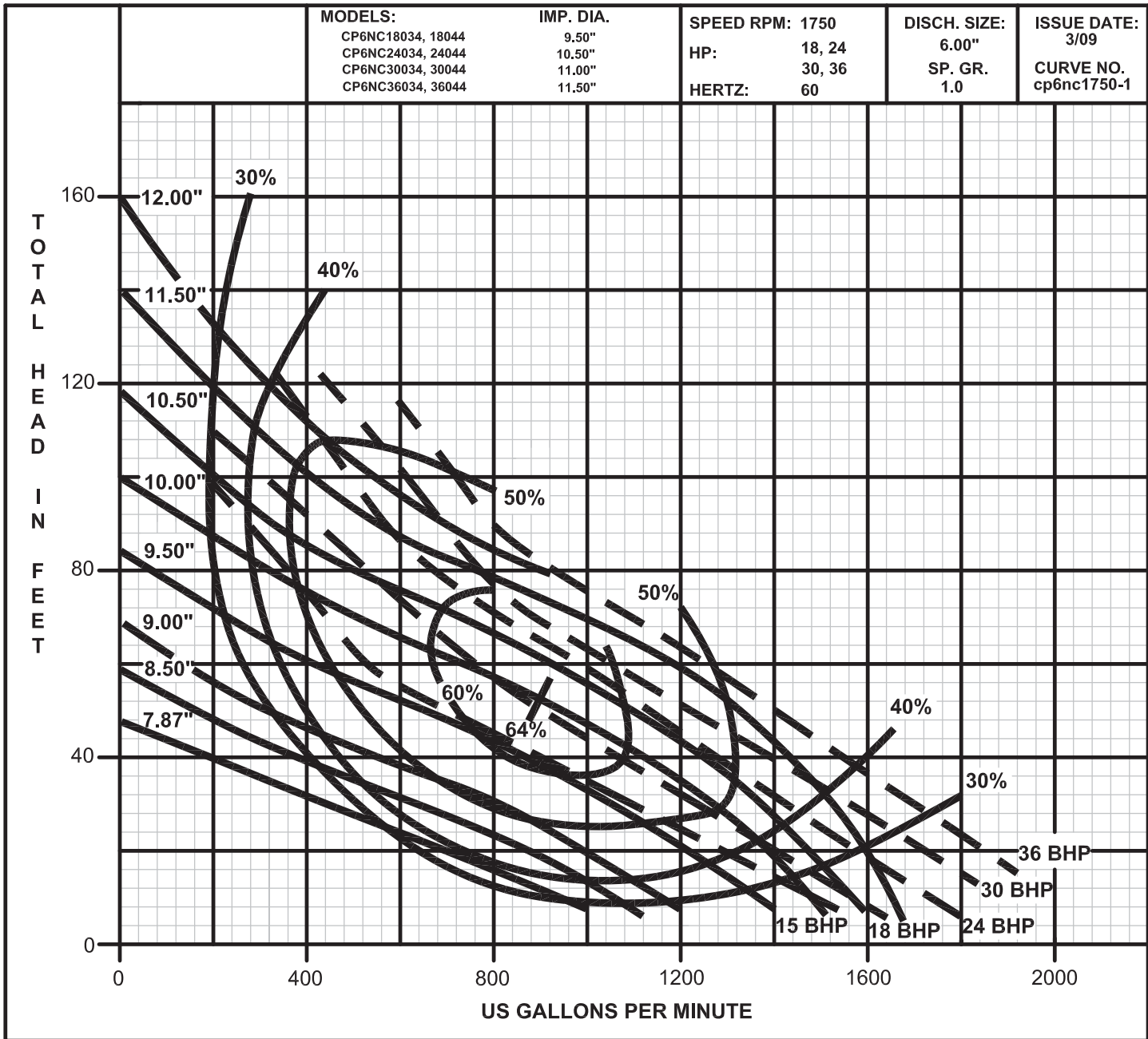
PumpSupplyInc.com





PUMP SUPPLY
 INCORPORATED


Performance



Illinois Location:
 (847) 841-7867
 860 Church Rd Elgin, IL 61120

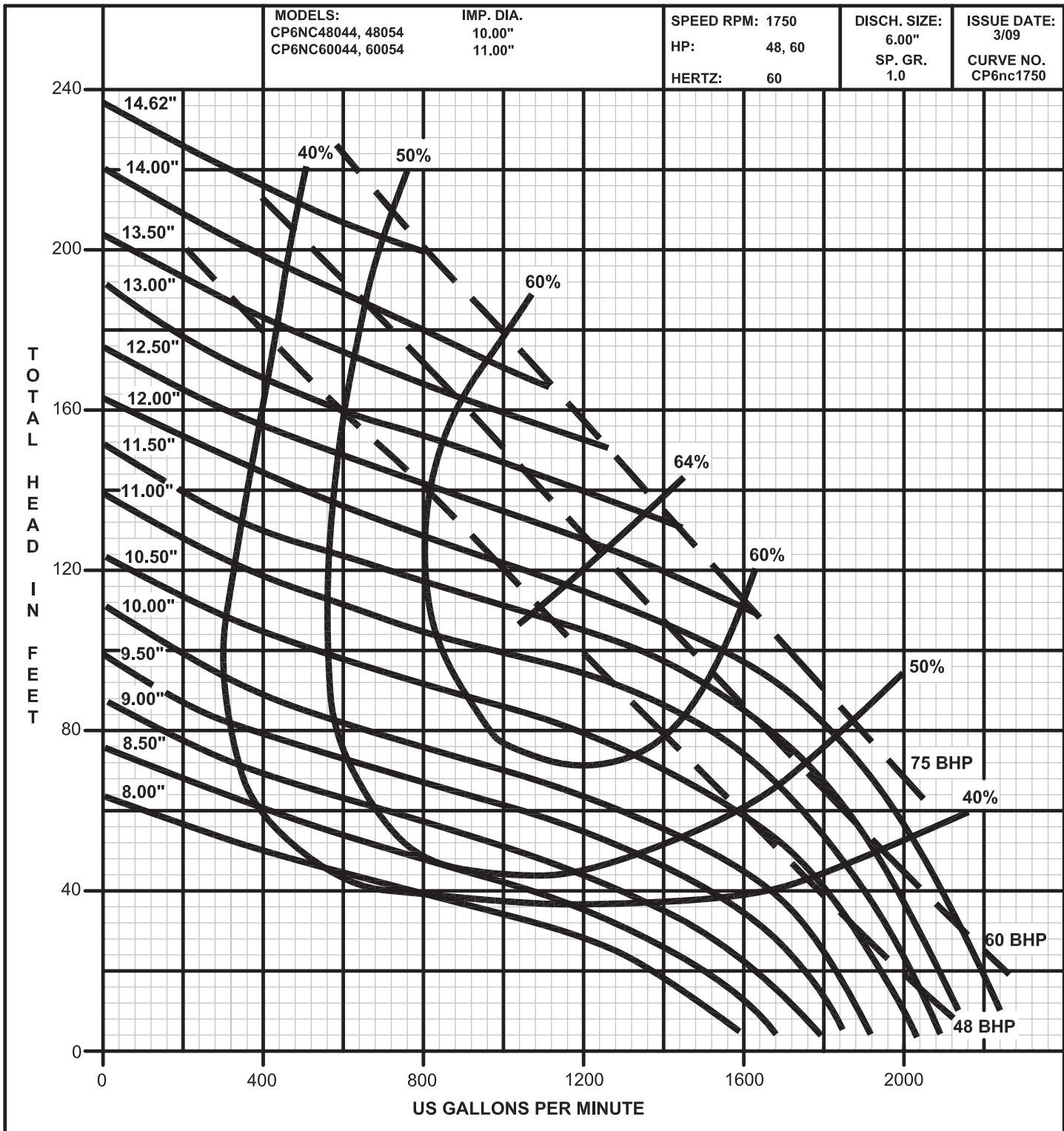
Minnesota Location:
 (651) 758-7867
 330 Mill Bay South Suite 100
 Afton, MN 55001

PumpSupplyInc.com



PS **PUMP SUPPLY**
 INCORPORATED

Performance



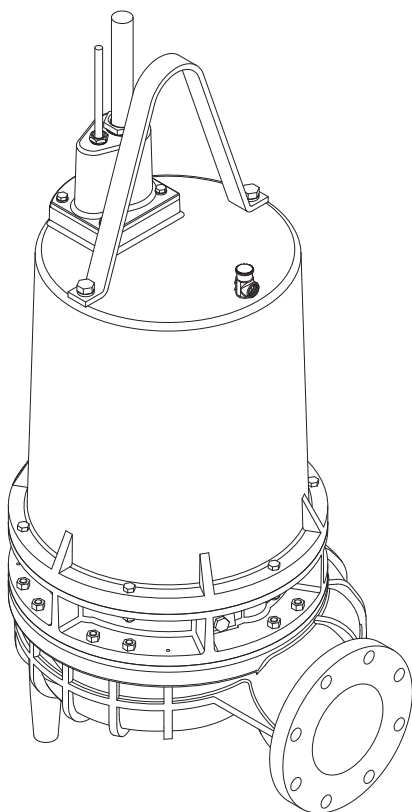
Illinois Location:
 (847) 841-7867
 860 Church Rd Elgin, IL 61

Minnesota Location:
 (651) 758-7867
 330 Mill Bay South Suite
 Afton, MN 55001

PumpSupplyInc.com

PUMP SUPPLY
INCORPORATED

Specifications



**CP6NC30034H,
CP6NC30044H,
CP6NC36034H,
CP6NC36044H,
CP6NC48044H,
CP6NC60044H**

1750RPM, 60Hz

DISCHARGE	6" 125 lb., Flange Horizontal
LIQUID TEMPERATURE	104°F Continuous
MOTOR HOUSING	Cast Iron, Class 30
VOLUTE	Cast Iron, Class 30 with Bronze wear ring
IMPELLER	3 vane, enclosed type with pump out vanes on back side, Dynamically balanced, ISO G6.3, Cast Iron, Class 30
SOLIDS HANDLING	3" spherical
SHAFT	Stainless steel
SEAL PLATE	Cast Iron, Class 30
PAINT	Air dry enamel
SQUARE RINGS	Buna-N
HARDWARE	Stainless steel
SEAL	Double mechanical, Oil Filled pressure equalized reservoir, Silicon Carbide outer seal
UPPER BEARING	Single row, ball, oil lubricated
LOWER BEARING	Double row, ball, oil lubricated
POWER CORD	25 Ft. Cord. Epoxy sealed housing with secondary Pressure grommet for sealing and strain relief.
MOTOR	Class F Insulation, Oil Filled
THREE PHASE	230/460 Volt. Dual Voltage. Requires overload protection to be included in control panel
MOISTURE SENSOR	Normally open (N/O), requires relay in control panel
TEMPERATURE SENSOR	Normally closed (N/C), requires relay in control panel

Illinois Location:

(847) 841-7867

860 Church Rd Elgin, IL 60

Minnesota Location:

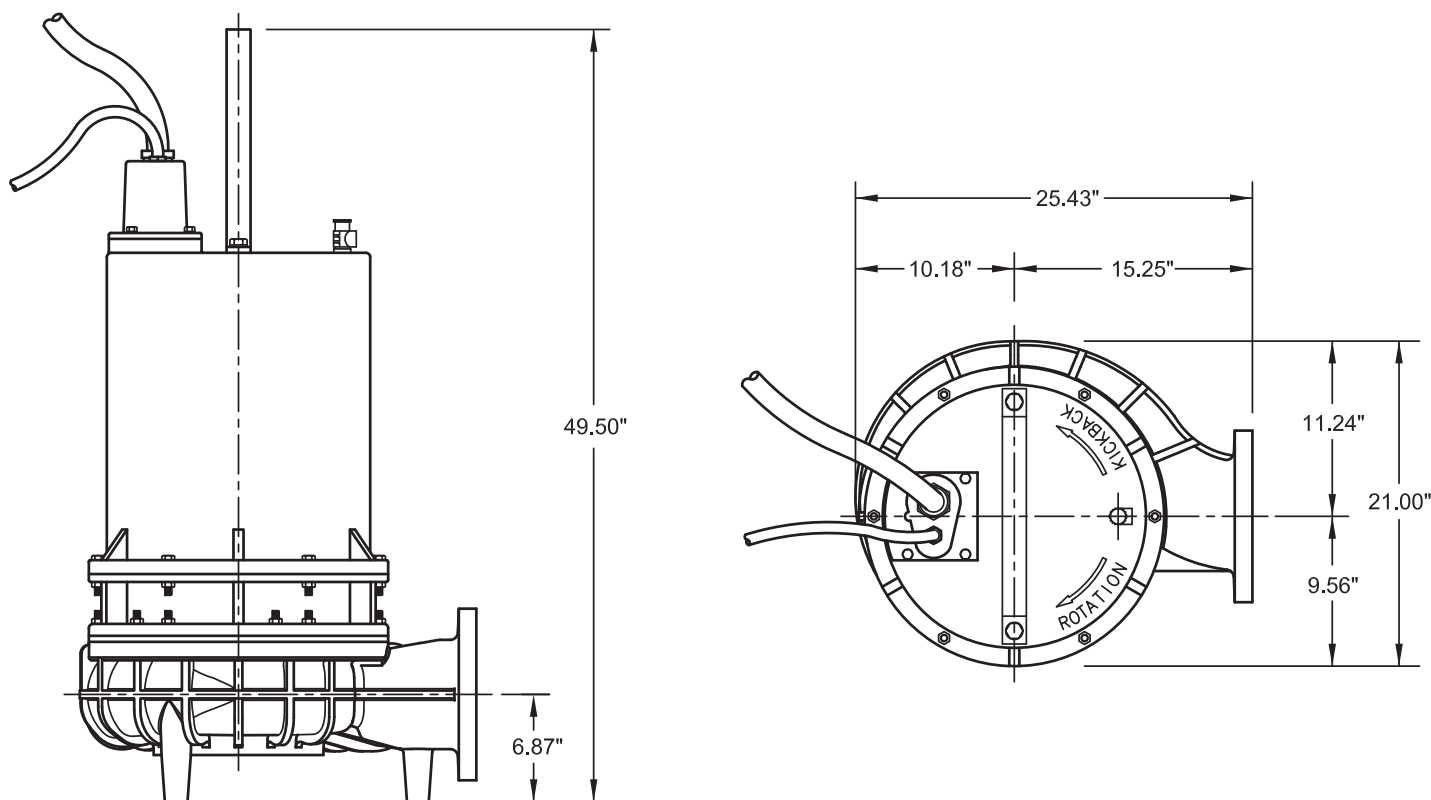
(651) 758-7867

330 Mill Bay South Suite :
Afton, MN 55001

PumpSupplyInc.com



Specifications & Dimensions



MODEL	HP	Hz	Volts/Ph	RPM	NEMA START CODE	FULL LOAD AMPS	LOCKED ROTOR AMPS	CORD SIZE	CORD TYPE	CORD O.D.
CP6NC30034H	30	60	230/3	1750	E	76.0	364.0	2/3-3G	G	1.34
CP6NC30044H	30	60	460/3	1750	E	38.0	182.0	2/3-3G	G	1.34
CP6NC36034H	36	60	230/3	1750	E	90.0	434.0	2/3-3G	G	1.34
CP6NC36044H	36	60	460/3	1750	E	45.0	217.0	2/3-3G	G	1.34
CP6NC48044H	48	60	460/3	1750	E	65.0	290.0	2/3-3G	G	1.34
CP6NC60044H	60	60	460/3	1750	E	78.0	363.0	2/3-3G	G	1.34

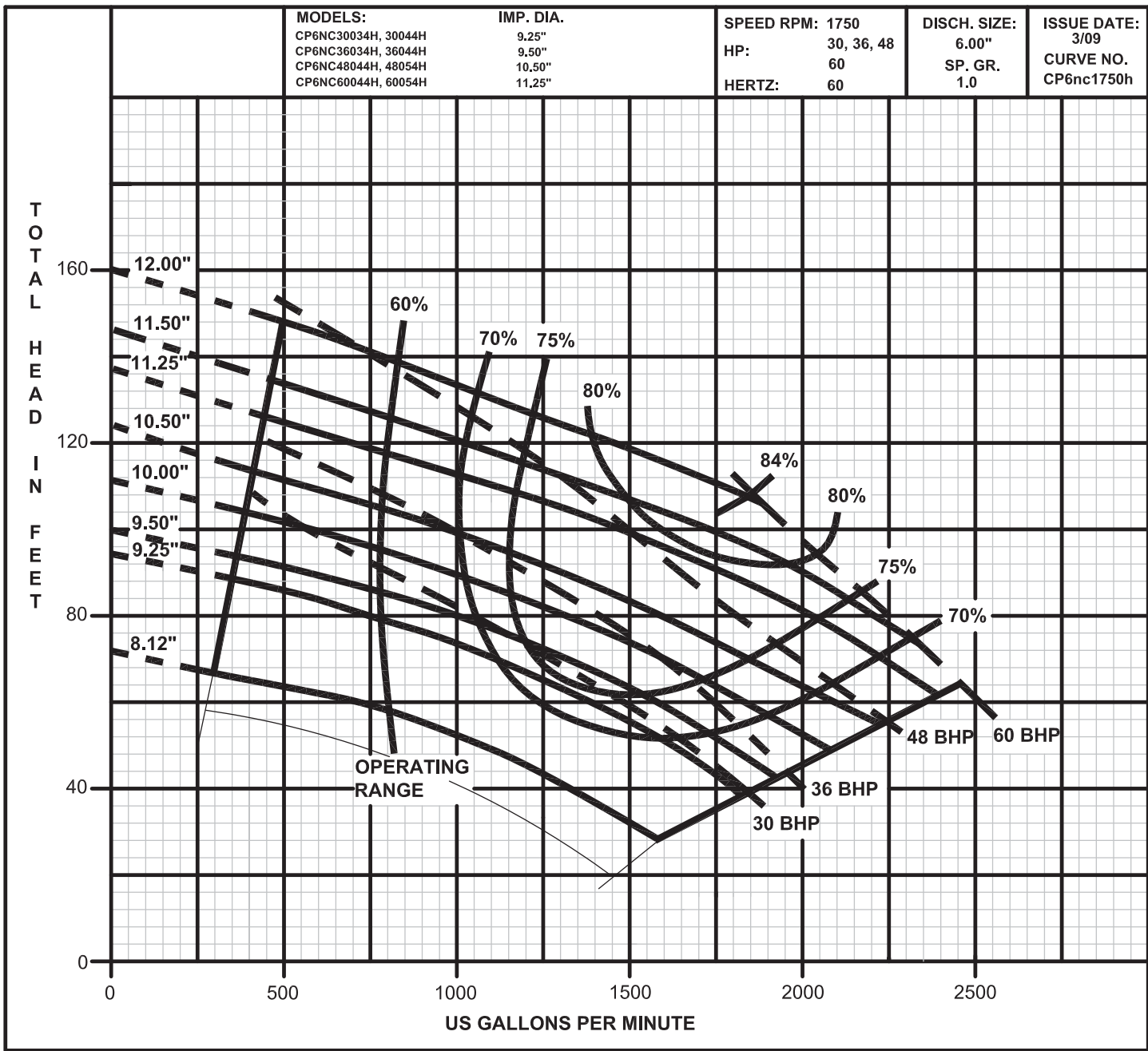
Winding resistance $\pm 5\%$ at terminal block. Rated operation at $\pm 10\%$ voltage at motor.
 Moisture and Temperature sensor cable for all models is 18/5 SOW, 0.476" O.D. $\pm .02$ "

Illinois Location:
 (847) 841-7867
 860 Church Rd Elgin, IL 61

Minnesota Location:
 (651) 758-7867
 330 Mill Bay South Suite
 Afton, MN 55001

PumpSupplyInc.com


Performance



Illinois Location:
(847) 841-7867
860 Church Rd Elgin, IL 61120

Minnesota Location:
(651) 758-7867
330 Mill Bay South Suite 100
Afton, MN 55001

PumpSupplyInc.com



PUMP SUPPLY
INCORPORATED

Receiving & Installation

Receiving Inspection

Upon receiving the pump, it should be inspected for damage or shortages. If damage has occurred, file a claim immediately with the company that delivered the pump. If the manual is removed from the packaging, do not lose or misplace.

Storage

Any product that is stored for a period longer than six (6) months from the date of purchase should be bench tested prior to installation. A bench test consists of, checking the impeller to assure it is free turning and a run test to assure the motor (and switch if provided) operate properly. Do not pump out of liquid.

Controls

Manual models require a separate approved pump control device or panel for automatic operation. Be sure the electrical specification of the control selected properly match the electrical specifications of the pump.

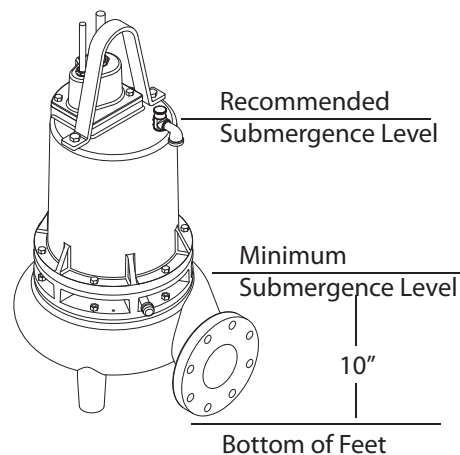


Figure 1

Submergence

The pump should always be operated in the submerged condition. The minimum sump liquid level should never be less than above the pump's volute (See Figure 1).

Installation

These pumps are recommended for use in a sump, basin or lift station. The sump, basin or lift station shall be sealed and vented in accordance with local plumbing codes. **This pump is designed to pump sewage, effluent or wastewater, nonexplosive and noncorrosive liquids and shall NOT be installed in locations classified as hazardous in accordance with the National Electrical Code (NEC) ANSI/NFPA 70 or Canadian Electric Code (CEC).** The pump should never be installed in a trench, ditch, or hole with a dirt bottom. The legs will sink into the dirt and the suction will become plugged.

The installation should be at a sufficient depth to ensure that all plumbing is below the frost line. If this is not feasible, remove the check valve and size the basin to accommodate the additional backflow volume.

Pumps are most commonly installed in simplex, duplex or triplex stations or basins with a slide rail system, which allows the pump(s) to be installed or removed without requiring personnel to enter the station, or resting on the basin floor.

Discharge Piping

Discharge piping should be as short as possible and sized no smaller than the pump discharge. **Do not reduce the discharge pipe size below that which is provided on the pump.**

Both a check valve and a shut-off valve are recommended for each pump. The check valve is used to prevent backflow into the sump. The shut-off valve is used to manually stop system flow during pump servicing.

Liquid Level Controls

The level control(s) should be mounted on the discharge piping, a cable rack or float pole. The level control should have adequate clearance so it cannot hang up in its swing and that the pump is completely submerged when the level control is in the "Off" mode. By adjusting the cord tether the control level can be changed. One cycle of operation should be observed, so that any potential problems can be corrected.

It is recommended that the level control float should be set to insure that the liquid in the sump never drops below the top of the motor housing or a minimum level of 10 inches above the basin floor.

Electrical Connections

Power/control cables:

The power/control cables mounted to the pump must not be modified in any way except for shortening to a specific application. Any splice between the pump and the control panel must be made in accordance with the electric codes. It is recommended that a junction box, if used, be mounted outside the sump or be of at a minimum Nema 4 construction if located within the wet well. **DO NOT USE THE POWER/CONTROL CABLES TO LIFT PUMP.**

Always rely upon a Certified Electrician for installation.



PUMP SUPPLY
INCORPORATED

Installation & Service

Overload Protection:

Single Phase - The stator in-winding overload protector used is referred to as an inherent overheating protector and operates on the combined effect of temperature and current. This means that the overload protector will trip out and shut the pump off if the windings become too hot, or the load current passing through them becomes too high.

IMPORTANT! - The overload will then automatically reset and start the pump up after the motor cools to a safe temperature. In the event of an overload, the source of this condition should be determined and corrected immediately.



WARNING! - DO NOT LET THE PUMP CYCLE OR RUN IF AN OVERLOAD CONDITION OCCURS!

Three Phase - The Normally Closed (N/C) thermal sensor is embedded in the motor windings and will detect excessive heat in the event an overload condition occurs. The thermal sensor will trip when the windings become too hot and will automatically reset when the pump motor cools to a safe temperature. It is recommended that the thermal sensor be connected in series to an alarm device to alert the operator of an overload condition, and/or the motor starter coil to stop the pump. In the event of an overload, the source of this condition should be determined and repaired. **DO NOT LET THE PUMP CYCLE OR RUN IF AN OVERLOAD CONDITION OCCURS!**

Moisture Sensors - A normally open (N/O) sensor rated of 1 watt @330K ohms, 500 volt, is installed in the pump seal chamber which will detect any moisture present. It is recommended that this detector be wired in series to an alarm device or motor starter coil to alert the operator that a moisture detect has occurred. In the event of a moisture detect, check the individual moisture sensor probe leads for continuity, (∞ resistance = no moisture) and the junction box/control box for moisture content. These situations may induce a false signal in the moisture detecting circuit. If none of the above test prove conclusive, the pump(s) should be pulled and the source of the failure repaired. **IF A MOISTURE DETECT HAS OCCURRED MAINTENANCE SHOULD BE PERFORMED AS SOON AS POSSIBLE!**

If current through the temperature sensor exceeds the values listed, an intermediate control circuit relay must be used to reduce the current or the sensor will not work properly.

TEMPERATURE SENSOR ELECTRICAL RATINGS		
Volts	Continuous Amperes	Inrush Amperes
110-120	3.00	30.0
220-240	1.50	15.0
440-480	0.75	7.5
600	0.60	6.0

Wire Size:

If longer power cable is required consult a qualified electrician for proper wire size.

Pre-Operation

- Check Voltage and Phase** - Compare the voltage and phase information stamped on the pump name plate.
- Check Pump Rotation** - Improper motor rotation can result in poor pump performance and can damage the motor and/or pump. Check rotation on three phase units by momentarily applying power and observe the "kickback".

"Kickback" should always be in a counter-clockwise direction as viewed from motor end or opposite to impeller rotation. Incorrect rotation for Single-Phase pumps is unlikely. If the rotation is incorrect contact factory.

- Name Plate** - Record the information from the pump name plate to drawing in front of manual for future reference.
- Insulation Test** - An insulation (megger) test should be performed on the motor. Before the pump is put into service. The resistance values (ohms) as well as the voltage (volts) and current (amps) should be recorded.
- Pump-Down Test** - Be sure pump has been properly wired, lowered into the basin, sump or lift station, check the system by filling with liquid and allowing the pump to operate through its pumping cycle. The time needed to empty the system, or pump-down time along with the volume of water, should be recorded.

Illinois Location:
(847) 841-7867
860 Church Rd Elgin, IL 60120

Minnesota Location:
(651) 758-7867
330 Mill Bay South Suite
Afton, MN 55001

PumpSupplyInc.com

PUMP SUPPLY
INCORPORATED

Service

Maintenance

No lubrication or maintenance is required. Perform the following checks when pump is removed from operation or when pump performance deteriorates:

- Inspect motor and seal chambers for oil level and contamination.
- Inspect impeller and body for excessive build-up or clogging.
- Inspect motor, bearings and replace if required.
- Inspect seal for wear or leakage, replace if required.

Servicing

Reference Figure 6 .

Cooling Oil - Anytime the pump is removed from operation, the cooling oil in the motor housing should be checked visually for oil level and contamination. To check oil, set unit upright. Remove cap screws (6), lift conduit box assembly (4) from motor housing (3), **Do Not** disconnect wiring from motor leads. With a flashlight, visually inspect the oil in the motor housing (3) to make sure it is clean and clear, light amber in color and free from suspended particles. Milky white oil indicates the presence of water. Oil level should be just above the motor when pump is in vertical position.

Seal Chamber - Drain oil from seal chamber by placing pump on its side with pipe plug (18) downward and remove pipe plug (18). If the oil is found to contain considerable water or other contamination, the shaft seal (19) should be inspected and replaced if required.

Oil Testing

- Drain oil into a clean, dry container by placing pump on it's side, remove cap screws (6), lift conduit box assembly (4) from motor housing (3). In separate container drain seal chamber by removing pipe plug (18).
- Check oil for contamination using an oil tester with a range to 30 Kilovolts breakdown.
- If oil is found to be clean and uncontaminated (measuring above 15 KV. breakdown), refill the housing.
- If oil is found to be dirty or contaminated (or measures below 15 KV. breakdown), the pump must be carefully inspected for leaks at the shaft seal, conduit box, o-rings, pipe plug and pressure valve, before refilling with oil. To locate the leak, perform a pressure test.

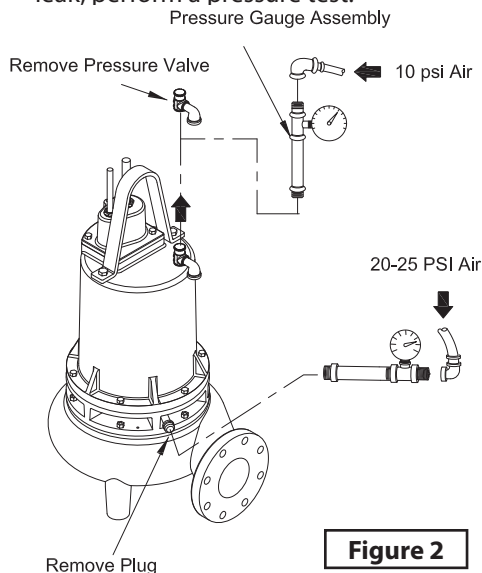


Figure 2

After leak is repaired, dispose of old oil properly, and refill with new oil.



Pressure builds up extremely fast, increase pressure by "TAPPING" air nozzle. Too much pressure will damage seal. DO NOT exceed 10 P.S.I. in motor housing and 20-25 P.S.I. in seal chamber



Pressure builds up extremely fast, increase pressure by "TAPPING" air nozzle. Too much pressure will damage seal. DO NOT exceed 10 P.S.I. in motor housing and 20-25 P.S.I. in seal chamber

Pressure Test

Motor Housing - Oil should be at normal level. Remove pressure valve (11) from motor housing (3). Apply pipe sealant to pressure gauge assembly and tighten into hole (See Figure 2). Pressurize motor housing to 10 P.S.I. Use soap solution around the sealed areas above the oil level and inspect joints for "air bubbles". If, after five minutes, the pressure is still holding constant, and no "bubbles" /oil seepage is observed, slowly bleed the pressure and remove the gauge assembly. Replace oil. Leak must be located and repaired if pressure does not hold.

Seal Chamber - Check that seal chamber is full of oil by removing pipe plug (18). Apply pipe sealant to pressure gauge assembly and tighten into hole in bearing bracket (15). Pressurize seal chamber to 20-25 PSI and check for leaks.

Oil Replacement - Set unit upright and refill with new cooling oil as per table. Fill to just above motor as an air space must remain in the top of the housing to compensate for oil expansion. Reassemble the o-ring (5) and conduit box (4) to motor housing (3). Apply thread locking compound to cap screws (6) and place into holes and torque to 15 ft/lbs.



DO NOT overfill oil. Overfilling of housing with oil can create excessive and dangerous hydraulic pressure which can destroy the pump and create a hazard. Overfilling oil voids warranty.



Oil Replacement: Seal Chamber - Refill chamber completely full with new cooling oil or reuse the uncontaminated oil.



**PUMP SUPPLY
INCORPORATED**

Cooling Oil Recommended Supplier/Grade	
BP	Enerpar SE100
Conoco	Pale Paraffin 22
Mobile	D.T.E. Oil Light
Shell Canada	Transformer-10
Texaco	Diala-Oil-AX

Disassembly

Impeller & Volute - Disconnect power. Remove hex nuts (16) and vertically lift motor housing and seal plate assembly from volute (35). Clean out volute (35) if necessary. Inspect gasket (34) and replace if cut or damaged. Clean and examine impeller (30), for pitting or wear and replace if required. To remove impeller (30), remove cap screw (33), lockwasher (10) and washer (32). With a wheel puller, pull impeller straight off shaft and remove square key. To remove wear ring (31), split it and remove, being careful not to damage volute.

Moisture Probes - Drain oil from seal chamber, if not already done. Remove cap screws (9) and lifting handle (10). Set unit upside down on blocks to avoid damaging cables. Remove socket head cap screws (25) and lift seal plate (24), with seal's (19) stationary, vertically from bearing bracket (15), **do not** damage seal. Check moisture sensor probes (39) for damage, replace by removing screws (40) and disconnecting wires (38). Then remove probes (39) from bearing bracket (15).

Diaphragm - with seal plate (24) removed, examine diaphragm (23) for ruptures or cracks. Replace diaphragm by removing cap screws (45) and plate (44). Clean vent holes in seal plate (24).

Shaft Seal - Remove outboard rotating member of seal (19), spring and inboard rotating member from shaft. Examine all seal parts.

Inspect seal for signs of uneven wear pattern on stationary members, chips and scratches on either seal face. **DO NOT interchange seal components, replace the entire shaft seal (19).** If replacing seal, remove stationary by prying out with flat screwdriver.

Motor and Bearings - Remove volute, impeller, seal plate and seal as previously stated and drain oil from motor housing (3). Position unit upright, using blocks to avoid resting unit on shaft. Remove cap screws (6) o-ring (5) and conduit box assembly (4) from motor housing (3). Note connections and then remove cable lead wires from motor lead wires and moisture & temperature sensor wires from control cable by removing connectors. Remove cap screws (12) and vertically lift the motor housing (3) from bearing bracket (15). Replace square ring (14) if damaged or cut. Remove the upper motor bolts and lift upper end bell from motor (1). Remove wave washer. Remove upper bearing (2) with a wheel puller if damaged or worn.

Vertically lift stator (1) from rotor/shaft. Inspect windings for shorts and resistance. Test the temperature sensors by checking for continuity between the black and white wires. If defective contact factory or motor service station. Pull motor rotor/shaft with bearing (13) from bearing bracket (15). Remove bearing (13) with a wheel puller if worn or damaged. If rotor or stator windings are defective, replace the complete motor.



IMPORTANT! - All parts must be clean before reassembly.

Reassembly

Bearings - Replace bearings, being careful not to damage the rotor or shaft. If equipped, fill notch should face the rotor core for both upper and lower bearings.

Apply adhesive compound to the shaft and press bearing (13) onto shaft, position squarely onto the shaft applying force to the inner race of bearing only, until bearing seats on shoulder of the shaft. In the same manner, assemble upper bearing (2) to shaft.

Motor - Slide rotor with bearing (13) into bearing bracket (15) until bearing seats on the bottom. Position motor housing and stator into pilot, install wave washers in upper end bell.

IMPORTANT! Special wave washers in upper motor housing are required to compensate for shaft expansion. These washers must be properly reinstalled to give the required constant down force on the motor shaft.

Position upper motor end bell aligning holes and thread cap screws into bearing bracket (15) and torque to 16 ft./lbs. Place all motor leads above the motor. Position square ring (14) on bearing bracket (15) and lower housing (3) over motor and into pilot, aligning handle so that it is parallel to motor end bell reliefs. Apply thread locking compound to threads on cap screws (12) and install with nuts (16) and torque to 24 ft./lbs.



Handle seal parts with extreme care. DO NOT damage lapped surfaces.

Seal/Diaphragm - (See Figure 3) Clean and oil seal cavities in bearing bracket (15) and seal Plate (24). Lightly oil (**Do not use grease**) outer surface of inboard and outboard stationary members of seal (19). Press inboard stationary member firmly into bearing bracket (15) and outboard stationary into seal plate (24), using a seal pusher tool. Nothing but the seal pusher tool is to come in contact with seal face.



**PUMP SUPPLY
INCORPORATED**

Service

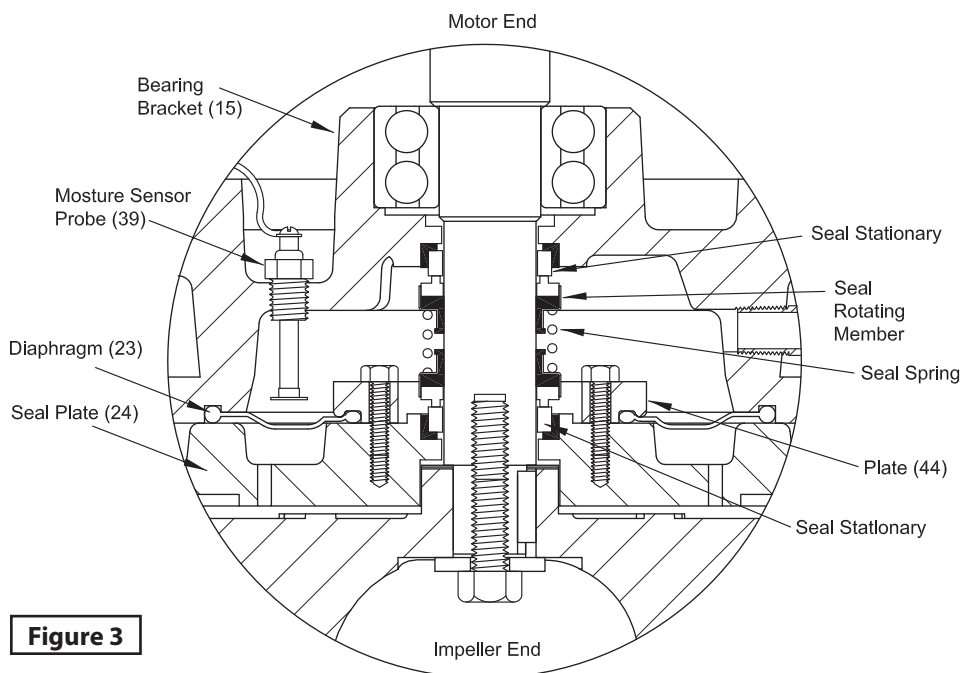


Figure 3



IMPORTANT! Hammering on the seal pusher tool will damage the seal face.

Be sure the stationary members are in straight and that the rubber ring is not out of its groove. Lightly oil (**Do not use grease**) shaft and inner surface of bellows on rotating member. With lapped surface facing bearing bracket (15), slide rotating member onto shaft using seal pusher tool, until lapped faces are together. It is extremely important to keep seal faces clean during assembly. Dirt particales lodged between faces will cause the seal to leak.

Be sure driving lugs in retainer are matched in rotating member of seal (19). Place spring over shaft and in place on rotating member, making sure it is seated in retainer and not cocked or resting on bellows tail. Lightly oil shaft and inner surface of outboard rotating member.

With tail section toward bearing bracket (15), slide rotating member onto shaft with seal pusher tool until retainer engages spring and spring is compressed slightly. Spring should be properly engaged in both retainers.

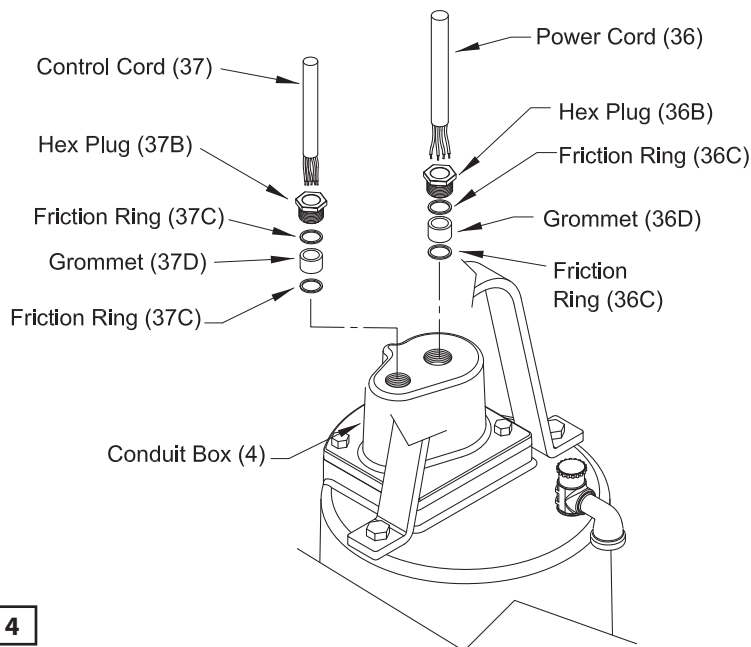


Figure 4

Reassemble the diaphragm (23) with “bulg” facing seal plate (24). Place plate (44) on diaphragm (23) and insert capscrews (45) into plate and tighten.

Place seal plate (24) over shaft onto bearing bracket (15), being careful not to damage outboard stationary member and align holes for cap screws (25). Thread cap screws (25) into bearing bracket (15) and tighten. Refill chamber with oil.

Conduit Box Assembly - Check power (36) and control (37) cables for cracks or damage and replace complete conduit box (4) if required. (See Figure 4) Bring motor wires through opening in top of motor housing (3), check sleeving and replace if damaged. Position square ring (5) in conduit box (4) and reconnect leads using connectors and insulators. See Figures 5, for wiring schematics.

Refill with cooling oil. Position conduit box (4) with square ring (5) on motor housing. Apply thread locking compound to cap screws (6) threads and torque to 16 ft./lbs.



PUMP SUPPLY
INCORPORATED

Service

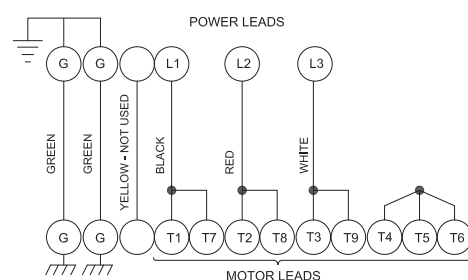
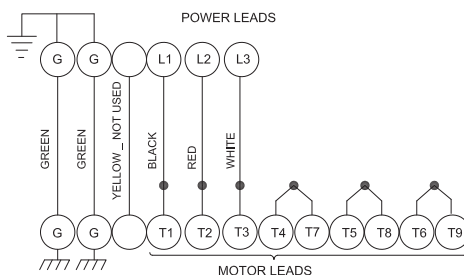
Remove gland nuts (36B) & (37B), friction rings (36C) & (37C), and grommets (36D) & (37D) from conduit box (4), inspect and replace if damaged (See Figure 4). Reassemble by inserting one friction ring, grommet, one more friction ring and gland nut into conduit box. Torque gland nuts to 15 ft./lbs. to prevent leakage.

Wear Ring - Apply retaining compound to the bore of volute (35) and press wear ring (31) into bore until seated.

Impeller & Volute - Install impeller (30) by applying a thin film of oil to motor shaft and slide impeller straight onto shaft, keeping keyways lined up. Drive key into keyway. Locate washer (32) and lockwasher (10), apply thread lock primer (such as Loctite® Primer T), let set per manufactures' directions.

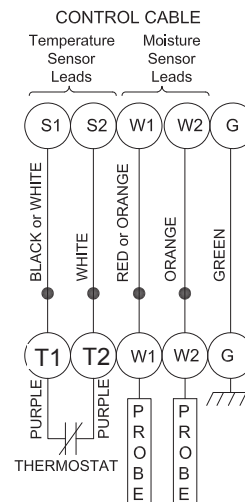
Apply thread locking compound to threads on cap screw (33), and thread into shaft and torque to 35 ft./lbs.

Place gasket (34) on volute and install impeller and motor assembly over studs and onto volute (35). Apply thread locking compound to threads of studs (29) and thread nuts (16) onto studs and torque to 24 ft./lbs. Check for binding by rotating impeller.



THREE PHASE 460 VOLT AC	
Power Cable	Motor Lead Number
Green (Ground)	Green - 2
Yellow	Not Used
Black	1
Red	2
White	3
	T4 & T7 Together
	T5 & T8 Together
	T6 & T9 Together

THREE PHASE 230 VOLT AC	
Power Cable	Motor Lead Number
Green (Ground)	Green - 2
Yellow	Not Used
Black	1 & 7
Red	2 & 8
White	3 & 9
	T4, T5 & T6 Together



MOISTURE & TEMPERATURE SENSORS	
Control Cable	Lead Number
Green (Ground)	Green
Black	P1 (Temp Sensor)
White	P2 (Temp Sensor)
Red	W1 (Moisture Sensor)
Orange	W2 (Moisture Sensor)

Figures 5

Illinois Location:
(847) 841-7867
860 Church Rd Elgin, IL 61

Minnesota Location:
(651) 758-7867
330 Mill Bay South Suite
Afton, MN 55001

PumpSupplyInc.com



Repair Parts

For Repair Part Please supply: Model Number and MFG Date as shown on Name Plate, and Part Description and Part Number as shown on Parts List.

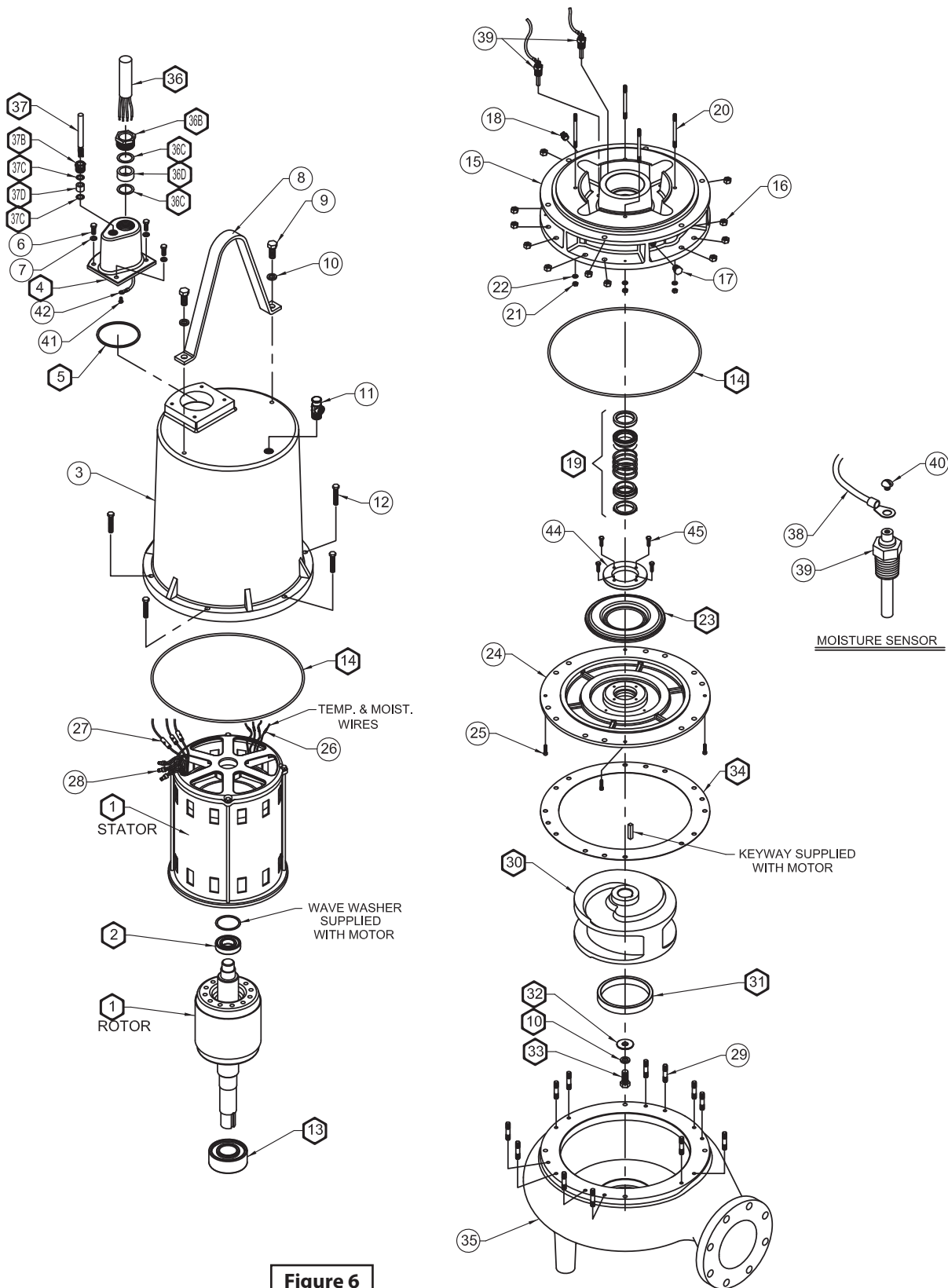


Figure 6



Parts List

For Repair Part Please supply: Model Number and MFG Date as shown on Name Plate, and Part Description and Part Number as shown on Parts List.

Ref.	Qty		Name	Used On	Part Number
1	1	☆	Motor:	18HP, 3Ph, 1750RPM, 230/460	PF40040031
				24HP, 3Ph, 1750RPM, 230/460	PF40040032
				30HP, 3Ph, 1750RPM, 230/460	PF40040033
				36HP, 3Ph, 1750RPM, 230/460	PF40040034
				48HP, 3Ph, 1750RPM, 230/460	PF40040035
				60HP, 3Ph, 1750RPM, 230/460	PF40040036
				9HP, 3Ph, 1150RPM, 230/460	PF40040041
				12HP, 3Ph, 1150RPM, 230/460	PF40040041
				18HP, 3Ph, 1150RPM, 230/460	PF40040042
				24HP, 3Ph, 1150RPM, 230/460	PF40040043
			30HP, 3Ph, 1150RPM, 230/460	PF40040044	
2	1	●	Bearing (upper)		PF31020018
3	1		Motor Housing		PF03100006
4	1	*	Conduit Box (see Conduite Box & Cable Assy)		PF03100007
5	1	*	O-ring		PF92010085
6	4		Cap Screw 3/8-16 x 1" Lg., Stainless		◆
7	4		Lockwasher 3/8" Stainless		◆
8	1		Lifting Handle		PF30400845
9	2		Cap Screw 5/8-11 x 1-1/2" Lg., Stainless		◆
10	3	●	Lockwasher 5/8"		◆
11	1	●	Pressure Relief Valve		PF31200021
12	6		Cap Screw 7/16-14 x 2.25" Lg., Stainless		◆
13	1	●	Bearing (Lower)		PF31020019
14	1	●◇	O-Ring Gasket		PF92010051
15	1		Bearing Housing		PF03040013
16	18		Hex Nut 7/16-14, Stainless		◆
17	1		Hex Hd Plug 3/8" Stainless		PF93010131
18	1		Plug 3/8"		PF93010149
19	1	●◇	Mechanical Seal C/C/B inner & S/S/B outer		PF31030146
20	4		Stud 5/16-18 x 4.50" Lg.		◆
21	4		Hex Nut 5/16-18, Stainless		◆
22	4		Lockwasher 5/16" Stainless		◆
23	1	●◇	Diaphragm		PF31040002
24	1		Seal Plate		PF03180018
25	4		Socket Hd Screw, 1/4-20UNC x 1" Lg., Stainless		◆
26	4		Connector		PF94010021
27	3		Connector		PF94010022
28	3		Wire Connector		PF94010024
29	12		Stud 7/16-14 x 2.25" Lg.		◆

◆ = Acquire standard hardware locally.

◇ = Seal/Gasket Kit

● = Overhaul Kit

☆ = Supplied as individual items

* = Included with Conduit Box & Cable Assy.



PUMP SUPPLY
INCORPORATED

Parts List

For Repair Part Please supply: Model Number and MFG Date as shown on Name Plate, and Part Description and Part Number as shown on Parts List.

Ref.	Qty		Name	Used On	Part Number
30	1	☆	Impeller	9HP, 1150RPM, 11.50" Dia	PF03140053D
				12HP, 1150RPM, 12.00" Dia	PF03140053E
				18HP, 1150RPM, 13.00" Dia	PF03140053F
				24HP, 1150RPM, 14.00" Dia	PF03140053G
				30HP, 1150RPM, 14.62" Dia	PF03140053H
				18HP, 1750RPM, 9.50" Dia	PF03140053
				24HP, 1750RPM, 10.50" Dia	PF03140053B
				30HP, 1750RPM, 11.00" Dia	PF03140053C
				36HP, 1750RPM, 11.50" Dia	PF03140053D
				48HP, 1750RPM, 10.00" Dia	PF03140054
			60HP, 1750RPM, 11.00" Dia	PF03140054B	
31	1	●	Wear Ring		PF30400314
32	1	●	Impeller washer		PF30400414
33	1	●	Hex Hd Screw 5/8-11x 1-1/2" Lg., Stainless		◆
34	1	●◇	Volute Gasket		PF92010192
35	1		Volute		PF03090053
		☆*	Conduit Box Assy w/Moist & Temp to include: 36, 36b, 36c, 36d, 37, 37b, 37c, 37d, 4, 5		PF072698
36	1	*	Power Cable	25 Ft. 2/3-3G G	PF31030006
36B	1	*	Hex Hd Plug	2/3-3G G	PF30400904
36C	2	*	Washer	2/3-3G G	PF30400401
36D	1	*	Grommet	2/3-3G G	PF92010002
37	1	*	Moist & Temp Cord Set	25 Ft. 18/5 SOW	PF31030005
37B	1	*	Hex Hd Plug	18/5 SOW	PF30400901
37C	2	*	Washer	18/5 SOW	PF91010057
37D	1	*	Grommet	18/5 SOW	PF92010005
38	2	■	Wire Assy. (Moisture Sensor)		PF31030011
39	2	■	Moisture Sensor		PF31160001
40	2	■	Machine Screw 6-32 x 1/4" Stainless		◆
41	1		Ground Screw 1/4" x 1/2"		◆
42	1		Round Terminal, 5/16"		PF94010044
43	15 Gal		Cooling Oil (Motor Housing)	9-24HP	See Chart on Page 15
	11 Gal		Cooling Oil (Motor Housing)	30-75HP	
	48 Oz.		Cooling Oil (Seal Chamber)		
44	1		Diaphragm plate		PF03160006
45	4		Capscrews 1/4-20 x 1" lg Stainless		◆
REPAIR KITS					
●	Overhaul Kit - To include items: 2, 10, 11, 13, 14, 19, 23, 31, 32, 33, 34				PF6NC-OHK
◇	Seal Kit - To include items: 14, 19, 23, 34				PF6-8NC-SK
■	SEAL PROBE KIT - To include items: 38, 39, 40				PF69775-2

◆ = Acquire standard hardware locally.

◇ = Seal/Gasket Kit

● = Overhaul Kit

☆ = Supplied as individual items

* = Included with Conduit Box & Cable Assy.

■ = Seal Probe Kit

Parts List

For Repair Part Please supply: Model Number and MFG Date as shown on Name Plate, and Part Description and Part Number as shown on Parts List.

Ref.	Qty		Name	Used On	Part Number
1	1	☆	Motor	30HP, 3Ph, 1750RPM, 230/460	PF40040033
				36HP, 3Ph, 1750RPM, 230/460	PF40040034
				48HP, 3Ph, 1750RPM, 230/460	PF40040035
				60HP, 3Ph, 1750RPM, 230/460	PF40040036
2	1	●	Bearing (upper)		PF31020018
3	1		Motor Housing		PF03100006
4	1	*	Conduit Box		PF03100007
5	1	*	O-ring		PF92010085
6	4		Cap Screw 3/8-16 x 1" Lg., Stainless		◆
7	4		Lockwasher 3/8" Stainless		◆
8	1		Lifting Handle		PF30400845
9	2		Cap Screw 5/8-11 x 1.50" Lg., Stainless		◆
10	3	●	Lockwasher 5/8"		◆
11	1	●	Pressure Relief Valve		PF31200021
12	6		Cap Screw 7/16-14 x 2.25" Lg., Stainless		◆
13	1	●	Bearing (Lower)		PF31020019
14	1	●◇	O-Ring Gasket		PF92010051
15	1		Bearing Housing		PF03040013
16	18		Hex Nut 7/16-14, Stainless		◆
17	1		Hex Hd Plug 3/8" Stainless		PF93010131
18	1		Plug 3/8"		PF93010149
19	1	●◇	Mechanical Seal C/C/B inner & S/S/B outer		PF31030146
20	4		Stud 5/16-18 x 4.50" Lg.		◆
21	4		Hex Nut 5/16-18, Stainless		◆
22	4		Lockwasher 5/16" Stainless		◆
23	1	●◇	Diaphragm		PF31040002
24	1		Seal Plate		PF03180018
25	4		Socket Hd Screw, 1/4-20UNC x 1" Lg., Stainless		◆
26	4		Connector		PF94010021
27	3		Connector		PF94010022
28	3		Wire Connector		PF94010024
29	12		Stud 7/16-14 x 2.25" Lg.		◆
30	1	☆	Impeller	30HP, 1750RPM, 9.25" Dia	PF03140111
				36HP, 1750RPM, 9.50" Dia	PF03140111B
				48HP, 1750RPM, 10.50" Dia	PF03140111C
				60HP, 1750RPM, 11.25" Dia	PF03140111D
31	1	●	Wear Ring		PF30400315
32	1	●	Impeller Washer		PF30400414
33	1	●	Hex Hd Screw 5/8-11 x 1.50" Lg. Stainless		◆

◆ = Acquire standard hardware locally.

◇ = Seal/Gasket Kit

● = Overhaul Kit

☆ = Supplied as individual items

* = Included with Conduit Box & Cable Assy.

■ = Seal Probe Kit



PUMP SUPPLY
INCORPORATED

Parts List

For Repair Part Please supply: Model Number and MFG Date as shown on Name Plate, and Part Description and Part Number as shown on Parts List.

Ref.	Qty		Name	Used On	Part Number
34	1	◆◇	Volute Gasket		PF92010192
35	1		Volute		PF03090063
		☆	Conduit Box & Cable Assy w/Moist & Temp to include: 36, 36b, 36c, 36d, 37, 37b, 37c, 37d, 4, 5		PF072698
36	1	*	Power Cable	25 Ft. 2/3-3G G	PF31030006
36B	1	*	Hex Hd Plug	2/3-3G G	PF30400904
36C	2	*	Washer	2/3-3G G	PF30400401
36D	1	*	Grommet	2/3-3G G	PF92010002
37	1	*	Moist & Temp Cord Set	25 Ft. 18/5 SOW	PF31030005
37B	1	*	Hex Hd Plug	18/5 SOW	PF30400901
37C	2	*	Washer	18/5 SOW	PF91010057
37D	1	*	Grommet	18/5 SOW	PF92010005
38	2	■	Wire Assy. (Moisture Sensor)		PF31030011
39	2	■	Moisture Sensor		PF31160001
40	2	■	Machine Screw 6-32 x 1/4" Stainless		◆
41	1		Ground Screw 1/4" x 1/2"		◆
42	1		Round Terminal, 5/16"		PF94010044
43	11 Gal		Cooling Oil (Motor Housing)	30-60HP	See Chart on Page 15
	48 Oz.		Cooling Oil (Seal Chamber)		
44	1		Diaphragm plate		PF03160006
45	4		Capscrews 1/4-20 x 1" lg Stainless		◆
REPAIR KITS					
◆	Overhaul Kit - To include items: 2, 10, 11, 13, 14, 19, 23, 31, 32, 33, 34				PF6NC-OHK
◇	Seal Kit - To include items: 14, 19, 23, 34				PF6-8NC-SK
■	SEAL PROBE KIT - To include items: 38, 39, 40				PF69775-2


Recommended Moisture & Temperature Sensor Relays for control panel (or equal):
 P/N: PF0861 - Relay rated for 25 volt amperes, 115 volt input, 500 volt output (one per pump).
 P/N: PF0876 - Relay 120V (one per pump).

- ◆ = Acquire standard hardware locally.
- ◇ = Seal/Gasket Kit
- ◆ = Overhaul Kit
- ☆ = Supplied as individual items
- * = Included with Conduit Box & Cable Assy.
- = Seal Probe Kit

Illinois Location:
 (847) 841-7867
 860 Church Rd Elgin, IL 60120

Minnesota Location:
 (651) 758-7867
 330 Mill Bay South Suite
 Afton, MN 55001

PumpSupplyInc.com



PS **PUMP SUPPLY**
INCORPORATED

Trouble Shooting Chart



Risk of electric shock. Always disconnect the pump from the power source before handling inspections or repairs.


Symptom	Possible Cause(s)	Corrective Action
Pump will not run	1. Poor electrical connection, blown fuse, tripped breaker or other interruption of power; improper power supply 2. Motor or switch inoperative (go to manual operation) 2a. Float movement restricted 2b. Switch will not activate pump or is defective 2c. Defective motor 3. Insufficient liquid level	1. Check all electrical connections for security. Have electrician measure current in motor leads, if current is within $\pm 20\%$ of locked rotor Amps, impeller is probably locked. If current is 0, overload may be tripped. Remove power, allow pump to cool, then re-check current. 2a. Reposition pump or clean basin as required to provide adequate clearance for float 2b. Disconnect level control. Set ohmmeter for a low range, such as 100 ohms full scale and connect to level control leads. Actuate level control manually and check to see that ohmmeter shows zero ohms for closed switch and full scale for open switch. (Float Switch) 2c. Check winding insulation (Megger Test) and winding resistance. If check is outside of range, dry and re-check. If still defective, replace per service instructions. 3. Make sure liquid level is above the pump 4. Re-check all sizing calculations to determine proper pump size. 5. Check discharge line for restrictions, including ice if line passes through or into cold areas. 6. Remove and examine check valve for proper installation and freedom of operation 7. Open valve 8. Check impeller for freedom of operation, security and condition. Clean impeller cavity and inlet of any obstruction 9. Loosen union slightly to allow trapped air to escape. Verify that turn-off level of switch is set so that the suction is always flooded. Clean vent hole 10. Check rotation. If power supply is three phase, reverse any two of three power supply leads to ensure proper impeller rotation 11. Repair fixtures as required to eliminate leakage 12. Check pump temperature limits and fluid temperature 13. Replace portion of discharge pipe with flexible connector or tighten existing piping. 14. Turn to automatic position 15. Check for leaks around basin inlet and outlets
Pump will not turn off	2a. Float movement restricted 2b. Switch will not activate pump or is defective 4. Excessive inflow or pump not properly sized for application 9. Pump may be air locked causing pump not to flow 14. H-O-A switch on panel is in "HAND" position	
Pump hums but doesn't run	1. Incorrect low voltage 8. Impeller jammed or loose on shaft, or inlet plugged	
Pump delivers insufficient capacity	1. Incorrect low voltage 4. Excessive inflow or pump not properly sized for application 5. Discharge restricted 6. Check valve partially closed or installed backwards 7. Shut-off valve closed 8. Impeller jammed or loose on shaft, or inlet plugged 9. Pump may be air locked causing pump not to flow 10. Piping fixtures leaking or discharge before the nozzle	
Pump cycles too frequently or runs periodically when fixtures are not in use	6. Check valve partially closed or installed backwards 11. Fixtures are leaking 15. Ground water entering basin	
Pump shuts off and turns on independent of switch, (trips thermal overload protector). CAUTION! Pump may start unexpectedly. Disconnect power supply.	1. Incorrect low voltage 4. Excessive inflow or pump not properly sized for application 8. Impeller jammed or loose on shaft, or inlet plugged 12. Excessive water temperature (internal protection only)	
Pump operates noisily or vibrates excessively	2c. Worn bearings, motor shaft bent 5. Debris in impeller cavity or broken impeller 10. Pump running backwards 13. Piping attachments to building structure too loose or rigid	


NOTE: Champion Pump assumes no responsibility for damage or injury due to disassembly in the field. Disassembly of the pumps or supplied accessories other than at Champion Pump or its authorized service centers, automatically voids warranty.

Illinois Location:
(847) 841-7867
860 Church Rd Elgin, IL 60120

Minnesota Location:
(651) 758-7867
330 Mill Bay South Suite
Afton, MN 55001

PumpSupplyInc.com





PUMP SUPPLY
INCORPORATED

LIMITED WARRANTY

Manufacturer warrants, to the immediate purchaser and subsequent initial owner during the warranty period, every new pump to be free from defects in material and workmanship under normal use and service, when properly used and maintained, for a period of eighteen (18) months from date of manufacture or twelve (12) months from date of installation (which ever comes first). Failure due to wear due to excessive abrasives is not covered. The initial owner is the purchaser who first uses the pump after its initial installation, or for non-permanent installation, the first owner who uses the pump. The date of installation shall be determined by a dated sales receipt noting the model and serial number of the pump. The dated sales receipt must accompany the returned pump. Product will be repaired, replaced or remanufactured at Manufacturer's option. No allowance will be made for shipping charges, damages, labor or other charges that may occur due to product failure, repair or replacement. This warranty does not apply to and there shall be no warranty for any material or product that has been disassembled without prior approval of Manufacturer, subjected to misuse, misapplication, neglect, alteration, accident or act of God; that has not been installed, operated or maintained in accordance with Manufacturer's installation instructions; that has been exposed to outside substances including but not limited to the following: sand, gravel, cement, mud, tar, hydrocarbons, hydrocarbon derivatives (oil, gasoline, solvents, etc.), or other abrasive or corrosive substances, wash towels or feminine sanitary products, etc. in all pumping applications. The warranty set out in the paragraph above is in lieu of all other warranties expressed or implied; and we do not authorize any representative or other person to assume for us any other liability in connection with our products. Contact Manufacturer to obtain any needed repair or replacement of part(s) or additional information pertaining to our warranty.

MANUFACTURER EXPRESSLY DISCLAIMS LIABILITY FOR SPECIAL, CONSEQUENTIAL OR INCIDENTAL DAMAGES OR BREACH OF EXPRESSED OR IMPLIED WARRANTY; AND ANY IMPLIED WARRANTY OF FITNESS FOR A PARTICULAR PURPOSE AND OF MERCHANTABILITY SHALL BE LIMITED TO THE DURATION OF THE EXPRESSED WARRANTY.

Some states do not allow limitations on the duration of an implied warranty, so the above limitation may not apply to you. Some states do not allow the exclusion or limitation of incidental or consequential damages, so the above limitation or exclusion may not apply to you. This warranty gives you specific legal rights and you may also have other rights which vary from state to state.

Illinois Location:

(847) 841-7867
860 Church Rd Elgin, IL 60120

Minnesota Location:

(651) 758-7867
330 Mill Bay South Suite 100
Afton, MN 55001

PumpSupplyInc.com



Start-Up Report / Warranty Registration

Please fill out the following questions as completely and accurate as possible. Please mail to Champion Pump Company, Inc. – P. O. Box 528 – Ashland, OH 44805.

REPORTS THAT ARE NOT RETURNED CAN DELAY OR VOID WARRANTY.

Pump Owner's

Name: _____

Address: _____

Location of installation: _____

Phone: _____

Purchased from: _____

Pump Model _____ Serial # _____ Date Code: _____

NOTE: PUMPS REQUIRING CAPACITORS IN THE PANELS MUST HAVE PROPER CAPACITOR KIT OR WARRANTY IS VOID.

Date Installed: _____

Does impeller turn freely by hand? YES _____ NO _____

Condition of cord jacket? Good _____ Fair _____ Poor _____

Was equipment stored? _____ How long? _____

Liquid being pumped _____

Debris in bottom of station? _____ Was debris removed in your presence? _____

Discharge pipe size? _____ Length of pipe? _____ Static lift? _____

Does station appear to operate at the proper rate? _____ Pump down time? _____

Voltage At Wiring Terminal L1-L2 _____ L2-L3 _____ L1-L3 _____

Run Amps L1 _____ L2 _____ L3 _____

3 Phase Models – Check Proper Rotation? Yes / NO

Difficulties during start up: _____

I certify this report to be accurate (start up person) _____

Employed by _____ Date: _____

