

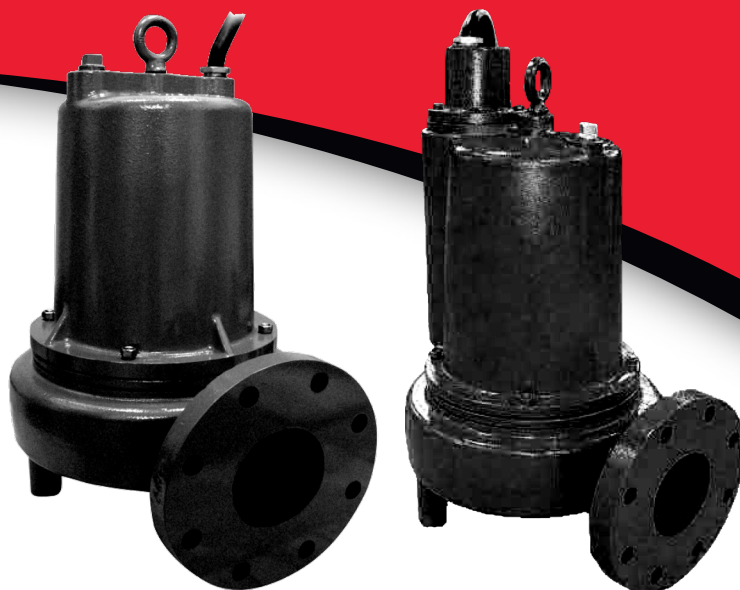
Champion Pump



PUMP SUPPLY INCORPORATED

SUBMERSIBLE SOLIDS HANDLING PUMP

Series: CP4NC-SS
2.8, 3.7 & 5 HP / 1750 RPM
Discharge: 4"
Spherical solids handling: 3"



DISCHARGE

4", 125 lb, flange horizontal.

LIQUID TEMPERATURE

104 °F (40 °C) continuous.

VOLUTE

Cast iron ASTM A-48 class 30.

MOTOR HOUSING

Cast iron ASTM A-48 class 30.

SEAL PLATE

Cast iron ASTM A-48 class 30.

IMPELLER

Design: 2 vane, open, with vanes on back side.

Material: cast iron ASTM A-48 class 30.

SHAFT

416 series stainless steel.

HARDWARE

300 stainless steel.

SQUARE RINGS

Buna-N.

PAINT

Air dry enamel, water based.

SEAL

Design: inboard, single mechanical, oil filled chamber.

Material: silicon carbide, Buna-N elastomer and stainless steel hardware.

CORD ENTRY

40 ft of neoprene cord SO 10/4, sealed against moisture.

BEARINGS

Upper: ball, single row, oil lubricated, for radial load.

Lower: ball, single row, oil lubricated, for radial and thrust load.

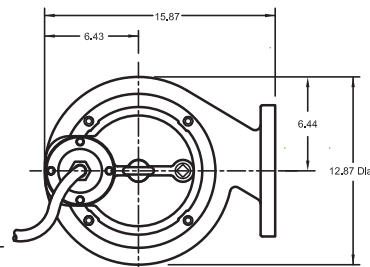
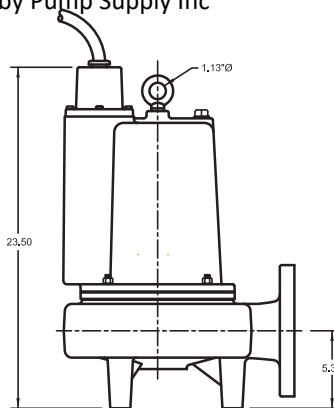
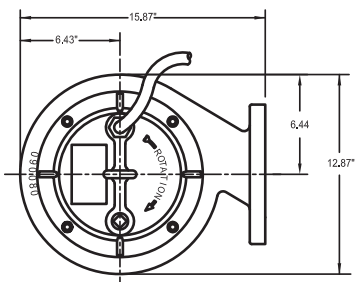
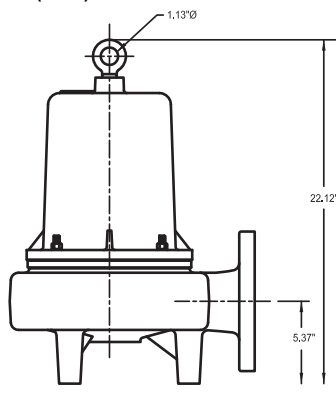
MOTOR

Single phase: NEMA L, permanent split capacitor, 200/230 volts, 60 Hz, 1750 RPM, oil filled, overload protection in motor.

Three phase: NEMA B, 208/230 & 460 volts, 60 Hz, 1750 RPM, oil filled. Requires overload protection to be included in control panel.

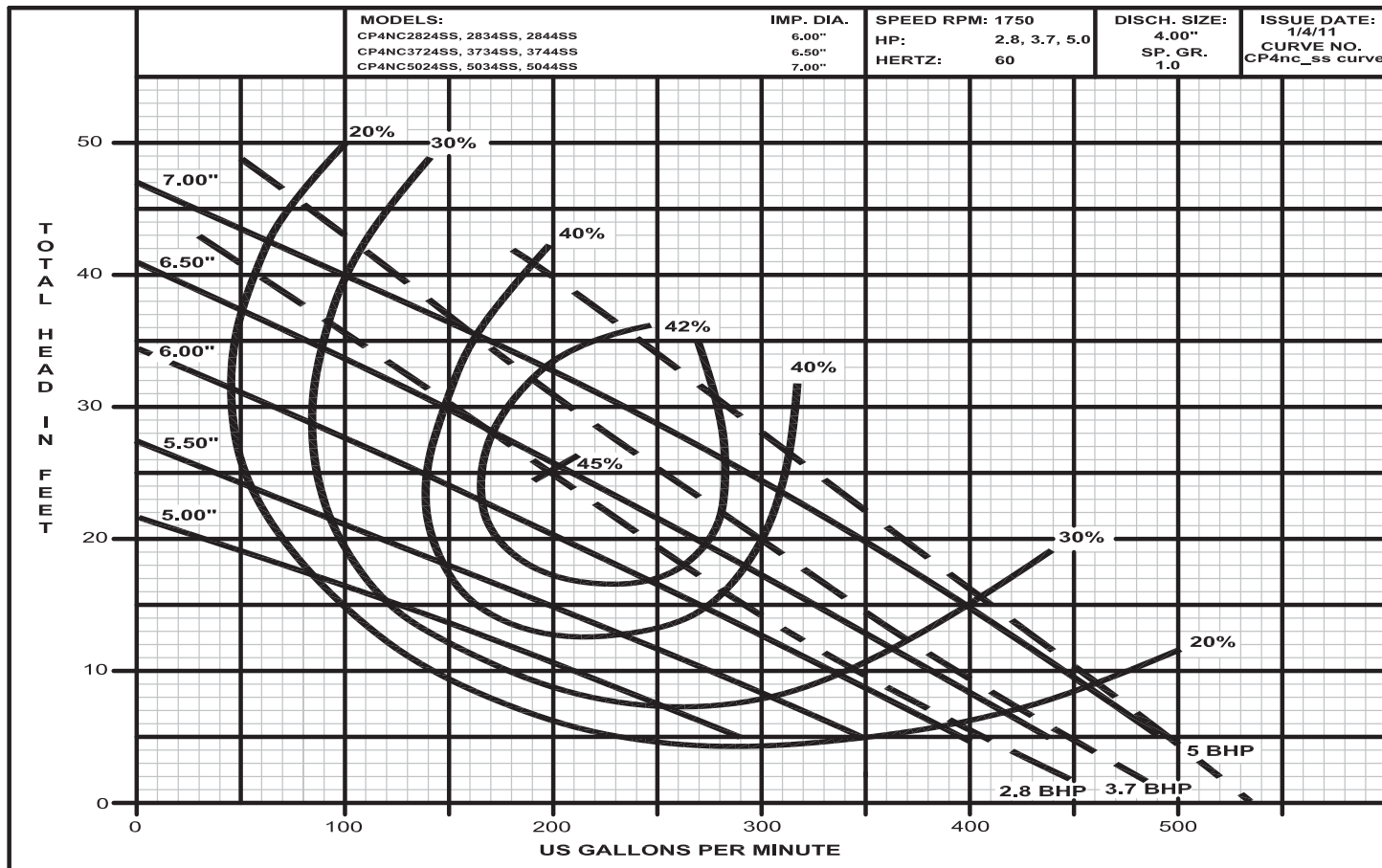
OPTIONAL EQUIPMENT

Additional cord, slide rail coupling



CP4NC2834SS, CP4NC2844SS

CP4NC2824SS, CP4NC3724SS, CP4NC3734SS, CP4NC3744SS, CP4NC5024SS, CP4NC5034SS, CP4NC5044SS



| MODEL | HP | VOLTS | PHASE | RPM | MAX AMPS | LOCKED ROTOR AMPS | NEMA CODE | CORD SIZE | CORD TYPE | CORD LENGTH | WEIGHT |
|-------------|-----|---------|-------|------|----------|-------------------|-----------|-----------|-----------|-------------|--------|
| CP4NC2824SS | 2.8 | 200/230 | 1 | 1750 | 12.6 | 23 | A | 10/3 | SOW | 40' | 201 |
| CP4NC2834SS | 2.8 | 208/230 | 3 | 1750 | 8 | 35 | A | 10/4 | SOW | 40' | 201 |
| CP4NC2844SS | 2.8 | 460 | 3 | 1750 | 4 | 17.5 | F | 10/4 | SOW | 40' | 201 |
| CP4NC3724SS | 3.7 | 200/230 | 1 | 1750 | 18.5 | 29 | F | 10/3 | SOW | 40' | 201 |
| CP4NC3734SS | 3.7 | 208/230 | 3 | 1750 | 14 | 50.8 | D | 10/4 | SOW | 40' | 201 |
| CP4NC3744SS | 3.7 | 460 | 3 | 1750 | 7 | 25.4 | A | 10/4 | SOW | 40' | 201 |
| CP4NC5024SS | 5 | 200/230 | 1 | 1750 | 28 | 59 | D | 10/3 | SOW | 40' | 201 |
| CP4NC5034SS | 5 | 208/230 | 3 | 1750 | 19 | 56 | D | 10/4 | SOW | 40' | 201 |
| CP4NC5044SS | 5 | 460 | 3 | 1750 | 9 | 28 | B | 10/4 | SOW | 40' | 201 |

IMPORTANT!

1. Never use this pump to handle explosive liquids. 2. This pump is not approved to be used in swimming pools, recreational installations or any application where human contact may be common. 3. Pump may be operated "dry" for extended periods without damage to motor &/or seals. 4. Testing is performed with water specific gravity of 1.0 @ 68 °F (20 °C); other fluids may vary performance.