

Stainless Steel Centrifugal Pump



PUMP SUPPLY
INCORPORATED

Model CDX / 2CDX



Pump Dimensions

Illinois Location:

(847) 841-7867

860 Church Rd Elgin, IL 60120

Minnesota Location:

(651) 758-7867

330 Mill Bay South Suite 100
Afton, MN 55001

PumpSupplyInc.com



PUMP SUPPLY
INCORPORATED



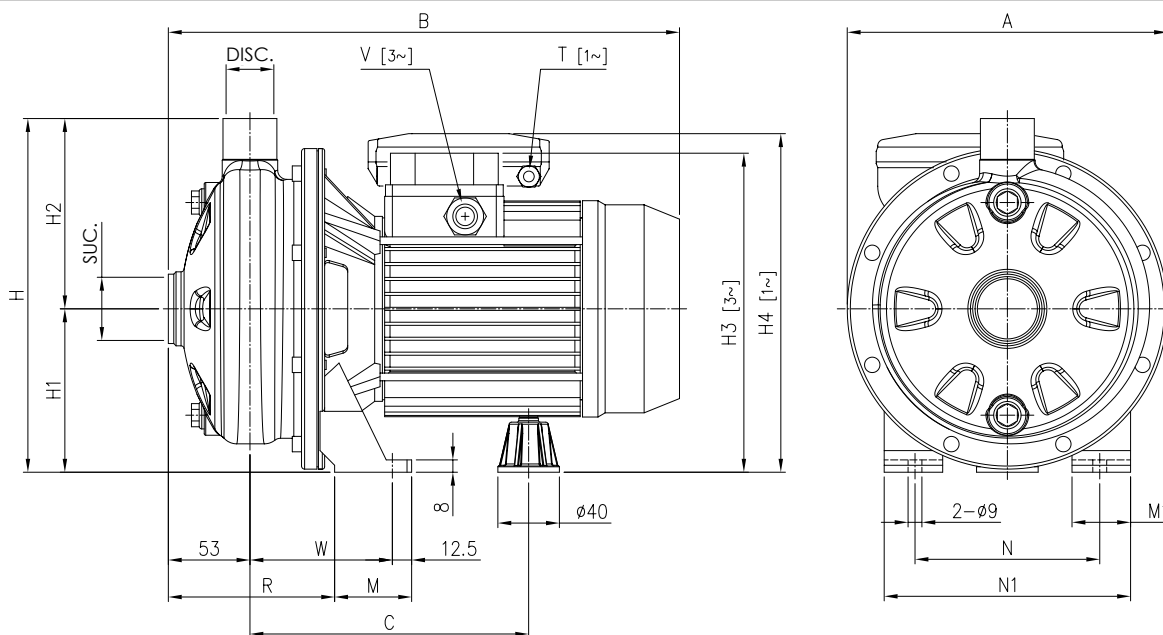
EBARA

EBARA Pumps Americas Corporation

EBARA Stainless Steel Centrifugal Pumps

Model CDX/CDXM

Pump Dimensions



Dimensions: inch

Phase	Model	Suc. (in.)	Disc. (in.)	HP	A	B	C	H	H1	H2	H3 [3~]	M	M1	N	N1	R	V [3~]
Three	CDX 70/076	1 1/4" NPT	1" NPT	0.75	8 3/16	12 5/8	7 1/8	9 1/16	4 3/16	4 7/8	8 1/8	1 15/16	1 1/2	4 3/4	6 5/16	4 1/4	M16x1.5
	CDX 70/106	1 1/4" NPT	1" NPT	1	8 3/16	12 5/8	7 1/8	9 1/16	4 3/16	4 7/8	8 1/8	1 15/16	1 1/2	4 3/4	6 5/16	4 1/4	M16x1.5
	CDX 70/156	1 1/4" NPT	1" NPT	1.5	8 3/16	13 1/16	7 1/8	9 1/16	4 3/16	4 7/8	8 1/8	1 15/16	1 1/2	4 3/4	6 5/16	4 1/4	M16x1.5
	CDX 120/106	1 1/4" NPT	1" NPT	1	8 3/16	12 5/8	7 1/8	9 1/16	4 3/16	4 7/8	8 1/8	1 15/16	1 1/2	4 3/4	6 5/16	4 1/4	M16x1.5
	CDX 120/156	1 1/4" NPT	1" NPT	1.5	8 3/16	13 1/16	7 1/8	9 1/16	4 3/16	4 7/8	8 1/8	1 15/16	1 1/2	4 3/4	6 5/16	4 1/4	M16x1.5
	CDX 120/206	1 1/4" NPT	1" NPT	2	8 3/16	14 1/8	7 13/16	9 1/16	4 3/16	4 7/8	8 7/8	2 3/16	1 9/16	5 1/2	7 1/16	4 1/8	M20x1.5
	CDX 200/156	1 1/2" NPT	1" NPT	1.5	8 3/16	12 5/8	7 1/8	9 1/16	4 3/16	4 7/8	8 1/8	1 15/16	1 1/2	4 3/4	6 5/16	4 1/4	M16x1.5
	CDX 200/206	1 1/2" NPT	1" NPT	2	8 3/16	14 1/8	7 13/16	9 1/16	4 3/16	4 7/8	8 7/8	2 3/16	1 9/16	5 1/2	7 1/16	4 1/8	M20x1.5
CDX 200/306	1 1/2" NPT	1" NPT	3	9 1/8	14 1/8	7 13/16	9 13/16	4 5/8	5 3/16	9 5/16	2 3/16	1 9/16	5 1/2	7 1/16	4 1/8	M20x1.5	

Dimensions: mm

Phase	Model	Suc. (in.)	Disc. (in.)	HP	A	B	C	H	H1	H2	H3 [3~]	M	M1	N	N1	R	V [3~]
Three	CDX 70/076	1 1/4" NPT	1" NPT	0.75	208	320	181	229.5	106	123.5	207	50	38	120	160	108	M16x1.5
	CDX 70/106	1 1/4" NPT	1" NPT	1	208	320	181	229.5	106	123.5	207	50	38	120	160	108	M16x1.5
	CDX 70/156	1 1/4" NPT	1" NPT	1.5	208	332	181	229.5	106	123.5	207	50	38	120	160	108	M16x1.5
	CDX 120/106	1 1/4" NPT	1" NPT	1	208	320	181	229.5	106	123.5	207	50	38	120	160	108	M16x1.5
	CDX 120/156	1 1/4" NPT	1" NPT	1.5	208	332	181	229.5	106	123.5	207	50	38	120	160	108	M16x1.5
	CDX 120/206	1 1/4" NPT	1" NPT	2	208	359	198.5	229.5	106	123.5	225	55	40	140	180	105.5	M20x1.5
	CDX 200/156	1 1/2" NPT	1" NPT	1.5	208	320	181	229.5	106	123.5	207	50	38	120	160	108	M16x1.5
	CDX 200/206	1 1/2" NPT	1" NPT	2	208	359	198.5	229.5	106	123.5	225	55	40	140	180	105.5	M20x1.5
CDX 200/306	1 1/2" NPT	1" NPT	3	232	359	198.5	250	118	132	237	55	40	140	180	105.5	M20x1.5	

Dimensions: inch

Phase	Model	Suc. (in.)	Disc. (in.)	HP	A	B	C	H	H1	H2	H4 [1~]	M	M1	N	N1	R	T [1~]
Single	CDXM 70/076	1 1/4" NPT	1" NPT	0.75	8 3/16	12 5/8	7 1/8	9 1/16	4 3/16	4 7/8	8 1/2	1 15/16	1 1/2	4 3/4	6 5/16	4 1/4	PG 11
	CDXM 70/106	1 1/4" NPT	1" NPT	1	8 3/16	12 5/8	7 1/8	9 1/16	4 3/16	4 7/8	8 1/2	1 15/16	1 1/2	4 3/4	6 5/16	4 1/4	PG 11
	CDXM 70/156	1 1/4" NPT	1" NPT	1.5	8 3/16	12 5/8	7 1/8	9 1/16	4 3/16	4 7/8	8 1/2	1 15/16	1 1/2	4 3/4	6 5/16	4 1/4	PG 11
	CDXM 120/106	1 1/4" NPT	1" NPT	1	8 3/16	12 5/8	7 1/8	9 1/16	4 3/16	4 7/8	8 1/2	1 15/16	1 1/2	4 3/4	6 5/16	4 1/4	PG 11
	CDXM 120/156	1 1/4" NPT	1" NPT	1.5	8 3/16	12 5/8	7 1/8	9 1/16	4 3/16	4 7/8	8 1/2	1 15/16	1 1/2	4 3/4	6 5/16	4 1/4	PG 11
	CDXM 120/206	1 1/4" NPT	1" NPT	2	8 3/16	13 11/16	7 13/16	9 1/16	4 3/16	4 7/8	9 13/16	2 3/16	1 9/16	5 1/2	7 1/16	4 1/8	PG 13.5
	CDXM 200/156	1 1/2" NPT	1" NPT	1.5	8 3/16	12 5/8	7 1/8	9 1/16	4 3/16	4 7/8	8 1/2	1 15/16	1 1/2	4 3/4	6 5/16	4 1/4	PG 11
	CDX 200/206	1 1/2" NPT	1" NPT	2	8 3/16	13 11/16	7 13/16	9 1/16	4 3/16	4 7/8	9 5/16	2 3/16	1 9/16	5 1/2	7 1/16	4 1/8	PG 13.5

Dimensions: mm

Phase	Model	Suc. (in.)	Disc. (in.)	HP	A	B	C	H	H1	H2	H4 [1~]	M	M1	N	N1	R	T [1~]
Three	CDXM 70/076	1 1/4" NPT	1" NPT	0.75	208	321	181	229.5	106	123.5	216	50	38	120	160	108	PG 11
	CDXM 70/106	1 1/4" NPT	1" NPT	1	208	321	181	229.5	106	123.5	216	50	38	120	160	108	PG 11
	CDXM 70/156	1 1/4" NPT	1" NPT	1.5	208	321	181	229.5	106	123.5	216	50	38	120	160	108	PG 11
	CDXM 120/106	1 1/4" NPT	1" NPT	1	208	321	181	229.5	106	123.5	216	50	38	120	160	108	PG 11
	CDXM 120/156	1 1/4" NPT	1" NPT	1.5	208	321	181	229.5	106	123.5	216	50	38	120	160	108	PG 11
	CDXM 120/206	1 1/4" NPT	1" NPT	2	208	347	198.5	229.5	106	123.5	249	55	40	140	180	105.5	PG 13.5
	CDXM 200/156	1 1/2" NPT	1" NPT	1.5	208	321	181	229.5	106	123.5	216	50	38	120	160	108	PG 11
	CDXM 200/206	1 1/2" NPT	1" NPT	2	208	347	198.5	229.5	106	123.5	237	55	40	140	180	105.5	PG 13.5

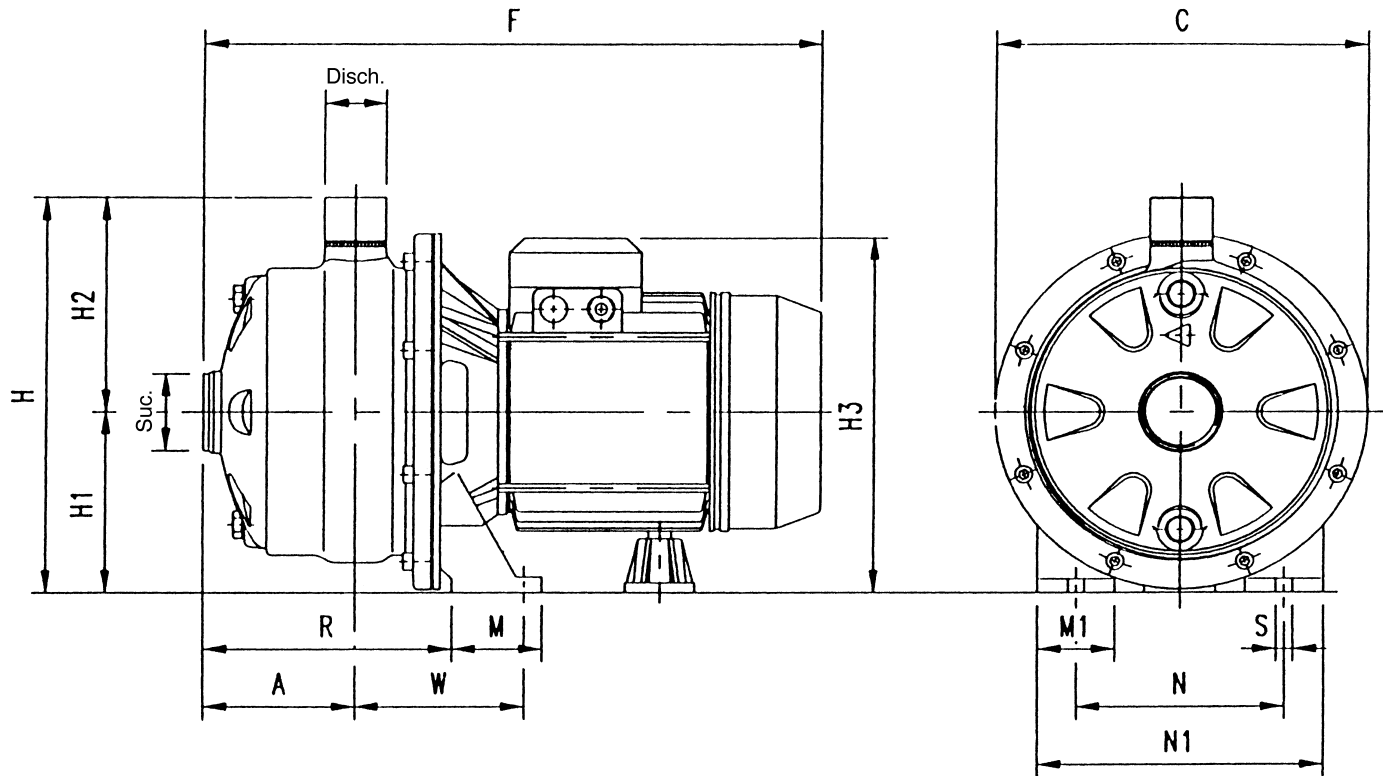


EBARA Stainless Steel Two-Stage Centrifugal Pumps

Model 2CDX

Pump Dimensions

Pump with IP55 TEFC motor only



Dimensions: inch

PHASE	MODEL	HP	SIZE		PUMP & MOTOR														Weight Lbs
			Suc.	Disch.	A	C	F	H	H ₁	H ₂	H ₃	M	M ₁	N	N ₁	R	S	W	
THREE	2CDXU70/206	2	1 1/4" NPT	1" NPT	3 7/16	9 7/8	14 15/16	9 13/16	4 5/8	5 3/16	8 7/8	2 3/16	1 9/16	5 1/2	7 1/16	5 1/2	3/8	3 3/4	37
	2CDXU70/306	3	1 1/4" NPT	1" NPT	3 7/16	9 7/8	14 15/16	9 13/16	4 5/8	5 3/16	8 7/8	2 3/16	1 9/16	5 1/2	7 1/16	5 1/2	3/8	3 3/4	37
	2CDXU120/306	3	1 1/4" NPT	1" NPT	3 7/16	9 7/8	14 15/16	9 13/16	4 5/8	5 3/16	8 7/8	2 3/16	1 9/16	5 1/2	7 1/16	5 1/2	3/8	3 3/4	39
	2CDXU200/506	5.5	1 1/2" NPT	1" NPT	3 7/16	9 7/8	17 3/8	9 13/16	4 5/8	5 3/16	9 9/16	2 11/16	1 15/16	6 5/16	8 1/4	5 11/16	1/2	4 5/16	71

Dimensions: mm

PHASE	MODEL	HP	SIZE		PUMP & MOTOR														Weight kg
			Suc.	Disch.	A	C	F	H	H ₁	H ₂	H ₃	M	M ₁	N	N ₁	R	S	W	
THREE	2CDXU70/206	2	1 1/4" NPT	1" NPT	87	232	380	250	118	132	226	55	40	140	180	139.5	9	95	17
	2CDXU70/306	3	1 1/4" NPT	1" NPT	87	232	380	250	118	132	226	55	40	140	180	139.5	9	95	17
	2CDXU120/306	3	1 1/4" NPT	1" NPT	87	232	380	250	118	132	226	55	40	140	180	139.5	9	95	18
	2CDXU200/506	5.5	1 1/2" NPT	1" NPT	87	232	441	250	118	132	243	68	50	160	210	144.5	12	109	32