

# Stainless Steel Centrifugal Pump



**PUMP SUPPLY**  
INCORPORATED

**Model CDU / 2CDU**



Pump Dimensions

**Illinois Location:**

(847) 841-7867  
860 Church Rd Elgin, IL 60120

**Minnesota Location:**

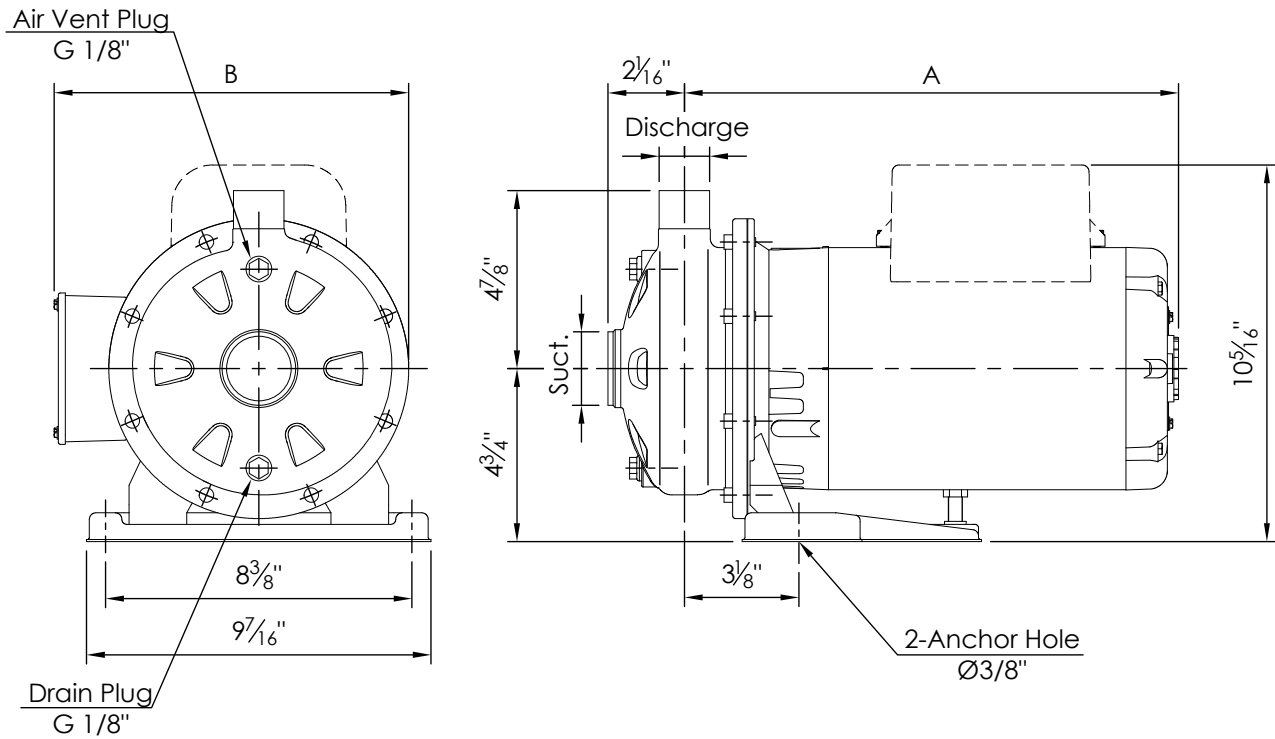
(651) 758-7867  
330 Mill Bay South Suite  
Afton, MN 55001

PumpSupplyInc.com



**EBARA**

EBARA Pumps Americas Corporation

**EBARA Stainless Steel Centrifugal Pumps****Model CDU****Pump Dimensions****Model CDU, 2-Pole Motor**

Model	Size	Pump Size - NPT (Inch)		Dimension (Inch)		Unit Weight (lbs.)			
		Suction	Discharge	A	B	Single Phase		Three Phase	
						ODP	TEFC	ODP	TEFC
CDU70/0 - 1/2HP	1 x 1 1/4 x 4 1/2	1 1/4	1	14 11/16	9 1/8	36	41	31	31
CDU70/1 - 3/4HP	1 x 1 1/4 x 4 1/2	1 1/4	1	15 3/16	9 1/8	36	41	31	31
CDU70/3 - 1 1/2HP	1 x 1 1/4 x 5 3/16	1 1/4	1	16 3/16	9 1/8	47	50	39	39
CDU70/5A - 2HP	1 x 1 1/4 x 6 3/16	1 1/4	1	16 5/8	9 1/8	51	58	44	48
CDU70/5B - 2HP	1 x 1 1/4 x 6 3/16	1 1/4	1	16 5/8	9 1/8	51	58	44	48
CDU120/1-1HP	1 x 1 1/4 x 4 1/2	1 1/4	1	15 11/16	9 1/8	41	46	33	32
CDU120/3-1 1/2HP	1 x 1 1/4 x 5 3/16	1 1/4	1	16 3/16	9 1/8	47	50	39	39
CDU120/5-3HP	1 x 1 1/4 x 6 3/16	1 1/4	1	17 3/8	9 1/8	59	66	51	60
CDU200/1-1 1/2HP	1 x 1 1/2 x 4 1/2	1 1/2	1	16 3/16	9 1/8	47	50	39	39
CDU200/3-3HP	1 x 1 1/2 x 5 3/16	1 1/2	1	17 3/8	9 1/8	58	65	50	59
CDU200/5-3HP	1 x 1 1/2 x 5 11/16	1 1/2	1	17 3/8	9 1/8	58	65	50	59

**Model CDU, 4-Pole Motor**

Model	Size	Pump Size - NPT (Inch)		Dimension (Inch)		Unit Weight (lbs.)			
		Suction	Discharge	A	B	Single Phase		Three Phase	
						ODP	TEFC	ODP	TEFC
CDU4120/5 - 1/3HP	1 x 1 1/4 x 4 1/2	1 1/4	1	14 11/16	9 1/8	32	31	31	30
CDU4200/5 - 1/2HP	1 x 1 1/4 x 4 1/2	1 1/4	1	15 3/16	9 1/8	35	31	31	31



# EBARA Stainless Steel Two-Stage Centrifugal Pumps

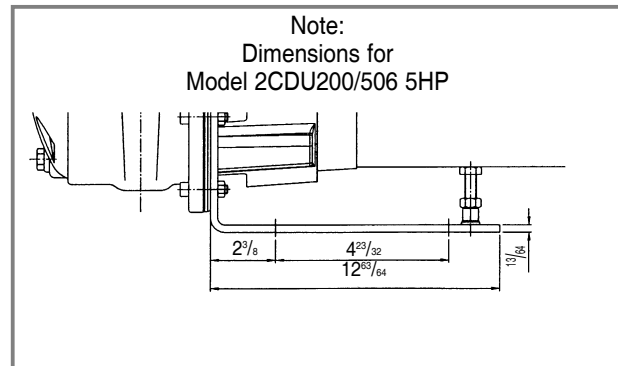
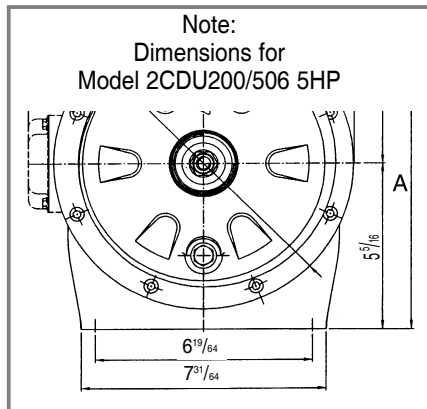
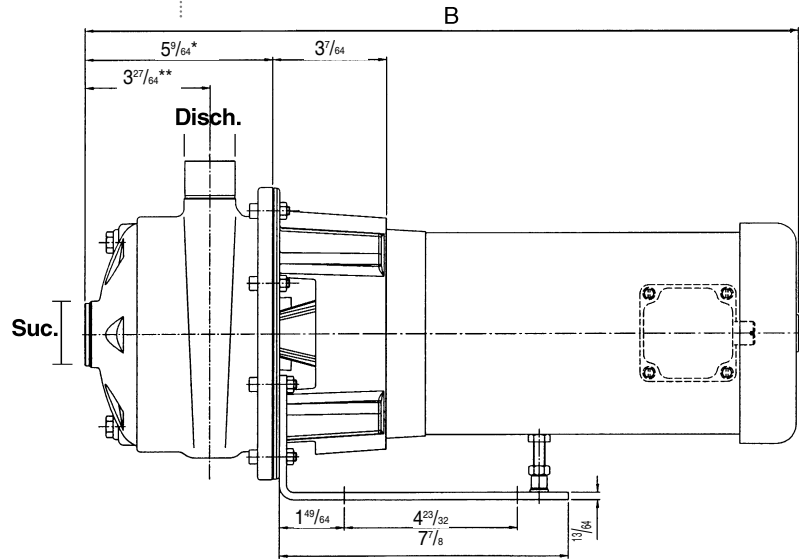
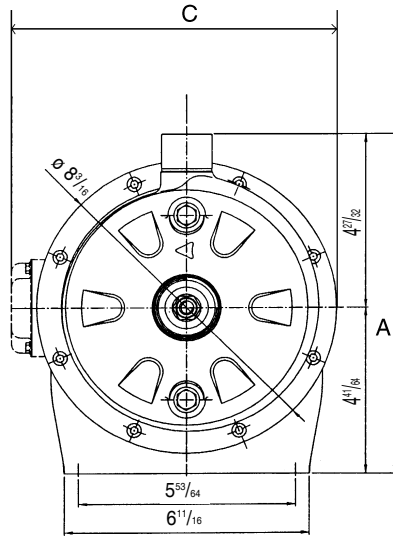
## Pump Dimensions

Model 2CDU

### Pump with Standard NEMA motor

Note: All dimensions in inches

Note:  
Dimensions for Model 2CDU120/306  
\*5<sup>1</sup>/<sub>32</sub>  
\*\*3<sup>1</sup>/<sub>2</sub>



Model	Pump Size - NPT (Inch)		Dimension (Inch)			Approximate Weight (lbs.)			
	Suction	Discharge	Maximum Height (A)	Maximum Length (B)	Maximum Width (C)	Single Phase		Three Phase	
						ODP	TEFC	ODP	TEFC
2CDU70/206	1 ¼	1	9.77	20.27	7.323	55	65	50	45
2CDU70/306	1 ¼	1	10.82	21.87	11.66	65	90	55	60
2CDU120/306	1 ¼	1	10.82	21.91	11.66	65	90	55	65
2CDU200/506	1 ½	1	11.66	23.5	11.66	n/a	100	n/a	90

