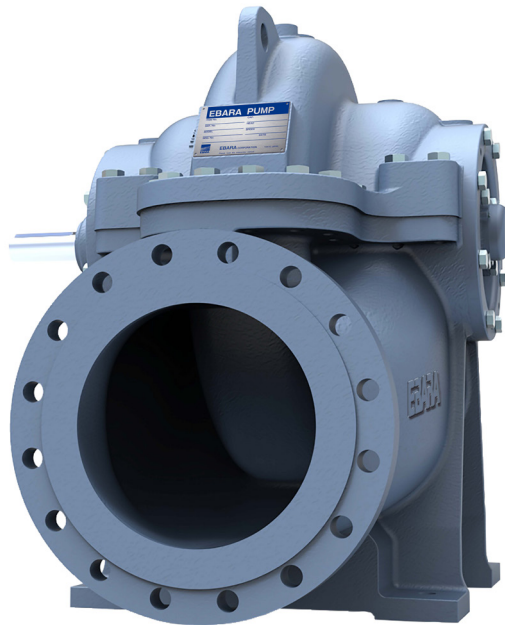


EBARA Horizontal Split Case Pump**CB Series****Contents****Illinois Location:**

(847) 841-7867

860 Church Rd Elgin, IL 60123

Minnesota Location:

(651) 758-7867

330 Mill Bay South Suite 1511 Afton, MN 55001

PumpSupplyInc.com

Section	Page
Model Designation	2
Pump Specifications	3
Motor Specifications	3
Technical Data	
Impeller Diameter	4
Nominal Dimension of Parts	5
Dimensions	
GA Drawing - Flange Dimensions	6
Bare Shaft - 4P	7
Bare Shaft - 6P	9
Sectional View	
Pump Sectional View	11
Mechanical Seal Sectional View	12
Selection Chart	
Selection Chart - US Units	13
Selection Chart - Metric Units	15



PUMP SUPPLY
INCORPORATED

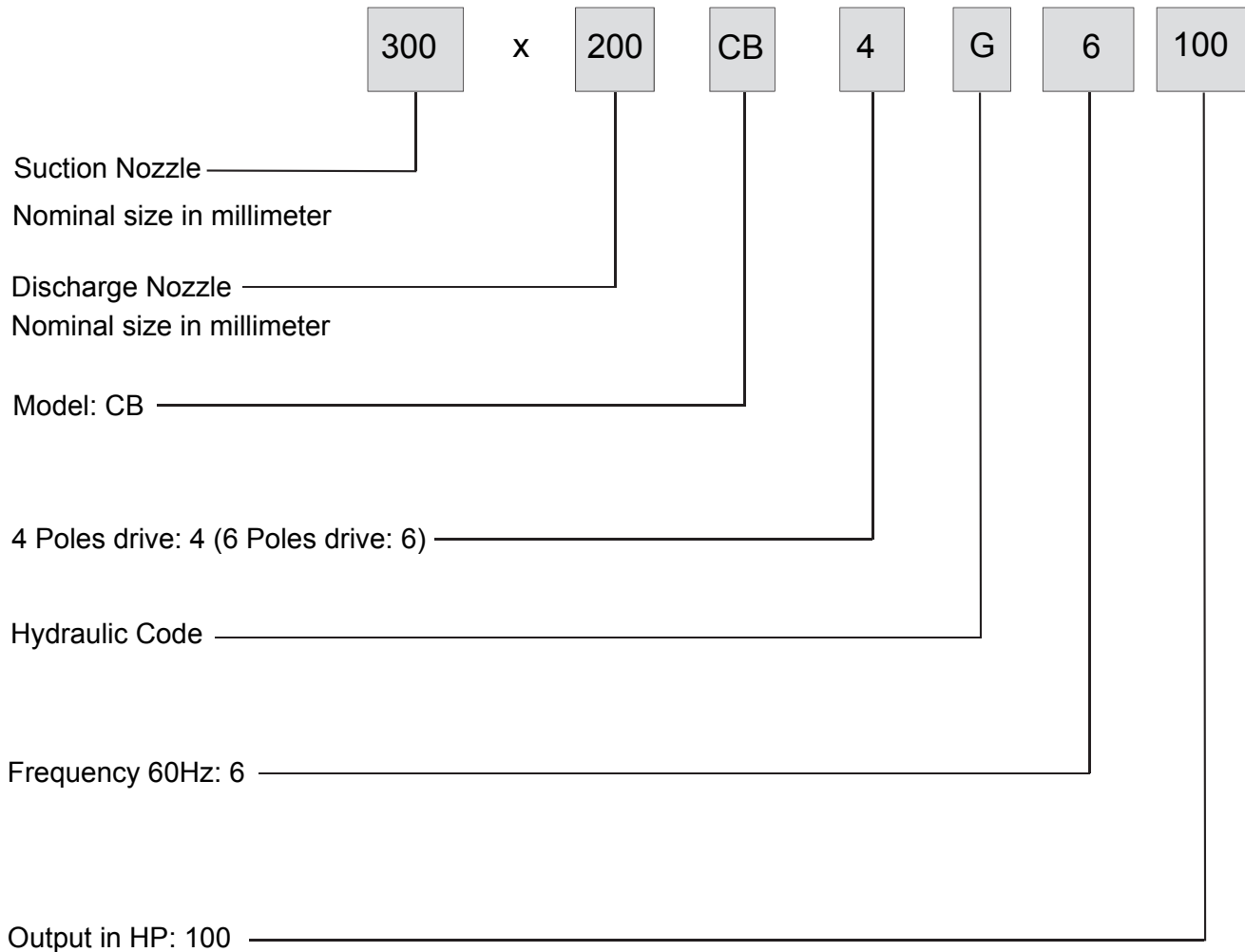
1

rev. 07/20

EBARA Horizontal Split Case Pump

CB Series

Model Designation



Illinois Location:
(847) 841-7867
860 Church Rd Elgin, IL 60120

Minnesota Location:
(651) 758-7867
330 Mill Bay South Suite
Afton, MN 55001

PumpSupplyInc.com



PUMP SUPPLY
INCORPORATED

EBARA Horizontal Split Case Pump

CB Series

Specifications

Pump Specifications

	Standard	Optional
Range of HP Frame Mounted	7.5HP to 1,000HP	
Range of Performance Capacity Head	to 16,375 gpm (60Hz) to 492 ft (60Hz)	
Liquid Handled Type of Liquid Temperature	Clean Water 32°F - 176°F	
Max. Operating Pressure	232 PSI (16 Bar)	
Construction Impeller Shaft Seal Flushing Ball Bearing	Enclosed double suction Mechanical Seal No Flushing Sealed ball bearing (grease lubrication)	External Flushing
Flange	ANSI 125#	ANSI 250#
Material Casing Impeller Main Shaft Mechanical Seal	FC250 or FCD450 *1 SCS13 - 304SS SUS420J1 Ceramic/Carbon NBR or Silicon Carbide/Carbon FPM *2	

*1: It is applicable for Model 300x200CBJY, 350x250CBJ, 400x300CBH, 400x300CBJX, 400x300CBJY, 400x400CBF, 450x300CBH, 450x350CBG, 450x400CBF, 500x350CBG
*2: It is applicable for Model 350x250CBJ, 400x300CBH, 400x300CBJX, 400x300CBJY

Motor Specifications

Number of poles	4 poles	6 poles
Synchronous speed	1800min ⁻¹	1200min ⁻¹
Phase	3 phase	
Voltage	230/460V ±10%	
Type	Totally enclosed fan cooled	
Frequency	30~60Hz	

* Optional:

1. Open Drip Proof Motor
2. Varying frequency running (5~60Hz)
3. Other types of motor that user may require

Standard Accessories:

- Common Base
- Coupling
- Coupling Guard



PUMP SUPPLY
INCORPORATED

EBARA Horizontal Split Case Pump

CB Series

Technical Data - Impeller Diameter

— Not applicable for this Model

Unit : mm/in

Model	4P				6P				Impeller Max	
	(mm)		(in)		(mm)		(in)		Sphere Size	
	Max	Min	Max	Min	Max	Min	Max	Min	(mm)	(in)
125X80CBJ	228	191	9.0	7.5	—	—	—	—	6	0.24
125X80CBK	292	234	11.5	9.2	—	—	—	—	7	0.28
125X100CBK	328	262	12.9	10.3	—	—	—	—	8	0.31
150X100CBJ	255	214	10.0	8.4	—	—	—	—	7	0.28
150X100CBK	368	294	14.5	11.6	—	—	—	—	9	0.35
150X125CBH	216	166	8.5	6.5	—	—	—	—	10	0.39
150X125CBJ	286	239	11.3	9.4	—	—	—	—	8	0.31
150X150CBG	196	165	7.7	6.5	—	—	—	—	15	0.59
200X100CBK	413	330	16.3	13.0	—	—	—	—	11	0.43
200X125CBH	242	186	9.5	7.3	—	—	—	—	11	0.43
200X125CBJ	319	267	12.6	10.5	—	—	—	—	9	0.35
200X150CBG	220	185	8.7	7.3	—	—	—	—	17	0.67
200X150CBH	272	209	10.7	8.2	—	—	—	—	12	0.47
200X150CBJ	357	299	14.1	11.8	—	—	—	—	10	0.39
200X200CBF	197	165	7.8	6.5	—	—	—	—	20	0.79
250X150CBH	306	235	12.0	9.3	—	—	—	—	14	0.55
250X150CBJ	401	336	15.8	13.2	—	—	—	—	12	0.47
250X150CBK	463	370	18.2	14.6	—	—	—	—	12	0.47
250X200CBF	221	185	8.7	7.3	—	—	—	—	23	0.91
250X200CBGX	247	207	9.7	8.1	—	—	—	—	20	0.79
250X200CBGY	277	233	10.9	9.2	—	—	—	—	22	0.87
250X200CBH	343	264	13.5	10.4	—	—	—	—	16	0.63
300X150CBK	521	416	20.5	16.4	—	—	—	—	14	0.55
300X200CBG	311	261	12.2	10.3	—	—	—	—	25	0.98
300X200CBH	386	296	15.2	11.7	—	—	—	—	18	0.71
300X200CBJX	448	376	17.6	14.8	—	—	—	—	13	0.51
300X200CBJY	503	421	19.8	16.6	—	—	—	—	15	0.59
300X250CBFX	247	208	9.7	8.2	—	—	—	—	26	1.02
300X250CBFY	277	232	10.9	9.1	—	—	—	—	29	1.14
300X250CBG	349	293	13.7	11.5	—	—	—	—	28	1.10
300X250CBH	432	332	17.0	13.1	—	—	—	—	20	0.79
350X250CBG	392	329	15.4	12.9	—	—	—	—	32	1.26
350X250CBH	486	373	19.1	14.7	486	373	19.1	14.7	23	0.91
350X250CBJ	—	—	—	—	563	472	22.2	18.6	17	0.67
350X300CBF	311	261	12.2	10.3	—	—	—	—	32	1.26
400X300CBG	440	369	17.3	14.5	440	369	17.3	14.5	36	1.42
400X300CBH	—	—	—	—	544	418	21.4	16.5	25	0.98
400X300CBJX	—	—	—	—	631	528	24.8	20.8	19	0.75
400X300CBJY	—	—	—	—	707	593	27.8	23.3	21	0.83
400X350CBF	349	293	13.7	11.5	—	—	—	—	36	1.42
400X400CBF	—	—	—	—	391	328	15.4	12.9	41	1.61
450X300CBH	—	—	—	—	612	470	24.1	18.5	29	1.14
450X350CBG	—	—	—	—	494	414	19.4	16.3	40	1.57
450X400CBF	—	—	—	—	439	370	17.3	14.6	46	1.81
500X350CBG	—	—	—	—	555	465	21.9	18.3	45	1.77



PUMP SUPPLY
INCORPORATED

EBARA Horizontal Split Case Pump**CB Series****Technical Data - Nominal Dimension of Parts**

Model	Drive Side Shaft Diameter (mm)	At Radial Bearing	At Thrust Bearing	Drive side Mechanical Seal	Opposite Drive side Mechanical Seal
125X80CBJ	28	UCFC206FC	UCFC206FD	0350 / T 2100	0350 / T 2100
125X80CBK	28	UCFC206FC	UCFC206FD	0350 / T 2100	0350 / T 2100
125X100CBK	38	UCFC208FC	UCFC206FD	0450 / T 2100	0350 / T 2100
150X100CBJ	38	UCFC208FC	UCFC206FD	0450 / T 2100	0350 / T 2100
150X100CBK	48	UCFC210FC	UCFC208FD	0550 / T 2100	0450 / T 2100
150X125CBH	38	UCFC208FC	UCFC206FD	0450 / T 2100	0350 / T 2100
150X125CBJ	48	UCFC210FC	UCFC208FD	0550 / T 2100	0450 / T 2100
150X150CBG	28	UCFC206FC	UCFC206FD	0350 / T 2100	0350 / T 2100
200X100CBK	48	UCFC210FC	UCFC208FD	0550 / T 2100	0450 / T 2100
200X125CBH	38	UCFC208FC	UCFC206FD	0450 / T 2100	0350 / T 2100
200X125CBJ	38	UCFC208FC	UCFC206FD	0450 / T 2100	0350 / T 2100
200X150CBG	28	UCFC206FC	UCFC206FD	0350 / T 2100	0350 / T 2100
200X150CBH	28	UCFC206FC	UCFC206FD	0350 / T 2100	0350 / T 2100
200X150CBJ	48	UCFC210FC	UCFC208FD	0550 / T 2100	0450 / T 2100
200X200CBF	28	UCFC206FC	UCFC206FD	0350 / T 2100	0350 / T 2100
250X150CBH	38	UCFC208FC	UCFC206FD	0450 / T 2100	0350 / T 2100
250X150CBJ	55	UCFC212FC	UCFC210FD	0650 / T 2100	0550 / T 2100
250X150CBK	65	UCFC214FC	UCFC212FD	0750 / T 2100	0650 / T 2100
250X200CBF	38	UCFC208FC	UCFC206FD	0450 / T 2100	0350 / T 2100
250X200CBGX	38	UCFC208FC	UCFC206FD	0450 / T 2100	0350 / T 2100
250X200CBGY	48	UCFC210FC	UCFC208FD	0550 / T 2100	0450 / T 2100
250X200CBH	48	UCFC210FC	UCFC208FD	0550 / T 2100	0450 / T 2100
300X150CBK	65	UCFC214FC	UCFC212FD	0750 / T 2100	0650 / T 2100
300X200CBG	48	UCFC210FC	UCFC208FD	0550 / T 2100	0450 / T 2100
300X200CBH	55	UCFC212FC	UCFC210FD	0650 / T 2100	0550 / T 2100
300X200CBJX	65	UCFC214FC	UCFC212FD	0750 / T 2100	0650 / T 2100
300X200CBJY	75	UCFC216FC	UCFC214FD	0850 / T 2100	0750 / T 2100
300X250CBFX	38	UCFC208FC	UCFC206FD	0450 / T 2100	0350 / T 2100
300X250CBFY	48	UCFC210FC	UCFC208FD	0550 / T 2100	0450 / T 2100
300X250CBG	65	UCFC214FC	UCFC212FD	0750 / T 2100	0650 / T 2100
300X250CBH	65	UCFC214FC	UCFC212FD	0750 / T 2100	0650 / T 2100
350X250CBG	75	UCFC216FC	UCFC214FD	0850 / T 2100	0750 / T 2100
350X250CBH	75	UCFC216FC	UCFC214FD	0850 / T 2100	0750 / T 2100
350X250CBJ	95	UCFCX20C	UCFC218FD	1047 / T 8-1	0950 / T 2100
350X300CBF	55	UCFC212FC	UCFC210FD	0650 / T 2100	0550 / T 2100
400X300CBG	85	UCFC218FC	UCFC216FD	0950 / T 2100	0850 / T 2100
400X300CBH	95	UCFCX20C	UCFC218FD	1047 / T 8-1	0950 / T 2100
400X300CBJX	105	UCFS322C	UCFS320FD	1174 / T 8-1	1079 / T 8-1
400X300CBJY	95	UCFCX20C	UCFC218FD	1047 / T 8-1	0950 / T 2100
400X350CBF	65	UCFC214FC	UCFC212FD	0750 / T 2100	0650 / T 2100
400X400CBF	75	UCFC216FC	UCFC214FD	0850 / T 2100	0750 / T 2100
450X300CBH	85	UCFC218FC	UCFC216FD	0950 / T 2100	0850 / T 2100
450X350CBG	75	UCFC216FC	UCFC214FD	0850 / T 2100	0750 / T 2100
450X400CBF	65	UCFC214FC	UCFC212FD	0750 / T 2100	0650 / T 2100
500X350CBG	85	UCFC218FC	UCFC216FD	0950 / T 2100	0850 / T 2100



PUMP SUPPLY
INCORPORATED

5

rev. 07/20

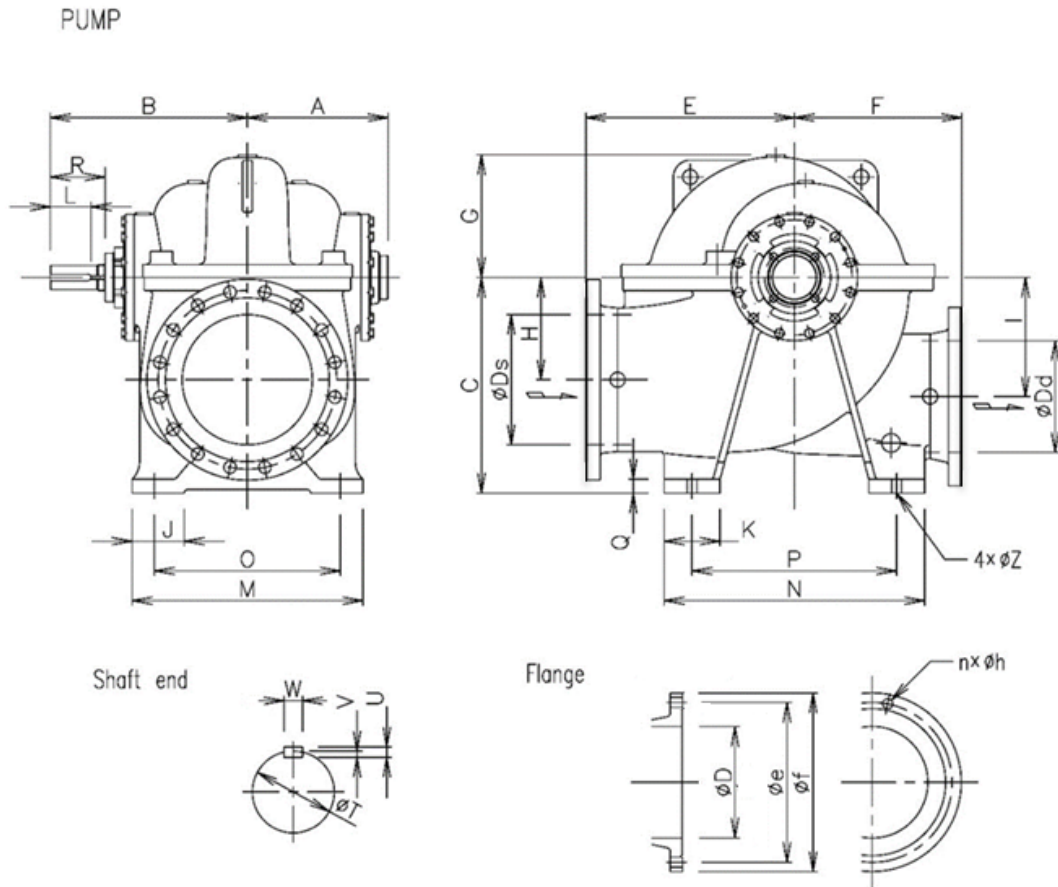
EBARA Horizontal Split Case Pump

CB Series

Dimensions

CB Horizontal Split Case

Project: _____ Model: _____ Chk'd: _____ Date: _____



ASME/ANSI B16.1 125lb (FF)					
D	D	e	f	n	h
(mm)	(inches)	(inches)	(inches)	#	(inches)
80	3	6.00	7.50	4	0.75
100	4	7.50	9.00	8	0.75
125	5	8.50	10.00	8	0.875
150	6	9.50	11.00	8	0.875
200	8	11.75	13.50	8	0.875
250	10	14.25	16.00	12	1.0
300	12	17.00	19.00	12	1.0
350	14	18.75	21.00	12	1.125
400	16	21.25	23.50	16	1.125
450	18	23.75	25.00	16	1.25
500	20	25.00	27.50	20	1.25



PUMP SUPPLY
INCORPORATED

EBARA Horizontal Split Case Pump **CB Series**

Dimensions - Dimensions of Bare Shaft Pump

■4P

Units:mm

MODEL	Size		Pump															Shaft						Wt (KG)	
	Ds	Dd	A	B	C	E	F	G	H	I	J	K	M	N	O	P	Q	Z	L	R	T	U	V		W
125X80CBJ	125	80	188	272	310	300	250	170	165	165	60	70	300	290	250	230	20	19	56	60.1	28	8	5	10	110
125X80CBK	125	80	225	310	290	330	250	195	140	180	70	80	340	320	280	250	20	19	63	70	28	8	5	10	170
125X100CBK	125	100	245	370	345	370	280	230	180	200	80	90	380	360	310	270	25	19	80	91	38	8	5	10	240
150X100CBJ	150	100	202.5	327.5	340	310	280	200	175	185	60	70	300	290	250	230	20	19	80	88	38	8	5	10	170
150X100CBK	150	100	272	403	380	415	305	255	180	230	90	100	430	400	350	300	25	19	90	99	48	9	5.5	14	310
150X125CBH	150	125	210	335	360	330	290	180	185	175	80	90	380	360	310	270	25	19	80	84.5	38	8	5	10	170
150X125CBJ	150	125	234	366	370	340	315	224	205	205	80	90	380	360	310	270	25	19	90	102	48	9	5.5	14	200
150X150CBG	150	150	225	320	350	305	275	170	175	165	80	90	380	360	310	270	25	19	63	85	28	8	5	10	150
200X100CBK	200	100	285	420.5	430	465	350	275	185	255	100	110	480	450	390	340	25	24	100	109	48	9	5.5	14	430
200X125CBH	200	125	221.5	348.5	385	340	265	215	200	200	80	90	380	360	310	270	25	19	80	88	38	8	5	10	190
200X125CBJ	200	125	221.5	348.5	405	400	280	240	210	230	80	90	380	360	310	270	25	19	80	88	38	8	5	10	240
200X150CBG	200	150	255	350	370	330	285	205	185	185	80	100	430	400	350	300	25	19	80	91	28	8	5	10	210
200X150CBH	200	150	242.5	352.5	395	380	260	240	210	220	90	100	430	400	350	300	25	19	80	90	28	8	5	10	260
200X150CBJ	200	150	265.5	389.5	425	405	390	275	230	260	90	100	430	400	350	300	25	19	90	96	48	9	5.5	14	380
200X200CBF	200	200	245	340	385	380	320	210	200	200	90	100	430	400	350	300	25	19	63	70	28	8	5	10	230
250X150CBH	250	150	272	408	460	425	290	264	230	250	100	110	480	450	390	340	25	24	90	101	38	8	5	10	340
250X150CBJ	250	150	294	451	480	450	440	310	250	290	100	110	480	450	390	340	25	24	100	111	55	10	6	16	470
250X150CBK	250	150	345	520	480	520	390	310	205	285	110	120	550	520	450	400	30	24	110	123	65	11	7	18	630
250X200CBF	250	200	275	390	450	395	315	243	225	225	100	110	480	450	390	340	25	24	80	86	38	8	5	10	320
250X200CBGX	250	200	270	385	435	370	300	225	210	210	90	110	480	450	390	340	25	24	80	86	38	8	5	10	270
250X200CBGY	250	200	290	415	475	415	340	250	235	235	100	120	550	520	450	400	30	24	90	99	48	9	5.5	14	340
250X200CBH	250	200	284.5	420.5	505	475	350	280	260	280	110	120	550	520	450	400	30	24	100	109	48	9	5.5	14	470
300X150CBK	300	150	350	535	485	600	440	345	235	320	110	120	550	520	450	400	25	24	125	133	65	11	7	18	860
300X200CBG	300	200	310	460	525	465	355	270	260	265	110	120	550	520	450	400	30	24	100	115	48	9	5.5	14	580
300X200CBH	300	200	310	490	560	535	405	320	295	315	110	120	550	520	450	400	30	24	110	124	55	10	6	16	690
300X200CBJX	300	200	321	480	545	505	495	336	280	320	110	130	550	520	450	400	30	24	110	124.5	65	11	7	18	720
300X200CBJY	300	200	349	526	565	565	550	374	315	360	120	120	550	520	450	400	30	24	125	132.5	75	12	7.5	20	870
300X250CBFX	300	250	280	415	505	445	350	265	255	255	100	120	550	520	450	400	30	24	90	101	38	8	5	10	480
300X250CBFY	300	250	335	460	520	495	355	300	275	285	110	120	550	520	450	400	30	26	90	105	48	9	5.5	14	590
300X250CBG	300	250	370	525	600	560	450	305	307	300	135	150	620	700	500	550	38	26	110	121	65	11	7	18	780
300X250CBH	300	250	350	535	625	600	450	355	340	355	135	150	620	700	500	550	38	26	125	133	65	11	7	18	860
350X250CBG	350	250	390	570	585	585	440	340	270	335	135	150	620	700	500	550	38	26	125	132	75	12	7.5	20	890
350X250CBH	350	250	365	555	665	675	500	395	270	395	120	140	800	800	720	660	30	28	125	137	75	12	7.5	20	1180
350X300CBF	350	300	360	510	600	560	450	330	275	320	130	150	620	700	500	550	38	26	100	107	55	10	6	16	830
400X300CBG	400	300	440	630	625	660	510	380	310	375	110	140	800	700	720	560	38	28	125	158	85	14	9	22	1400
400X350CBF	400	350	420	575	645	625	510	370	321	360	150	135	700	700	550	550	38	26	110	124.5	65	11	7	18	1050



PUMP SUPPLY
INCORPORATED

EBARA Horizontal Split Case Pump

CB Series

Dimensions - Dimensions of Bare Shaft Pump

■ 6P


Units:in

MODEL	Size		Pump															Shaft						Wt (lbs)	
	Ds	Dd	A	B	C	E	F	G	H	I	J	K	M	N	O	P	Q	Z	L	R	T	U	V		W
350X250CBH	14	10	14.37	21.85	26.18	26.57	19.69	15.55	10.63	15.55	4.72	5.51	31.50	31.50	28.35	25.98	1.18	1.10	4.92	5.39	2.95	0.47	0.30	0.79	2601
350X250CBJ	14	10	15.53	24.43	25.39	25.00	24.21	16.54	13.19	15.94	4.72	5.51	27.56	27.56	24.41	22.05	1.18	1.10	5.51	6.30	3.74	0.55	0.35	0.98	2734
400X300CBG	16	12	17.32	24.80	24.61	25.98	20.08	14.96	12.20	14.76	4.33	5.51	31.50	27.56	28.35	22.05	1.50	1.10	4.92	6.22	3.35	0.55	0.35	0.87	3086
400X300CBH	16	12	17.72	26.97	28.15	29.72	20.28	17.52	12.60	17.52	4.33	5.51	31.50	31.50	28.35	25.98	1.18	1.10	6.30	7.05	3.74	0.55	0.35	0.98	3682
400X300CBJX	16	12	22.01	29.76	28.54	27.95	27.17	18.50	14.96	17.91	5.51	5.51	31.50	31.50	25.98	25.98	1.18	1.10	6.30	6.69	4.13	0.63	0.39	1.10	4277
400X300CBJY	16	12	17.01	25.91	32.09	31.50	24.80	20.28	16.54	20.08	5.12	6.30	33.86	35.43	30.71	29.13	1.38	1.18	5.51	5.71	3.74	0.55	0.35	0.98	2778
400X400CBF	16	16	18.50	25.39	28.54	27.17	19.88	16.14	14.96	15.94	5.12	6.30	33.86	31.50	30.71	25.20	1.38	1.18	4.92	5.20	2.95	0.47	0.30	0.79	3417
450X300CBH	18	12	18.72	26.75	31.50	31.50	22.83	19.29	14.96	19.69	5.12	6.30	33.86	33.86	30.71	29.13	1.38	1.18	5.51	5.69	3.35	0.55	0.35	0.87	3086
450X350CBG	18	14	16.30	23.86	27.76	29.13	21.85	16.54	14.17	16.54	4.72	6.30	33.86	31.50	30.71	25.20	1.38	1.18	4.92	5.83	2.95	0.47	0.30	0.79	2447
450X400CBF	18	16	17.87	24.41	30.71	29.53	22.24	17.72	16.34	17.52	5.12	6.30	36.22	35.43	33.07	29.13	1.18	1.18	4.92	5.28	2.56	0.43	0.28	0.71	2954
500X350CBG	20	14	18.72	26.75	30.51	32.68	23.62	18.31	15.55	18.50	4.72	6.30	36.22	35.43	33.07	29.13	1.38	1.18	5.51	6.38	3.35	0.55	0.35	0.87	3219

Illinois Location:
 (847) 841-7867
 860 Church Rd Elgin, IL 61

Minnesota Location:
 (651) 758-7867
 330 Mill Bay South Suite
 Afton, MN 55001

PumpSupplyInc.com





EBARA Horizontal Split Case Pump

CB Series

Dimensions - Dimensions of Bare Shaft Pump

■6P


Units:mm

MODEL	Size		Pump																Shaft						Wt (KG)
	Ds	Dd	A	B	C	E	F	G	H	I	J	K	M	N	O	P	Q	Z	L	R	T	U	V	W	
350X250CBH	350	250	365	555	665	675	500	395	270	395	120	140	800	800	720	660	30	28	125	137	75	12	7.5	20	1180
350X250CBJ	350	250	394.5	620.5	645	635	615	420	335	405	120	140	700	700	620	560	30	28	140	160	95	14	9	25	1240
400X300CBG	400	300	440	630	625	660	510	380	310	375	110	140	800	700	720	560	38	28	125	158	85	14	9	22	1400
400X300CBH	400	300	450	685	715	755	515	445	320	445	110	140	800	800	720	660	30	28	160	179	95	14	9	25	1670
400X300CBJX	400	300	559	756	725	710	690	470	380	455	140	140	800	800	660	660	30	28	160	170	105	16	10	28	1940
400X300CBJY	400	300	432	658	815	800	630	515	420	510	130	160	860	900	780	740	35	30	140	145	95	14	9	25	1260
400X400CBF	400	400	470	645	725	690	505	410	380	405	130	160	860	800	780	640	35	30	125	132	75	12	7.5	20	1550
450X300CBH	450	300	475.5	679.5	800	800	580	490	380	500	130	160	860	860	780	740	35	30	140	144.5	85	14	9	22	1400
450X350CBG	450	350	414	606	705	740	555	420	360	420	120	160	860	800	780	640	35	30	125	148	75	12	7.5	20	1110
450X400CBF	450	400	454	620	780	750	565	450	415	445	130	160	920	900	840	740	30	30	125	134	65	11	7	18	1340
500X350CBG	500	350	475.5	679.5	775	830	600	465	395	470	120	160	920	900	840	740	35	30	140	162	85	14	9	22	1460

Illinois Location:
 (847) 841-7867
 860 Church Rd Elgin, IL 61

Minnesota Location:
 (651) 758-7867
 330 Mill Bay South Suite
 Afton, MN 55001

PumpSupplyInc.com



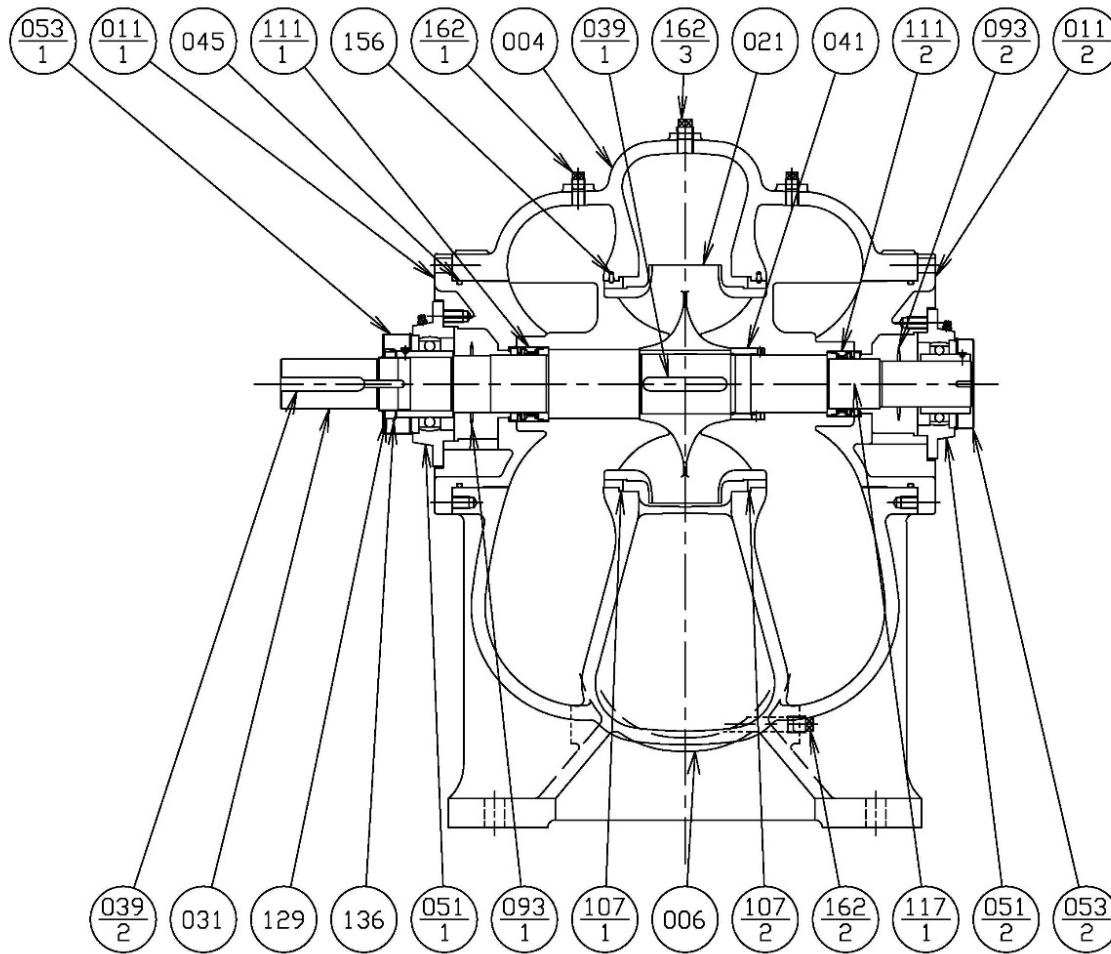


PUMP SUPPLY
 INCORPORATED

EBARA Horizontal Split Case Pump

CB Series

Construction - Sectional View of Pump



Mechanical Seal Type

No	Part Name	GB Material	JIS Material	Qty
053-2	Bearing Cover	HT250	FC250	1
053-1	Bearing Cover	HT250	FC250	1
051-2	Bearing Unit	HT200	FC200	1
051-1	Bearing Unit	HT200	FC200	1
045	O-ring	NBR	NBR	2
041	Impeller Nut	ZCuSn5Pb5Zn5	CAC406	1
039-2	Coupling Key	50	S50C	1
039-1	Impeller Key	20Cr13	SUS420J1	1
031	Shaft	20Cr13	SUS420J1	1
021	Impeller	ZG0Cr18Ni9	SCS13	1
011-2	Side Cover	HT250 (or QT450-10) ^{**1}	FC250 (or FCD450) ^{**1}	1
011-1	Side Cover	HT250 (or QT450-10) ^{**1}	FC250 (or FCD450) ^{**1}	1
006	Casing Lower Half	HT250 (or QT450-10) ^{**1}	FC250 (or FCD450) ^{**1}	1
004	Casing Upper Half	T250 (or QT450-10) ^{**1}	FC250 (or FCD450) ^{**1}	1

No	Part Name	GB Material	JIS Material	Qty
162-3	Plug1"	Q235-A	SS	1
162-2	Plug1/2"	Q235-A	SS	1
162-1	Plug3/8"	Q235-A	SS	2
156	Lock Pin	06Cr19Ni10	SUS304	2
136	Bearing Washer	Q235-A	SS	1
129	Bearing Nut	Q235-A	SS	1
117-1	Gasket (Casing)	-	Fiber Materials	1
111-2	Mechanical Seal	-	-	1
111-1	Mechanical Seal	-	-	1
107-2	Casing Wear Ring	ZCuSn5Pb5Zn5	CAC406	1
107-1	Casing Wear Ring	ZCuSn5Pb5Zn5	CAC406	1
093-2	Deflector (CCP Side)	NBR	NBR	1
093-1	Deflector (CP Side)	NBR	NBR	1

^{**1}: The material is changed to ductile cast iron for model 300X200CBJY, 350X250CBJ, 400X300CBH, 400X300CBJX, 400X300CBJY, 400X400CBF, 450X300CBH, 450X350CBG, 450X400CBF, 500X350CBG.



PUMP SUPPLY
INCORPORATED

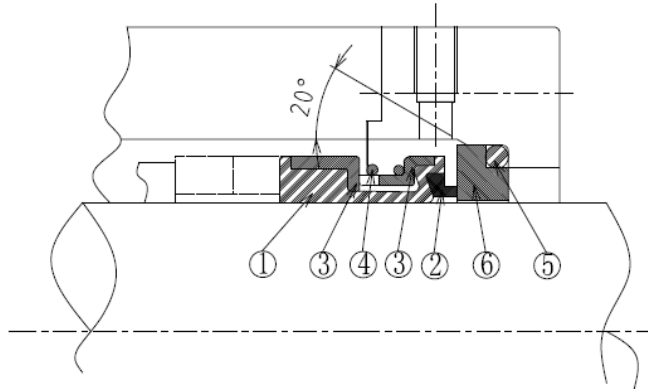
EBARA Horizontal Split Case Pump

CB Series

Construction - Sectional View of Mechanical Seal

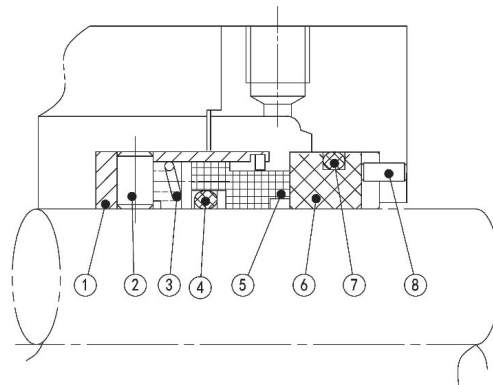


Standard shaft seal (16 bar) : Type 2100 / Diameter of shaft < 100mm



Part No.	Part Name	Material	Qty/unit
1	Bellows	NBR	1
2	Primary Ring	Carbon	1
3	Drive Band	316 Stainless Steel	1
4	Spring	316 Stainless Steel	1
5	O-ring	NBR	1
6	Mating Ring	Ceramic	1

Standard shaft seal (16 bar) : Type 8-1 / Diameter of shaft > 100mm



Part No.	Part Name	Material	Qty/unit
1	Retainer	316 Stainless Steel	1
2	Holding screw	316 Stainless Steel	1
3	Spring	316 Stainless Steel	1
4	O-ring	FPM	1
5	Primary Ring	Carbon	1
6	Mating Ring	Silicon carbide	1
7	O-ring	FPM	1
8	Pin	304 Stainless Steel	1



PUMP SUPPLY
INCORPORATED

EBARA Horizontal Split Case Pump

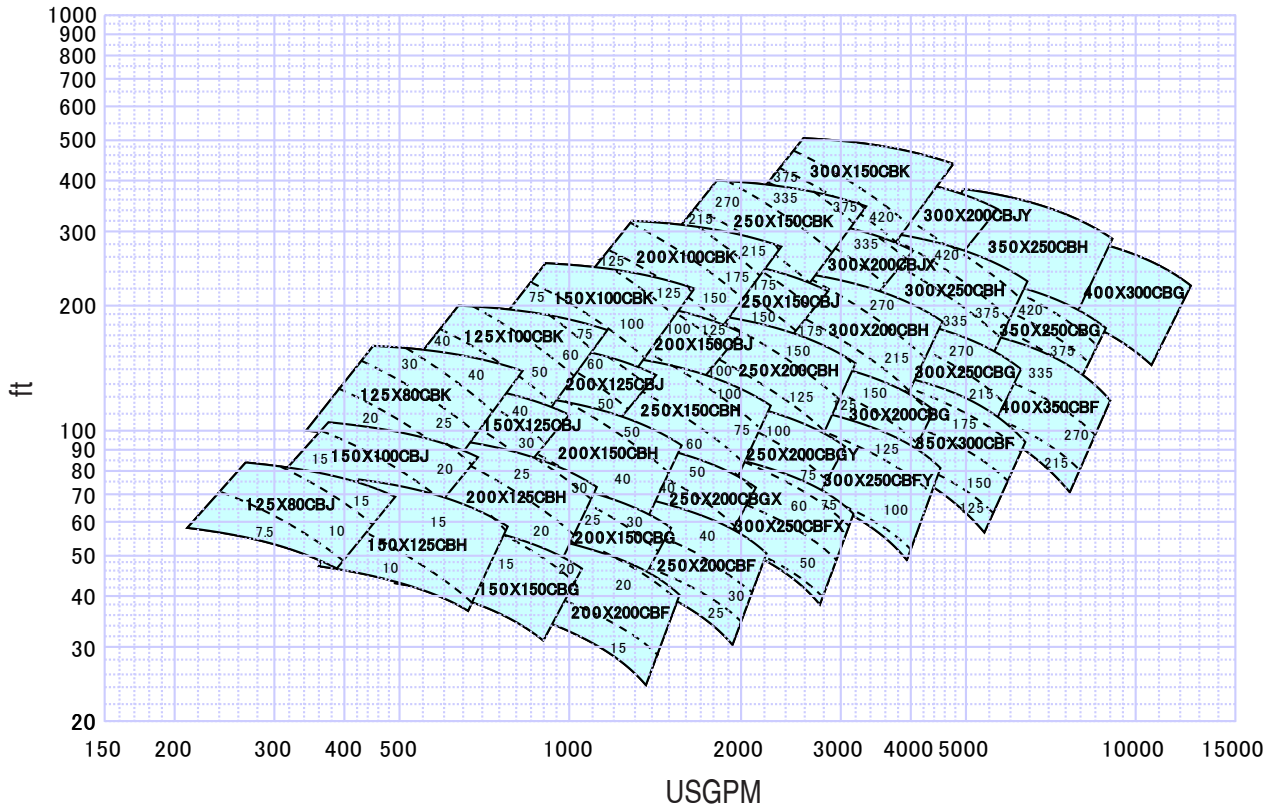
CB Series

Selection Chart USGPM · ft - 4P



60Hz - 4P

CB 60HZ 4P USGPM - FT 20190527



Note1: The value inside the broken lines are motor output(kW) in case of density 1.0kg/L and viscosity 1.0mPa · s.



Note2: The indicated motor output(kW) value includes the following safety margins;

- Up to 7.5kW (10hp) : 15%
- 11kW and above (15hp): 10%

Illinois Location:
(847) 841-7867
860 Church Rd Elgin, IL 60120

Minnesota Location:
(651) 758-7867
330 Mill Bay South Suite :
Afton, MN 55001

PumpSupplyInc.com

PUMP SUPPLY
INCORPORATED



EBARA PUMPS AMERICAS CORPORATION
www.pumpsebara.com
(t) 803.327.5005 (f) 803.327.5097

EBARA Horizontal Split Case Pump

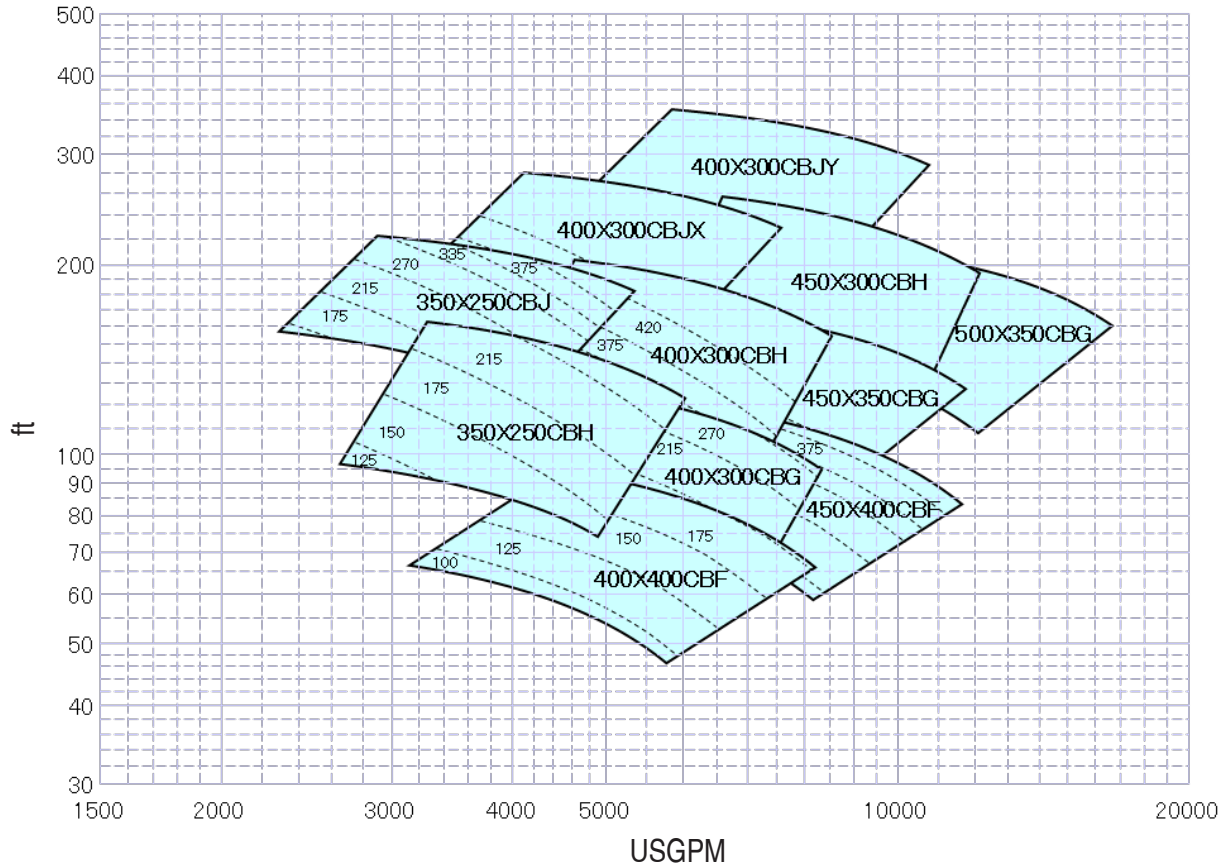
CB Series

Selection Chart USGPM · ft - 6P

60Hz - 6P



CB 60HZ 6P USGPM - FT 20200108



Note1: The value inside the broken lines are motor output(kW) in case of density 1.0kg/L and viscosity 1.0mPa · s.



Note2: The indicated motor output(kW) value includes the following safety margins;

- Up to 7.5kW (10hp) : 15%
- 11kW and above (15hp): 10%

Illinois Location:
 (847) 841-7867
 860 Church Rd Elgin, IL 61

Minnesota Location:
 (651) 758-7867
 330 Mill Bay South Suite
 Afton, MN 55001

PumpSupplyInc.com

PUMP SUPPLY
INCORPORATED



EBARA Horizontal Split Case Pump

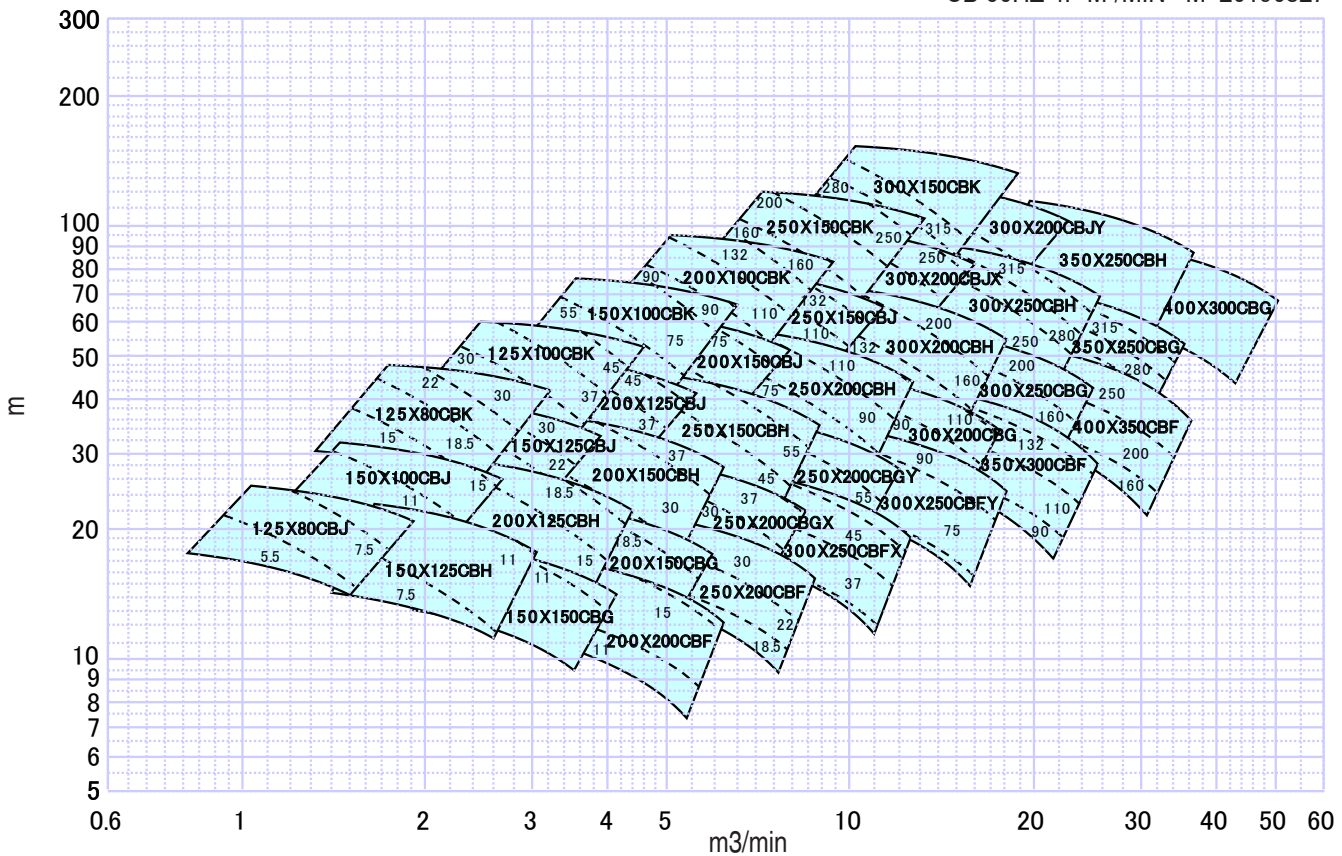
CB Series

Selection Chart m³/min · m - 4P



60Hz - 4P

CB 60HZ 4P M³/MIN · M 20190527



Note1: The value inside the broken lines are motor output(kW) in case of density 1.0kg/L and viscosity 1.0mPa · s.

Note2: The indicated motor output(kW) value includes the following safety margins;

- Up to 7.5kW : 15%
- 11kW and above: 10%



EBARA PUMPS AMERICAS CORPORATION
 www.pumpsebara.com
 (t) 803.327.5005 (f) 803.327.5097

15

rev. 07/20

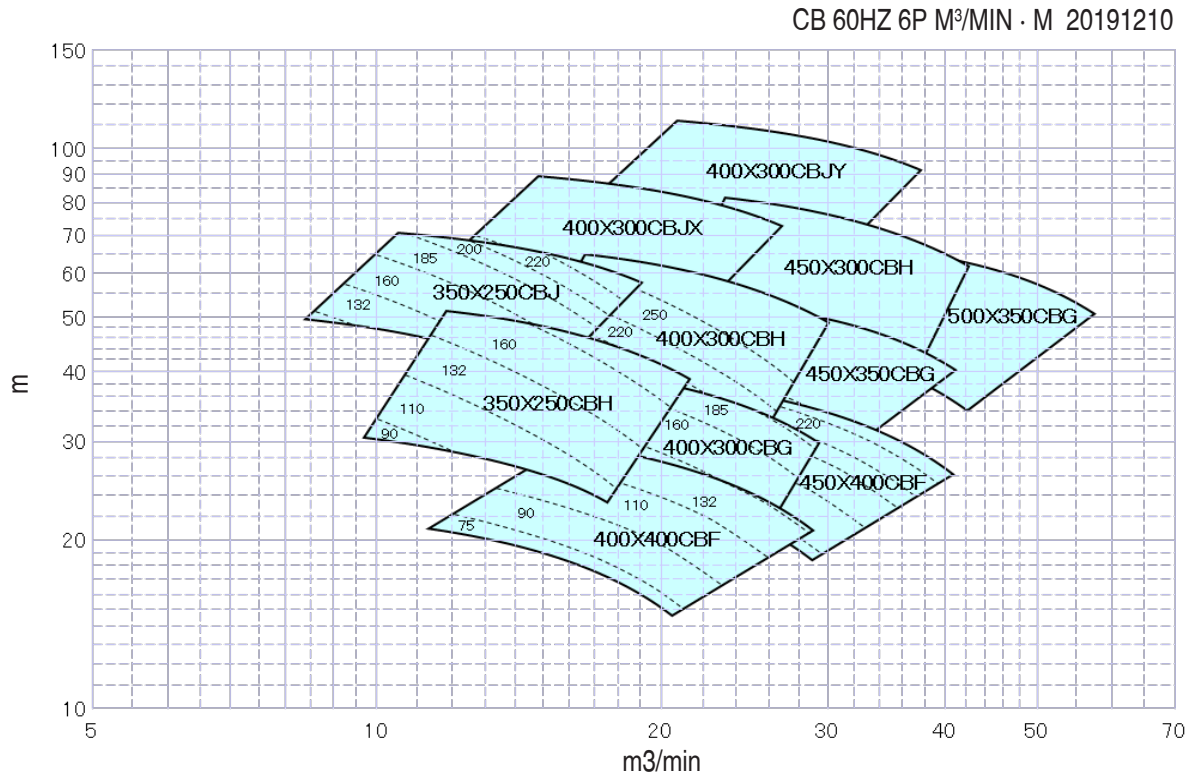
EBARA reserves the right to make changes without prior notice.

EBARA Horizontal Split Case Pump

CB Series

Selection Chart m³/min · m - 6P

60Hz - 6P



Note1: The value inside the broken lines are motor output(kW) in case of density 1.0kg/L and viscosity 1.0mPa · s.


Note2: The indicated motor output(kW) value includes the following safety margins;

- Up to 7.5kW : 15%
- 11kW and above: 10%

Illinois Location:
(847) 841-7867
860 Church Rd Elgin, IL 60120

Minnesota Location:
(651) 758-7867
330 Mill Bay South Suite :
Afton, MN 55001

PumpSupplyInc.com



PS

PUMP SUPPLY
INCORPORATED



EBARA PUMPS AMERICAS CORPORATION
www.pumpsebara.com
(t) 803.327.5005 (f) 803.327.5097

EBARA reserves the right to make changes without prior notice.