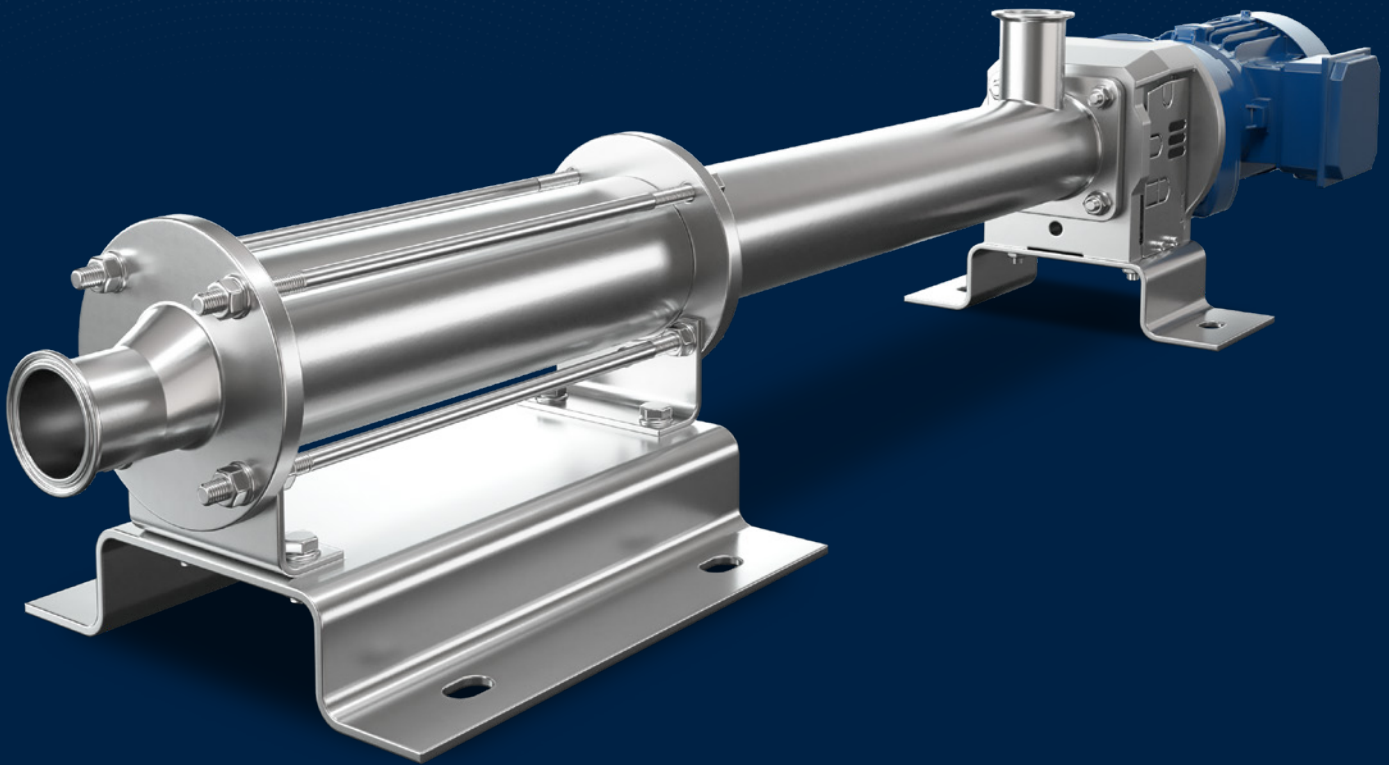


SEEPEX.

An Ingersoll Rand Business

ZERO PRODUCT CONTAMINATION BF RANGE



Illinois Location:

(847) 841-7867

860 Church Rd Elgin, IL 60123

BF

Minnesota Location:

(651) 758-7867

330 Mill Bay South Suite 1511 Afton, MN 55001

PumpSupplyInc.com



EMPOWERING E-FUTURE.

The battery industry faces tough challenges and demands. Pump failures due to leakage can create HSE risks in the production facility. Cleaning cycle failures and batch disposal of contaminated battery compounds create waste and increase costs. SEEPEX's years of experience with the battery industry and its specific requirements, led us to create a special product: the BF range.

Operational safety and the highest level of cleanliness for valuable dispersed raw materials were the driving forces behind the development of the SEEPEX BF range. Its robust design reduces the total cost of ownership and improves energy efficiency in virtually all battery applications, due to its no contamination and easy maintenance principles.



Contamination-free pumps are essential for smooth operation. Chemical resistance and chemically compatible materials are necessary to avoid contamination of expensive raw materials. The stainless steel design and flexible titanium shaft of the BF range ensure zero contamination and excellent product quality. The pump is optionally available with TA-Luft and ATEX certification.

Continuity and high repeatability are critical to the formulation process. The SEEPEX PC pump operating principles, such as minimal pulsation, ensure the highest dosing accuracy. In the coating process, the BF pump has a direct impact on product quality by minimizing variations in coating thickness. It also enables accurate slurry recipes.



Illinois Location:

(847) 841-7867

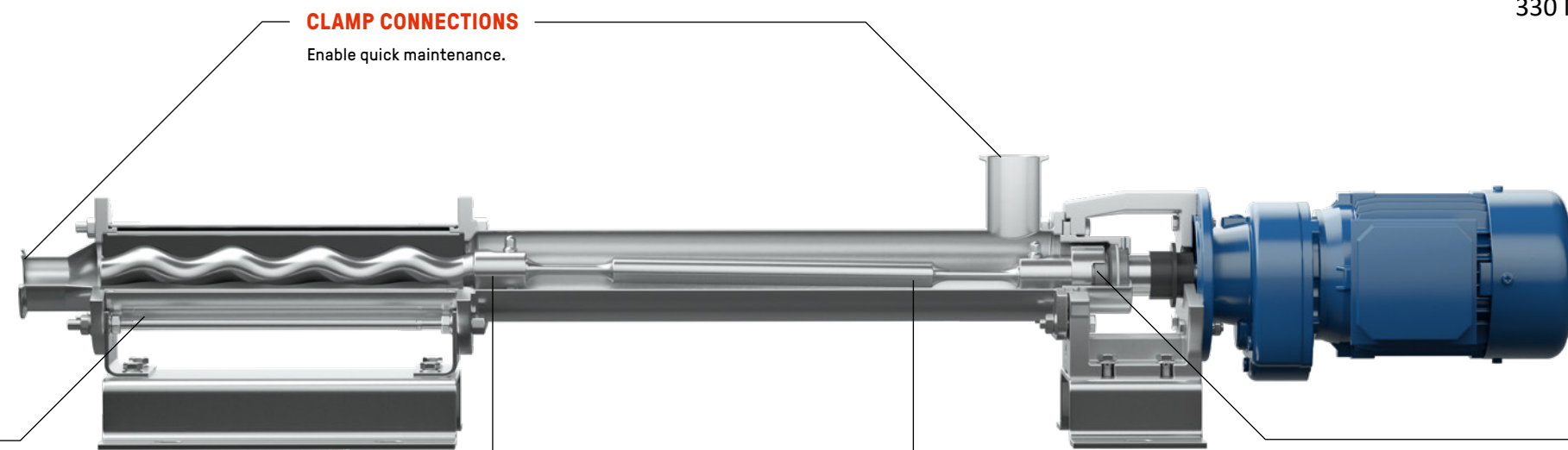
860 Church Rd Elgin, IL 60123

Minnesota Location:

(651) 758-7867

330 Mill Bay South Suite 1511 Afton, MN 55001

PumpSupplyInc.com



CLAMP CONNECTIONS

Enable quick maintenance.

CASING

All inner and outer parts in stainless steel.

ROTARY UNIT

Separable unit allows exchange of wearing parts.

FLEX SHAFT

Prevents contamination of medium.

SEALS

Various selection for different battery media available: mechanical seal, packing, flushed solutions.

WHY A SEEPEX BF PUMP?



ZERO CONTAMINATION

Smooth operation, no corrosion and zero product contamination due to flexible titanium shaft, custom seals and stainless-steel construction.



EASY TO MAINTAIN

Clamp connections and separable rotary unit enable exchange of wearing parts. Overall, the easy maintenance design reduces downtime and TCO.



HIGH ACCURACY

Minimal pulsation ensures the highest dosing accuracy, resulting in better coating and more accurate slurry preparation recipes.



CUSTOMIZATION

Select from a block or free bare shaft design. A wide range of seals are available for various battery compounds. It is flexible to meet customer-specific drive requirements. All these tailor-made options include a quick installation.

Illinois Location:

(847) 841-7867

860 Church Rd Elgin, IL 60123

Minnesota Location:

(651) 758-7867

330 Mill Bay South Suite 1511 Afton, MN 55001

PumpSupplyInc.com



SEEPEX.

An Ingersoll Rand Business

APPLICATIONS

The BF range pump is used for the transfer, production and coating of battery compounds in the automotive, electronics and semiconductor industries.

Overcome technical risks with the contamination-free principle of the BF range for your battery applications. Bring your Gigafactory to life: with SEEPEX, you have a reliable partner that can supply high volumes of pumps for battery applications with the best local technical support. Grow with us and equip the Gigafactories of the future.

BENEFITS

- No contamination from oil or grease
- Easy to maintain
- Clamp connections for quick installation/removal reduce maintenance time
- Dismountable rotating unit allows individual replacement
- Robust design due to flexible titanium shaft
- Easily cleaned with common solvents and de-ionized water

KEY FACTS

- Conveying capacity:
0.06 - 30 m³/h (0.26 - 132 USGPM)
- Pressure:
up to 12 bar (175 psi)

SEEPEX GmbH

www.seepex.com



Illinois Location:

(847) 841-7867

860 Church Rd Elgin, IL 60123

Minnesota Location:

(651) 758-7867

330 Mill Bay South Suite 1511 Afton, MN 55001

PumpSupplyInc.com