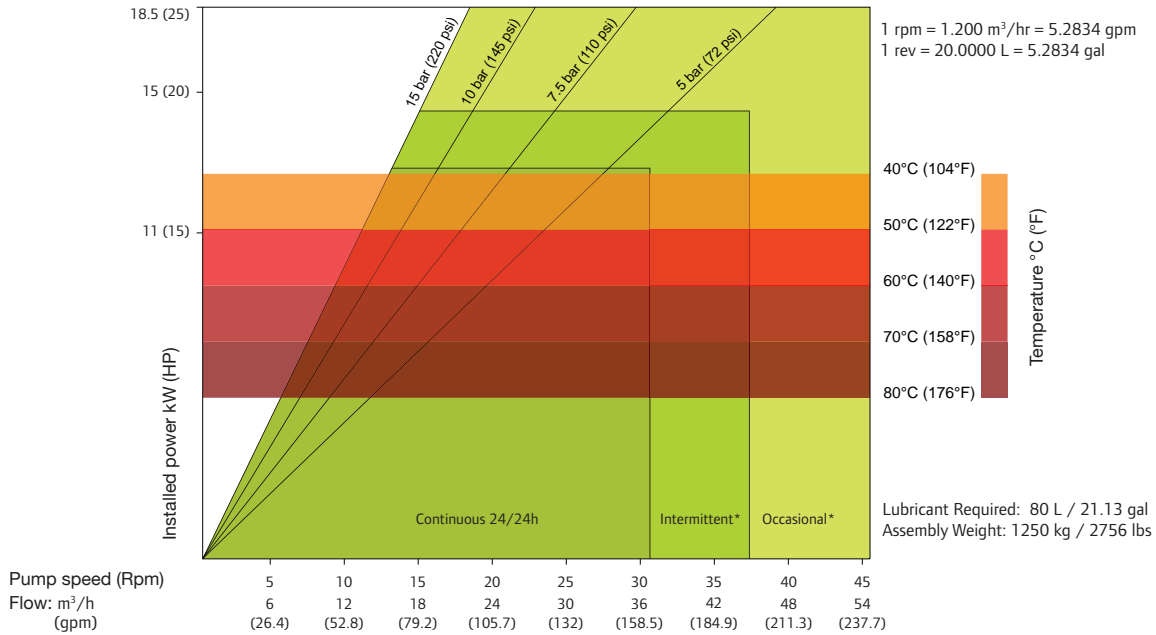




ALH100

Data Sheet



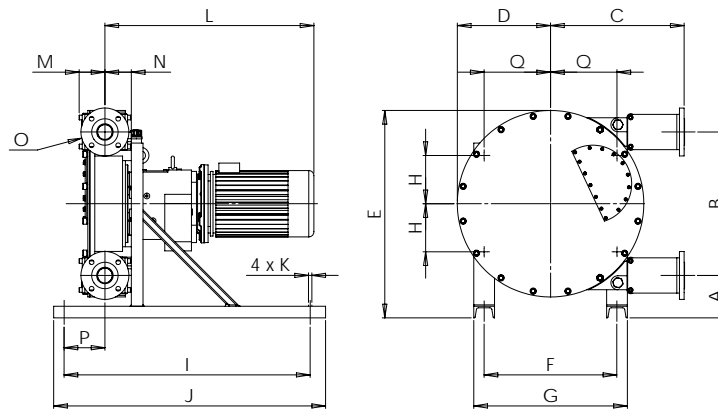
*Intermittent use : minimum one hour stop after 2 hours run / *Occasional use : maximum one hour a day

SHOE SHIMMING TABLE - ALH100		
Pressure bar (psi)	Speed - Rpm	Number of shims* - thickness 0.5 mm (0.019 in)
$\Delta P \leq 5$ (72.5)	0 to 15	0
	15 to 50	0
5 (72.5) $\leq \Delta P \leq 7.5$ (108.75)	0 to 15	2
	15 to 32.5	1
7.5 (108.75) $\leq \Delta P \leq 10$ (145)	0 to 15	3
	15 to 25	2
10 (145) $\leq \Delta P \leq 15$ (217.5)	0 to 15	4
	15 to 20	3

*Remove one shim if temperature exceeds 60° Celsius (140° Fahrenheit)

DIMENSIONS

mm (Inch)



TYPE	A	B	C	D	E	F	G	H	I	J	K	L	M	N	O	P	Q
ALH100	300 (11.8)	1040 (40.9)	911 (35.9)	698 (27.5)	1516 (59.7)	820 (32.3)	960 (37.8)	387 (15.2)	1900 (74.8)	2000 (78.7)	4xø27 (4xø1.0)	-	147 (5.8)	131 (5.1)	DN100 PN16 ANSI 4 in / 150#	361 (14.2)	387 (15.2)