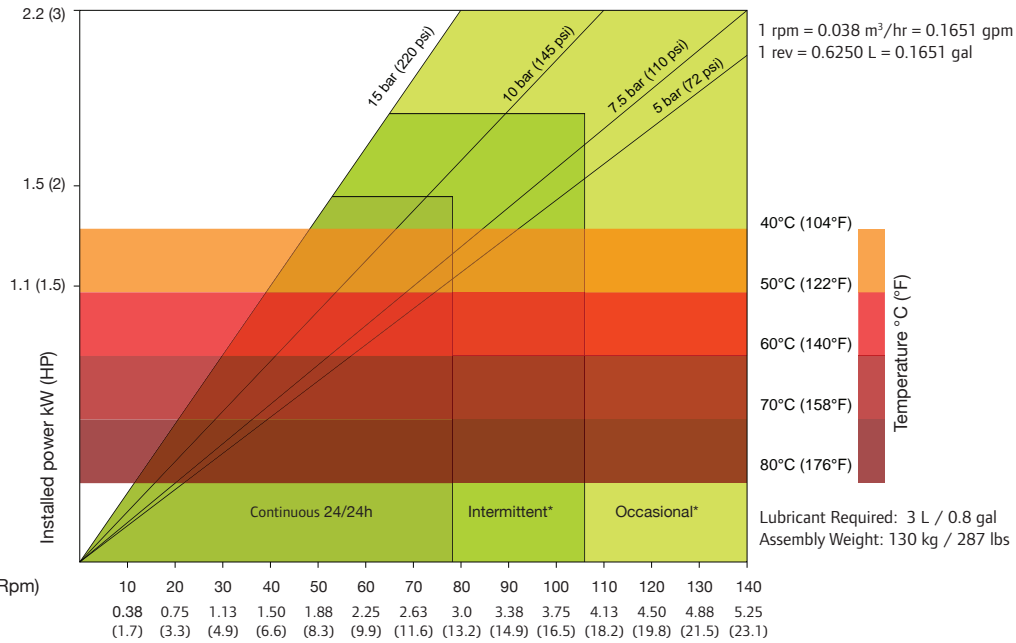




ALH32

Data Sheet



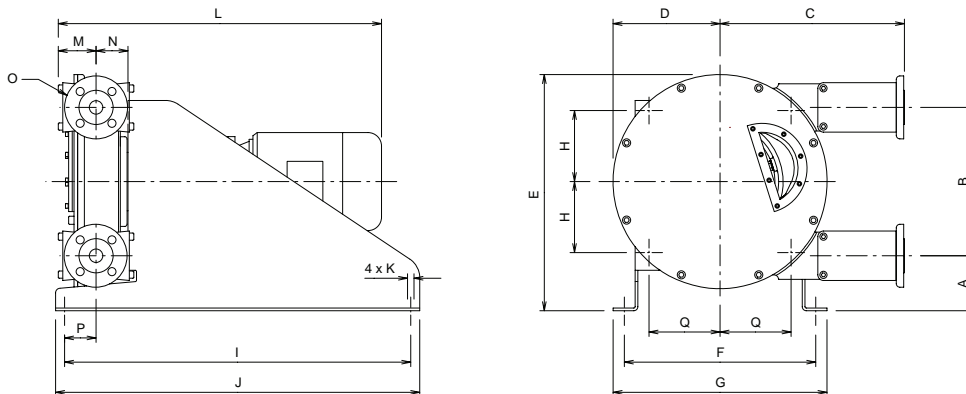
*Intermittent use : minimum one hour stop after 2 hours run / *Occasional use : maximum one hour a day

SHOE SHIMMING TABLE - ALH32		
Pressure bar (psi)	Speed - Rpm	Number of shims* - thickness 0.5 mm (0.019 in)
$\Delta P \leq 5$ (72.5)	0 to 45	0
	45 to 140	0
5 (72.5) $\leq \Delta P \leq 7.5$ (108.75)	0 to 45	2
	45 to 140	1
7.5 (108.75) $\leq \Delta P \leq 10$ (145)	0 to 45	3
	45 to 110	2
10 (145) $\leq \Delta P \leq 15$ (217.5)	0 to 45	4
	45 to 80	3

*Remove one shim if temperature exceeds 60° Celsius (140° Fahrenheit)

DIMENSIONS

mm (Inch)



TYPE	A	B	C	D	E	F	G	H	I	J	K	L	M	N	O	P	Q
ALH32	121 (4.8)	330 (13.0)	438 (17.2)	237 (9.3)	524 (20.6)	424 (16.7)	474 (18.7)	158 (6.2)	770 (30.3)	800 (31.5)	4xø13 (4xø0.5)	-	85 (3.3)	75 (2.9)	DN32 PN16 ANSI 1.25 in / 150#	91.5 (3.6)	158 (6.2)