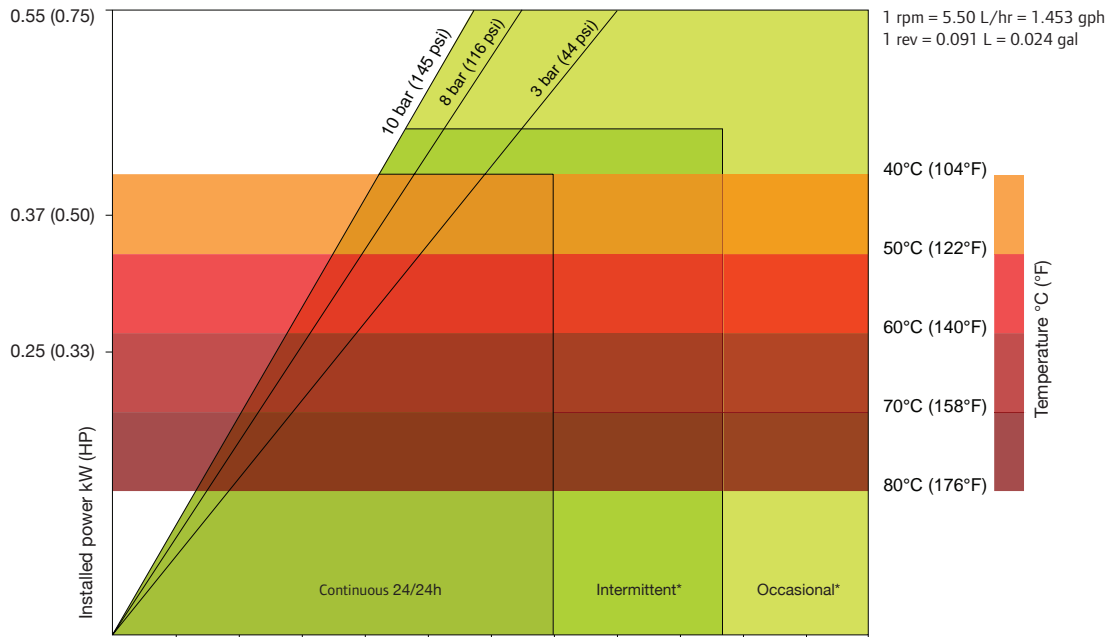




ALH20

3 Lobes / Data Sheet



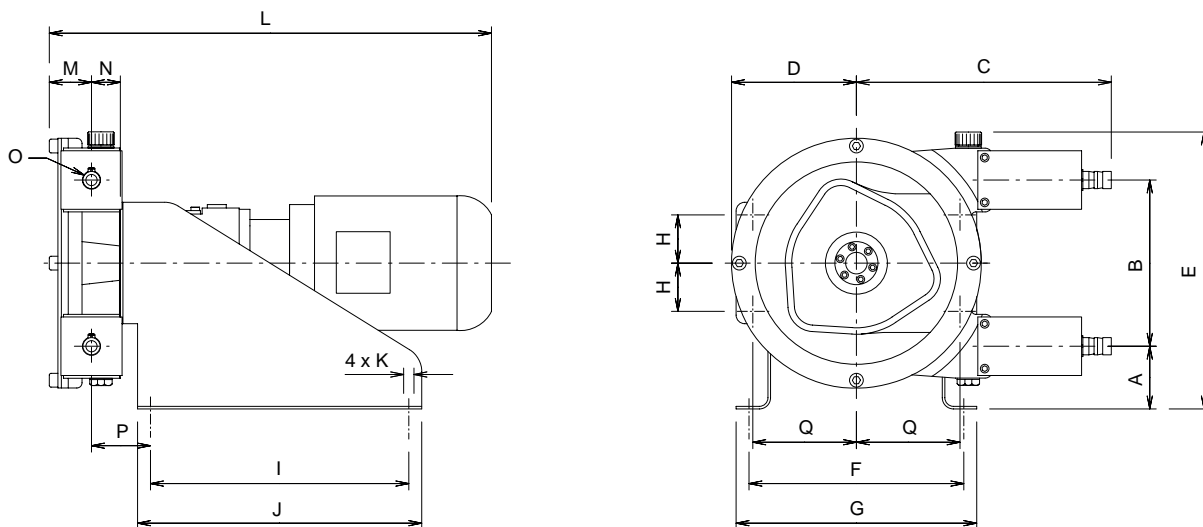
Pump speed (Rpm)	10	20	30	40	50	60	70	80	90	100	110	120
Flow: lph	55	110	165	220	275	330	385	440	495	550	605	670
(gph)	(14.5)	(29.1)	(43.6)	(58.1)	(72.7)	(87.2)	(101.7)	(116.2)	(130.8)	(145.3)	(159.8)	(177)

Lubricant Required: 0.55 L / 0.14 gal
Assembly Weight: 35 kg / 77 lbs

*Intermittent use : minimum one hour stop after 2 hours run / *Occasional use : maximum one hour a day

DIMENSIONS

mm (Inch)



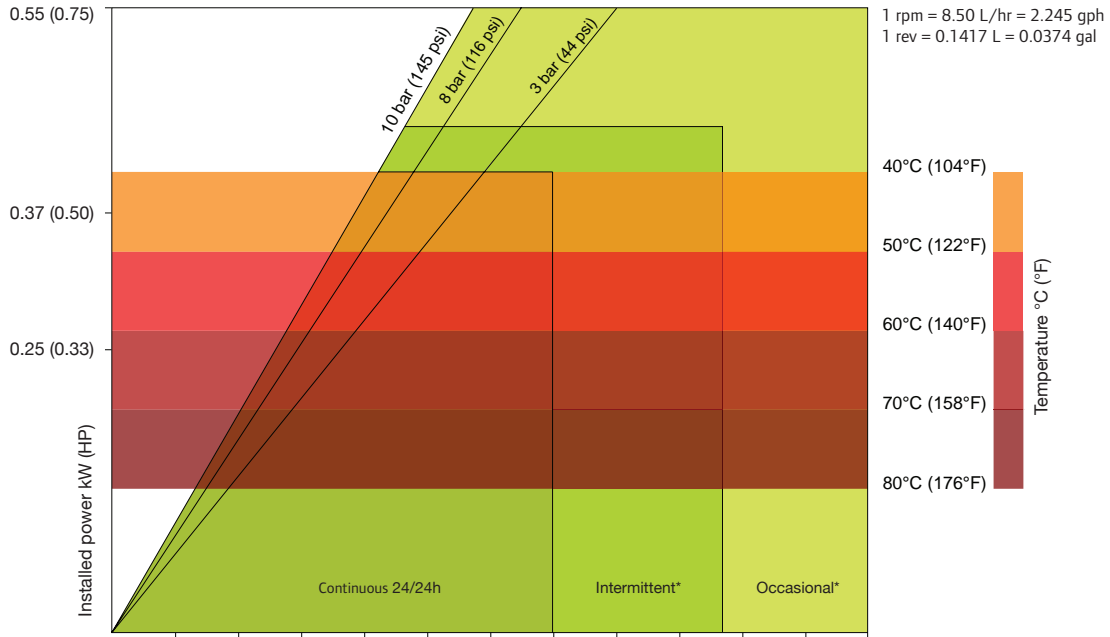
TYPE	A	B	C	D	E	F	G	H	I	J	K	L	M	N	∅O	P	Q
ALH20	73 (2.9)	193 (7.6)	297 (11.7)	145 (5.7)	325 (12.8)	249 (9.8)	280 (11.0)	52 (2.0)	300 (11.8)	330 (13.0)	4x∅13 (4x∅0.5)	-	46 (1.8)	35.5 (1.4)	25* (1.0)	70.5 (2.8)	124.8 (4.9)

* Hose barb



ALH20

Data Sheet



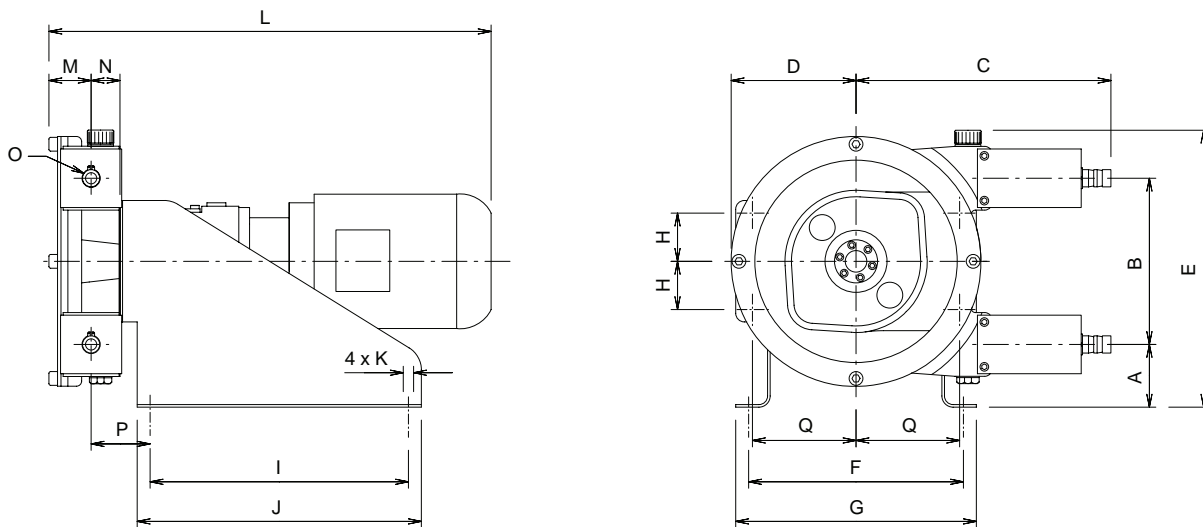
Pump speed (Rpm)	10	20	30	40	50	60	70	80	90	100	110	120
Flow: lph (gph)	85 (22.5)	170 (44.9)	255 (67.4)	340 (89.8)	425 (112.3)	510 (134.7)	595 (157.2)	680 (179.6)	765 (202.1)	850 (224.5)	935 (247)	1020 (269.5)

Lubricant Required: 0.55 L / 0.14 gal
Assembly Weight: 35 kg / 77 lbs

*Intermittent use : minimum one hour stop after 2 hours run / *Occasional use : maximum one hour a day

DIMENSIONS

mm (Inch)



TYPE	A	B	C	D	E	F	G	H	I	J	K	L	M	N	ØO	P	Q
ALH20	73 (2.9)	193 (7.6)	297 (11.7)	145 (5.7)	325 (12.8)	249 (9.8)	280 (11.0)	52 (2.0)	300 (11.8)	330 (13.0)	4xø13 (4xø0.5)	-	46 (1.8)	35.5 (1.4)	25* (1.0)	70.5 (2.8)	124.8 (4.9)

* Hose barb