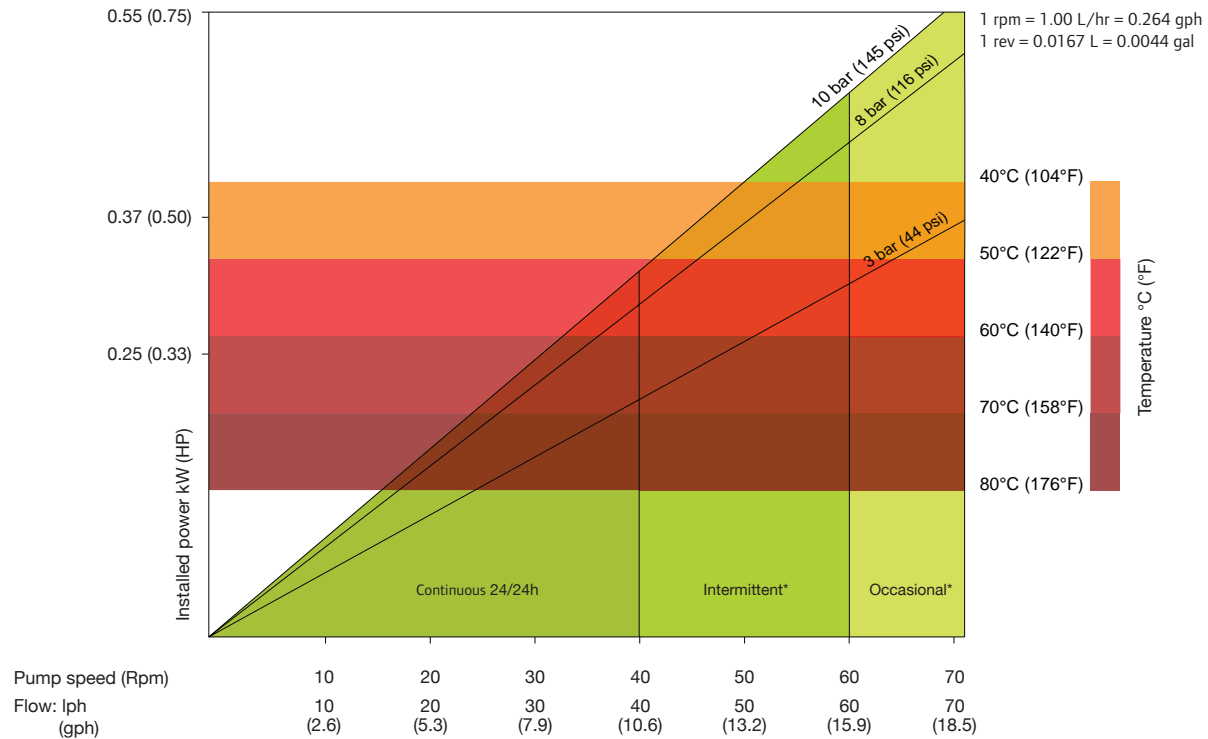




ALH10

3 Lobes / Data Sheet

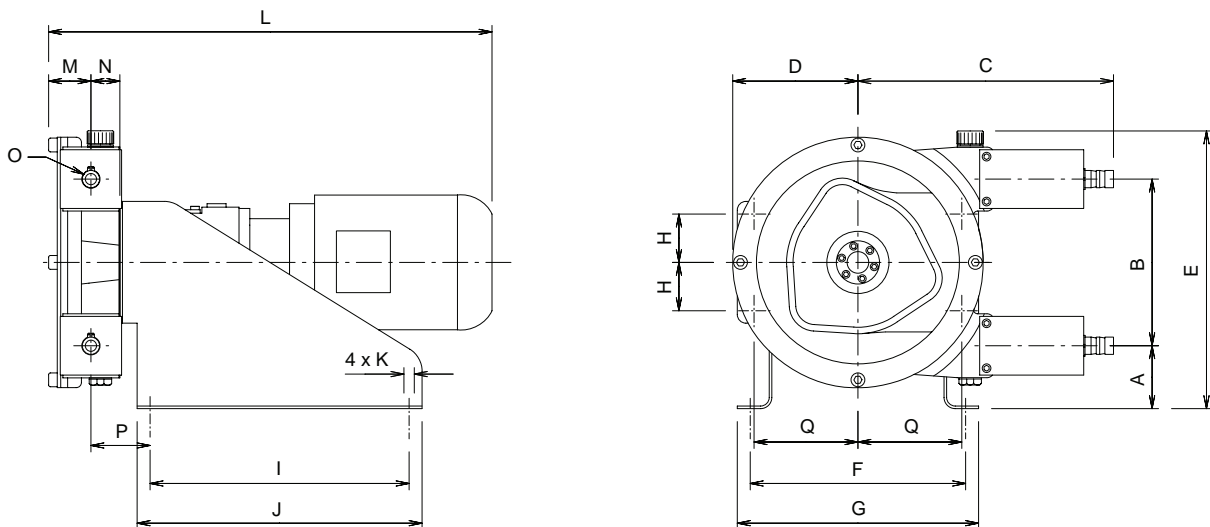


Lubricant Required: 0.2 L / 0.05 gal
Assembly Weight: 25 kg / 55 lbs

*Intermittent use : minimum one hour stop after 2 hours run / *Occasional use : maximum one hour a day

DIMENSIONS

mm (Inch)



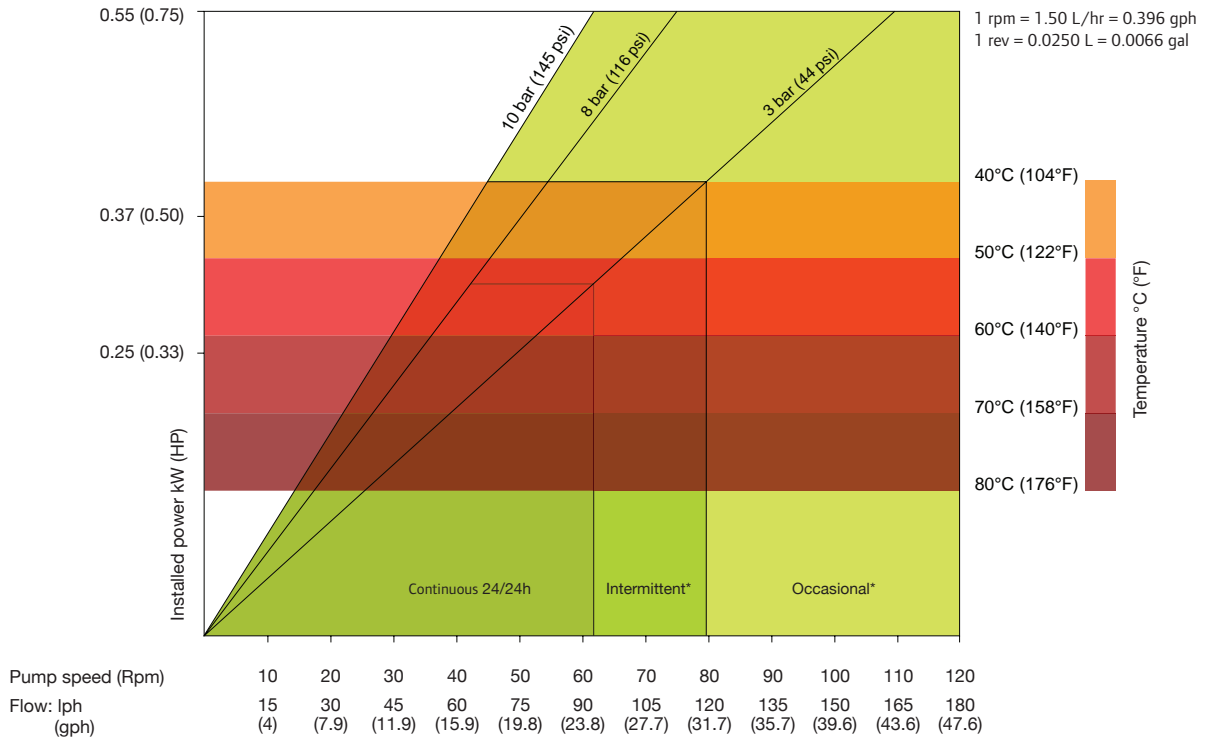
TYPE	A	B	C	D	E	F	G	H	I	J	K	L	M	N	ØO	P	Q
ALH10	104 (4.0)	115 (4.5)	226 (8.9)	95 (3.7)	271 (10.7)	220 (8.7)	240 (9.4)	33.5 (1.3)	260 (10.2)	280 (11.0)	4xø9 (4xø0.35)	-	42.5 (1.7)	36.5 (1.4)	16* (0.6)	66 (2.6)	81.3 (3.2)

* Hose barb



ALH10

Data Sheet

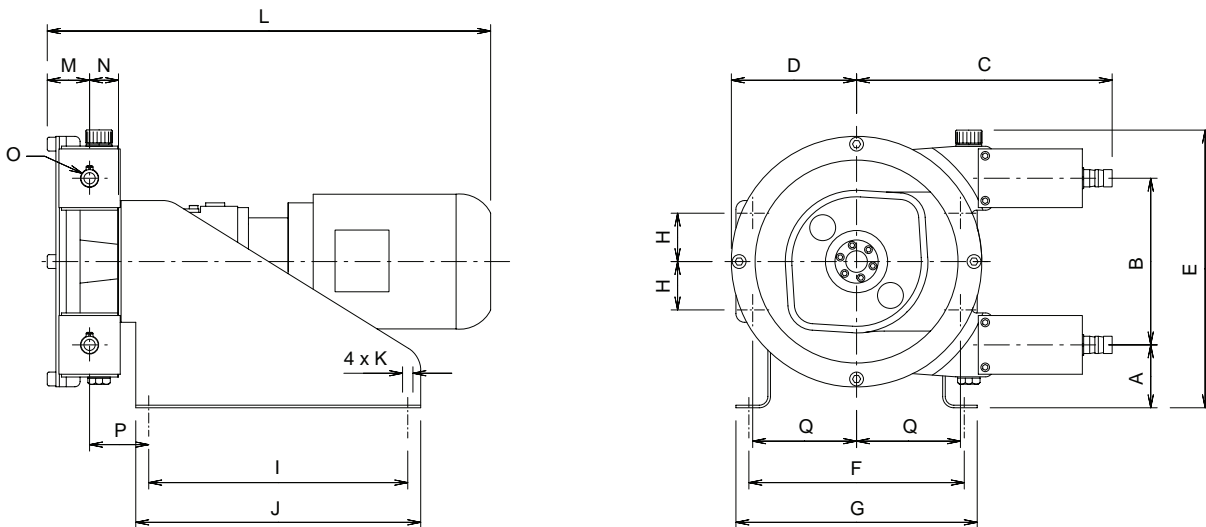


Lubricant Required: 0.2 L / 0.05 gal
Assembly Weight: 25 kg / 55 lbs

*Intermittent use : minimum one hour stop after 2 hours run / *Occasional use : maximum one hour a day

DIMENSIONS

mm (Inch)



TYPE	A	B	C	D	E	F	G	H	I	J	K	L	M	N	ØO	P	Q
ALH10	104 (4.0)	115 (4.5)	226 (8.9)	95 (3.7)	271 (10.7)	220 (8.7)	240 (9.4)	33.5 (1.3)	260 (10.2)	280 (11.0)	4xø9 (4xø0.35)	-	42.5 (1.7)	36.5 (1.4)	16* (0.6)	66 (2.6)	81.3 (3.2)

* Hose barb