



# HHLF "HIGH OUTPUT"

## 2"x2" Self-Priming Centrifugal Pump

MP Pumps has extended the performance range of the current HHLF series by designing a larger (7.5" diameter) impeller and matching volute. The new impeller and volute will fit into the existing HHLF "HR" housing. An o-ring has also been added to the discharge port for increased sealing at the higher pressures. Total dynamic head (TDH) has increased from 190' to 250'.

The HHLF series is available close coupled to NEMA "C" Face electric motors or as PumPAKs®. The engine drive models are capable of coupling to both gasoline and diesel engines with 1" keyed drive shafts. Pedestal mounted pumps are also available.

The volute and impeller are removable and easily replaced.



### SPECIFICATIONS:

- Suction and Discharge . . . 2" x 2" NPT
- Housing . . . . . Cast Iron Class 30 or Silicon Bronze CA 875
- Flow . . . . . Flows to 150 GPM
- Head Feet . . . . . Up to 250 TDH
- Impeller . . . . . Silicon Bronze CA 875
- Drive Options . . . . . Electric Motor Drive
  - Engine Drive
  - Hydraulic Drive
- Seal . . . . . Carbon/Ceramic/Viton-Type 21
  - Other Seals Available

#### Application:

- Agricultural
- Industrial
- Marine

#### Adaptor:

- Cast Iron Class 30 or Silicon Bronze CA 875

#### Drive Sleeve:

- 304 Stainless Steel

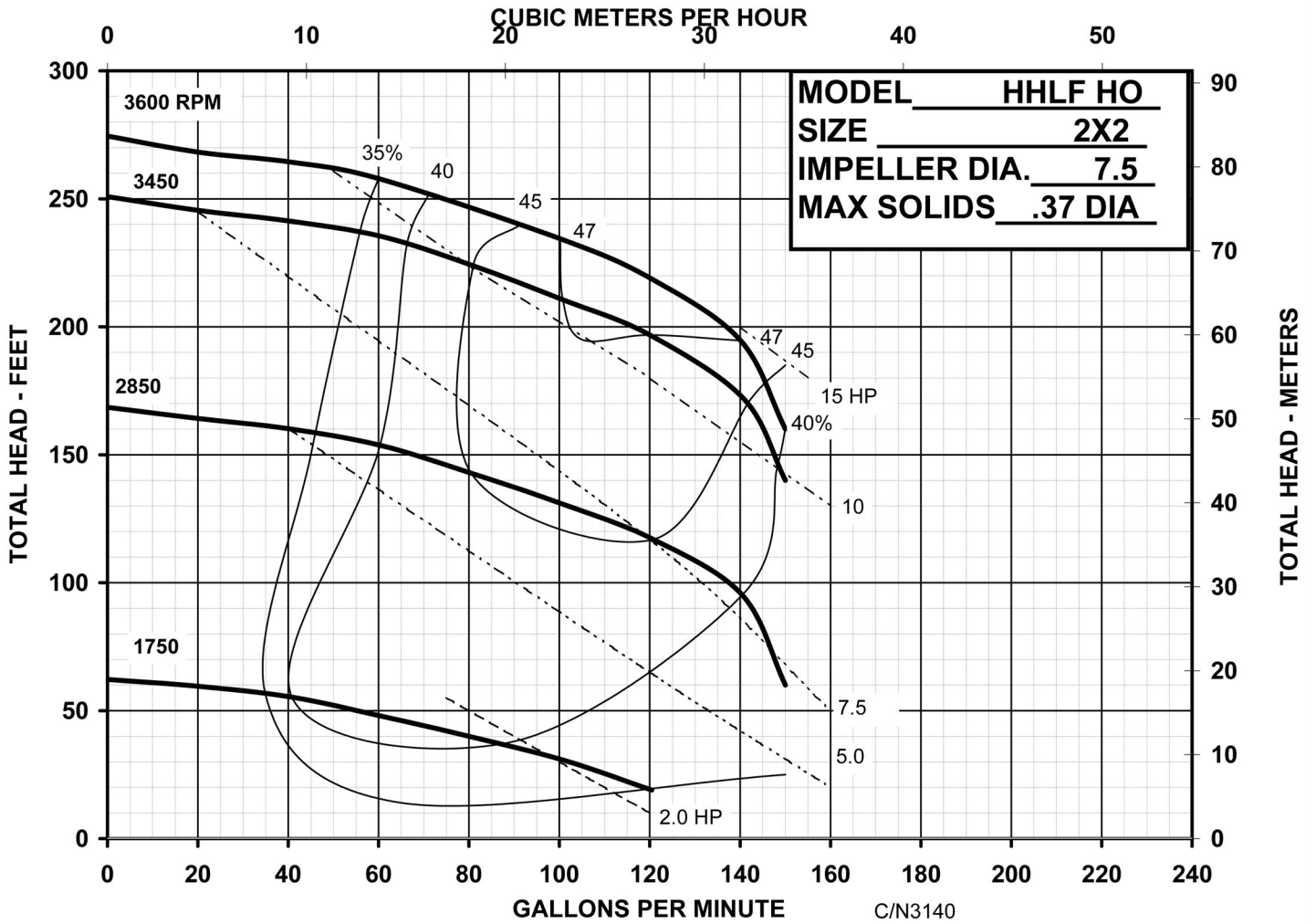
#### Features:

- 46 CFR Compliant
- ABS Type Approved

#### Mounting Options:

- Close Coupled to NEMA "C" Face Motor Frame
- Pedestal
- PumPak®

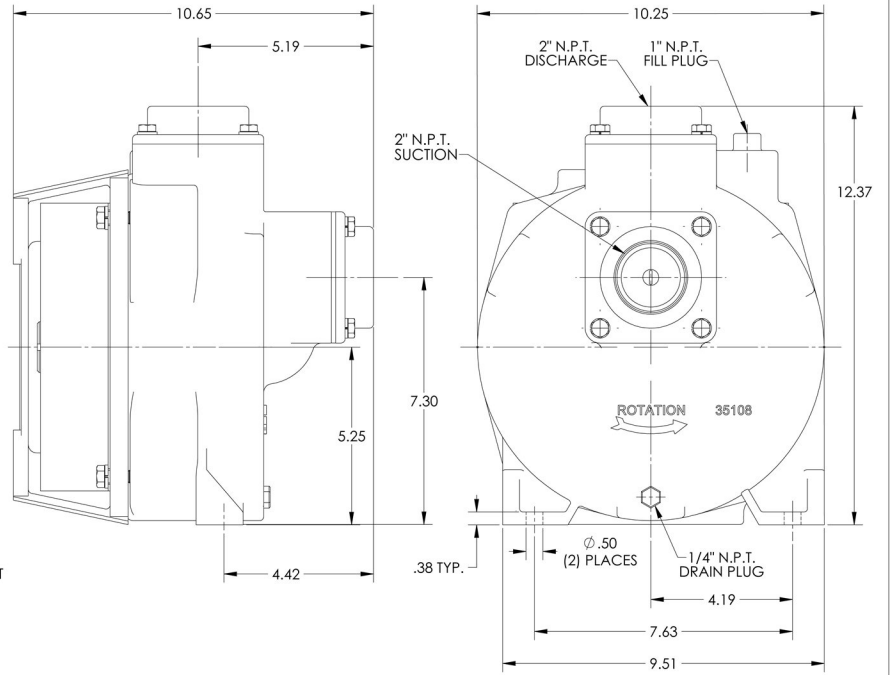
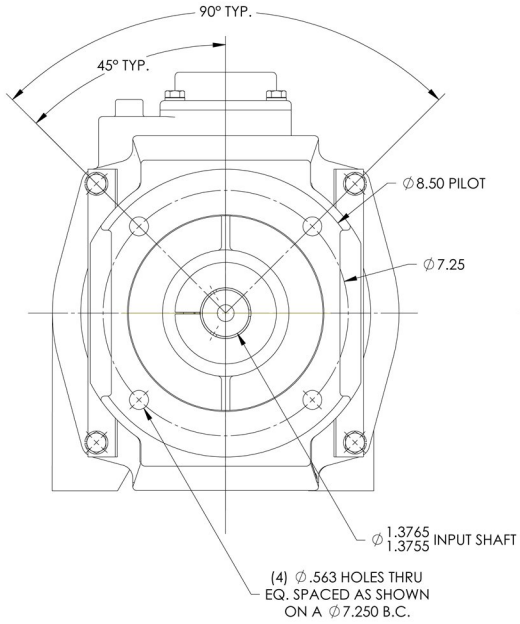
# HHLF "HIGH OUTPUT"



34800 BENNETT • FRASER, MI 48026-1686  
 (586) 293-8240 • FAX (586) 293-8469  
 (800) 563-8006 • www.mppumps.com

# HHLF "HIGH OUTPUT"

**38093**



WITH CLOSED COUPLED MOTOR 215TC MOUNTINGS MAX 15 HP

NOTE: THIS DRAWING OR PRINT, PROPERTY OF MPPUMPS, INC. CONTAINS PROPRIETARY AND CONFIDENTIAL INFORMATION. IT SHALL BE USED ONLY AS APPROVED BY MPPUMPS AND SHALL NOT BE GIVEN TO OTHERS OR COPIED WITHOUT THE WRITTEN CONSENT OF MPPUMPS. RETURN TO MPPUMPS PROMPTLY WHEN REQUESTED.

G						UNLESS OTHERWISE NOTED THIRD ANGLE PROJECTION	<b>MP PUMPS, INC.</b>										
F							FRASER, MICHIGAN 48026, U.S.A.										
E						DO NOT SCALE	MATERIAL	CAST IRON WITH BRONZE IMPELLER AND VCLUTE									
D							DRAWN BY	J.A.M.	DATE COMP.	12-22-11	APPROV.	D.D.	SCALE	FULL	MADE FOR		MADE FROM
C						NAME	HHLF2HO PPK C: 7.5IMP 215TC										
B							DRAWING NO.		<b>38093</b>								
A																	
REV	DESCRIPTION	DRAWN	DATE	EN.													



34800 BENNETT • FRASER, MI 48026-1686  
(586) 293-8240 • FAX (586) 293-8469  
(800) 563-8006 • www.mppumps.com