



FRX 50

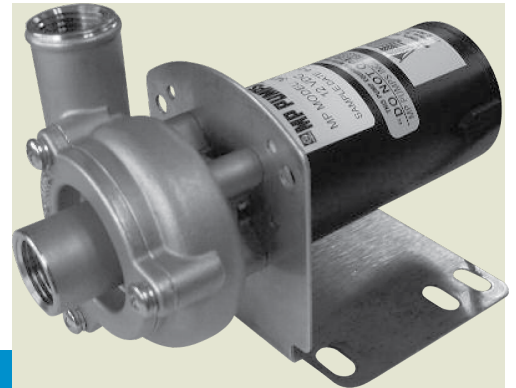
1/2" x 1/2" End Suction Centrifugal Pump

The FRX 50 is a high performance 316 stainless steel circulator pump making it ideal for marine, commercial, and industrial transfer of chemicals or potable water.

All pumping parts are 316 stainless steel for superior corrosion resistance when pumping chemical compounds. A carbon / ceramic / Viton bellows shaft seal is standard. The FRX 50 series is available with 1/2" NPT and 1" hose barb port configurations. Marine ignition protected motors available.

SPECIFICATIONS:

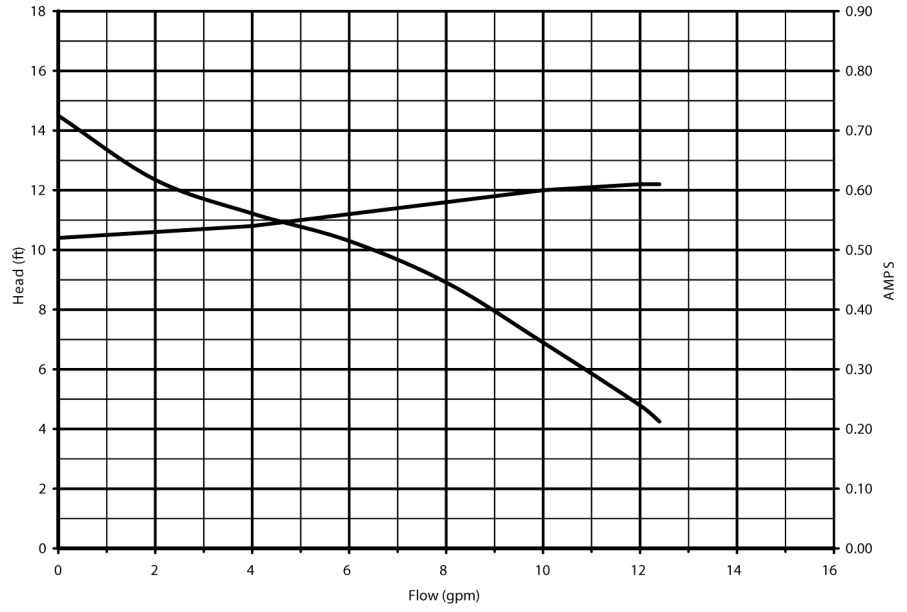
Materials of Construction	316 stainless steel
Flow	Up to 12 GPM
Head Feet	Up to 16'
Impeller	316 stainless steel, semi-open
Drive Options	Close coupled 115V AC Close coupled 12V DC Close coupled 230V AC Close coupled 24V DC
Seal	Carbon / ceramic / Viton bellows 150 PSI Special seals upon request Standard - carbon / ceramic / Viton



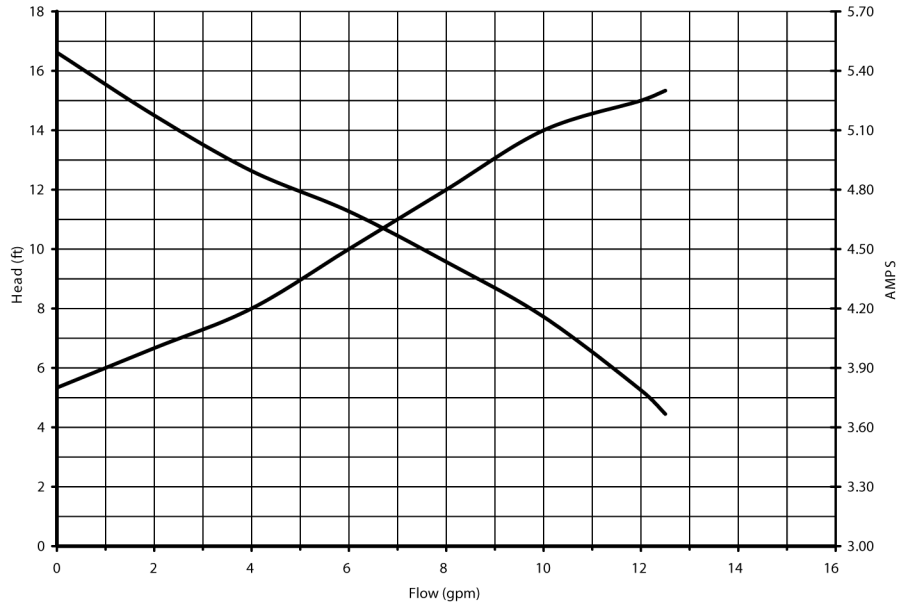
Application:

- Agricultural
- Commercial
- Industrial
- Marine
- OEM
- Transportation

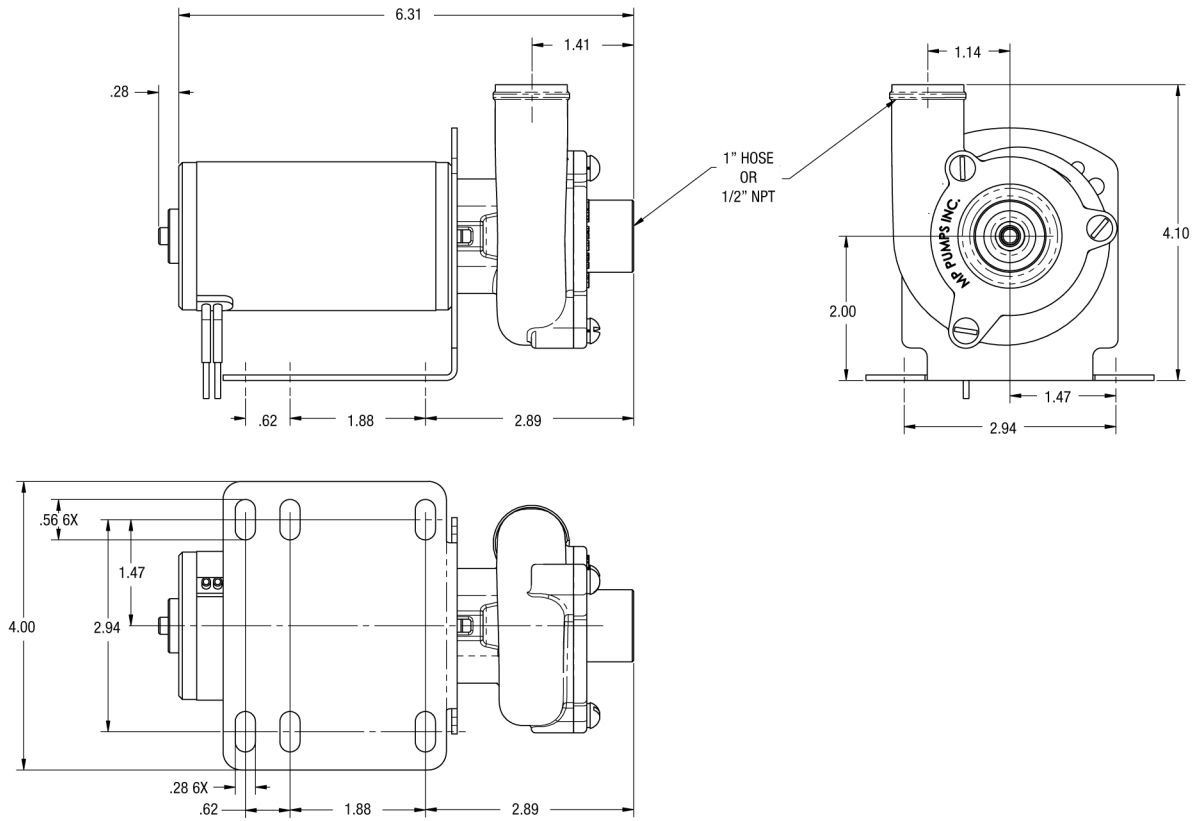
115V AC MOTOR



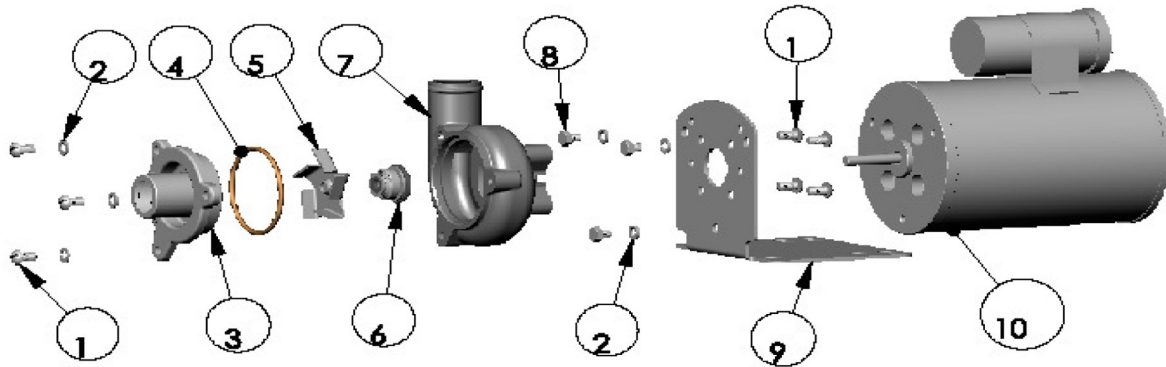
12V DC MOTOR FOR 24 V DC MOTOR DIVIDE AMPS BY TWO



FRX 50



34800 BENNETT • FRASER, MI 48026-1686
(586) 293-8240 • FAX (586) 293-8469
(800) 563-8006 • www.mppumps.com

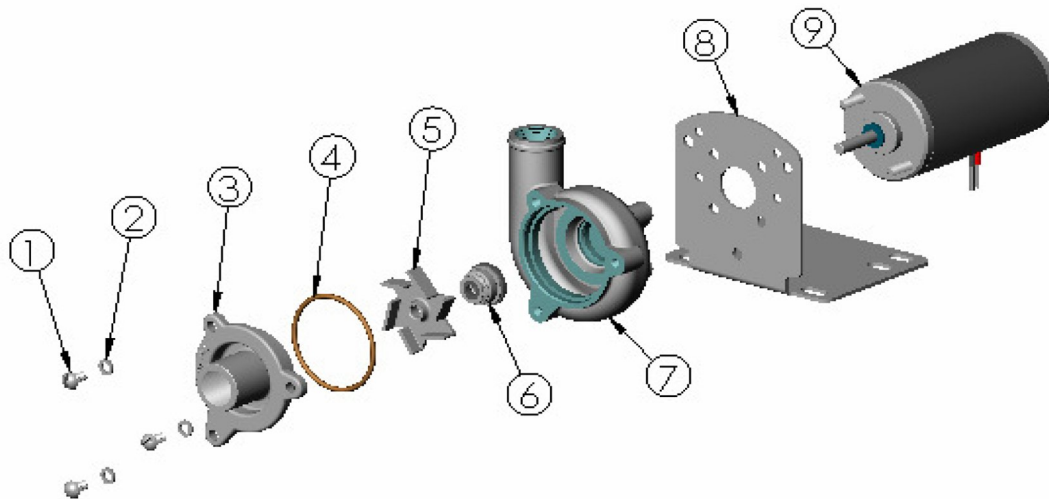


ITEM NO.	PART NO.	DESCRIPTION	QTY.
1	34836	SCREW - S.S. - 10-24 X .5	7
2	21621	LOCKWASHER - S.S. - #10 X 3/64	6
*	3	COVER S.S. - MACH.	1
*	4	O-RING VITON - AS 568-133	1
*	5	IMPELLER - 316 S.S.	1
*	6	MECH SEAL- VITON	1
*	7	HOUSING S.S.- MACH.	1
	8	HEX HEAD SCREW S.S.- #10-24 X .25	3
	9	MOTOR BASE - 316 S.S.	1
	10	ELEC. MTR. - 1/10 H.P. 115 VAC	1

*- RECOMMENDED REPLACEMENT PARTS



34800 BENNETT • FRASER, MI 48026-1686
 (586) 293-8240 • FAX (586) 293-8469
 (800) 563-8006 • www.mppumps.com



ITEM NO.	PART NO.	DESCRIPTION	QTY.
1	34836	SCREW S.S. - #10-24 X .375	3
2	21621	LOCKWASHER S.S.- #10 X 3/64	3
*	3	34728 COVER S.S. - MACH.	1
*	4	33472 O-RING VITON - AS 568-133	1
*	5	34525 IMPELLER - 316 S.S.	1
*	6	34527 MECH SEAL- VITON	1
*	7	34726 HOUSING S.S. - MACH.	1
	8	34736 MOTOR BASE - 316 S.S.	1
		34733 ELECTRIC MOTOR- 12VDC	1
	9	34992 ELECTRIC MOTOR- 24VDC	1

*- RECOMMENDED REPLACEMENT PARTS



34800 BENNETT • FRASER, MI 48026-1686
 (586) 293-8240 • FAX (586) 293-8469
 (800) 563-8006 • www.mppumps.com