

# 3/4" & 1" Self-Priming Utility Pumps

## Model 2851-96

- **Aluminum Construction**
- **Viton® Mechanical Seal and O-Ring**
- **1" NPT Suction and Discharge Ports**
- **1/3 HP ODP Motor with 8 Ft. 115 VAC Power Cord**
- **Two Garden Hose Adapters and Carry Handle Included**
- **Self-Cleaning Impeller, Semi-Open Impeller**
- **Maximum Suction Lift 15 Ft. Without Foot Valve**

Model 2851-96  
Aluminum

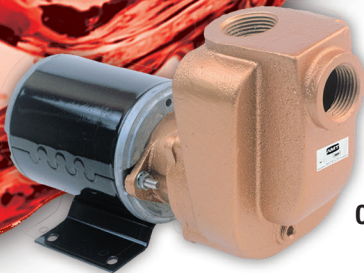
AMT Model 2851-96 is designed for liquid transfer and general dewatering such as: emergency water supply, storm drains, pool/spa tub drainage and select chemical transfer up to 1.6 specific gravity that are compatible with all pump components.

## Model 4292-96

- **Cast Aluminum Construction**
- **Buna-N Mechanical Seal and O-Ring**
- **1" NPT Suction and Discharge Ports**
- **Two Garden Hose Adapters and Carry Handle Included**
- **1/2 HP NEMA 56J Open Drip Proof (ODP) Motor with 8 Ft. 115 VAC Cord**
- **Maximum Suction Lift 6 Ft. Without Foot Valve**

Model 4292-96  
Cast Aluminum

AMT Model 4292-96 is designed to be portable and handle many water transfer services including: storm drainage, emergency water supply, wash down and pool/spa tub draining. Self-cleaning, semi-open impeller handles solids up to 1/8" diameter.

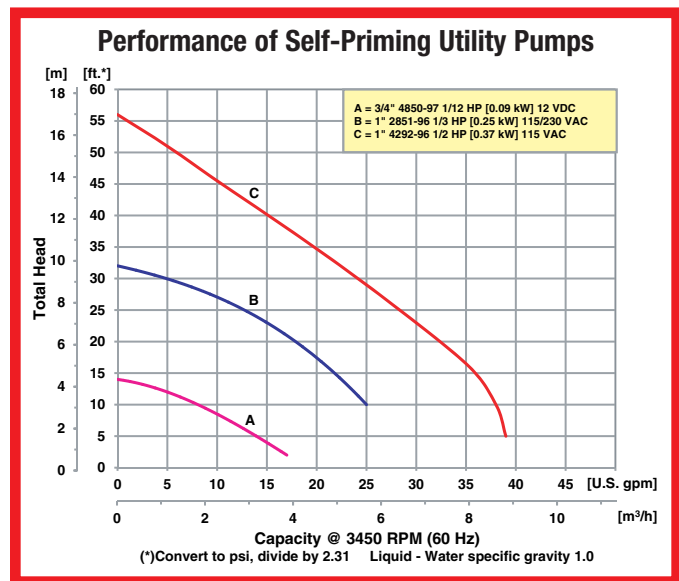


Model 4851-97  
Cast Bronze

## Model 4851-97

- **Cast Bronze Construction**
- **Buna-N Mechanical Seal and O-Ring**
- **3/4" NPT Suction and Discharge Ports**
- **1/8 HP, 12 Volt DC, 3700 RPM Motor**
- **Maximum Suction Lift 4 Ft.**

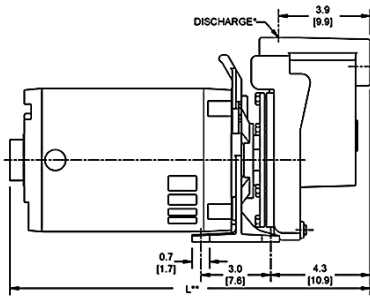
The AMT Model 4851-97 Self-priming Bronze Centrifugal pump is compact and designed for a wide range of dewatering/recirculating applications including: marine, salt water aquaculture and live well tanks. Pumps are designed to handle liquids with solids contents or dissolved solids and debris.



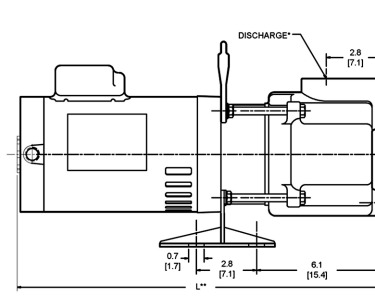
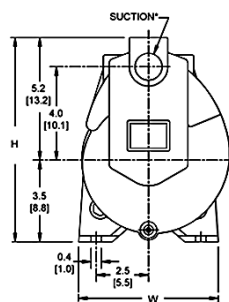


# Self-Priming Utility Pumps

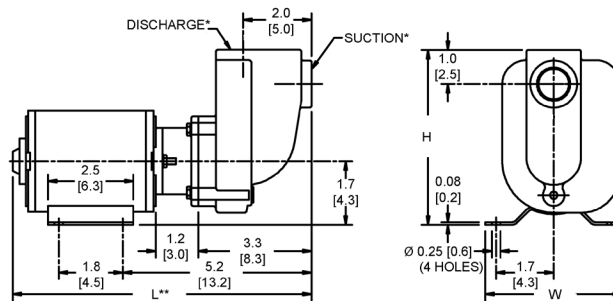
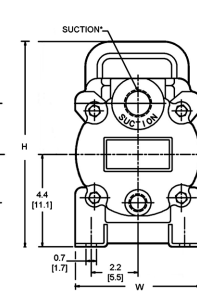
## Pump Dimensional & Specification Data



**Model 4292-96**



**Model 2851-96**



**Model 4851-97**

Model	Curve	HP	PH	ENC	Voltage @ 60 Hz	Full Load Amps	SUC*	DIS*	L**	W	H	Ship Wt. (Lbs.)
4851-97	A	1/8	N/A	TENV	12.8V DC	11	3/4	3/4	8.7 [22.0]	4.0 [10.1]	5.1 [12.9]	9
2851-96	B	1/3	1	ODP	115/230	8/4	1	1	17.6 [44.7]	6.0 [15.2]	9.8 [24.8]	39
4292-96	C	1/2	1	ODP	115	10	1	1	16.1 [40.8]	6.5 [16.5]	8.7 [22.0]	30

(\*) Standard NPT (Female) pipe thread.

(\*\*) This dimension may vary due to motor manufacturer's specifications.

NOTE: Dimensions are in inches (centimeters) and have a tolerance of  $\pm 1/4"$

Maximum Solids Handling Capacity: 1/8" Diameter

## Standard Features

### Model 4292-96

- Cast Aluminum Construction
- Buna-N Mechanical Seal and O-ring
- 1" NPT Suction and Discharge Ports
- Maximum Working Pressure 75 PSI
- 1/2 HP NEMA 56J Open Drip Proof (ODP) Motor with 8 Ft. 115 VAC Power Cord
- Maximum Temperature 180° F
- Maximum Suction Lift 6 Ft.
- (2) NPT Garden Hose Adapters and Carry Handle Included
- QSP - Quick Ship Pump

### Model 2851-96

- Aluminum Construction
- Viton® Mechanical Seal and O-ring
- 1" NPT Suction and Discharge Ports
- Maximum Working Pressure 75 PSI
- 1/3 HP Open Drip Proof (ODP) Motor with 8 Ft. 115 VAC Power Cord
- Maximum Temperature 180° F
- Self-cleaning Impeller
- Maximum Suction Lift 15 Ft.
- (2) NPT Garden Hose Adapters, Base and Carry Handle Included
- QSP - Quick Ship Pump

### Model 4851-97

- Cast Bronze Construction
- Buna-N Mechanical Seal and O-ring
- 3/4" NPT Suction and Discharge Ports
- Maximum Working Pressure 50 PSI
- 1/8 HP, 12 Volt DC Motor
- Maximum Temperature 180° F
- Maximum Suction Lift 4 Ft.
- QSP - Quick Ship Pump

**Hazardous Duty/Explosion Proof motors available from stock ranging from 1 to 10 HP; CALL FOR QUOTATION & LEAD TIME!**



PUMP SUPPLY  
INCORPORATED

