

SALES AND ENGINEERING DATA

RATIO SERIES:	1:1
FLUID PSIG RANGE:	10 - 100

66630X-XXX-C, 66632X-XXX-C and 6663GE-XXX-C 3" METALLIC DIAPHRAGM PUMP



RELEASED: 3-21-06
REVISED: 3-10-23
(REV: G) S-1363

SPECIFICATIONS

Model Series	6663XX-XXX-C
Pump Type	Metallic, Air Operated, Double Diaphragm
Ratio	1:1
Material Inlet / Outlet (female)	
66630X-XXX-C	3 - 8 NPTF - 2
66632X-XXX-CA	Rp 3 (3 - 11 BSP parallel)
6663GE-XXX-C	3" Hybrid ANSI / DIN / JIS RF Flange
Air Inlet (female)	3/4 - 14 NPTF - 2
Air Exhaust (female)	1-1/4 -11-1/2NPTF -2
Weight	
6663X0-XXX-C	109.84 lbs (49.82 kgs)
6663X1-XXX-C	222.21 lbs (100.79 kgs)
6663X2-XXX-C	213.08 lbs (96.65 kgs)
6663XA-XXX-C	109.84 lbs (49.82 kgs)
6663XB-XXX-C	222.21 lbs (100.79 kgs)
6663XC-XXX-C	213.08 lbs (96.65 kgs)
6663GE-XXX-C	244.82 lbs (111.05 kgs)
Air Section Service Kit	637434
Fluid Section Service Kit	637433-XX

PERFORMANCE

Air Inlet Pressure Range	10 - 100 psig (0.69 - 6.9 bar)
Maximum Material Inlet Pressure	10 psig (0.69 bar)
Fluid Pressure Range	10 - 120 psig (.69 - 6.9 bar)
Maximum Flow Rate (flooded inlet)	237 gpm (897.0 lpm)
Displacement / Cycle @ 100 psig	2.65 gal. (10.03 lit.)
Maximum Particle Size	3/8" (9.5 mm)
Maximum Temperature Limits (diaphragm / ball / seat material)	
E.P.R. / EPDM	-60° to 280° F (-51° to 138° C)
Hytre [®]	-20° to 180° F (-29° to 82° C)
Nitrile.....	10° to 180° F (-12° to 82° C)
PVDF	10° to 200° F (-12° to 93° C)
PTFE	40° to 225° F (4° to 107° C)
Santoprene [®]	-40° to 225° F (-40° to 107° C)
Viton [®]	-40° to 350° F (-40° to 177° C)
Noise Level @ 70 psig - 60 cpm^①	86.3 dB(A) ^②

Note:
 ① Tested with 94810 muffler installed.
 ② The pump sound pressure level has been updated to an Equivalent Continuous Sound Level (LA_{eq}) to meet the intent of ANSI S1. 13-1971, CAGI-PNEUROF S5.1 using four microphone locations.

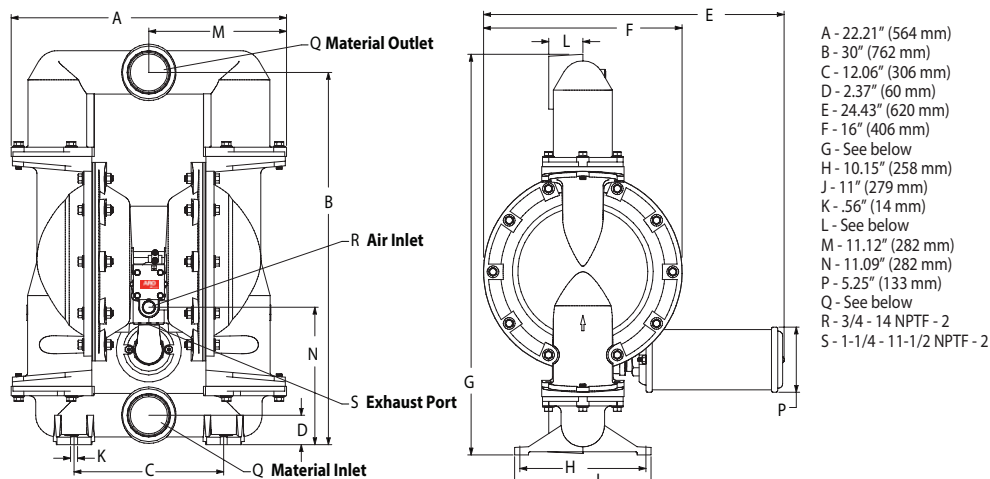
ACCESSORIES: 66312 Air Line Connection Kit

6663XX - XXX - C
637433 - XXX - C
 Ball Material | Diaphragm Material

Example: Model 666300-1EB-C
 Fluid Section Service Kit is 637433-EB

DIMENSIONAL DATA

66630X-XXX-C, 66632X-XXX-C

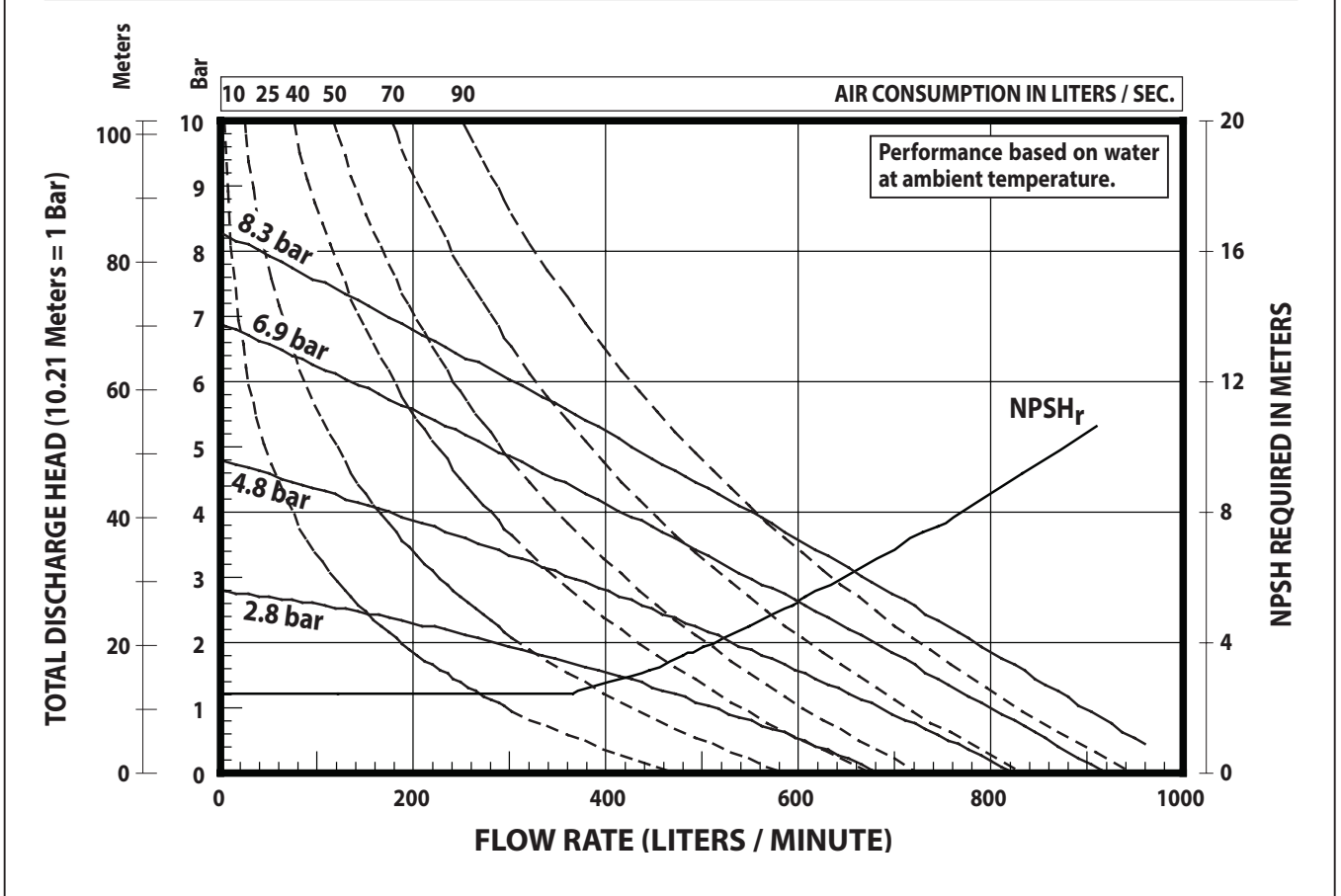
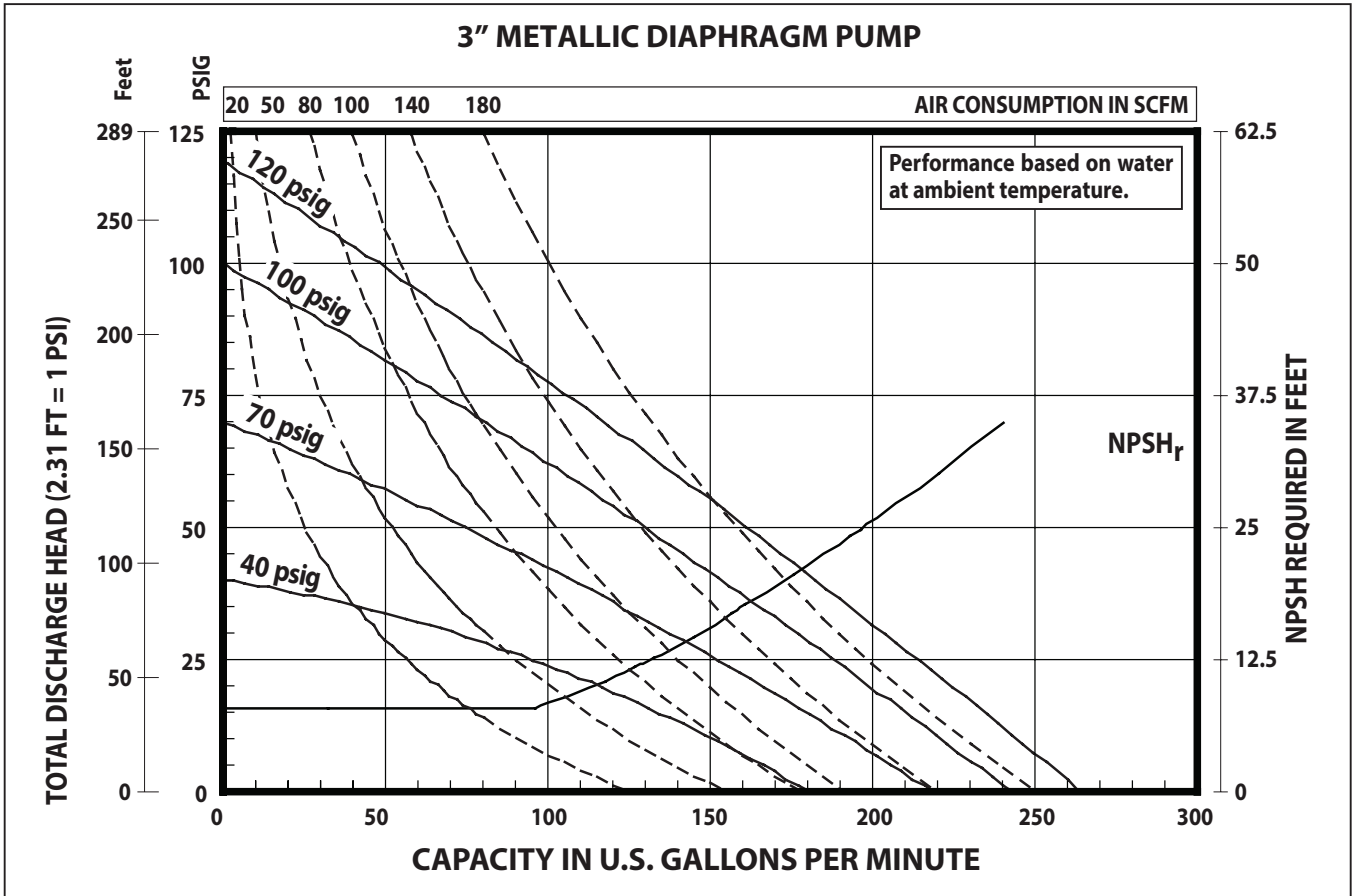


Dimensions shown are for reference only, they are displayed in inches and millimeters (mm).

Model	"G"	"L"	Model	"G"	"L"	Model	"Q"
6663X0-XXX-C	32.28" (820 mm)	2.75" (70 mm)	6663XA-XXX-C	32.28" (820 mm)	2.75" (70 mm)	666300-XXX-C	3 - 8 NPTF - 2
6663X1-XXX-C	32.18" (817 mm)	2.62" (67 mm)	6663XB-XXX-C	32.18" (817 mm)	2.62" (67 mm)	666320-XXX-C	Rp 3
6663X2-XXX-C	32.28" (820 mm)	2.75" (70 mm)	6663XC-XXX-C	32.28" (820 mm)	2.75" (70 mm)		(3 - 11 BSP, parallel)



PERFORMANCE CURVES





PUMP SUPPLY
INCORPORATED

Illinois Location:
(847) 841-7867
860 Church Rd Elgin, IL 60120

Minnesota Location:
(651) 758-7867
330 Mill Bay South Suite
Afton, MN 55001

PumpSupplyInc.com



The complex block contains contact information for two locations. On the left, the Illinois location is listed with phone number (847) 841-7867 and address 860 Church Rd Elgin, IL 60120. Below it, the Minnesota location is listed with phone number (651) 758-7867 and address 330 Mill Bay South Suite, Afton, MN 55001. The website PumpSupplyInc.com is listed at the bottom left. On the right, there is a map showing the outlines of Illinois and Minnesota. A star is placed in the western part of Illinois, and another star is placed in the western part of Minnesota. Below the map is the company logo, which consists of a blue triangle containing the letters 'P' and 'S' in white, followed by the text 'PUMP SUPPLY INCORPORATED' in a bold, sans-serif font.