

SALES AND ENGINEERING DATA

RATIO SERIES:	1:1
FLUID PSIG RANGE:	10 - 120

66625X-XXX-C and 66627X-XXX-C 2" METALLIC DIAPHRAGM PUMP

RELEASED: 3-21-06
REVISED: 3-10-23
(REV: J) S-1362



SPECIFICATIONS

Model Series	6662XX-XXX-C
Pump Type	Metallic, Air Operated, Double Diaphragm
Ratio	1:1
Material Inlet / Outlet (female)	
66625X-XXX-C	2 - 11-1/2 NPTF - 2
66627X-XXX-C	Rp 2 (2 - 11 BSP parallel)
6662GE-XXX-C	2" Hybrid ANSI / DIN / JIS RF Flange
Air Inlet (female)	3/4 - 14 NPTF - 2
Air Exhaust (female)	1-1/4 - 11-1/2 NPTF - 2
Weight	
6662X0-XXX-C	65.15 lbs (29.55 kgs)
6662X1-XXX-C	125.44 lbs (56.9 kgs)
6662X2-XXX-C	124.30 lbs (56.38 kgs)
6662XA-XXX-C	65.15 lbs (29.55 kgs)
6662XB-XXX-C	125.44 lbs (56.9 kgs)
6662XC-XXX-C	124.30 lbs (56.38 kgs)
6662GE-XXX-C	147.15 lbs (66.75 kgs)
Air Section Service Kit	637434
Fluid Section Service Kit	637432-XX
Composite PTFE Diaphragm Kit ..	48497374

PERFORMANCE

Air Inlet Pressure Range	10 - 120 psig (0.69 - 8.3 bar)
Maximum Material Inlet Pressure	10 psig (0.69 bar)
Fluid Pressure Range	10 - 120 psig (0.69 - 8.3 bar)
Maximum Flow Rate (flooded inlet) ..	172 gpm (651.0 lpm)
Displacement / Cycle @ 100 psig	
Standard Diaphragm	1.35 gal. (5.12 lit.)
Composite PTFE Diaphragm ..	0.86 gallon (3.3 litres)
Maximum Particle Size	1/4" dia. (6.4 mm)
Maximum Temperature Limits (diaphragm / ball / seat material)	
E.P.R / EPDM	-60° to 280° F (-51° to 138° C)
Hytre [®]	-20° to 180° F (-29° to 82° C)
PDVF	10° to 200° F (-12° to 93° C)
Nitrile	10° to 180° F (-12° to 82° C)
Santoprene [®]	-40° to 225° F (-40° to 107° C)
PTFE	40° to 225° F (4° to 107° C)
Composite PTFE	14° to 194° F (-10° to 90° C)
Viton [®]	-40° to 350° F (-40° to 177° C)
Noise Level @ 70 psig - 60 cpm^① ..	85.3 dB(A) ^②

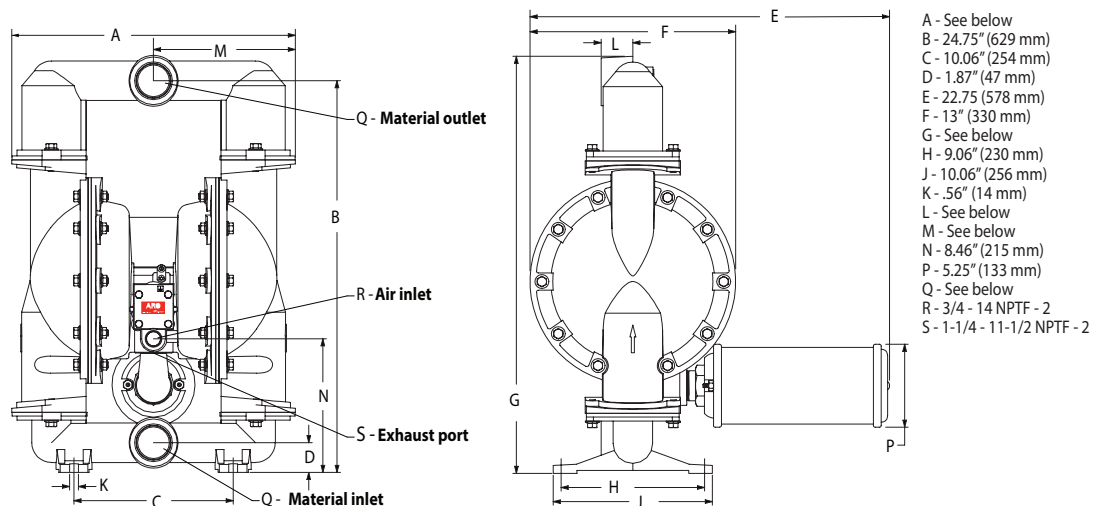
6662XX - XXX - C
637432 - XX - C
Ball Material | Diaphragm Material
Example: Model 666250-1EB-C
Fluid Section Service Kit is 637432-EB

- ① Tested with 94810 muffler assembly installed.
- ② The pump sound pressure level has been updated to an Equivalent Continuous Sound Level (LA_{eq}) to meet the intent of ANSI S1. 13-1971, CAGI-PNEUROP S5.1 using four microphone locations.

ACCESSORIES: 66312 Air Line Connection Kit

DIMENSIONAL DATA

6662XX-XXX-C

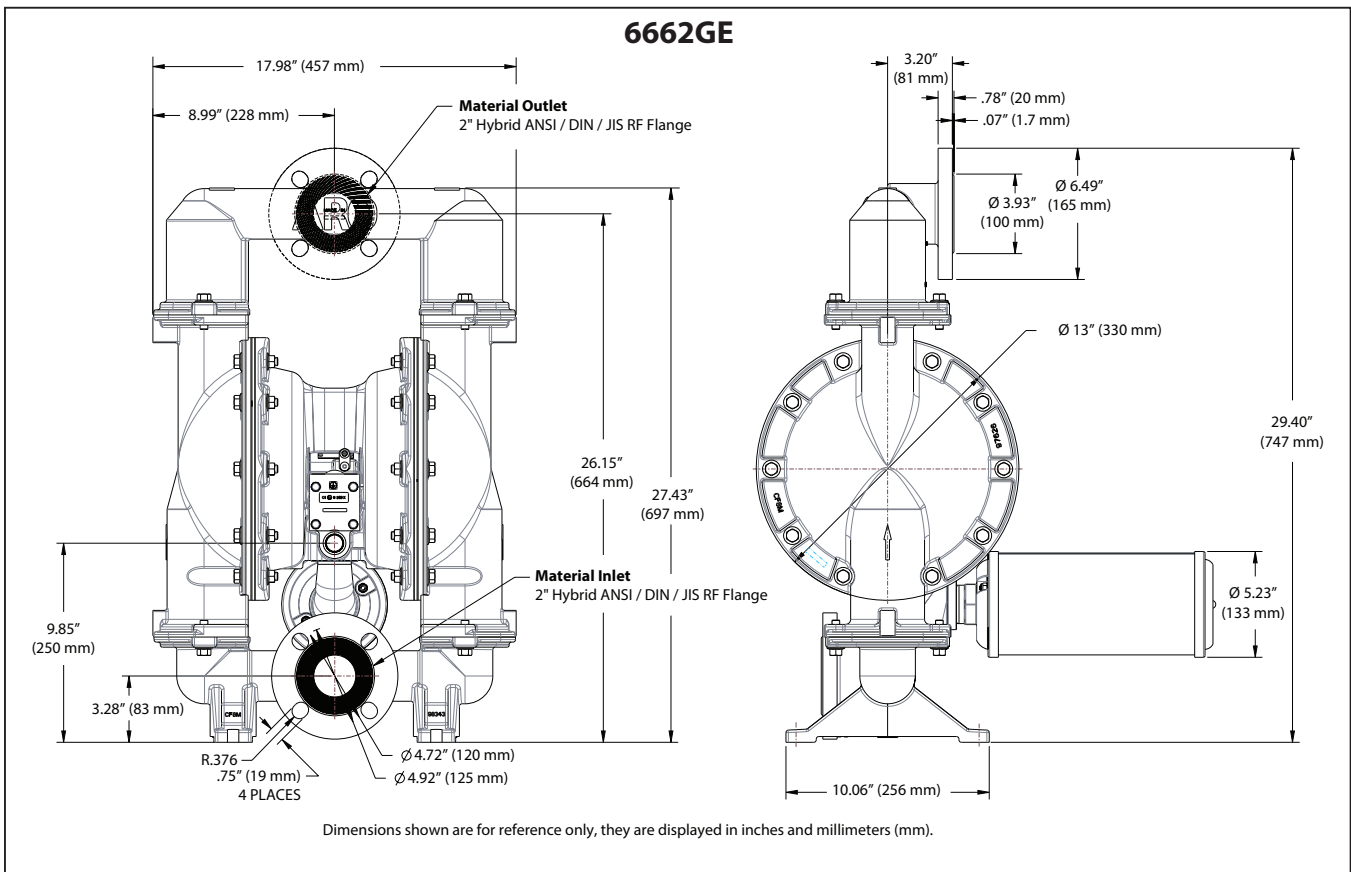


Dimensions shown are for reference only, they are displayed in inches and millimeters (mm).

Model	"A"	"G"	"L"	"M"	Model	"Q"
6662X0-XXX-C	17.93" (455.1 mm)	26.37" (669 mm)	2" (50.8 mm)	8.87" (227.6 mm)	666250-XXX-C	2 - 11-1/2 NPTF - 2
6662X1-XXX-C	17.90" (454.6 mm)	26.25" (666.75 mm)	1.87" (47.6 mm)	8.93" (227.3 mm)	666270-XXX-C	Rp 2 (2 - 11 BSP, parallel)
6662X2-XXX-C	17.93" (455.1 mm)	26.37" (669 mm)	2" (50.8 mm)	8.87" (227.6 mm)		
6662XA-XXX-C	17.93" (455.1 mm)	26.37" (669 mm)	2" (50.8 mm)	8.87" (227.6 mm)		
6662XB-XXX-C	17.90" (454.6 mm)	26.25" (666.75 mm)	1.87" (47.6 mm)	8.93" (227.3 mm)		
6662XC-XXX-C	17.93" (455.1 mm)	26.37" (669 mm)	2" (50.8 mm)	8.87" (227.6 mm)		



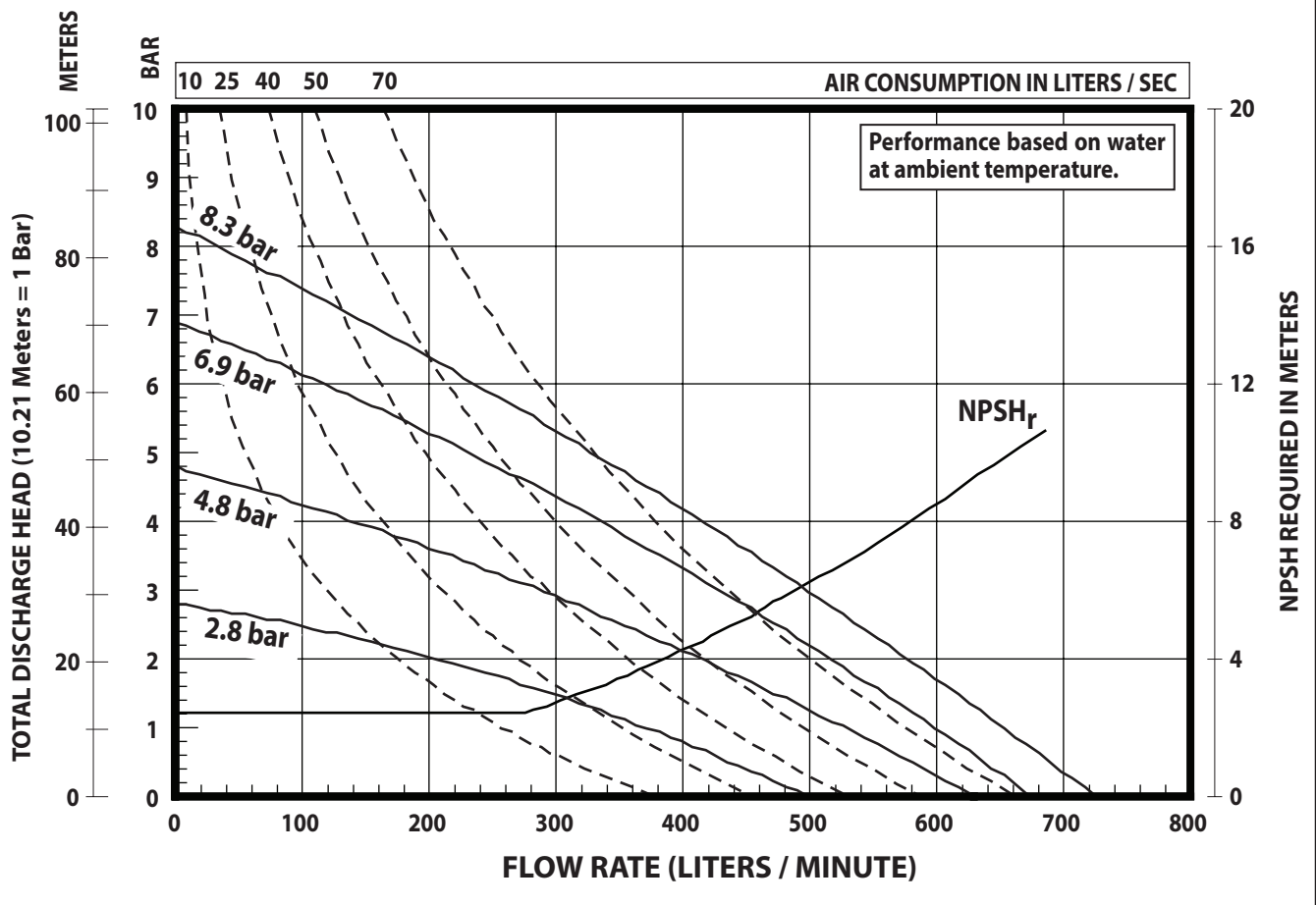
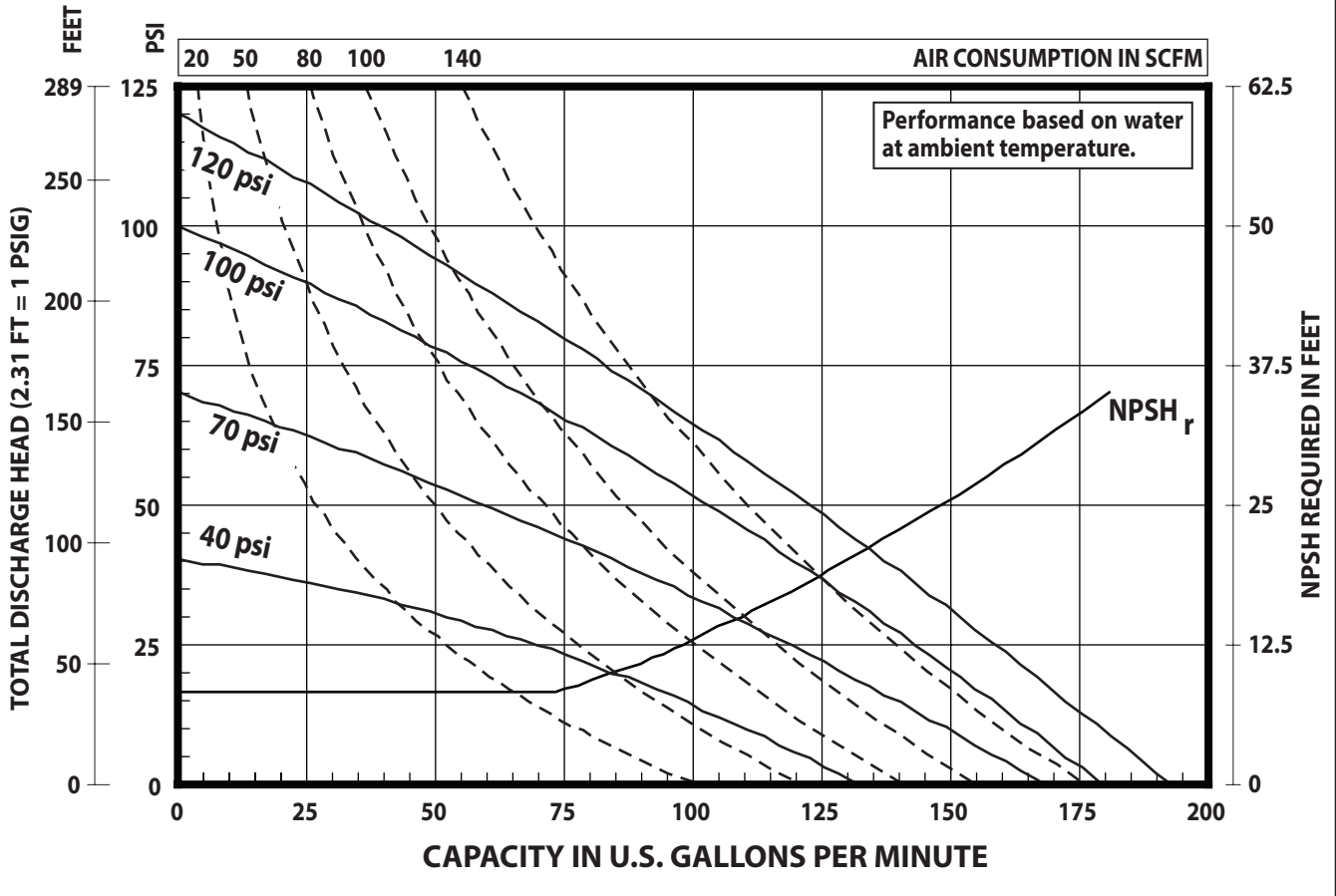
DIMENSIONAL DATA



<p>Illinois Location: (847) 841-7867 860 Church Rd Elgin, IL 60120</p>	<p style="text-align: center;">PUMP SUPPLY INCORPORATED</p>
<p>Minnesota Location: (651) 758-7867 330 Mill Bay South Suite 100 Afton, MN 55001</p>	
<p>PumpSupplyInc.com</p>	

PERFORMANCE CURVES


66625X-XXX-C / 66627X-XXX-C 2" METALLIC DIAPHRAGM PUMP



Illinois Location:
(847) 841-7867
860 Church Rd Elgin, IL 60120

Minnesota Location:
(651) 758-7867
330 Mill Bay South Suite
Afton, MN 55001

PumpSupplyInc.com



The complex block contains contact information for two locations. On the left, the Illinois location is listed with phone number (847) 841-7867 and address 860 Church Rd Elgin, IL 60120. Below it, the Minnesota location is listed with phone number (651) 758-7867 and address 330 Mill Bay South Suite, Afton, MN 55001. The website PumpSupplyInc.com is listed at the bottom left. On the right, there is a map showing the outlines of Illinois and Minnesota. A star is placed in the western part of Illinois, and another star is placed in the western part of Minnesota. Below the map is the Pump Supply Incorporated logo, which consists of a blue triangle containing the letters 'P' and 'S' in white, followed by the text 'PUMP SUPPLY' in a large, bold, sans-serif font, and 'INCORPORATED' in a smaller, spaced-out, sans-serif font below it.