

SALES & ENGINEERING DATA

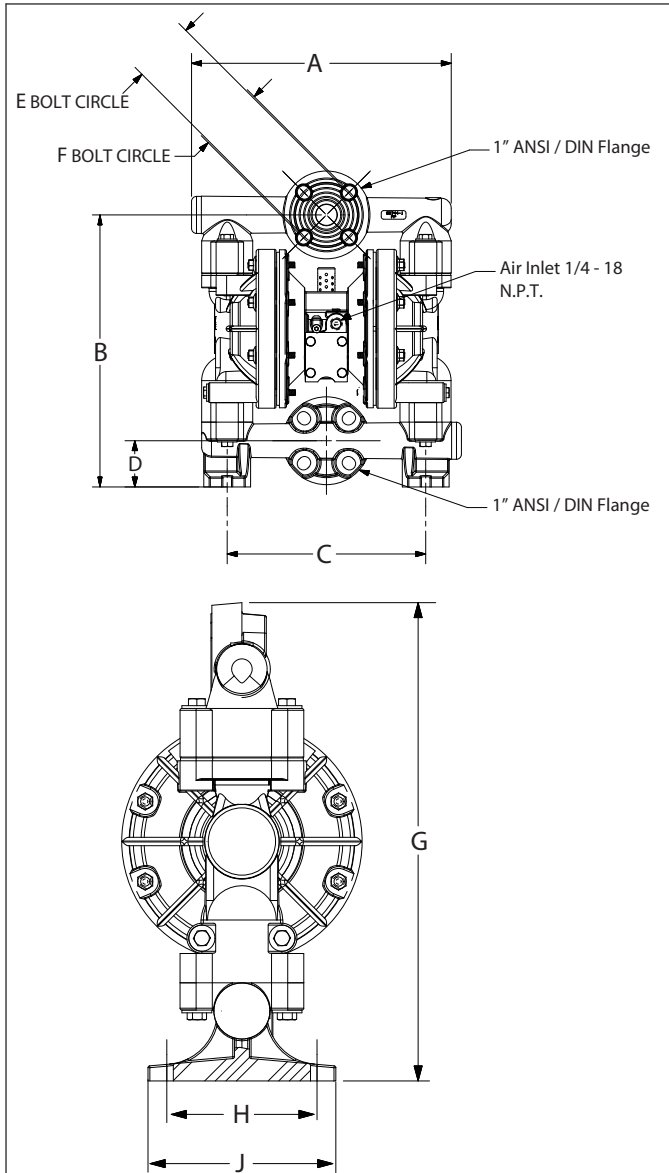
RATIO SERIES: 1:1

FLUID P.S.I. RANGE: 20 - 120

6661AX-XXX-C THRU 6661BX-XXX-C 1" NON-METALLIC DIAPHRAGM PUMP

RELEASED: 1-31-97
REVISED: 9-23-15
REV: F S-873

DIMENSIONAL DATA



DIMENSIONS

- | | | |
|----------------------|------------------------------------|--------------------|
| A 13-3/16" (334 mm) | E 3-2/16" to 3-5/16" (80 to 83 mm) | |
| B 13-13/16" (351 mm) | F 8-1/16" (204 mm) | |
| C 10-1/16" (255 mm) | G 16" (406 mm) | |
| D 2-3/8" (60 mm) | H 16" (406 mm) | J 6-5/16" (160 mm) |

NOTE: Dimensions are shown in inches and (mm), supplied for reference only and are typically rounded up to the nearest 1/16 inch.

FLANGES ARE SLOTTED FOR USE WITH EITHER 1" ANSI OR 1" DIN FLANGES

SPECIFICATIONS

CONSTRUCTION

- Model Series** 6661AX-XXX-C thru 6661BX-XXX-C
Pump Type Non-Metallic, Air Operated, Double Diaphragm
Ratio 1:1
Material Inlet / Outlet 1" Flange, ANSI Class 150/DIN
Air Inlet (female) 1/4 - 18 N.P.T.
Air Exhaust (female) 3/8 - 18 N.P.T.F. - 1
Weight 6661A3-3XX-C 20.25 lbs (9.2 kgs)
 6661A4-4XX-C 28.5 lbs (12.9 kgs)
 6661B3-3XX-C 28.8 lbs (13.06 kgs)
 6661B4-4XX-C 37 lbs (16.78 kgs)
Air Section Service Kit 637118-C
Fluid Section Service Kit 637161-XX-C
Composite PTFE Diaphragm Kit 48495964

6661AX - X - C
 637161 - - C
 Diaphragm Material
 Ball Material

EXAMPLE: Model 6661A3-311-C
 Fluid Section Service Kit is 637161-11-C

PERFORMANCE

- Air Inlet Pressure Range** 20 - 120 p.s.i. (1 - 8.3 bar)
Maximum Material Inlet Pressure ... 10 p.s.i. (0.69 bar)
Fluid Pressure Range 20 - 120 p.s.i. (1 - 8.3 bar)
Maximum Flow Rate (flooded inlet) 47 g.p.m. (178 l.p.m.)
Maximum Particle Size 1/8" dia. (3.2 mm)
Maximum Temperature Limits
 Polypropylene 35° to 175° F (-2° to 79° C)
 Kynar (PVDF) 10° to 200° F (-12° to 93° C)
Composite PTFE 14° to 194° F (-10° to 90° C)
Displacement / Cycle @ 100 p.s.i. 0.17 gal. (.64 lit.)
Noise Level @ 70 p.s.i. - 60 c.p.m. ① .. 64.5 dB(A) ②

① Tested with muffler installed.

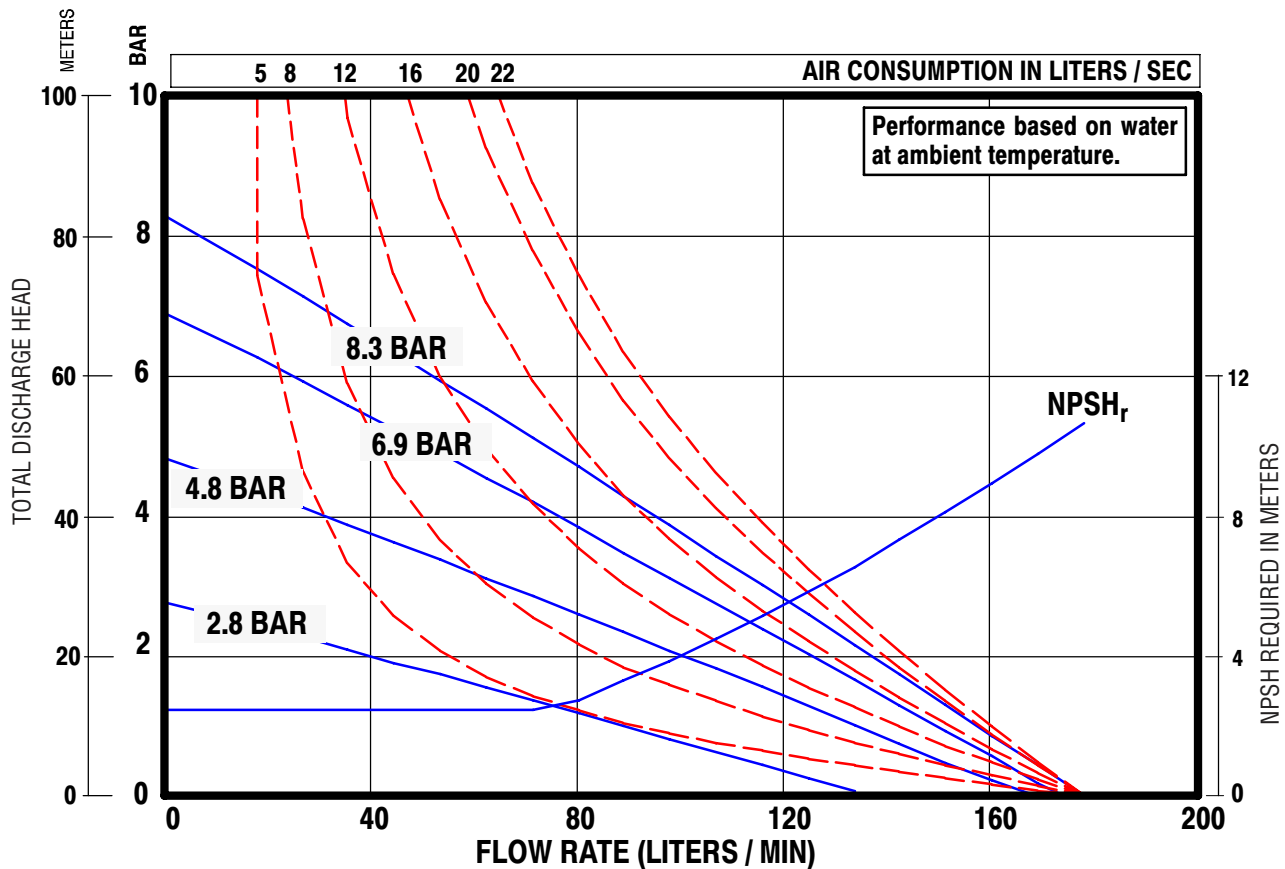
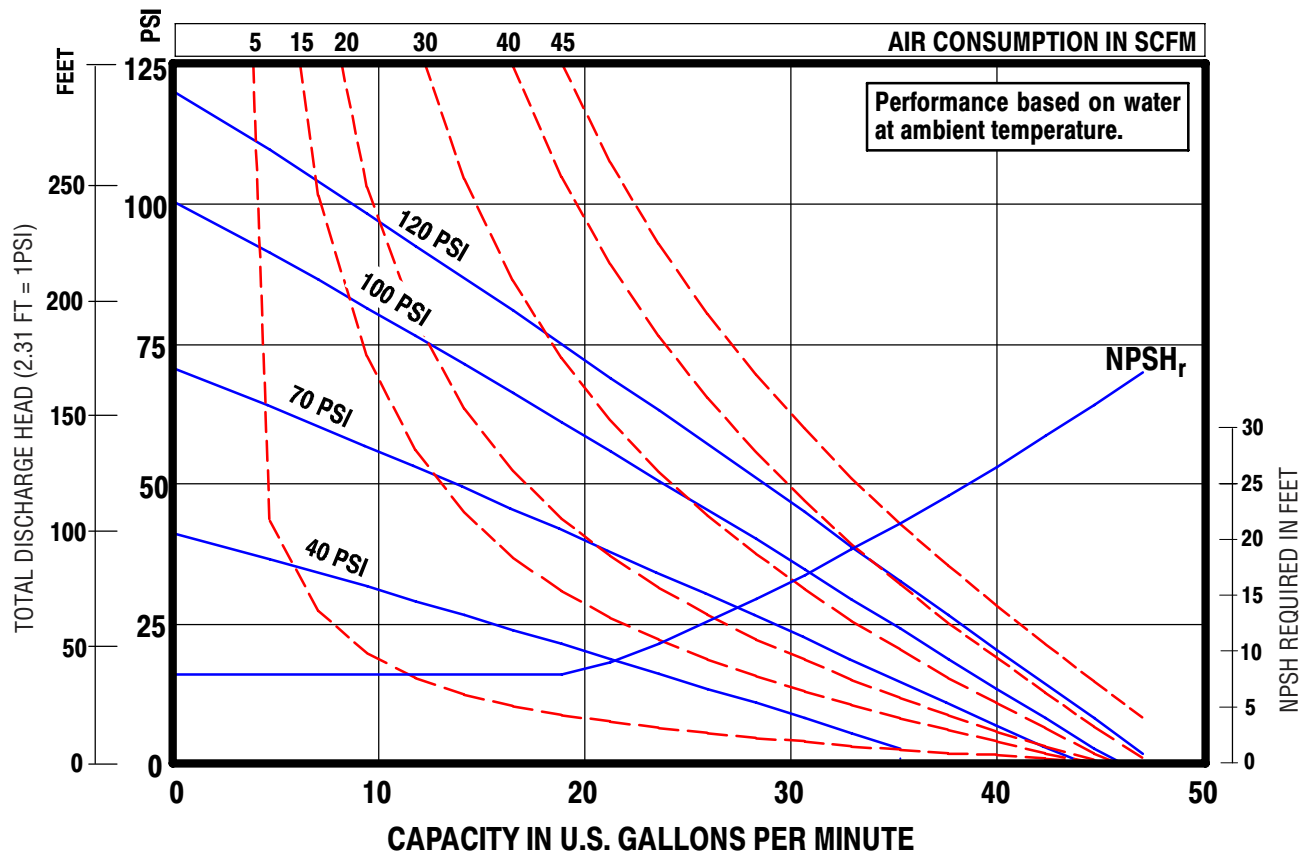
② The pump sound pressure level has been updated to an Equivalent Continuous Sound Level (L_{Aeq}) to meet the intent of ANSI S1. 13-1971, CAGI-PNEUROP S5.1 using four microphone locations.

ACCESSORIES:

- 65010 Neoprene "O" Ring Air Motor Kit
- 65764 Viton "O" Ring Air Motor Kit
- 66073-1 Air Line Kit
- 67078 Flange Kit

PERFORMANCE CURVES

6661XX-XXX-C 1" NON-METALLIC DIAPHRAGM PUMP



6661AX-X-C SERIES

