

1" Non-Metallic Models



PRO SERIES PUMPS

ARO® PRO 1" non-metallic diaphragm pumps are a versatile solution for numerous applications. Our PRO 1" models achieve flow rates of up to 47 GPM (178 LPM) and offer a wide array of material and porting configurations. These pumps are often used for transfer, filling, recirculation and supply in Chemical, Industrial and Water/Wastewater treatment markets.

Ratio:	1:1
Maximum Flow gpm (lpm):	47 (177.9)
Displacement per cycle gal (l):	.17 (0.64)
Air Inlet: (Female)	1/4 - 18 NPT
Fluid Inlet/Outlet:	1 - 11-1/2 NPTF - 1 Rp 1 (1 - 11 BSP, parallel) 1" ANSI/DIN Hybrid Center Flange
Max. operating pressure psi (bar):	120 (8.3)
Suspended solids max. dia in (mm):	.125 (3.2)
Weight lbs (kg):	6661A3-, 1A _F -, 1A _J -, 1A _L - 20.3 (9.2) 6661B3-, 1B _F -, 1B _J -, 1B _L - 28.8 (13.1)
Maximum dry suction lift ft (m):	15 (4.6)
Sound Level:	70 PSI 60 Cycles/Min 64.5 db(A)



Ordering

Position	1	2		3	4	5		6
Example:	6661X	X	-	X	X	X	-	C

Position 1 Center Body	Position 2 Fluid Caps Manifold Material	Position 3 Seat Material	Position 4 Ball Check Material	Position 5 Diaphragm Material
A - Aluminum B - Cast Iron	3 - Polypropylene ANSI Flange (3-piece manifold) F - Polypropylene Hybrid ANSI/ DIN Flange (one-piece manifold) J - Polypropylene NPT threads (one piece manifold) L - Polypropylene BSP threads (one-piece manifold)	2 - 316 Stainless Steel 3 - Polypropylene 4 - PVDF 8 - Hard 400 Stainless Steel	1 - Neoprene 2 - Nitrile 3 - Viton® 4 - PTFE 5 - EPR 8 - Polyurethane A - 316 Stainless Steel C - Hytrel® E - Santoprene®	1 - Neoprene 2 - Nitrile 3 - Viton® 4 - PTFE/ Santoprene® 5 - EPR 9 - Hytrel® B - Santoprene®

Hytrel® is a registered trademark of DuPont company, Santoprene® is registered trademark of Monsanto and Viton® is a registered trademark of ExxonMobil

Accessories

- Air Line Connection Kit** | 66073-2
(Piggyback Filter/Regulator with gauge, pipe nipple and 5-foot air hose)
- Service Repair Kits** | 637118-C (air section)
637161-XX-C (fluid section)

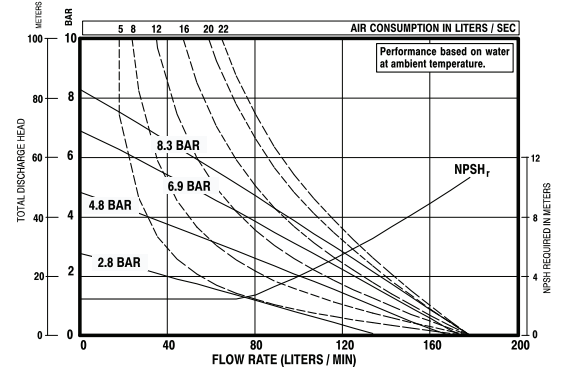
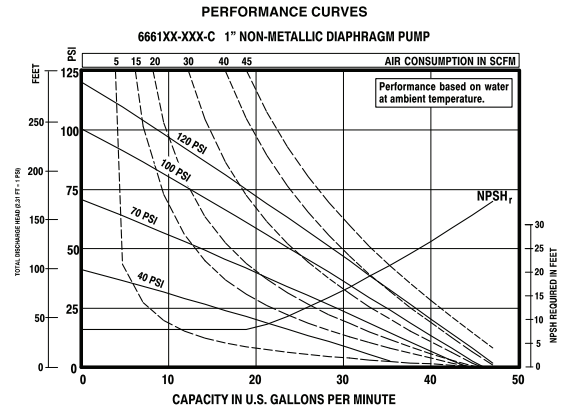
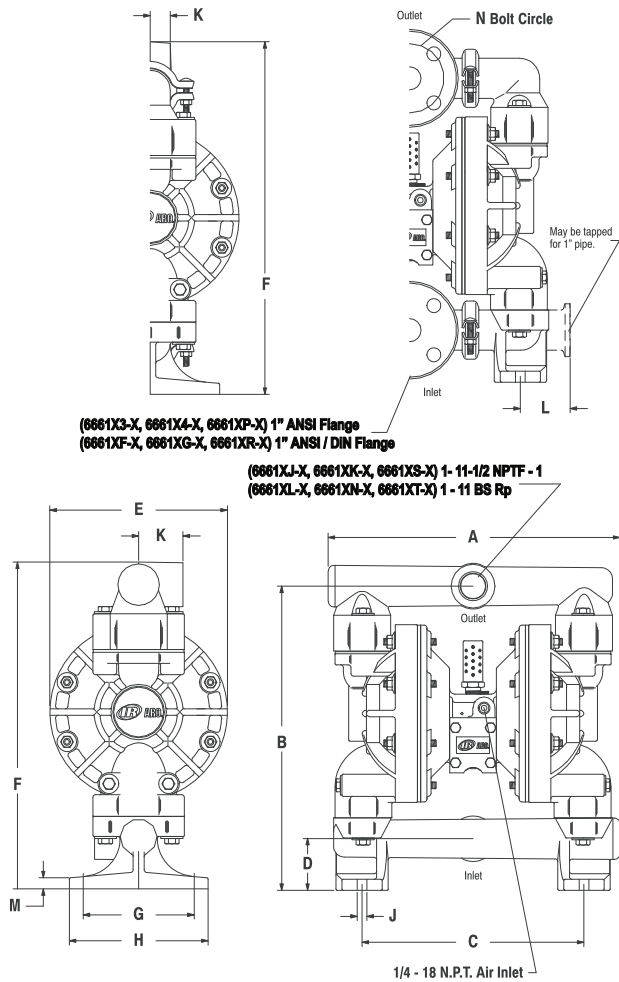
Flange Connection Kit | 67078 Kit meets ANSI specifications. Flange constructed of glass-filled polypropylene. Bolts, washers and nuts are stainless steel. Gasket is 4401 klinger synthetic fiber nitrile binder.



Air Line Connection Kit 66073-2

Flange Connection Kit 67078

1" Non-Metallic Dimensions and Flow Charts



Performance based on an elastomeric fitted pump, flooded suction with water at ambient conditions. Due to varying materials of construction, assembly configurations and operating conditions, published data is for reference only.

DIMENSIONS

	6661X3-X	6661XJ-X 6661XL-X	6661XF-X
A	12-21/32" (321 mm)	13-5/32" (334 mm)	A 13-5/32" (334 mm)
B	13-25/32" (349 mm)	13-25/32" (350 mm)	B 13-25/32" (350 mm)
C	10-1/16" (255 mm)	10-1/16" (255 mm)	C 10-1/16" (255 mm)
D	2-3/8" (60 mm)	2-11/32" (59 mm)	D 2-11/32" (59 mm)
E	8-1/16" (204 mm)	8-1/16" (204 mm)	E 8-1/16" (204 mm)
F	16" (406 mm)	14-13/16" (376 mm)	F 16" (406 mm)
G	5-1/32" (128 mm)	5-1/32" (128 mm)	G 5-1/32" (128 mm)
H	6-9/32" (160 mm)	6-9/32" (160 mm)	H 6-9/32" (160 mm)
J	7/16" (11 mm)	7/16" (11 mm)	J 7/16" (11 mm)
K	15/16" (23 mm)	2" (51 mm)	K 1-1/32" (26 mm)
L	2-9/32" (57 mm)		L
M	1/2" (13 mm)	1/2" (13 mm)	M 1/2" (13 mm)
N	3.140" (80 mm)		N 3.140" (80 mm)
	6661XK-X		
	6661XN-X		



PUMP SUPPLY
INCORPORATED