

# SALES & ENGINEERING DATA

RATIO SERIES: **1:1**

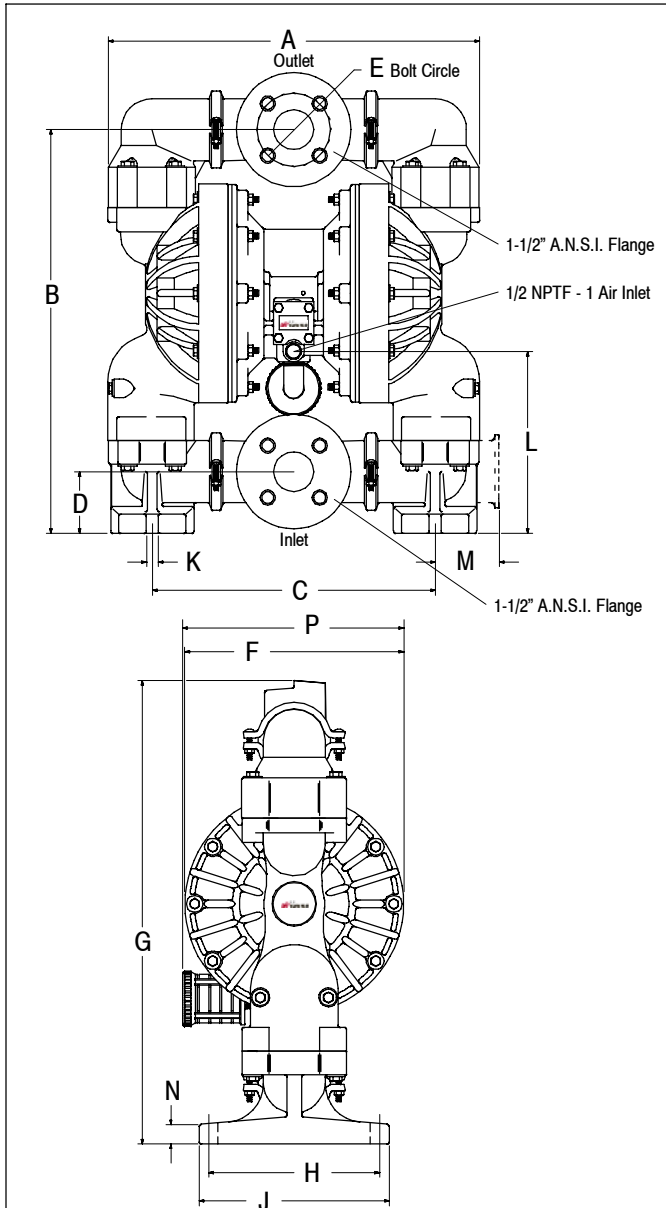
FLUID P.S.I. RANGE: **20 - 120**

## 6661T3-XXX-C THRU 6661U4-XXX-C

### 1-1/2" NON-METALLIC DIAPHRAGM PUMP

RELEASED: 1-10-97  
 REVISED: 12-12-12  
 (REV. E) S-876

#### DIMENSIONAL DATA



#### DIMENSIONS

A	19-1/2" (495)	F	11-1/2" (292)	L	9-5/8" (244)
B	21-5/16" (541)	G	24-1/2" (622)	M	3-3/8" (86)
C	14-15/16" (379)	H	9" (229)	N	1-1/16" (27)
D	3-1/4" (83)	J	10-1/16" (256)	P	11-11/16" (297)
E	3-7/8" (98)	K	5/8" (16)		

NOTE: Dimensions are shown in inches and (mm), supplied for reference only and are typically rounded up to the nearest 1/16 inch.

#### SPECIFICATIONS

##### CONSTRUCTION

<b>Model Series</b>	6661T3-XXX-C thru 6661U4-XXX-C
<b>Pump Type</b>	Non-Metallic, Air Operated, Double Diaphragm
<b>Ratio</b>	1:1
<b>Material Inlet / Outlet</b>	1-1/2" A.N.S.I. Class 150 Flange
<b>Air Inlet (female)</b>	1/2 - 14 N.P.T.F. - 1
<b>Air Exhaust (female)</b>	3/4 - 14 N.P.T.F. - 1
<b>Weight</b>	6661T3-XXX-C ..... 62 lbs (28.1 kgs) 6661T4-XXX-C ..... 92 lbs (41.7 kgs) 6661U3-XXX-C ..... 85 lbs (38.6 kgs) 6661U4-XXX-C ..... 115 lbs (52.2 kgs)
<b>Air Section Service Kit</b>	637118-C
<b>Fluid Section Service Kit</b>	637165-XX
<b>Composite PTFE Diaphragm Kit</b>	48496806

6661T3 - X X X -C  
 637165 - X X  
 Diaphragm Material  
 Ball Material

EXAMPLE: Model 6661T3-344-C  
 Fluid Section Service Kit is 637165-44

##### PERFORMANCE

<b>Air Inlet Pressure Range</b>	20 - 120 p.s.i. (1 - 8.3 bar)
<b>Fluid Pressure Range</b>	20 - 120 p.s.i. (1 - 8.3 bar)
<b>Maximum Flow Rate (flooded inlet)</b>	100 g.p.m. (378.5 l.p.m.)
<b>Maximum Particle Size</b>	1/4" dia. (6.4 mm)
<b>Maximum Temperature Limits (diaphragm / ball / seal material)</b>	
E.P.R.	-60° to 280° F (-51° to 138° C)
Hytrel	-20° to 150° F (-29° to 66° C)
Neoprene	0° to 200° F (-18° to 93° C)
Nitrile	10° to 180° F (-12° to 82° C)
Polypropylene	35° to 175° F (2° to 79° C)
Polyurethane	10° to 150° F (-12° to 66° C)
PVDF (Kynar)	10° to 200° F (-12° to 93° C)
Santoprene	-40° to 225° F (-40° to 107° C)
PTFE	40° to 225° F (4° to 107° C)
Composite PTFE	14° to 194° F (-10° to 90° C)
Viton	-40° to 350° F (-40° to 177° C)

**Displacement / Cycle @ 100 p.s.i.**  
 Standard Diaphragm ..... 0.67 gal. (2.54 lit.)  
 Composite PTFE Diaphragm ..... 0.43 gal. (1.63 lit.)

**Noise Level @ 70 p.s.i. - 60 c.p.m.** ① 77.7 db(A)②

#### Notes:

- ① Tested with 93139 muffler installed.
- ② The pump sound pressure level has been updated to an Equivalent Continuous Sound Level (L<sub>Aeq</sub>) to meet the intent of ANSI S1. 13-1971, CAGI-PNEUROPS S5.1 using four microphone locations.

#### ACCESSORIES:

- 65010 Neoprene "O" Ring Air Motor Kit
- 65764 Viton "O" Ring Air Motor Kit
- 66084-1 Air Line Connection Kit



### PERFORMANCE CURVES

#### 6661XX-XXX-C 1-1/2" NON-METALLIC DIAPHRAGM PUMP

